



US00D879204S

(12) **United States Design Patent**
Zhu

(10) **Patent No.:** **US D879,204 S**
(45) **Date of Patent:** **** Mar. 24, 2020**

- (54) **COLLAPSIBLE WAGON**
- (71) Applicant: **MAXTON ENGINEERING LTD.,**
Wan Chai (HK)
- (72) Inventor: **Shou Qiang Zhu,** Wan Chai (HK)
- (73) Assignee: **MAXTON ENGINEERING LTD.,**
Wan Chai (HK)
- (**) Term: **15 Years**
- (21) Appl. No.: **29/625,865**
- (22) Filed: **Nov. 13, 2017**
- (51) **LOC (12) Cl.** **21-01**
- (52) **U.S. Cl.**
USPC **D21/425**
- (58) **Field of Classification Search**
USPC D21/425, 534, 536; D12/105, 106, 133;
D34/12, 27
CPC .. B62B 3/00; B62B 3/02; B62B 3/002; B62B
3/003; B62B 3/007; B62B 3/14; B62B
5/08; B62B 5/082; B62B 5/085; B62B
5/087
See application file for complete search history.

- 10,040,470 B1 * 8/2018 Horowitz B62B 5/0013
- D827,722 S * 9/2018 Sun D21/425
- 10,081,380 B2 * 9/2018 Fitzwater B62B 3/022
- 10,099,711 B1 * 10/2018 Sun B62B 3/007
- 10,099,712 B1 * 10/2018 Sun B62B 5/067
- 10,106,186 B2 * 10/2018 Choi B29C 35/02
- 10,300,933 B2 * 5/2019 DeBry B62B 3/005
- 2003/0025301 A1 2/2003 Banuelos, III

(Continued)

FOREIGN PATENT DOCUMENTS

WO 2014193967 12/2014

Primary Examiner — Cynthia M. Chin

(74) *Attorney, Agent, or Firm* — Liu & Liu

(57) **CLAIM**

The ornamental design for a collapsible wagon, as shown and described.

DESCRIPTION

FIG. 1 is a front perspective view of a collapsible wagon comprising a base frame portion, in accordance with one embodiment of the present invention, showing the handle attached to the collapsible wagon is in an extended state (the rear view of the collapsible wagon being a mirror image of the front view, with the collapsible wagon symmetrical about a median between its front and rear sides); FIG. 2 is a left end perspective view of the collapsible wagon in FIG. 1; FIG. 3 is a right end perspective view of the collapsible wagon in FIG. 1; FIG. 4 is a perspective view of the collapsible wagon in FIG. 1, illustrating the handle attached to the left end of the collapsible wagon is in a retracted state, the shelf at the right end of the collapsible wagon folded up, and the collapsible wagon in a transitional state of collapse; and, FIG. 5 is a front perspective view of the overall frame of the collapsible wagon in FIG. 1, with the flexible basket removed.

1 Claim, 5 Drawing Sheets

(56) **References Cited**

U.S. PATENT DOCUMENTS

- 8,011,686 B2 * 9/2011 Chen B62B 3/007
280/651
- 8,388,015 B2 * 3/2013 Chen B62B 3/007
280/642
- 8,973,940 B2 * 3/2015 Chen B62B 3/02
280/35
- 8,998,011 B2 4/2015 Zhu
- 9,073,564 B2 * 7/2015 Yang B62B 3/02
- 9,085,311 B1 7/2015 Chen
- 9,211,897 B2 12/2015 Yang et al.
- D748,739 S 2/2016 Horowitz
- 9,896,118 B2 * 2/2018 Choi B62B 3/007
- 9,950,729 B2 * 4/2018 Choi B62B 7/06



(56)

References Cited

U.S. PATENT DOCUMENTS

2010/0090444 A1* 4/2010 Chen B62B 3/007
280/651
2011/0204598 A1 8/2011 Stevenson
2015/0145224 A1 5/2015 Zhu
2015/0151771 A1 6/2015 Jin et al.
2016/0082997 A1 3/2016 Horowitz

* cited by examiner

FIG. 1

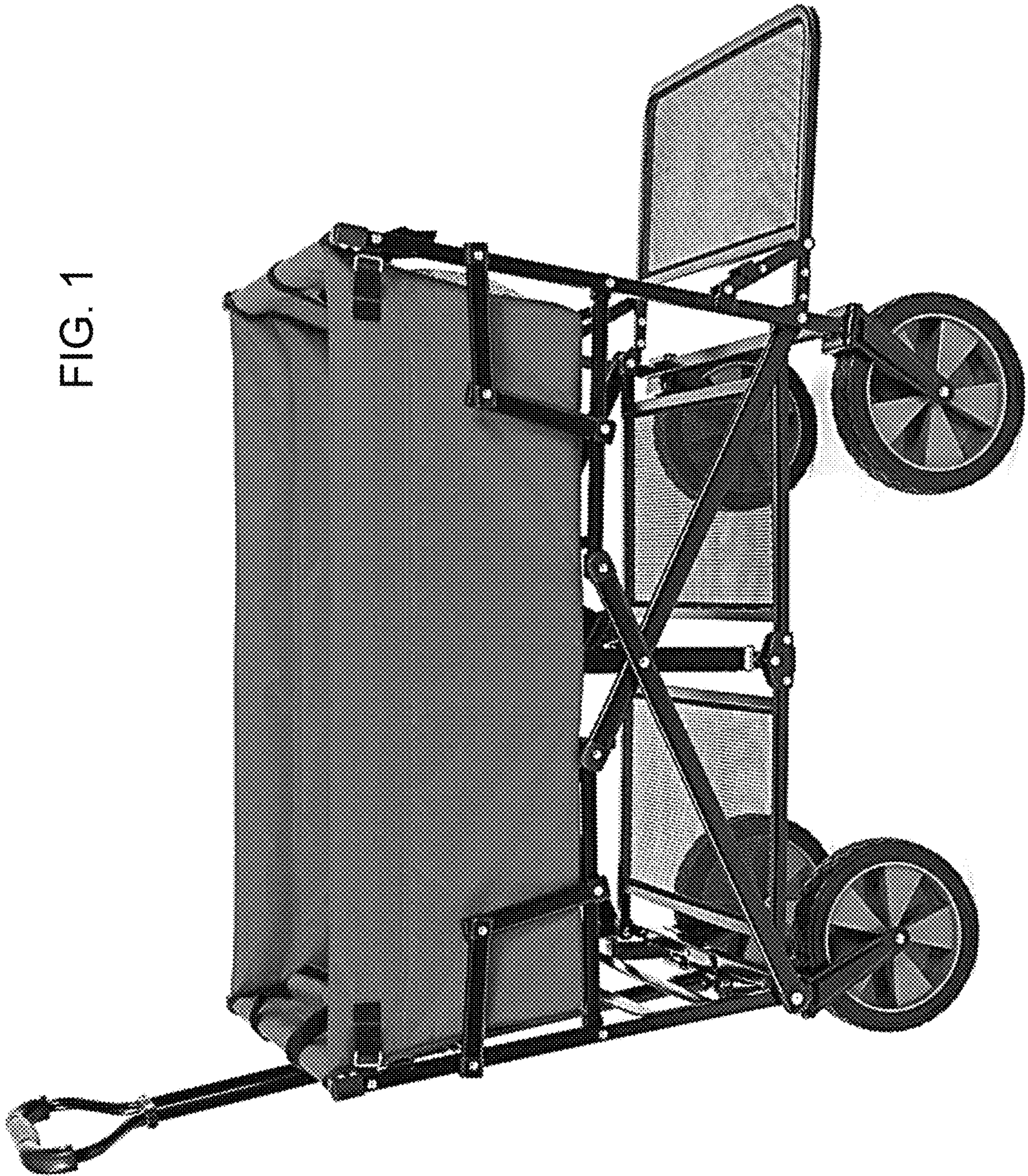
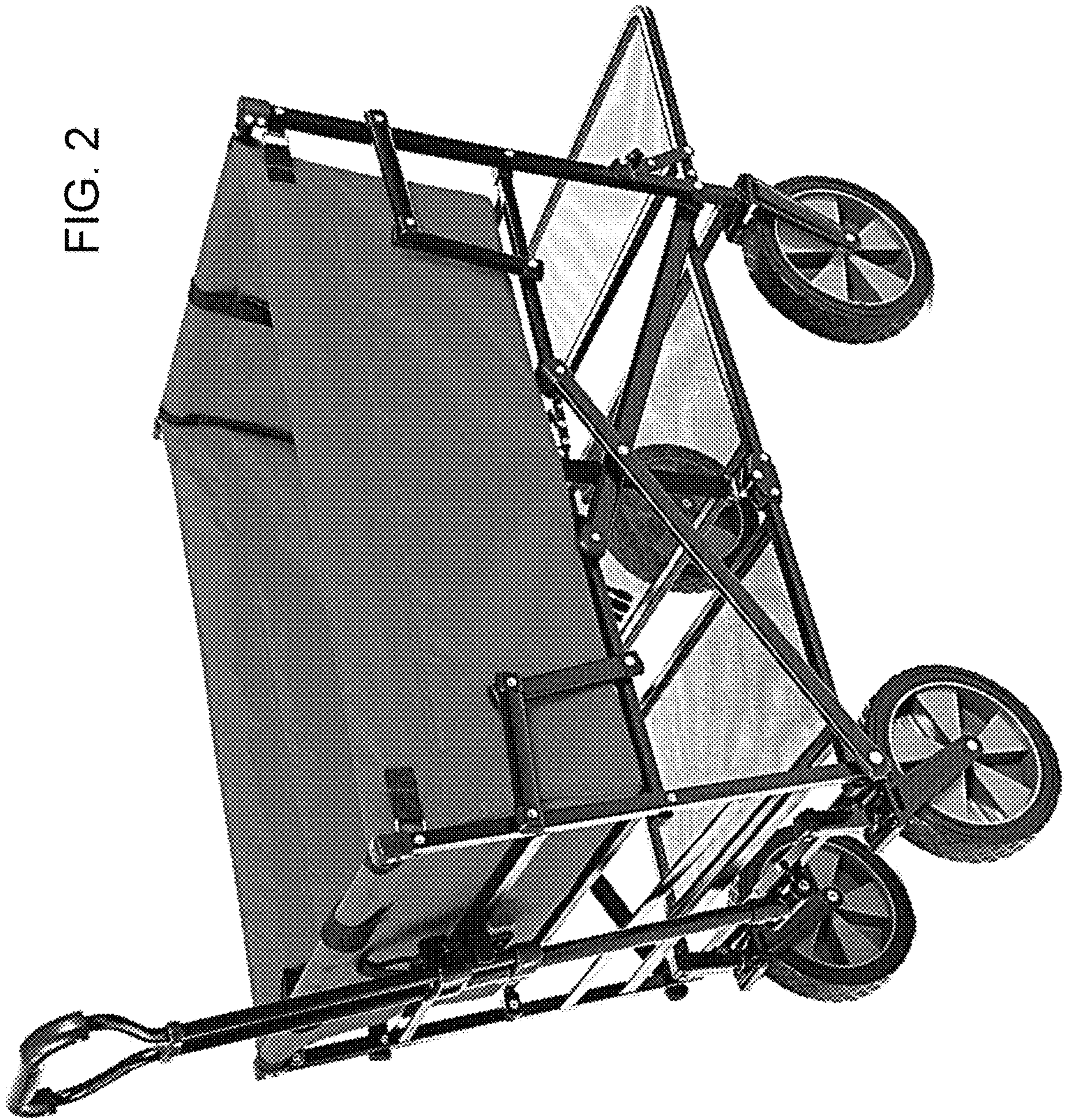


FIG. 2



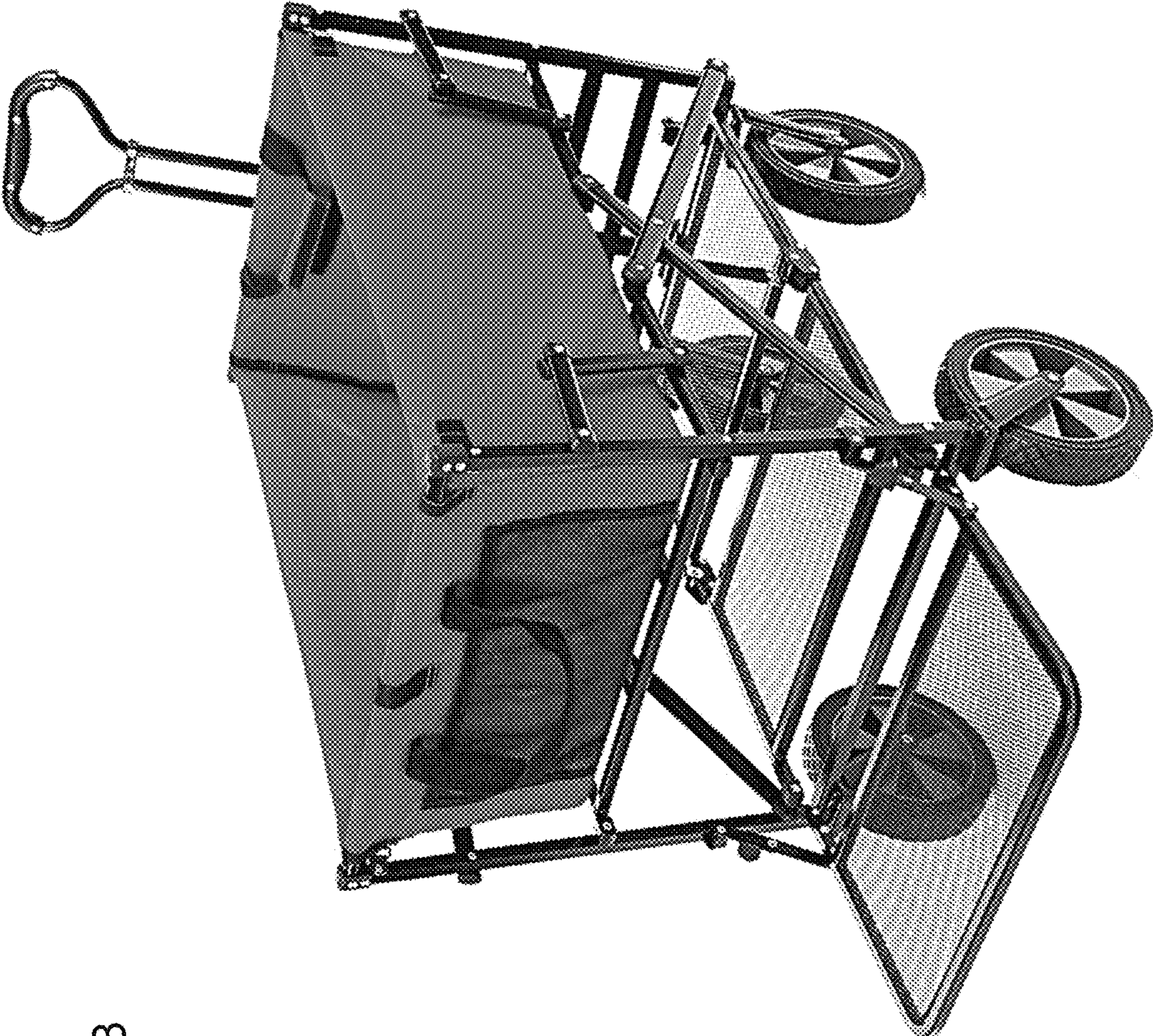


FIG. 3



FIG. 4

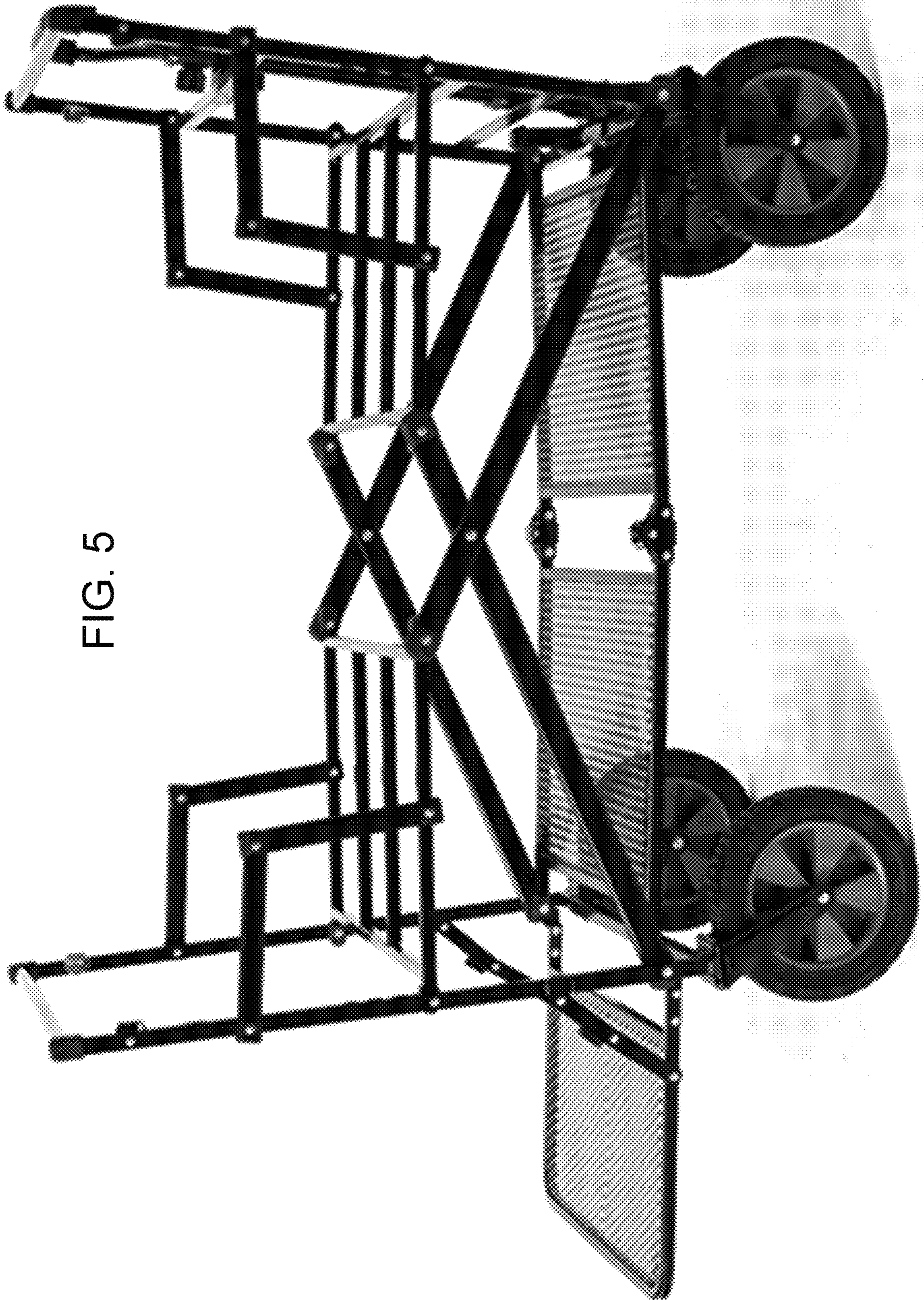


FIG. 5