



US00D879201S

(12) **United States Design Patent**
Desai et al.

(10) **Patent No.:** **US D879,201 S**
(45) **Date of Patent:** **** Mar. 24, 2020**

- (54) **PEN**
- (71) Applicant: **Baron Fig LLC**, Long Island City, NY (US)
- (72) Inventors: **Jay Desai**, New York, NY (US);
Joseph Cofone, New York, NY (US)
- (73) Assignee: **BARON FIG LLC**, Long Island City, NY (US)
- (**) Term: **15 Years**
- (21) Appl. No.: **29/661,169**
- (22) Filed: **Aug. 24, 2018**
- (51) **LOC (12) Cl.** **19-06**
- (52) **U.S. Cl.**
USPC **D19/186**
- (58) **Field of Classification Search**
USPC D19/115-204; D14/411
CPC . B43K 5/005; B43K 7/12; B43K 8/04; B43K 8/06; B43K 19/00; B43K 19/02; B43K 19/14; B43K 21/006; B43K 21/06
See application file for complete search history.

(56) **References Cited**

U.S. PATENT DOCUMENTS

D190,262 S *	5/1961	Schier	D19/177
D283,140 S *	3/1986	Petrillo	D19/173
D425,559 S *	5/2000	Beneyto	D19/173
D523,081 S *	6/2006	Pellissa Beneyto	D19/174
D589,559 S *	3/2009	Slemp	D19/169
D611,538 S *	3/2010	Zhou	D19/173
D614,623 S *	4/2010	Crisp	D14/411
D634,747 S *	3/2011	Wong	D14/411
D672,816 S *	12/2012	Li	D19/171
D712,481 S *	9/2014	Okuku Lira-Nunez	D19/185

D717,798 S *	11/2014	Groene	D14/411
D724,086 S *	3/2015	Schoenert	D14/411
D724,148 S *	3/2015	Bo	D19/173
D736,317 S *	8/2015	Miller	D19/173
D746,375 S *	12/2015	Ossola	D19/177
D768,133 S *	10/2016	Reed	D14/411
9,539,848 B2 *	1/2017	Bez	B43K 7/12
D797,741 S *	9/2017	Cebe	D14/411
D799,487 S *	10/2017	Nishizawa	D14/411
D825,566 S *	8/2018	Peterson	D14/411
D826,230 S *	8/2018	Peterson	D14/411
D832,840 S *	11/2018	Shi	D14/411
D835,106 S *	12/2018	Hsu	D14/411
D841,737 S *	2/2019	Hallar	D19/177
D847,262 S *	4/2019	Schnug	D19/171
D848,425 S *	5/2019	Lam	D14/411
D848,426 S *	5/2019	Nishizawa	D14/411
D855,107 S *	7/2019	Briggl	D19/171
2011/0090181 A1 *	4/2011	Maridakis	B43K 19/00 345/179

* cited by examiner

Primary Examiner — Elizabeth A. Albert

(74) Attorney, Agent, or Firm — King & Spalding LLP

(57) **CLAIM**

The ornamental design for a pen, as shown and described.

DESCRIPTION

FIG. 1 is a top front perspective view of a pen, showing our new design;

FIG. 2 is a bottom back perspective view thereof;

FIG. 3 is a top elevational view thereof;

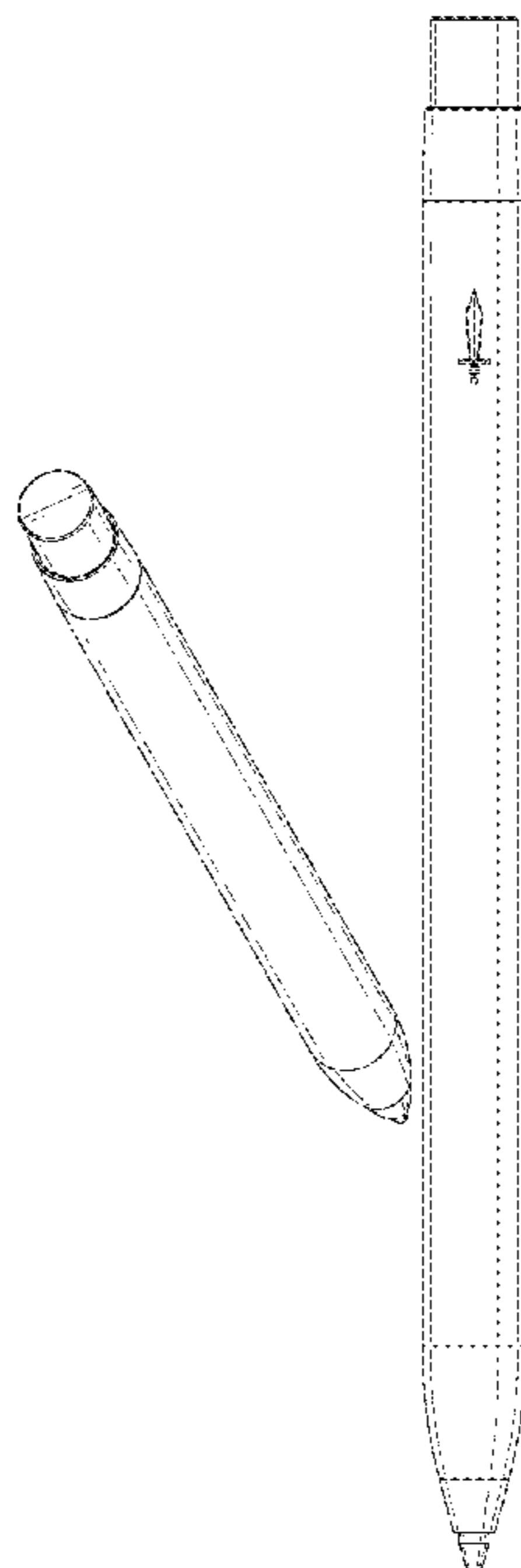
FIG. 4 is a left side elevational view thereof, the right side elevational view being a mirror image thereof;

FIG. 5 is a bottom side elevational view thereof;

FIG. 6 is a front elevational view thereof; and,

FIG. 7 is a back elevational view thereof.

1 Claim, 6 Drawing Sheets



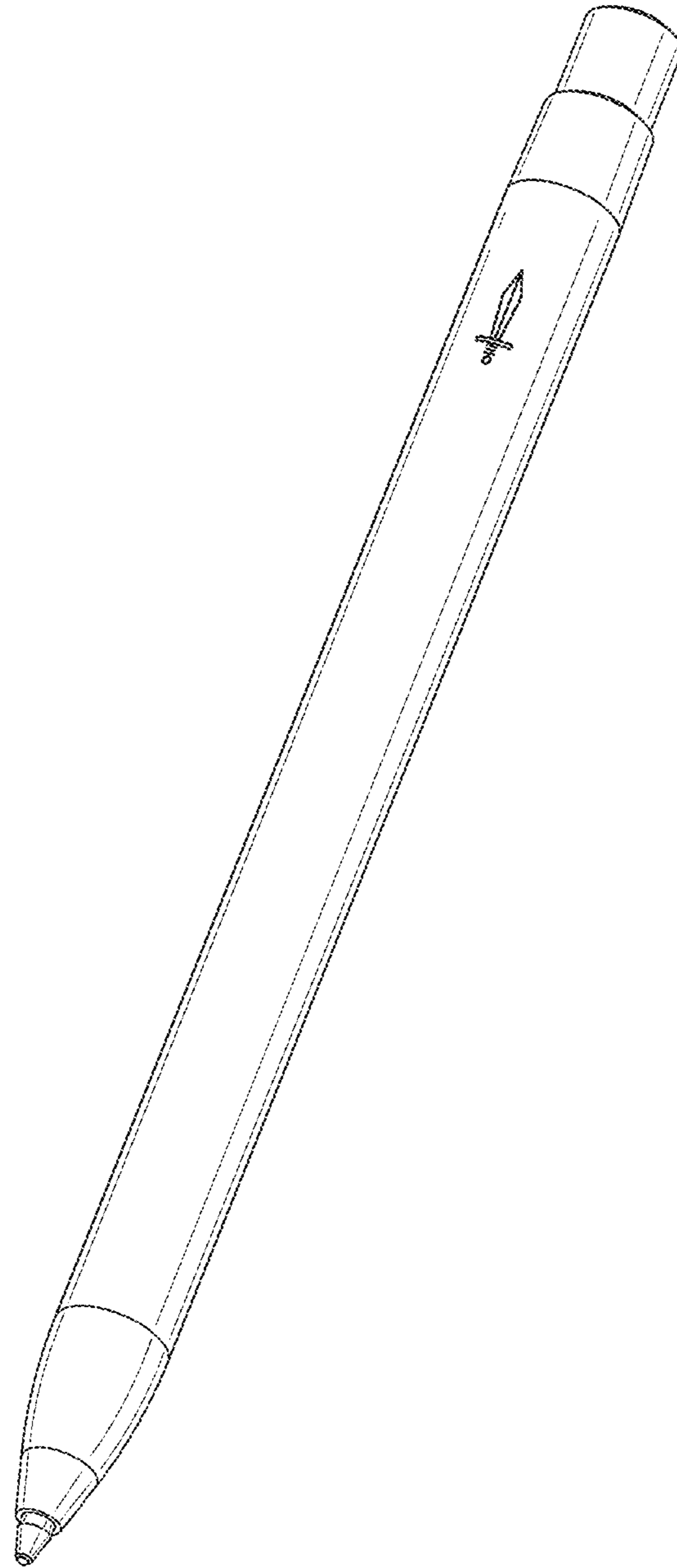


FIG. 1

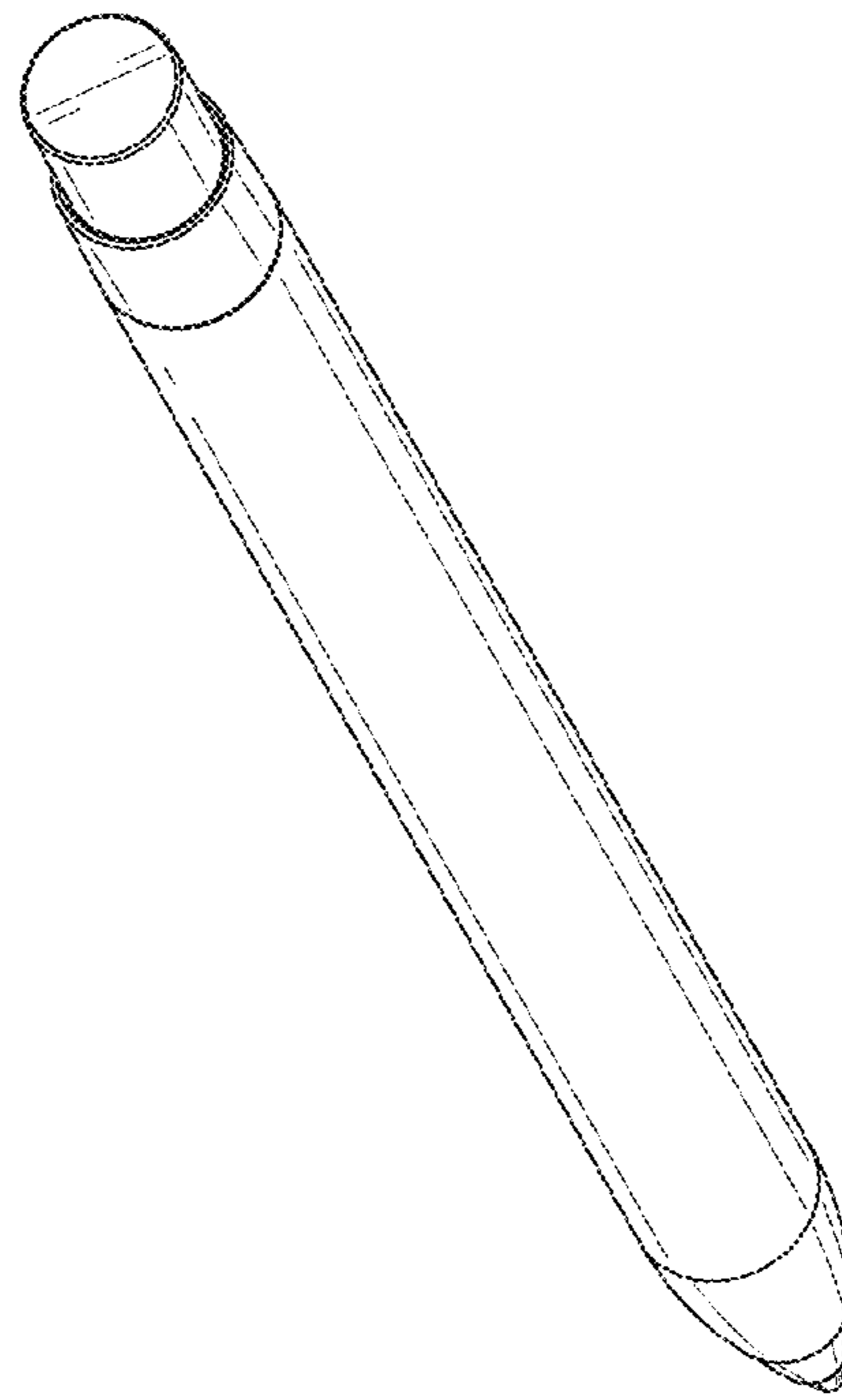


FIG. 2

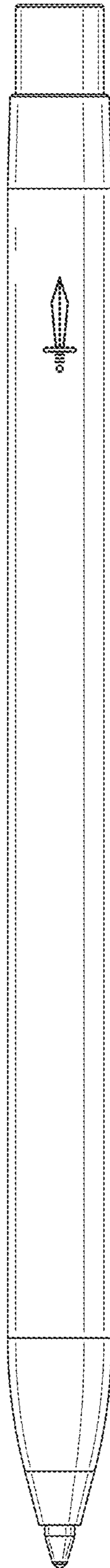


FIG. 3

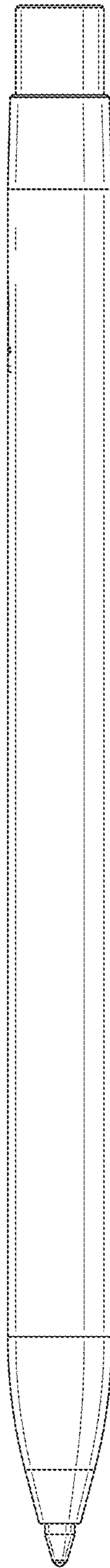


FIG. 4

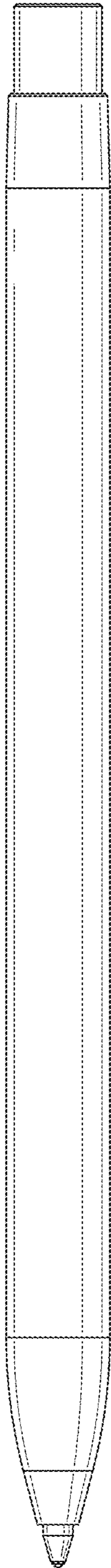


FIG. 5

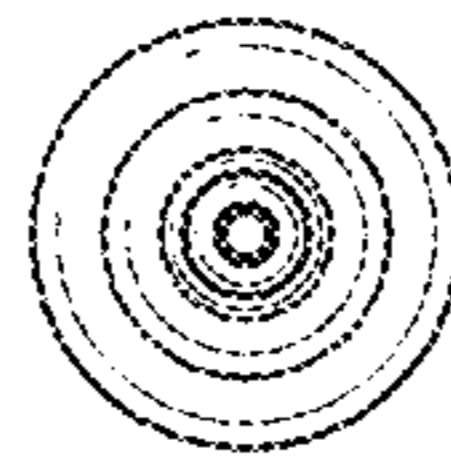


FIG. 6

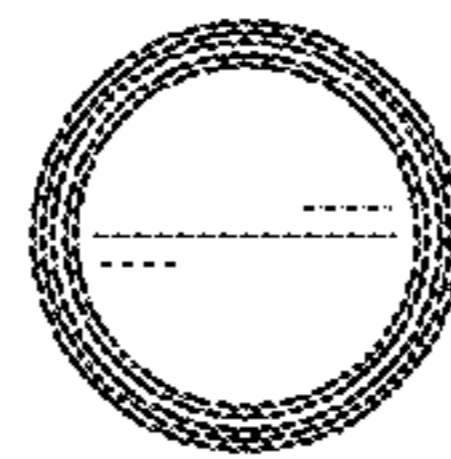


FIG. 7