

US00D879198S

(12) **United States Design Patent** (10) **Patent No.:** **US D879,198 S**
Stevens (45) **Date of Patent:** **** Mar. 24, 2020**

(54) **WRITING AID**

(71) Applicant: **Kimberly R. Stevens**, Williamston, NC (US)

(72) Inventor: **Kimberly R. Stevens**, Williamston, NC (US)

(**) Term: **15 Years**

(21) Appl. No.: **29/671,934**

(22) Filed: **Nov. 30, 2018**

1,607,544 A 8/1926 McCready
1,862,573 A 10/1931 Grosz
2,081,893 A 12/1935 Lozier
2,337,405 A * 12/1943 Noel B42D 1/005
283/52

2,585,421 A 3/1950 Armand
D184,834 S 4/1959 Schlaechter
2,913,836 A 11/1959 Strunk
D216,439 S 1/1970 Simms
4,003,143 A 1/1977 Keitzer et al.
4,183,143 A 1/1980 Root
4,186,683 A 2/1980 LeRoy

(Continued)

Related U.S. Application Data

(62) Division of application No. 29/607,698, filed on Jun. 15, 2017, now Pat. No. Des. 839,958.

(51) **LOC (12) Cl.** **19-06**

(52) **U.S. Cl.**
USPC **D19/37**

(58) **Field of Classification Search**
USPC D19/32, 34, 37, 40, 101, 108; D10/37, D10/40, 64; D9/457; D20/22
CPC G09B 11/00; G09B 11/04; G09B 11/06; G09B 21/002; B43L 13/02; B43L 13/028; B43L 13/04; B43L 13/20
See application file for complete search history.

(56) **References Cited**

U.S. PATENT DOCUMENTS

391,419 A 10/1888 McCulloch
399,768 A 3/1889 Mehrer
598,666 A 2/1898 Thomas
627,132 A 6/1899 McBride
651,894 A 6/1900 Shermer
890,076 A 6/1908 Lobdell
1,006,393 A 10/1911 Montgomery
1,232,116 A 7/1917 Stechan
1,353,279 A 9/1920 Schulthess
1,538,331 A 10/1923 Jett
1,531,249 A * 3/1925 Barman B41L 47/06
101/127.1

OTHER PUBLICATIONS

Signature Guide—Spring Metal the Best, by MaxiAids, 13 ratings, ASIN: B0001BUZMQ, UPC: 612750804250, 7 pages, Amazon.com, earliest review Jul. 20, 2016.*

(Continued)

Primary Examiner — Elizabeth A. Albert
(74) *Attorney, Agent, or Firm* — Ward and Smith, P.A.; Ryan K. Simmons

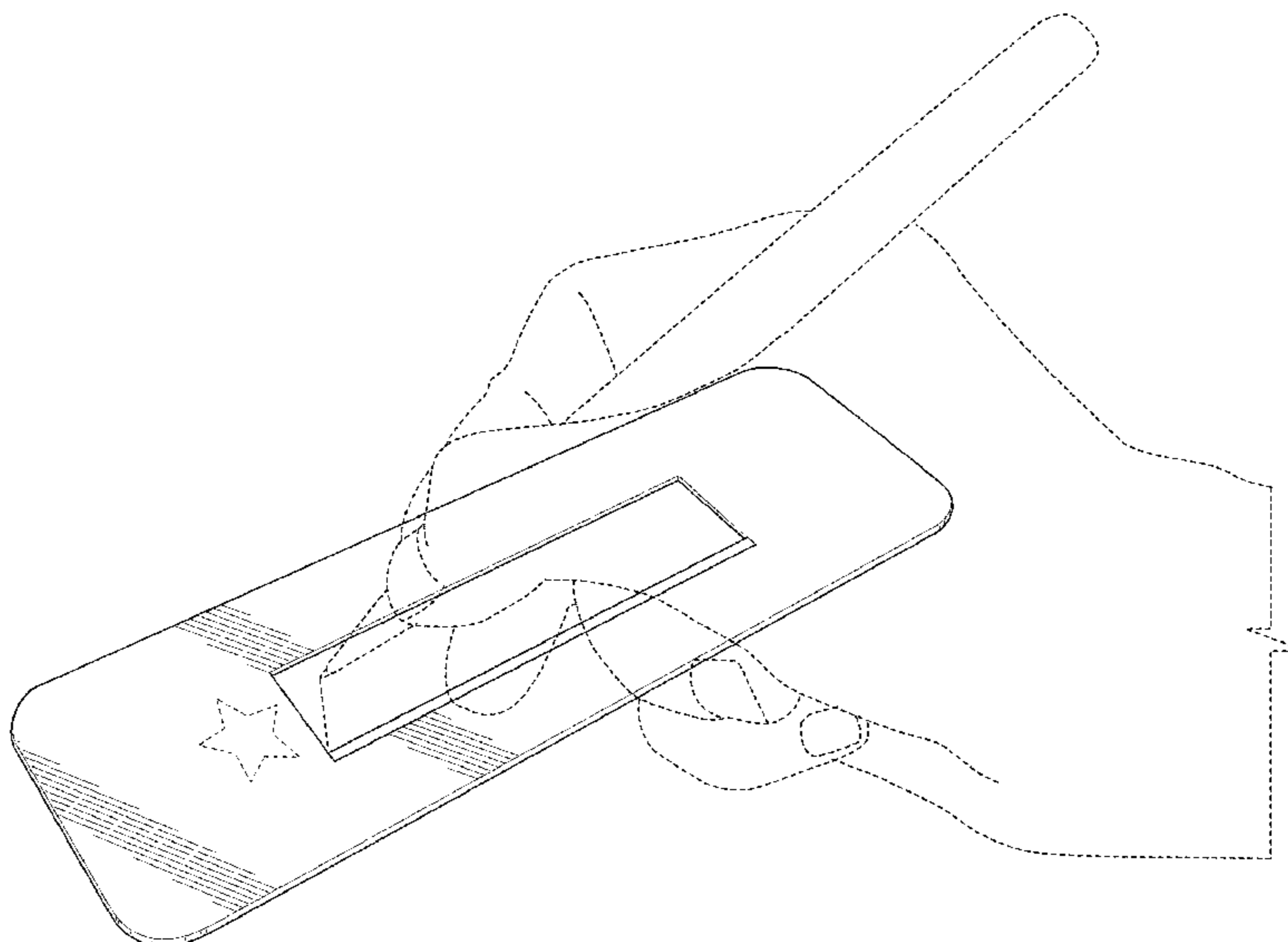
(57) **CLAIM**

The ornamental design for a writing aid, as shown and described.

DESCRIPTION

FIG. 1 is a perspective view of a writing aid showing a new design;
FIG. 2 is a top view thereof;
FIG. 3 is a bottom view thereof; and,
FIG. 4 is a perspective view of the writing aid of FIG. 1 in use.
The dashed lines are included for the purpose of illustrating portions of the writing aid that form no part of the claimed design.

1 Claim, 4 Drawing Sheets



(56)

References Cited

U.S. PATENT DOCUMENTS

4,262,422 A 4/1981 Pass
 D281,173 S * 10/1985 Bloom D19/37
 4,901,665 A 2/1990 Carlin
 D307,442 S * 4/1990 Cooper D10/61
 D314,865 S 2/1991 Tuisku
 5,027,523 A 7/1991 Macleod
 5,163,846 A 11/1992 Lee
 D332,467 S * 1/1993 Bardman D19/1
 D355,216 S 2/1995 Grant
 5,403,104 A 4/1995 Cappellina
 5,441,278 A 8/1995 Nalder
 D374,459 S 10/1996 Vartanian
 5,632,225 A 5/1997 Krasner
 D410,679 S 6/1999 Blanchard
 6,142,783 A 11/2000 Rocha
 D469,121 S * 1/2003 Manzo D19/34
 D483,077 S 12/2003 Navarro-Machado
 6,832,915 B1 12/2004 Kirby
 D504,336 S * 4/2005 Mason H02G 1/00
 D10/64
 D518,101 S 3/2006 Boone-Johnson
 7,137,206 B2 11/2006 Lira-Nunez
 7,318,764 B2 1/2008 Elias
 D660,733 S * 5/2012 Shotey D10/64
 D713,747 S * 9/2014 Collins D10/64

D720,805 S * 1/2015 Khayat D19/34
 D741,731 S * 10/2015 Lamanna G01B 3/566
 D10/64
 D772,342 S 11/2016 Navarro-Machado
 D794,118 S * 8/2017 Petrie D19/32
 D803,937 S * 11/2017 Petrie D19/32
 D805,580 S 12/2017 Jensen
 D819,741 S * 6/2018 Clegg D20/22
 D835,187 S * 12/2018 Choi D19/32
 D854,416 S * 7/2019 Sims D9/457
 2003/0228559 A1 12/2003 Hajjar
 2009/0068626 A1 3/2009 Schulken
 2009/0301384 A1 12/2009 Beauregard, Jr.
 2010/0121692 A1 * 5/2010 Top G06Q 20/341
 705/14.4
 2016/0214425 A1 7/2016 Ko
 2018/0018897 A1 1/2018 Harris

OTHER PUBLICATIONS

Adjust Writing Guide for Blind and Low Vision, by MaxiAids, 2 ratings, ASIN: B0001CHEGFO, UPC: 612750203480, 5 pages, Amazon.com, earliest review Jun. 21, 2015.*
 Typoscope, 3 1/2x5 inches, MaxiAids, ASIN: B00011R5ZG, UPC: 612750921803, Amazon.com, earliest of two reviews dated Jan. 7, 2012.

* cited by examiner

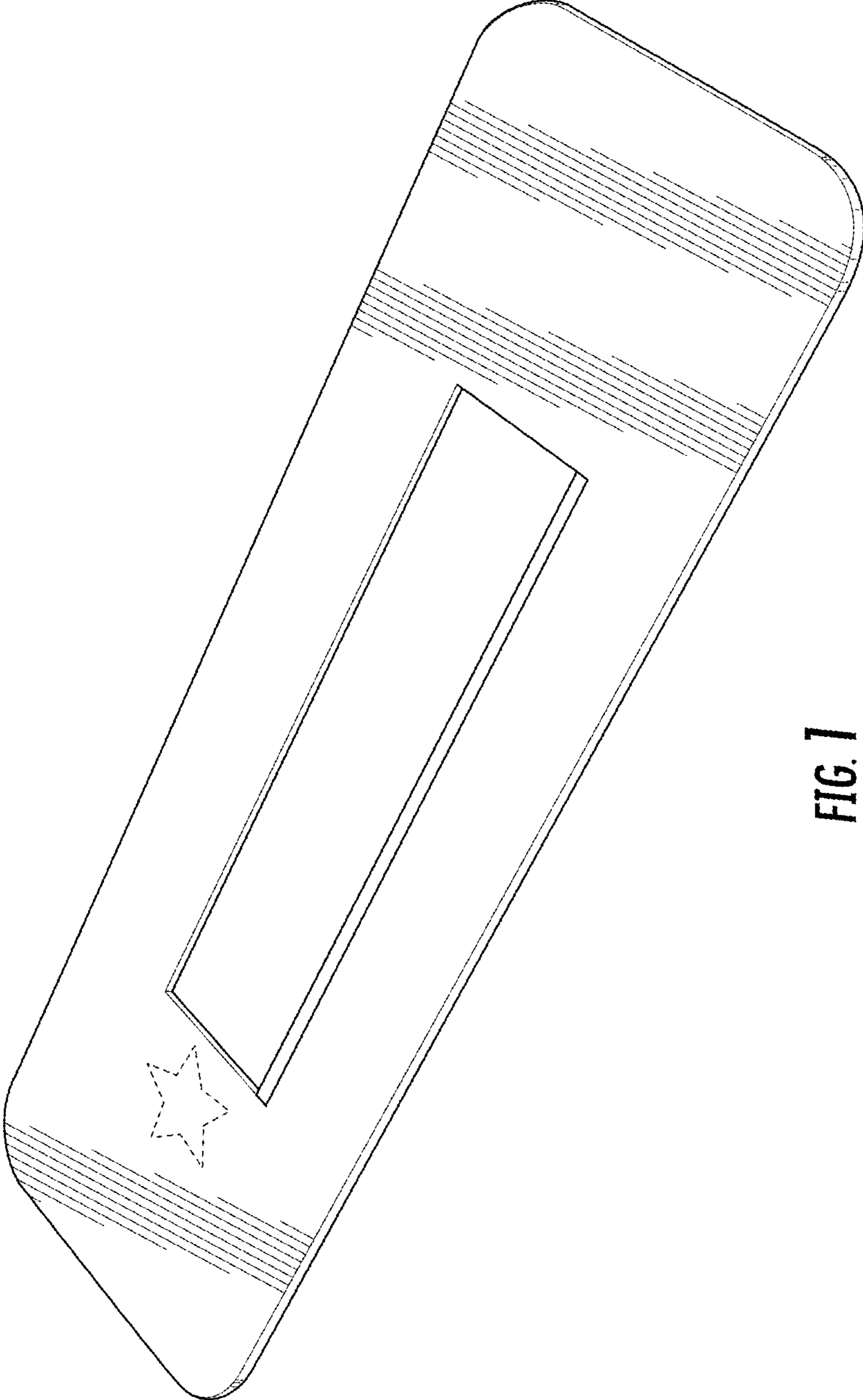


FIG. 1

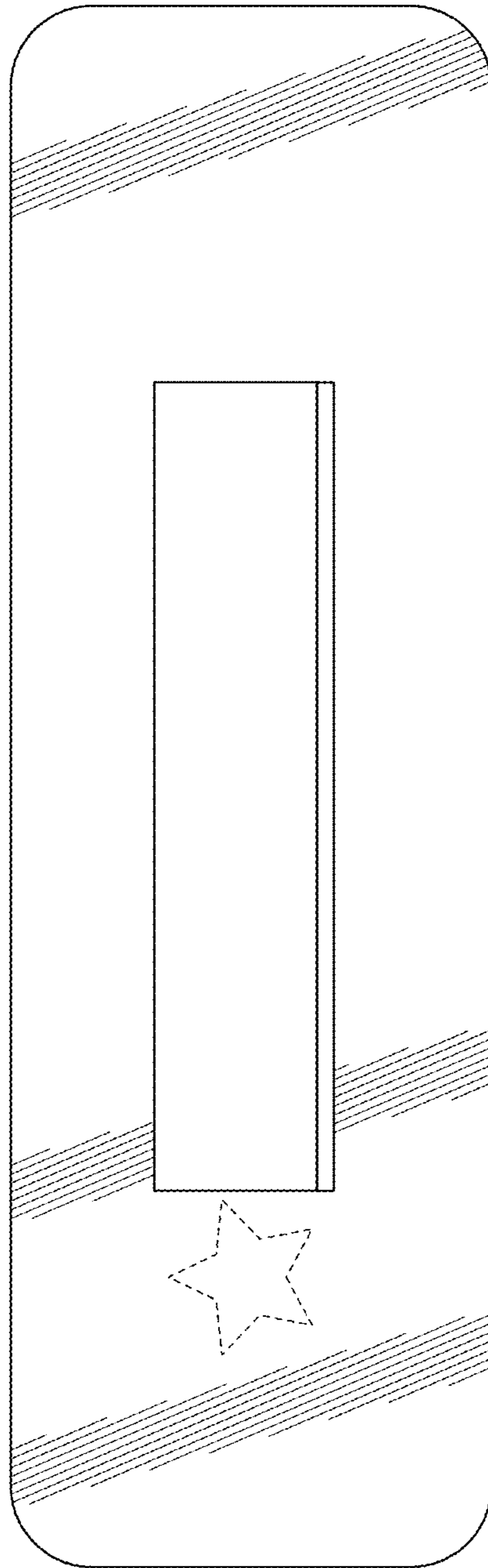


FIG. 2

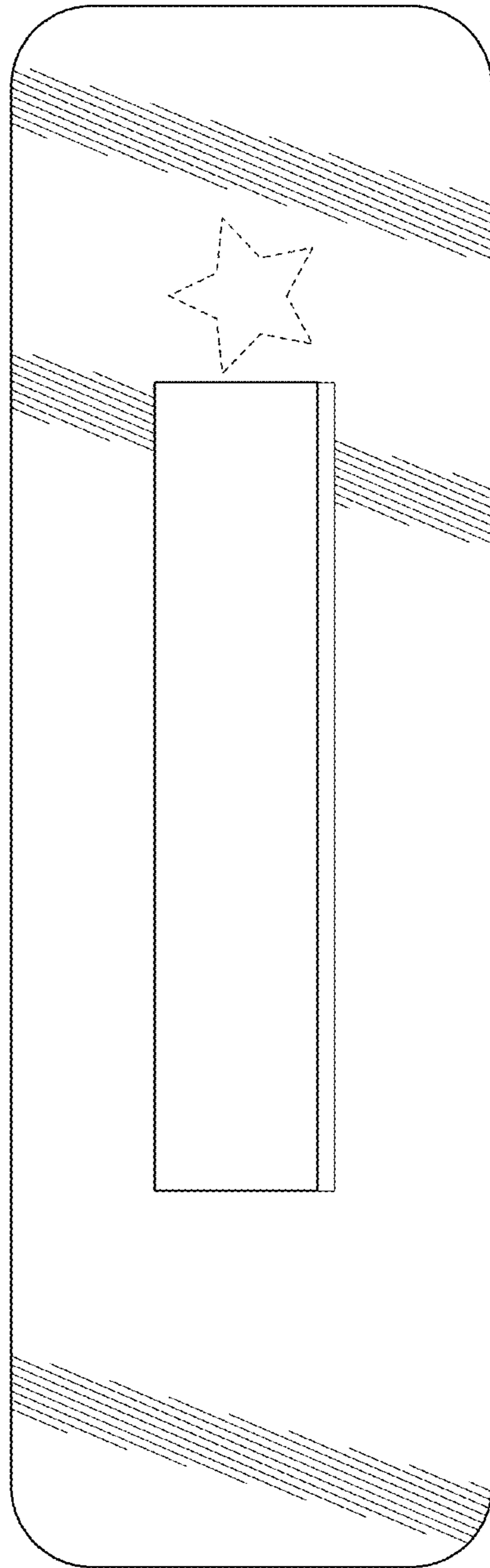


FIG. 3

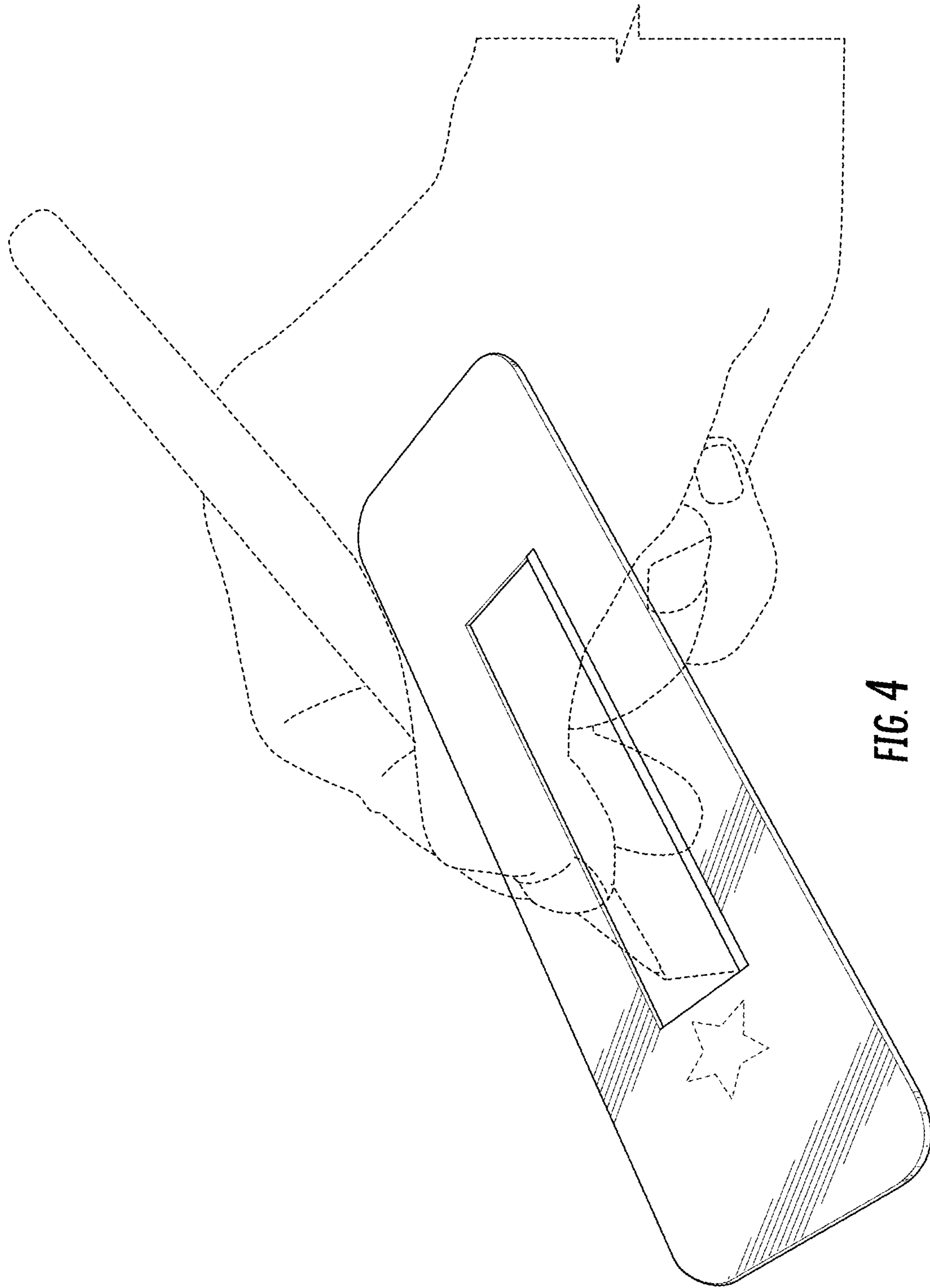


FIG. 4