



US00D879196S

(12) **United States Design Patent** (10) **Patent No.:** **US D879,196 S**
Lowe et al. (45) **Date of Patent:** **** *Mar. 24, 2020**

(54) **LAYER OF A TRANSACTION CARD**

FOREIGN PATENT DOCUMENTS

(71) Applicant: **CompoSecure, LLC**, Somerset, NJ (US)

EP 2765648 A1 8/2014
WO 2013110625 A1 8/2013

(Continued)

(72) Inventors: **Adam Lowe**, Somerset, NJ (US);
Michele Logan, Madison, NJ (US);
Dori Skelding, North Plainfield, NJ (US);
Syeda Hussain, Somerset, NJ (US)

OTHER PUBLICATIONS

International Search Report and Written Opinion for International Application No. PCT/US2019/014656, dated Apr. 1, 2019, 16 pages.

(Continued)

(73) Assignee: **COMPOSECURE, LLC**, Somerset, NJ (US)

Primary Examiner — Abraham Bahta

(74) *Attorney, Agent, or Firm* — RatnerPrestia

(*) Notice: This patent is subject to a terminal disclaimer.

(57) **CLAIM**

(**) Term: **15 Years**

The ornamental design for a layer of a transaction card, as shown and described.

(21) Appl. No.: **29/663,230**

DESCRIPTION

(22) Filed: **Sep. 13, 2018**

Related U.S. Application Data

(63) Continuation of application No. 15/928,813, filed on Mar. 22, 2018.

(51) **LOC (12) Cl.** **19-08**

(52) **U.S. Cl.**
USPC **D19/9**

(58) **Field of Classification Search**
USPC D19/1–12, 20–34, 100;
40/124.01–124.15, 672, 661, 726, 776,
(Continued)

FIG. 1 is a front isometric view of a layer of a transaction card according to a first exemplary embodiment of the present invention;
FIG. 2 is a front elevation view thereof;
FIG. 3 is a top plan view thereof, the bottom plan view being identical;
FIG. 4 is an elevation view thereof taken from the left side; and
FIG. 5 is a rear elevation view thereof.
FIG. 6 is a front isometric view of a layer of a transaction card according to a second exemplary embodiment of the present invention;
FIG. 7 is a front elevation view thereof;
FIG. 8 is a top plan view thereof, the bottom plan view being identical;
FIG. 9 is an elevation view thereof taken from the left side; and
FIG. 10 is a rear elevation view thereof.
FIG. 11 is a front isometric view of a layer of a transaction card according to a third exemplary embodiment of the present invention;

(Continued)

(56) **References Cited**

U.S. PATENT DOCUMENTS

D529,955 S * 10/2006 Allard D19/9
7,701,350 B2 4/2010 Sakama et al.

(Continued)

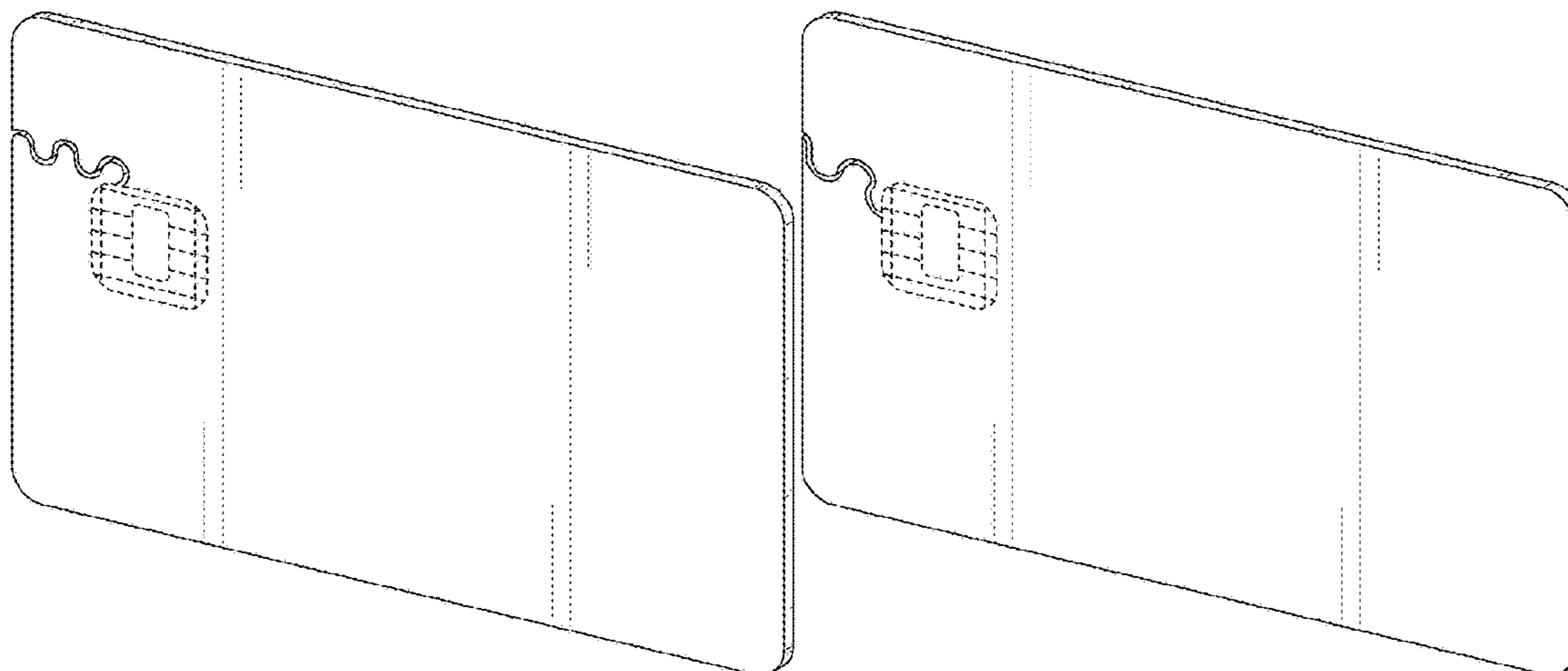


FIG. 12 is a front elevation view thereof;
 FIG. 13 is a top plan view thereof, the bottom plan view being identical;
 FIG. 14 is an elevation view thereof taken from the left side; and
 FIG. 15 is a rear elevation view thereof.
 FIG. 16 is a front isometric view of a layer of a transaction card according to a fourth exemplary embodiment of the present invention;
 FIG. 17 is a front elevation view thereof;
 FIG. 18 is a top plan view thereof, the bottom plan view being identical;
 FIG. 19 is an elevation view thereof taken from the left side; and
 FIG. 20 is a rear elevation view thereof.
 FIG. 21 is a front isometric view of a layer of a transaction card according to a fifth exemplary embodiment of the present invention;
 FIG. 22 is a front elevation view thereof;
 FIG. 23 is a top plan view thereof, the bottom plan view being identical;
 FIG. 24 is an elevation view thereof taken from the left side; and
 FIG. 25 is a rear elevation view thereof.
 The broken line showing of the layer of a transaction card is for the purpose of illustrating portions of the layer of a transaction card and forms no part of the claimed design.

1 Claim, 15 Drawing Sheets

(58) **Field of Classification Search**

USPC 40/617; 283/72, 74-75, 103, 105-117, 283/81-82, 70, 94, 904; 206/449, 815; D21/385; D20/10, 22, 27, 40, 42, 11; D14/435-437; D6/613, 583; 362/2; 235/380, 382, 487, 493, 488
 CPC .. B42D 15/022; B42D 15/045; B42D 15/027; B42D 15/042; B42D 25/29; B42D 25/00; B42D 25/20; B42D 25/30; B42D 25/40; B42D 25/23; B42D 25/26; B42D 25/285; B42D 2033/00; B42D 2033/08; B42D 2033/10; B42D 2033/16; B42D 2033/20; B42D 2033/30

See application file for complete search history.

(56) **References Cited**

U.S. PATENT DOCUMENTS

8,141,786 B2 3/2012 Bhandarkar et al.
 8,519,905 B2 8/2013 Tanaka et al.
 8,608,082 B2 12/2013 Le Garrec et al.
 8,725,589 B1 5/2014 Skelding et al.

9,000,619 B2 4/2015 Kato et al.
 9,251,458 B2 2/2016 Finn et al.
 9,390,364 B2 7/2016 Finn et al.
 9,390,366 B1 7/2016 Herslow et al.
 9,475,086 B2 10/2016 Finn et al.
 9,489,613 B2 11/2016 Finn et al.
 9,622,359 B2 4/2017 Finn et al.
 9,634,391 B2 4/2017 Finn et al.
 9,697,459 B2 7/2017 Finn et al.
 D797,188 S * 9/2017 Hendrick D19/9
 9,760,816 B1 9/2017 Williams et al.
 9,798,968 B2 10/2017 Finn et al.
 9,812,782 B2 11/2017 Finn et al.
 9,836,684 B2 12/2017 Finn et al.
 D812,137 S * 3/2018 Daniel D19/10
 10,147,999 B2 12/2018 Wang et al.
 10,193,211 B2 1/2019 Finn et al.
 2014/0361086 A1 12/2014 Finn et al.
 2015/0021403 A1 1/2015 Finn et al.
 2015/0129665 A1 5/2015 Finn et al.
 2015/0136858 A1 5/2015 Finn et al.
 2015/0235122 A1 8/2015 Finn et al.
 2015/0269474 A1 9/2015 Finn et al.
 2015/0269477 A1 9/2015 Finn et al.
 2015/0278675 A1 10/2015 Finn et al.
 2015/0339564 A1 11/2015 Herslow et al.
 2016/0110639 A1 4/2016 Finn et al.
 2016/0365644 A1 12/2016 Finn et al.
 2017/0017871 A1 1/2017 Finn et al.
 2017/0077589 A1 3/2017 Finn et al.
 2017/0316300 A1 11/2017 Herslow et al.
 2018/0339503 A1 11/2018 Finn et al.
 2018/0341846 A1 11/2018 Finn et al.
 2018/0341847 A1 11/2018 Finn et al.
 2019/0156073 A1 5/2019 Finn et al.

FOREIGN PATENT DOCUMENTS

WO 2015071017 A1 5/2015
 WO 2015071086 A1 5/2015
 WO 2015144261 A1 10/2015
 WO 2016046184 A1 3/2016
 WO 2017090891 A1 6/2017

OTHER PUBLICATIONS

Chen et al., "A Metallic RFID Tag Design for Steel-Bar and Wire-Rod Management Application in the Steel Industry", Progress in Electromagnetics Research, Pier 91, 2009, pp. 195-212 2018.
 Entire patent prosecution history of U.S. Appl. No. 15/928,813, filed Mar. 22, 2018, entitled "Layer of a Transaction Card".
 Third Party Submission Under 37 CFR 1.290 filed in U.S. Appl. No. 15/928,813 Concise Description of Relevance dated Oct. 15, 2019, 13 pages.
 Third Party Submission Under 37 CFR 1.290 filed in U.S. Appl. No. 15/928,813 Concise Description of Relevance dated Oct. 27, 2019, 13 pages.
 Third Party Submission Under 37 CFR 1.290 filed in U.S. Appl. No. 15/928,813 Concise Description of Relevance dated Nov. 1, 2019, 8 pages.

* cited by examiner

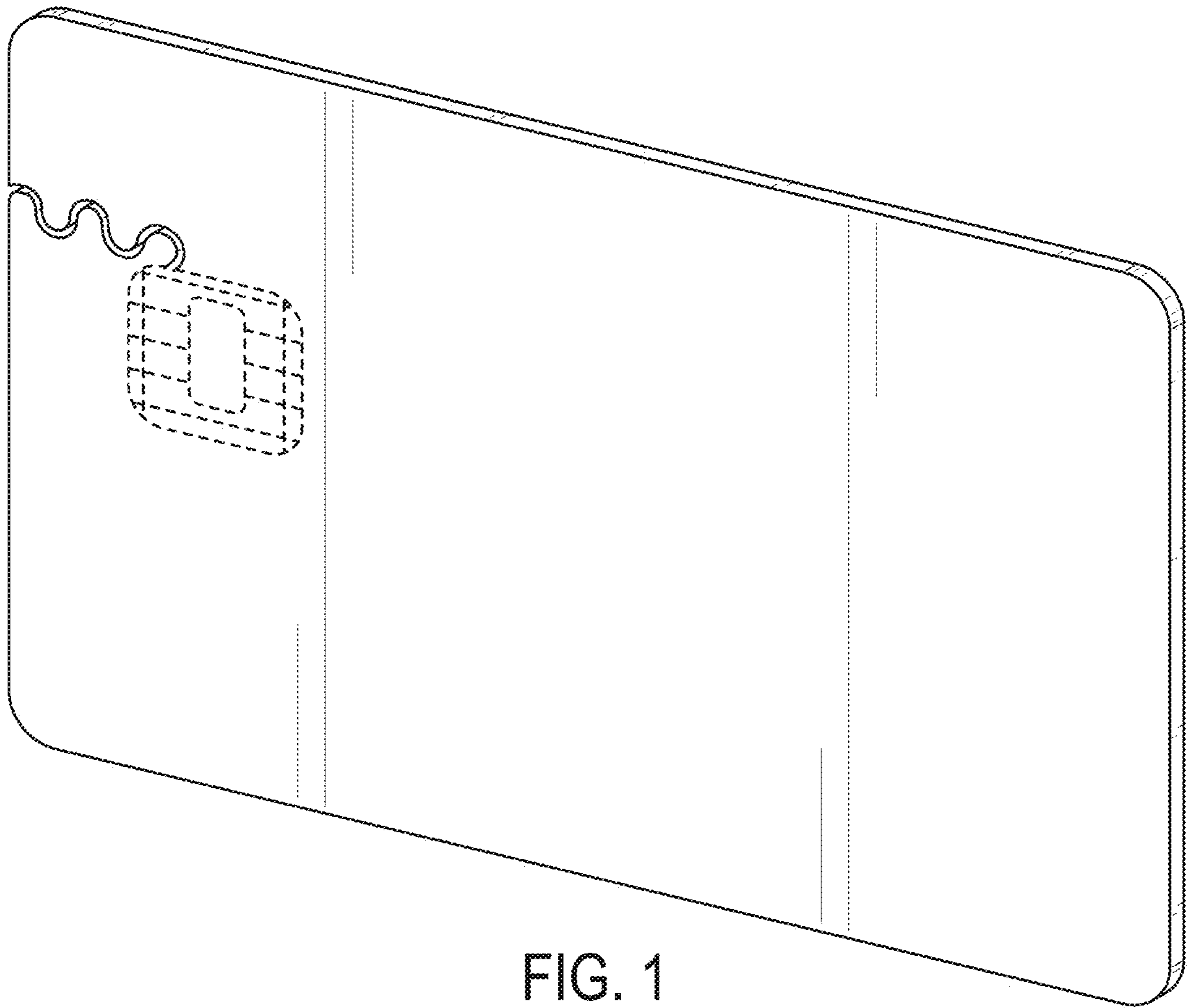


FIG. 1

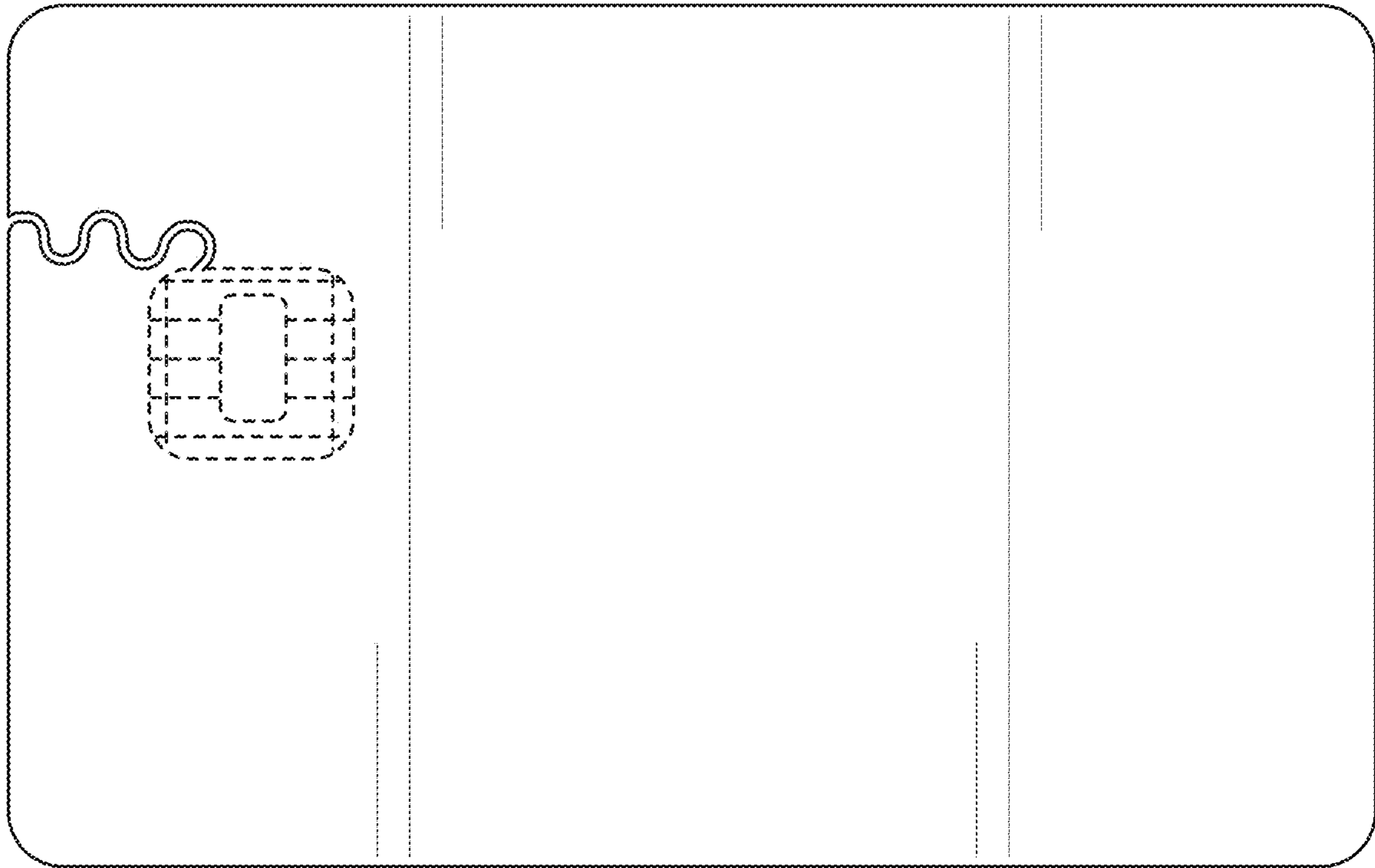


FIG. 2

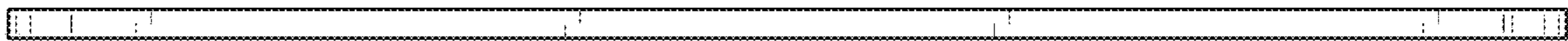


FIG. 3

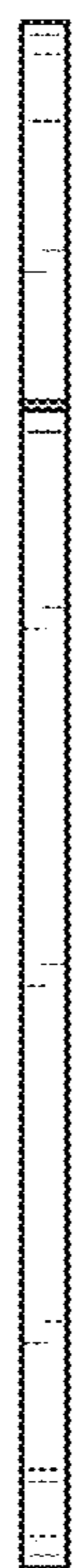


FIG. 4

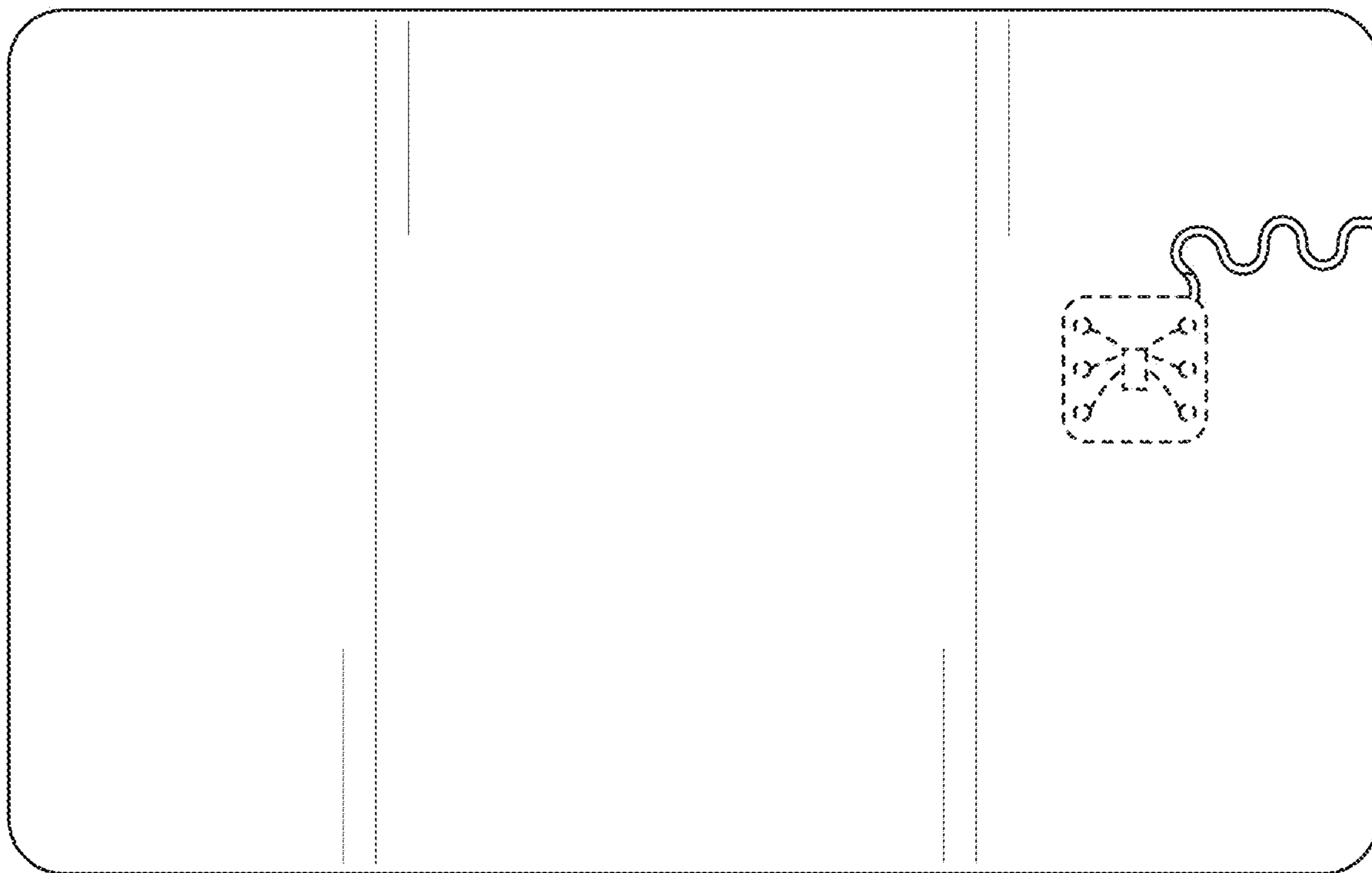


FIG. 5

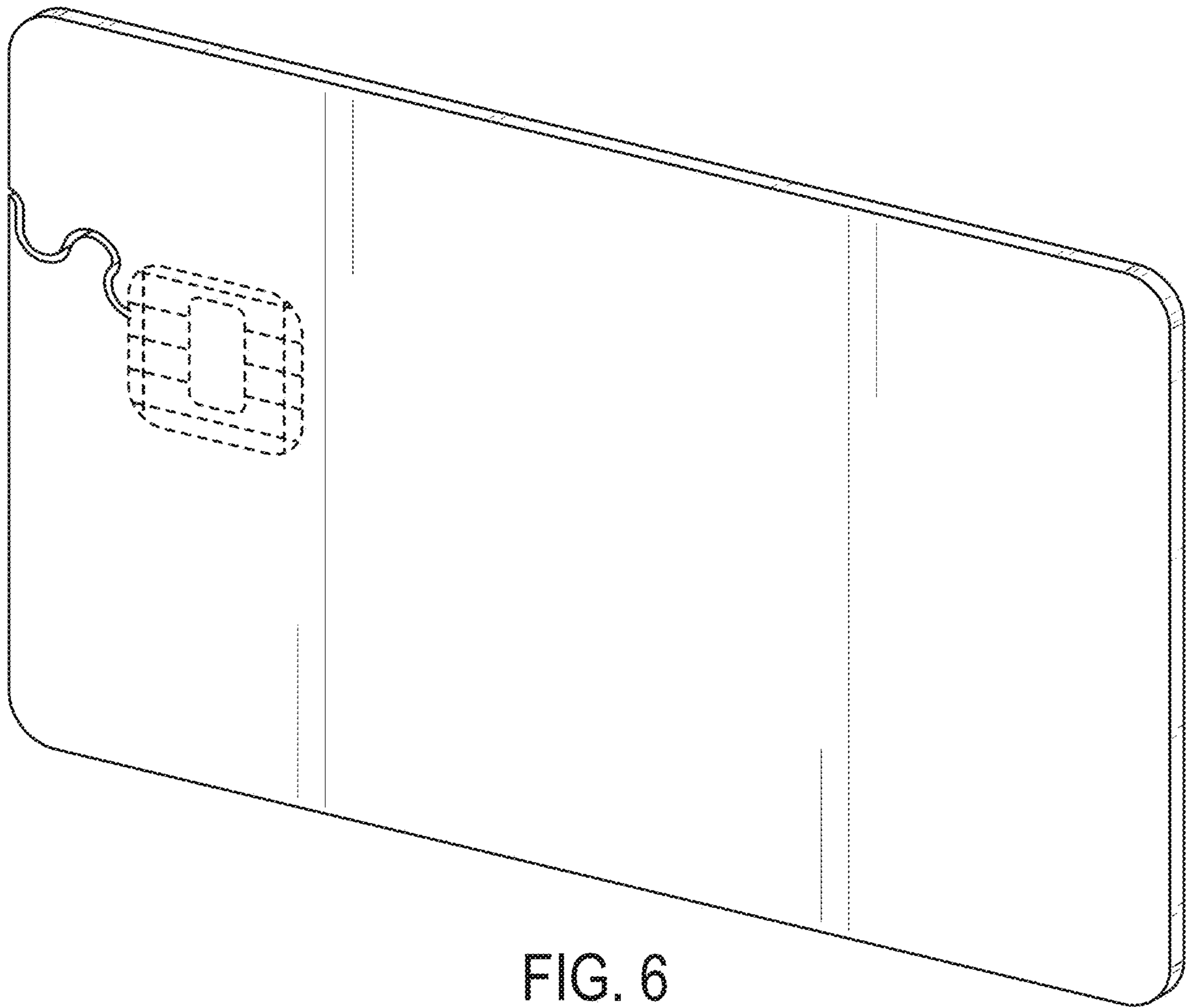


FIG. 6

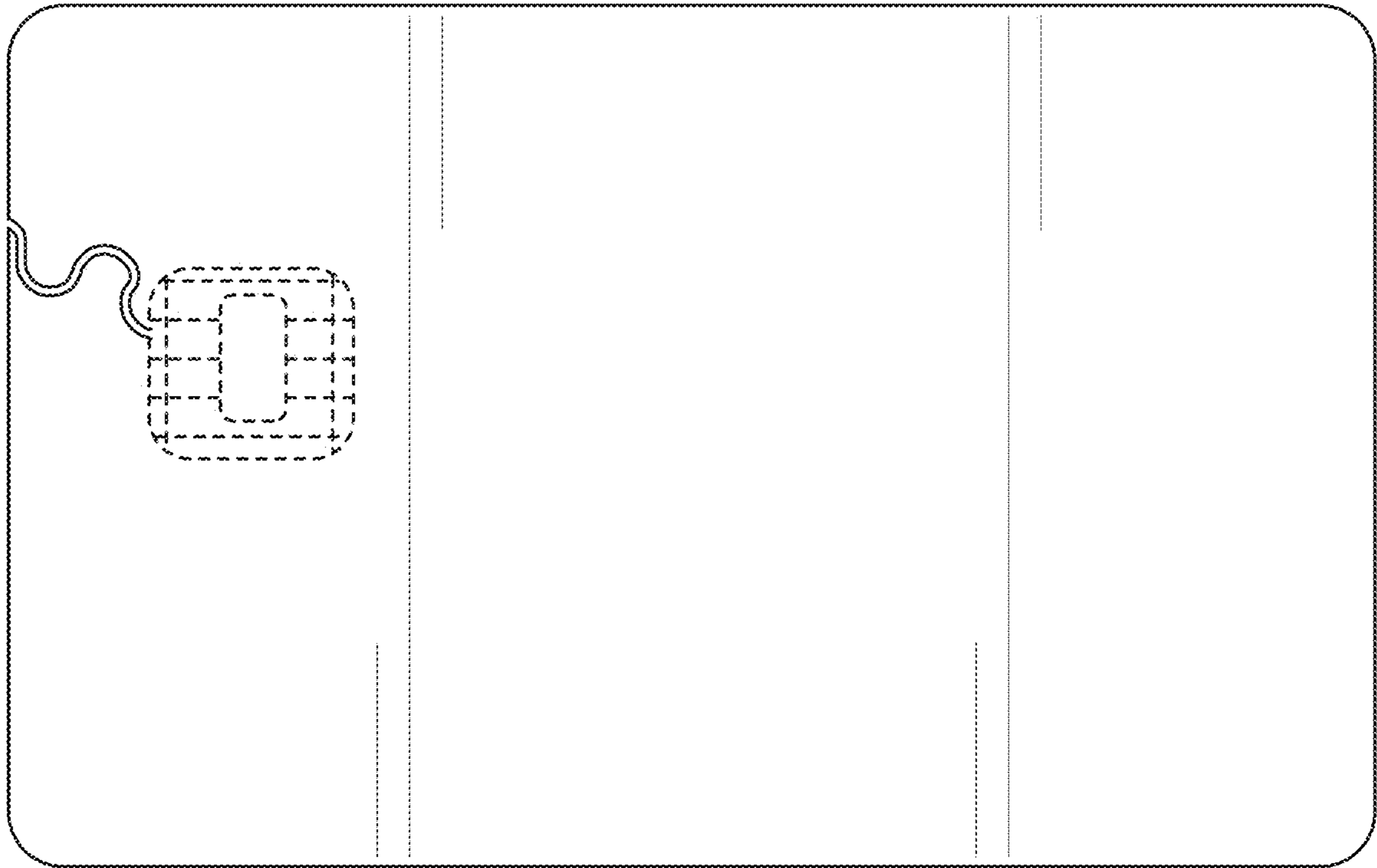


FIG. 7

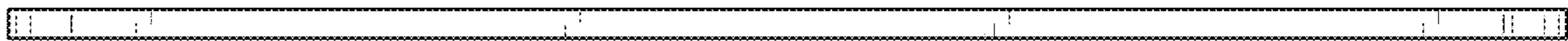


FIG. 8



FIG. 9

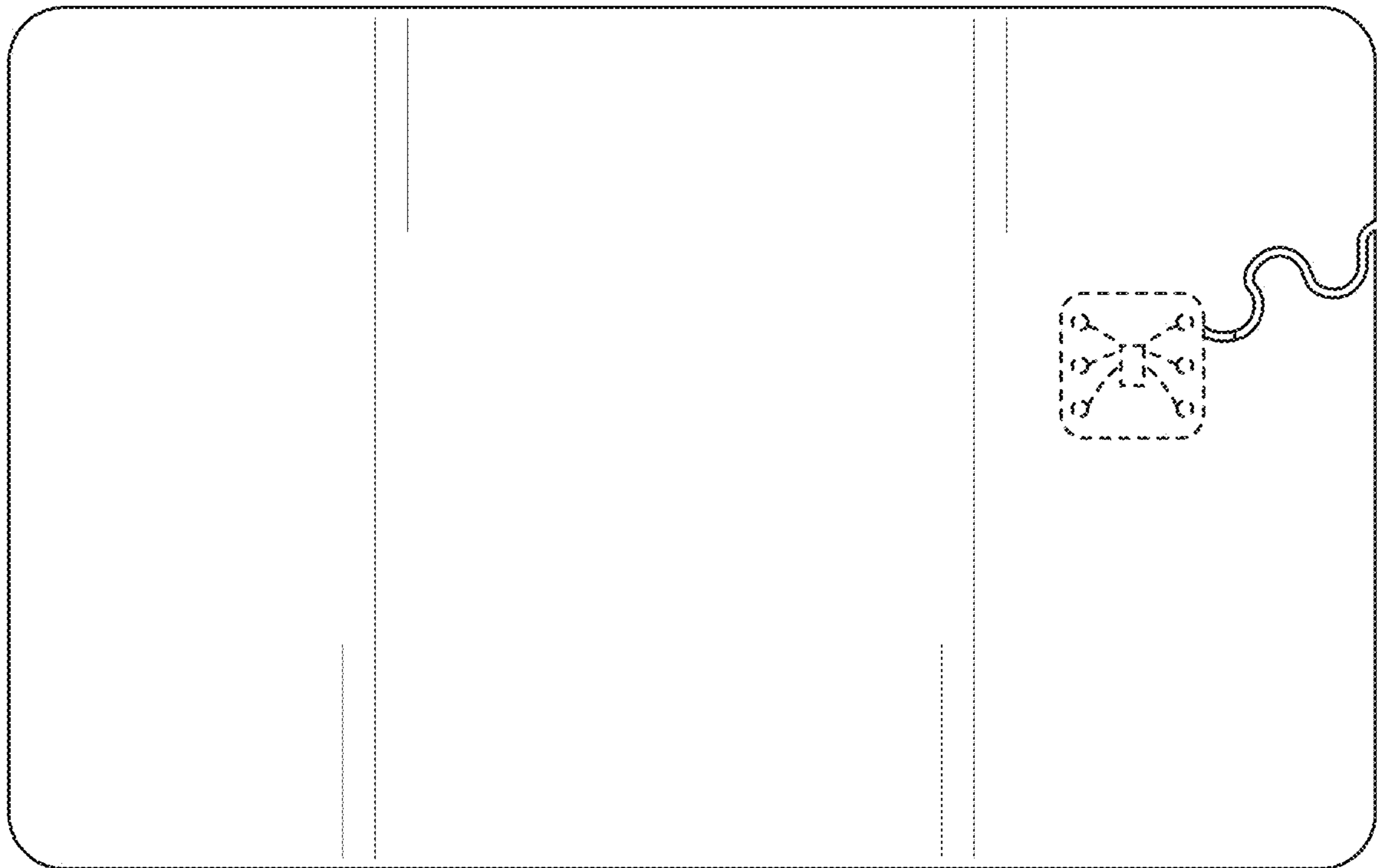


FIG. 10

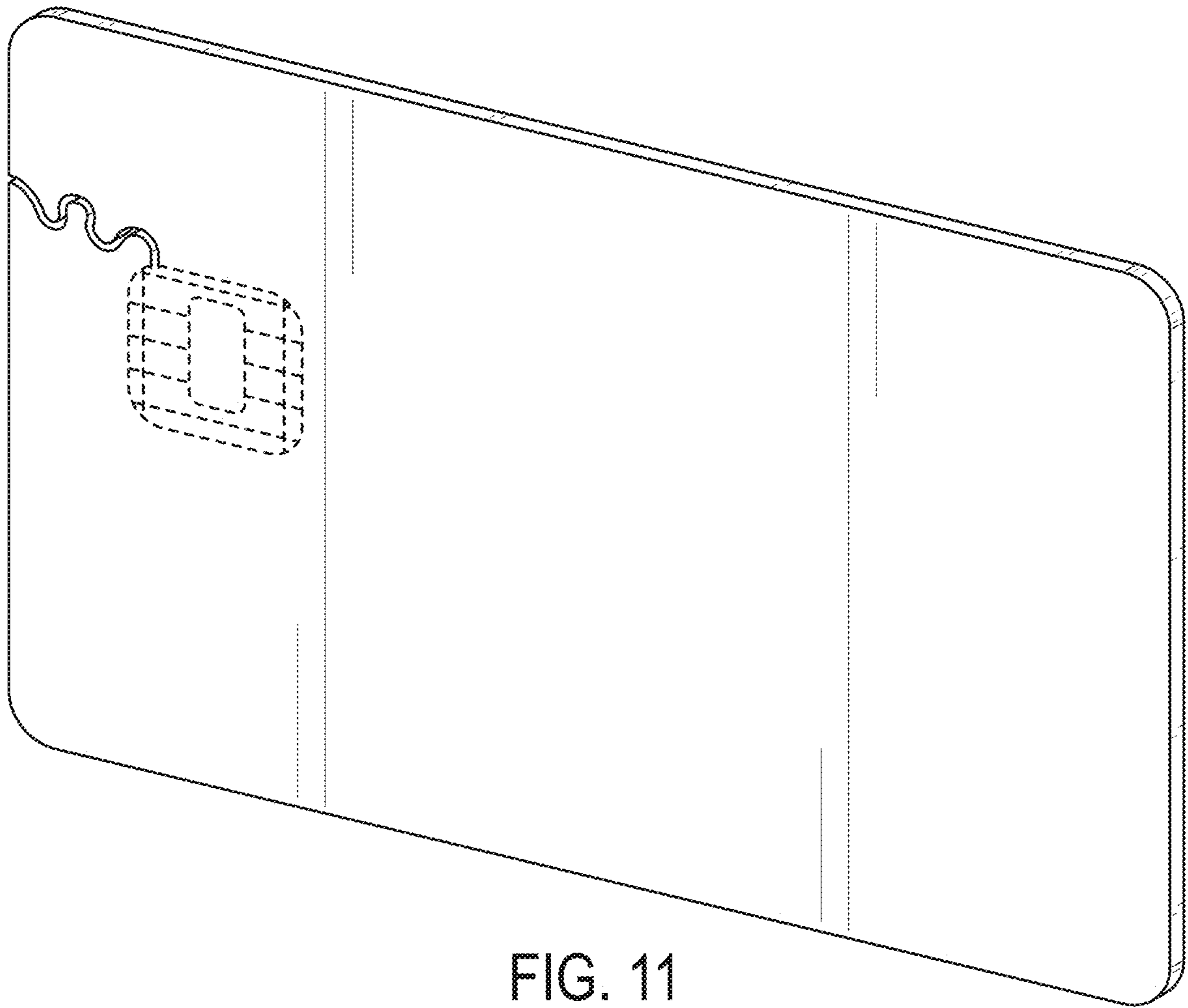


FIG. 11

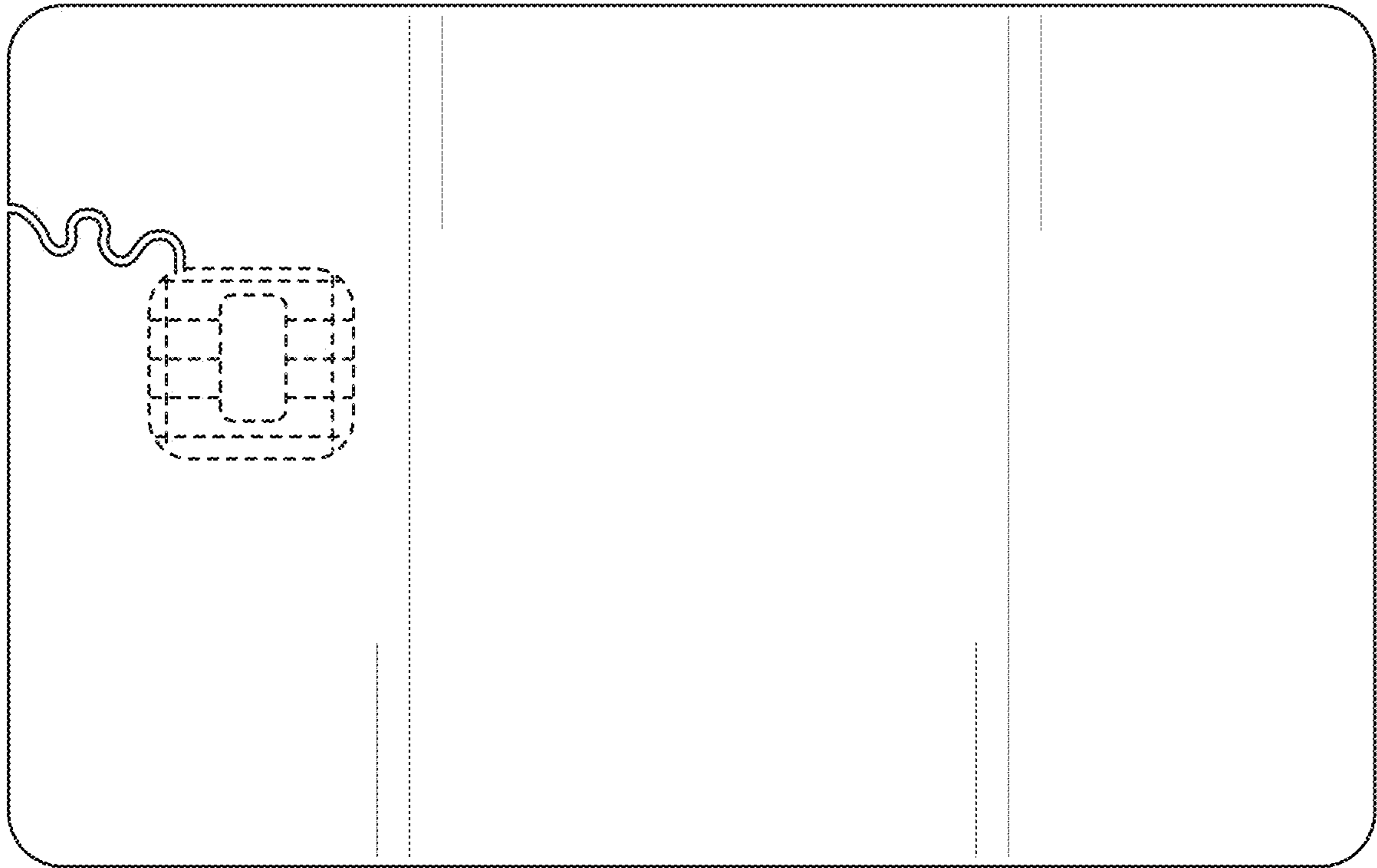


FIG. 12

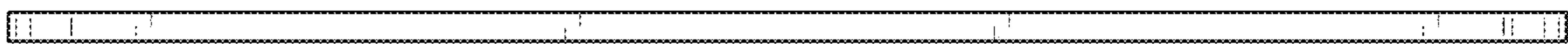


FIG. 13



FIG. 14

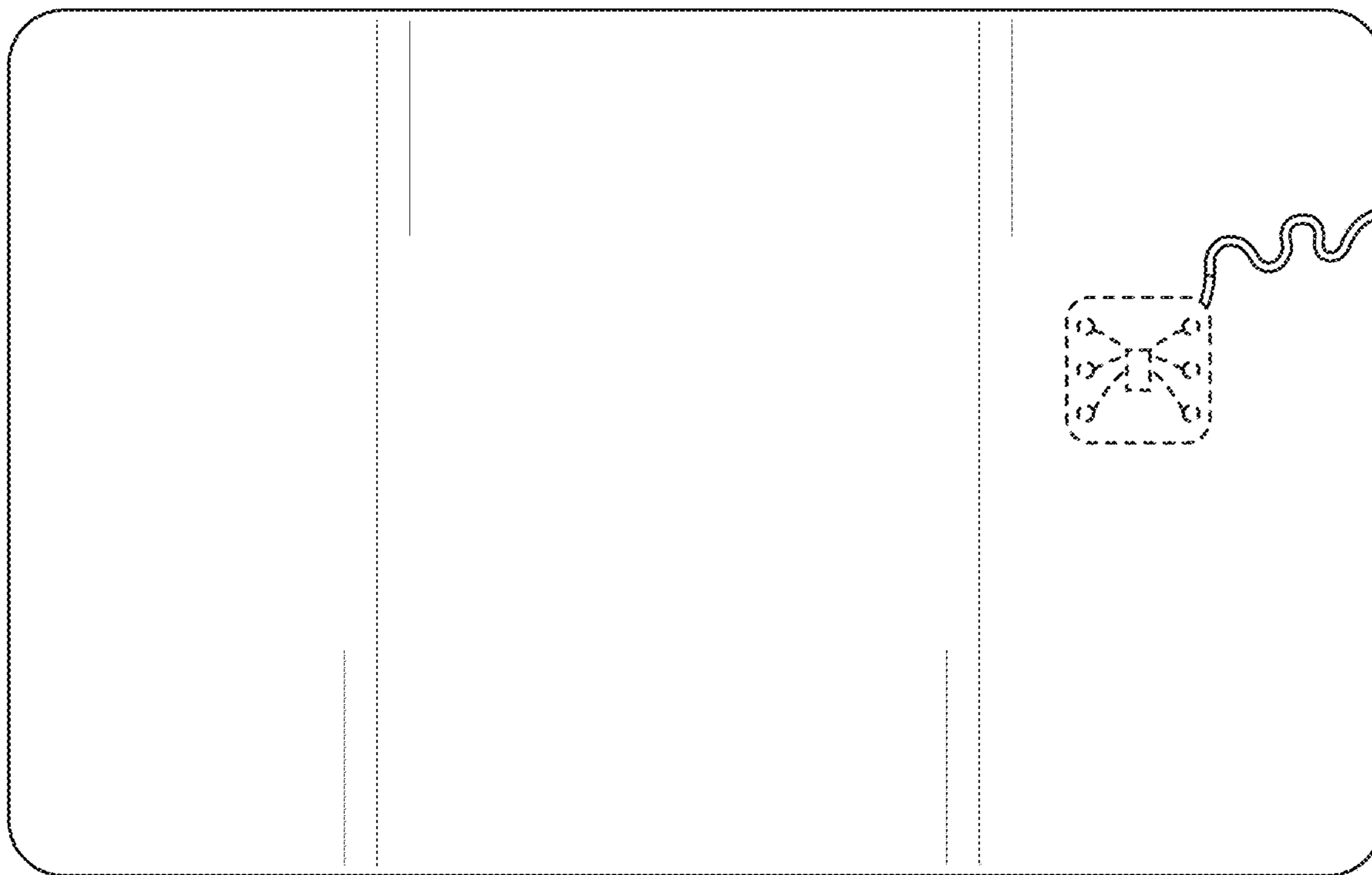


FIG. 15

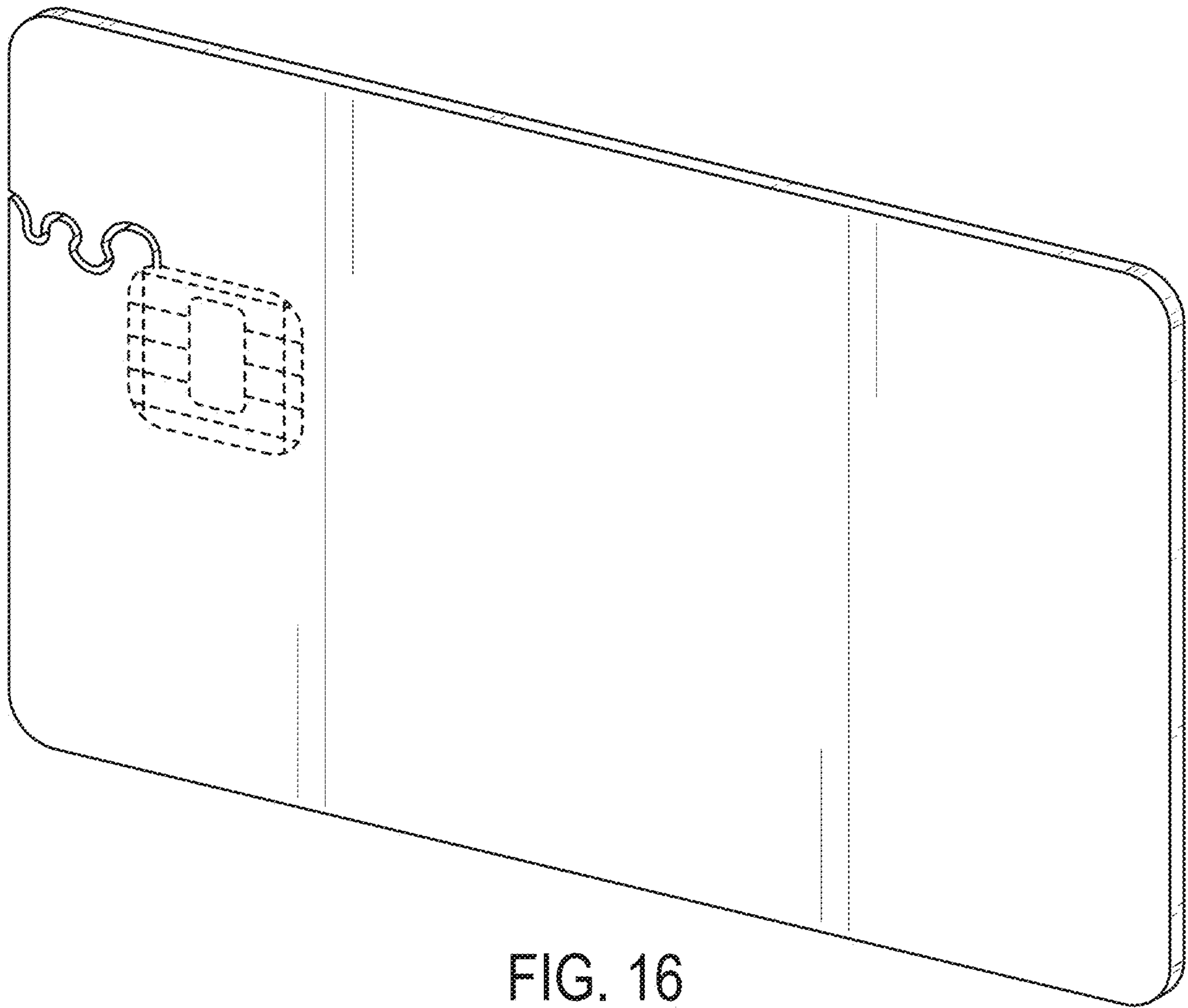


FIG. 16

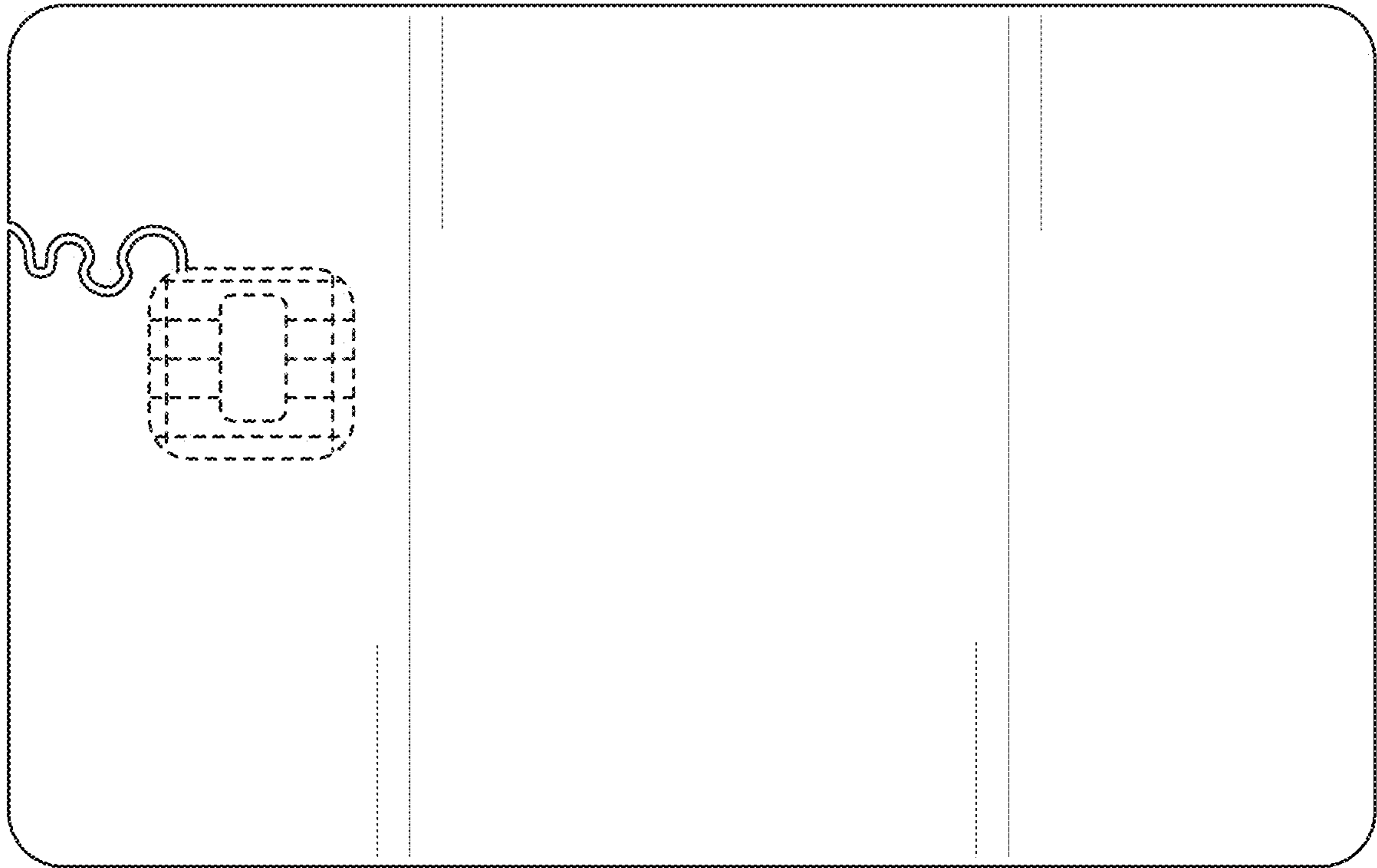


FIG. 17

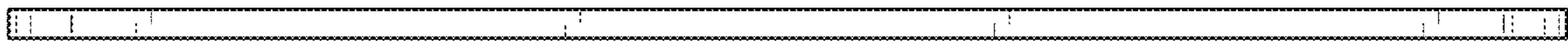


FIG. 18

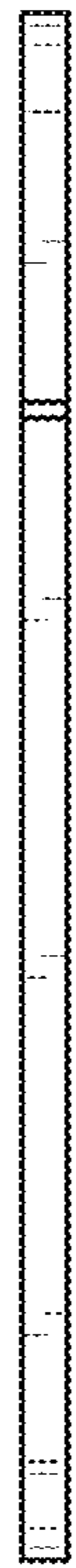


FIG. 19

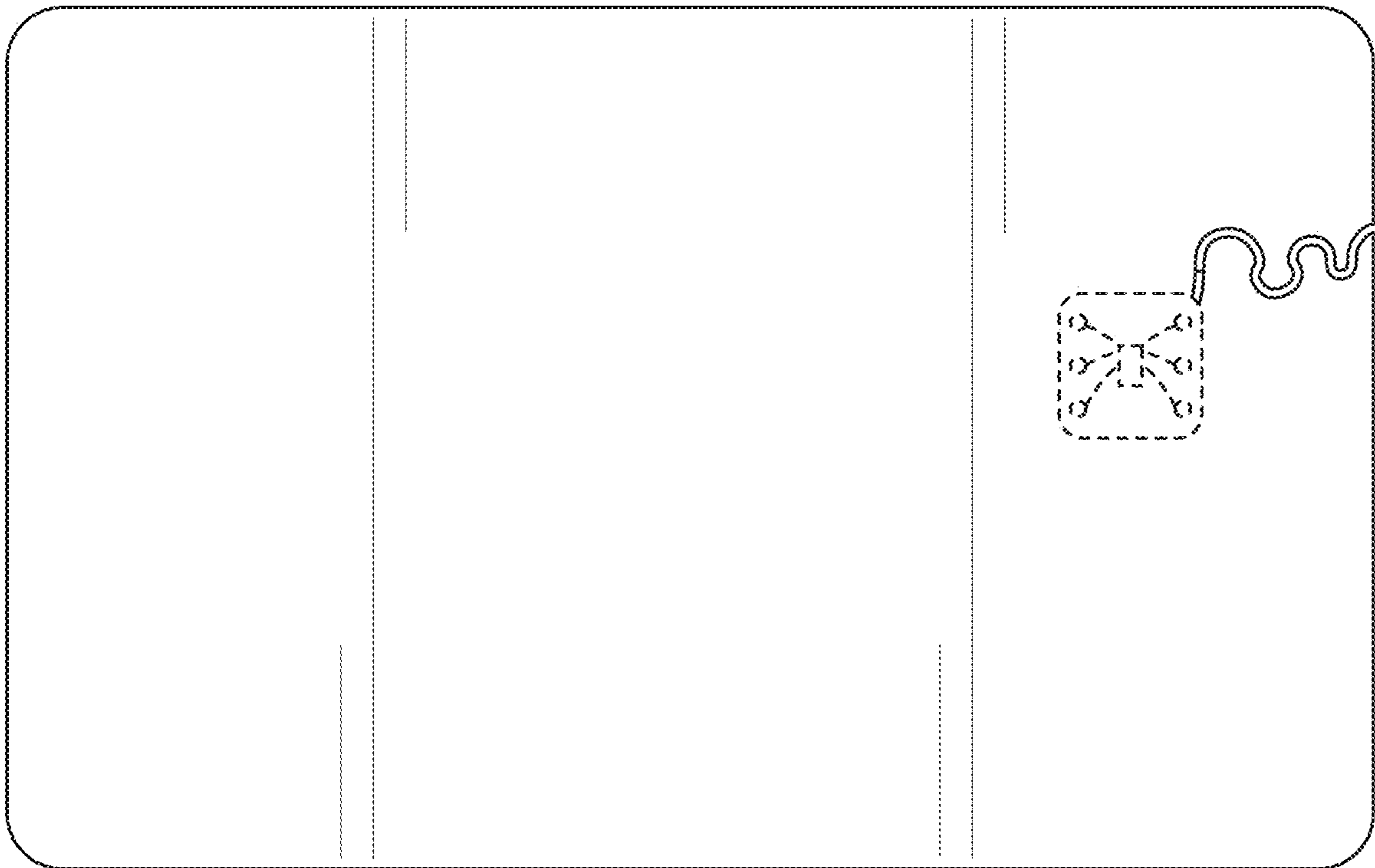


FIG. 20

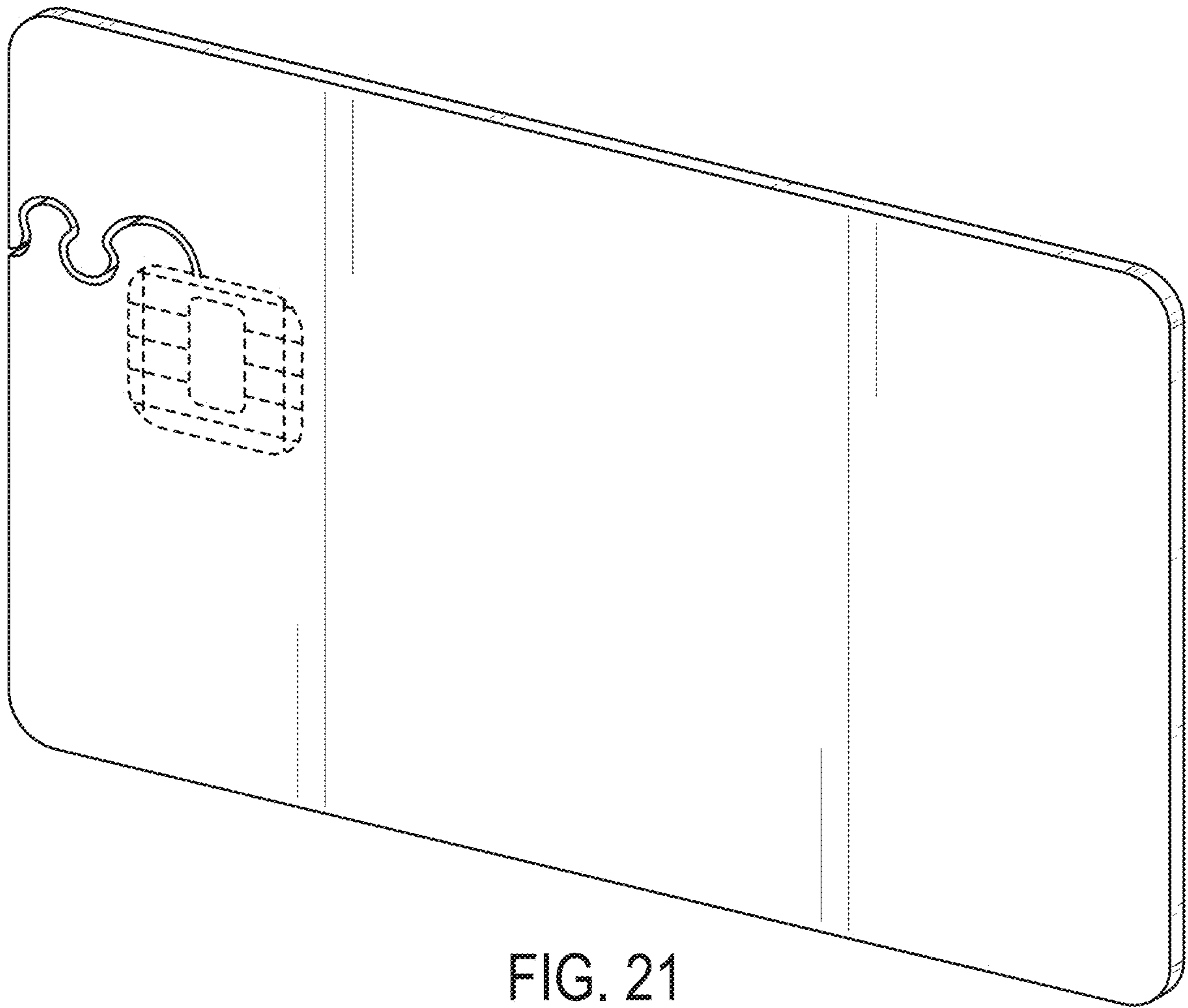


FIG. 21

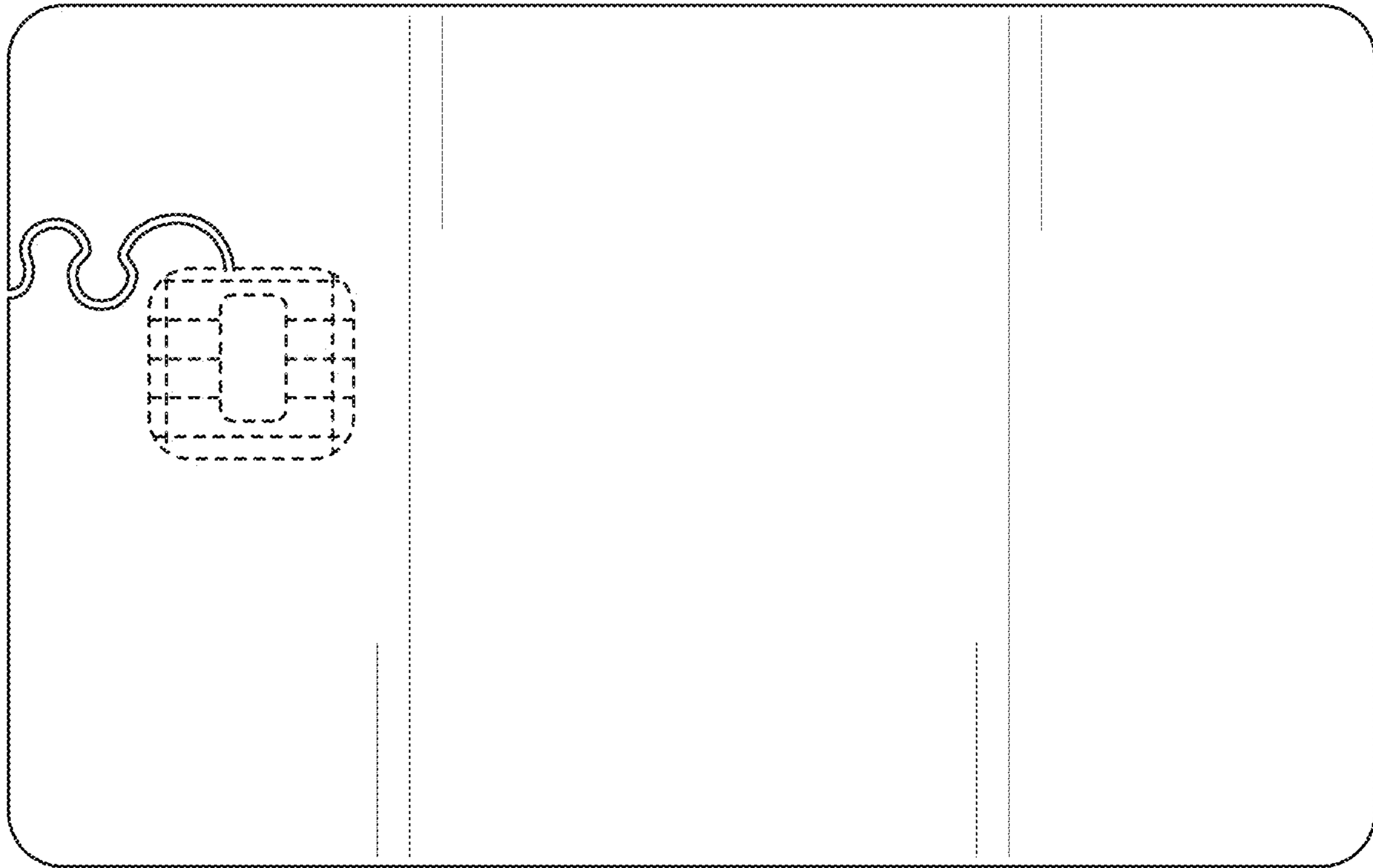


FIG. 22

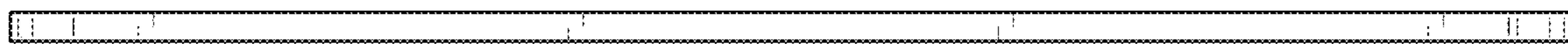


FIG. 23



FIG. 24

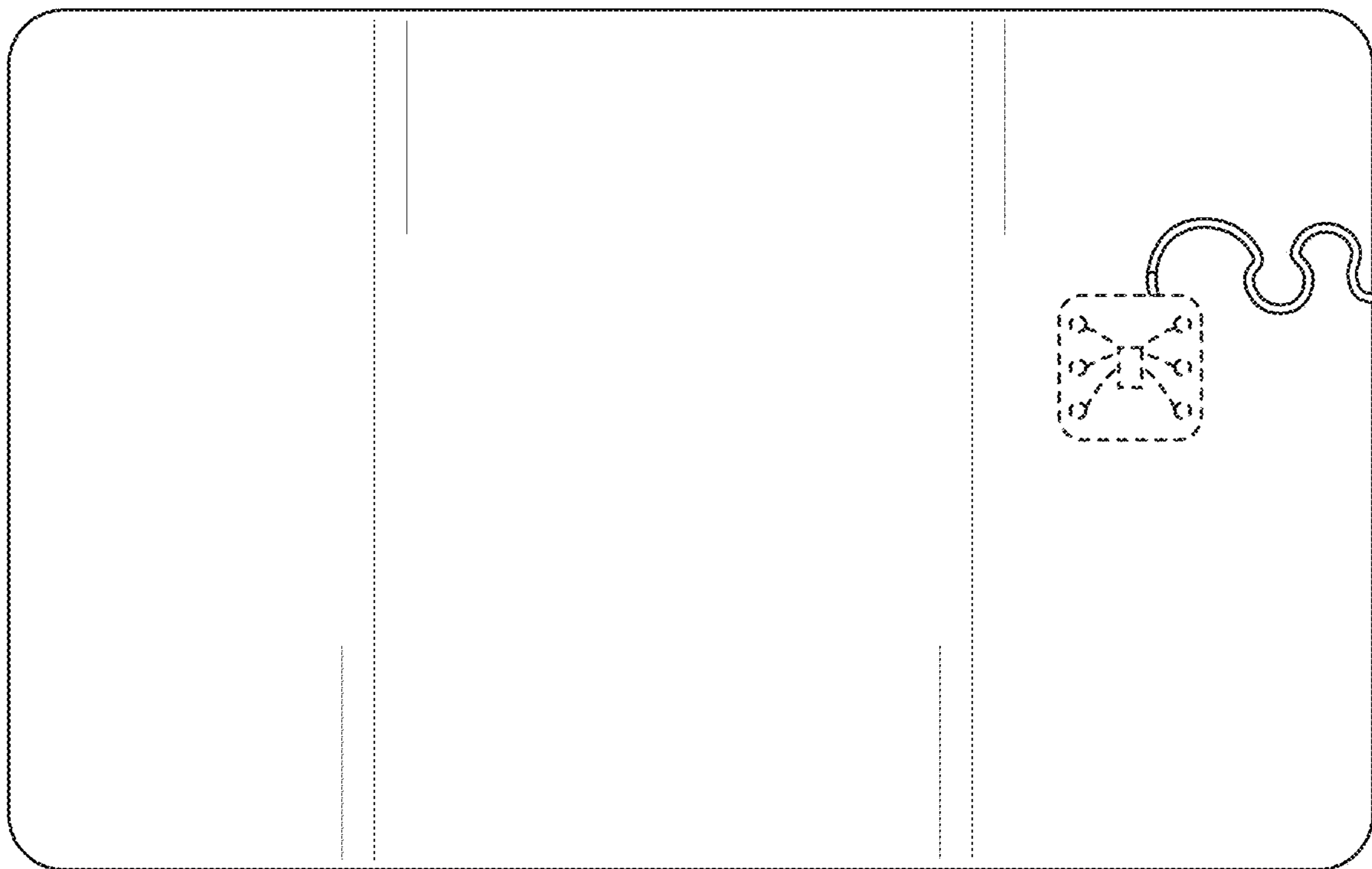


FIG. 25