



US00D879195S

(12) **United States Design Patent**
Miyashita

(10) **Patent No.:** **US D879,195 S**
(45) **Date of Patent:** **** Mar. 24, 2020**

(54) **PRINTER**

(71) Applicants: **CITIZEN WATCH CO., LTD.**,
Nishitokyo-shi, Tokyo (JP); **CITIZEN**
SYSTEMS JAPAN CO., LTD.,
Nishitokyo-shi, Tokyo (JP)

(72) Inventor: **Shinichi Miyashita**, Fujiyoshida (JP)

(73) Assignees: **Citizen Watch Co., LTD.**, Tokyo (JP);
Citizen Systems Japan Co., LTD.,
Tokyo (JP)

(**) Term: **15 Years**

(21) Appl. No.: **29/661,103**

(22) Filed: **Aug. 24, 2018**

(30) **Foreign Application Priority Data**

Feb. 28, 2018 (JP) 2018-004222

(51) **LOC (12) Cl.** **18-02**

(52) **U.S. Cl.**
USPC **D18/50**

(58) **Field of Classification Search**
USPC D14/299, 301-303, 307, 332, 386,
D14/420-425, 432, 439, 441, 443, 447,
D14/462-471, 474, 480.5, 483-484;
D18/12, 14, 18-19, 36-41, 43-54, 54.1,
D18/55-59, 99
CPC .. G06K 15/12; G06K 15/14; B41J 3/00; B41J
3/28; B41J 11/00; B41J 11/58; B41J
15/12; B41J 15/042; G03G 15/00; G03G
15/0142; H04N 1/00129; H04N 1/00135;
H04N 1/00204; H04N 1/00278
See application file for complete search history.

(56) **References Cited**

U.S. PATENT DOCUMENTS

D194,080 S * 11/1962 Hanson D18/37
D287,497 S * 12/1986 Goodner D18/55

D324,395 S * 3/1992 Dubson D18/54
D358,603 S * 5/1995 Dodge 347/108
D481,753 S * 11/2003 Hattori D18/50
D482,060 S * 11/2003 Hattori D18/50
D482,719 S * 11/2003 Hattori D18/50
D622,760 S * 8/2010 Kimura D18/50
D720,397 S * 12/2014 Hirabayashi D18/50
D761,902 S 7/2016 Matsumoto
D761,903 S 7/2016 Matsumoto
D761,904 S 7/2016 Matsumoto
D836,113 S * 12/2018 Kimura B41J 2/17509
D14/421
2014/0104349 A1 * 4/2014 Kimura B41J 2/17509
347/85
2019/0077159 A1 * 3/2019 Hayashi B41J 2/17509

FOREIGN PATENT DOCUMENTS

CN 303912288 S 11/2016

* cited by examiner

Primary Examiner — Cathron C Brooks

Assistant Examiner — Andrew T Nemeth

(74) *Attorney, Agent, or Firm* — RatnerPrestia

(57) **CLAIM**

The ornamental design for a printer, as shown and described.

DESCRIPTION

FIG. 1 is a perspective view of a printer showing my new design;

FIG. 2 is a front elevational view thereof;

FIG. 3 is a left side elevational view thereof;

FIG. 4 is a right side elevational view thereof;

FIG. 5 is a rear elevational view thereof;

FIG. 6 is a top plan view thereof; and,

FIG. 7 is a bottom plan view thereof.

The dashed broken lines depict environmental subject matter and form no part of the claimed design. The dash-dot-dash broken lines define bounds of the claim and form no part thereof.

1 Claim, 5 Drawing Sheets

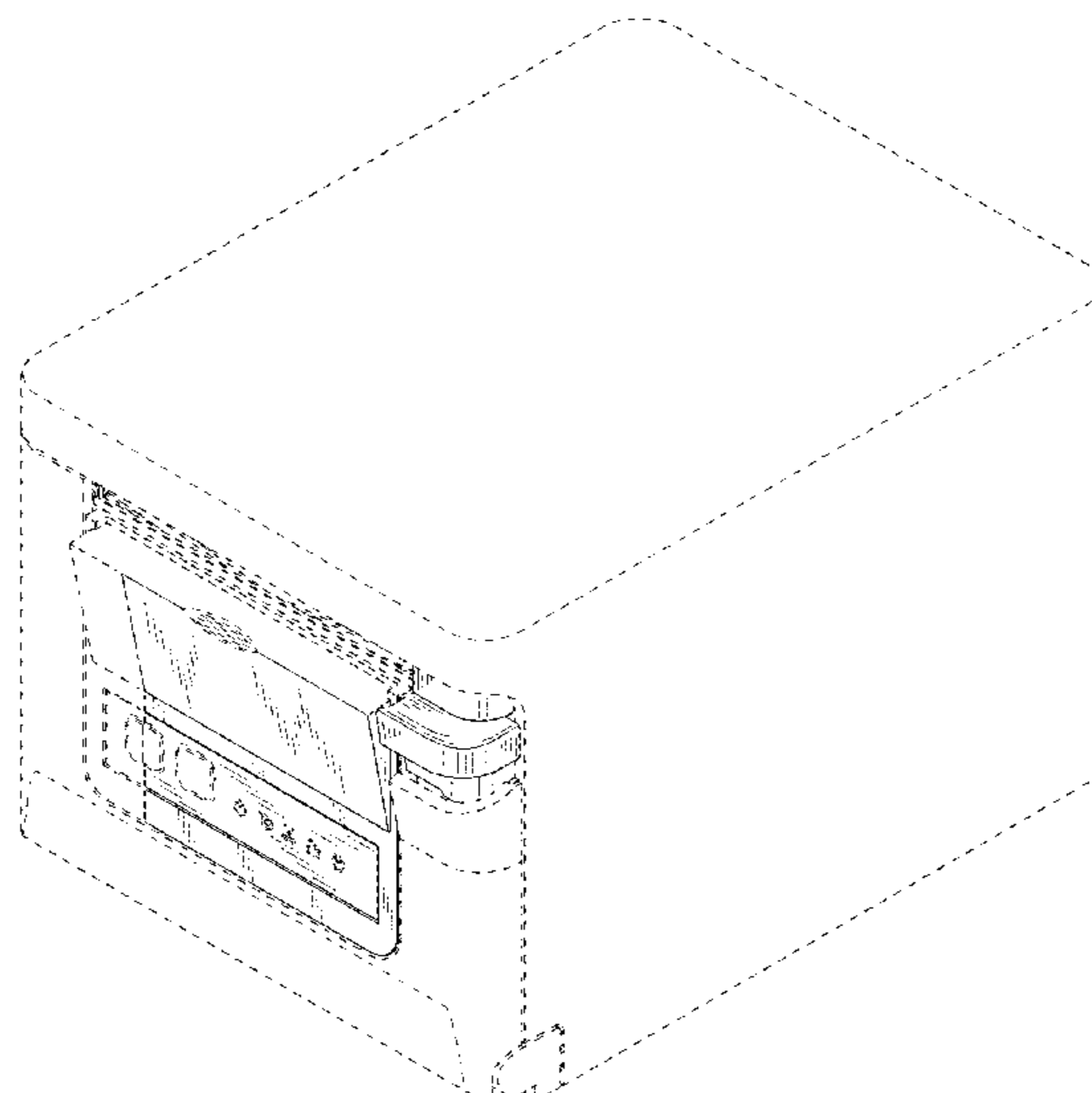


FIG. 1

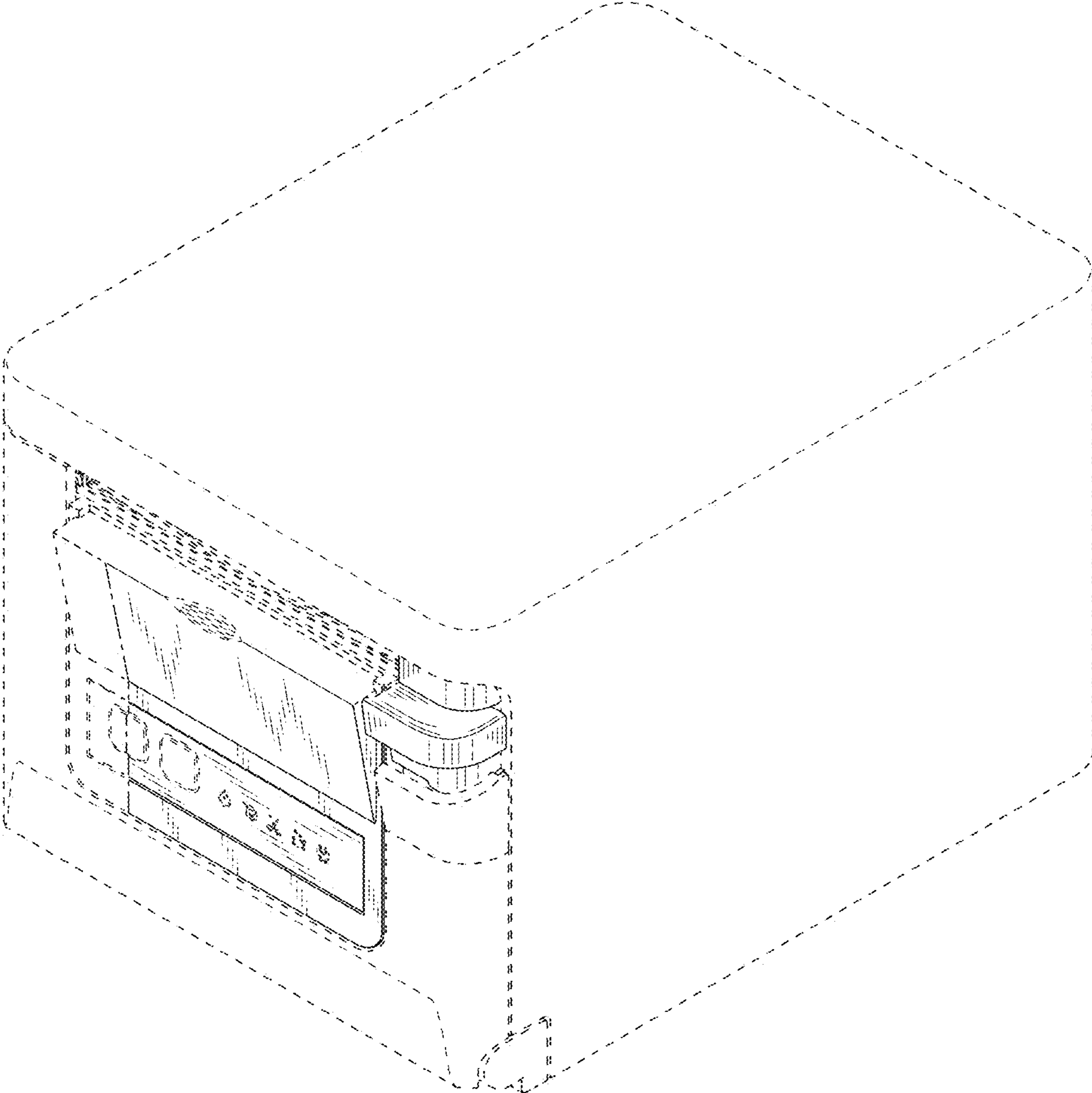


FIG. 2

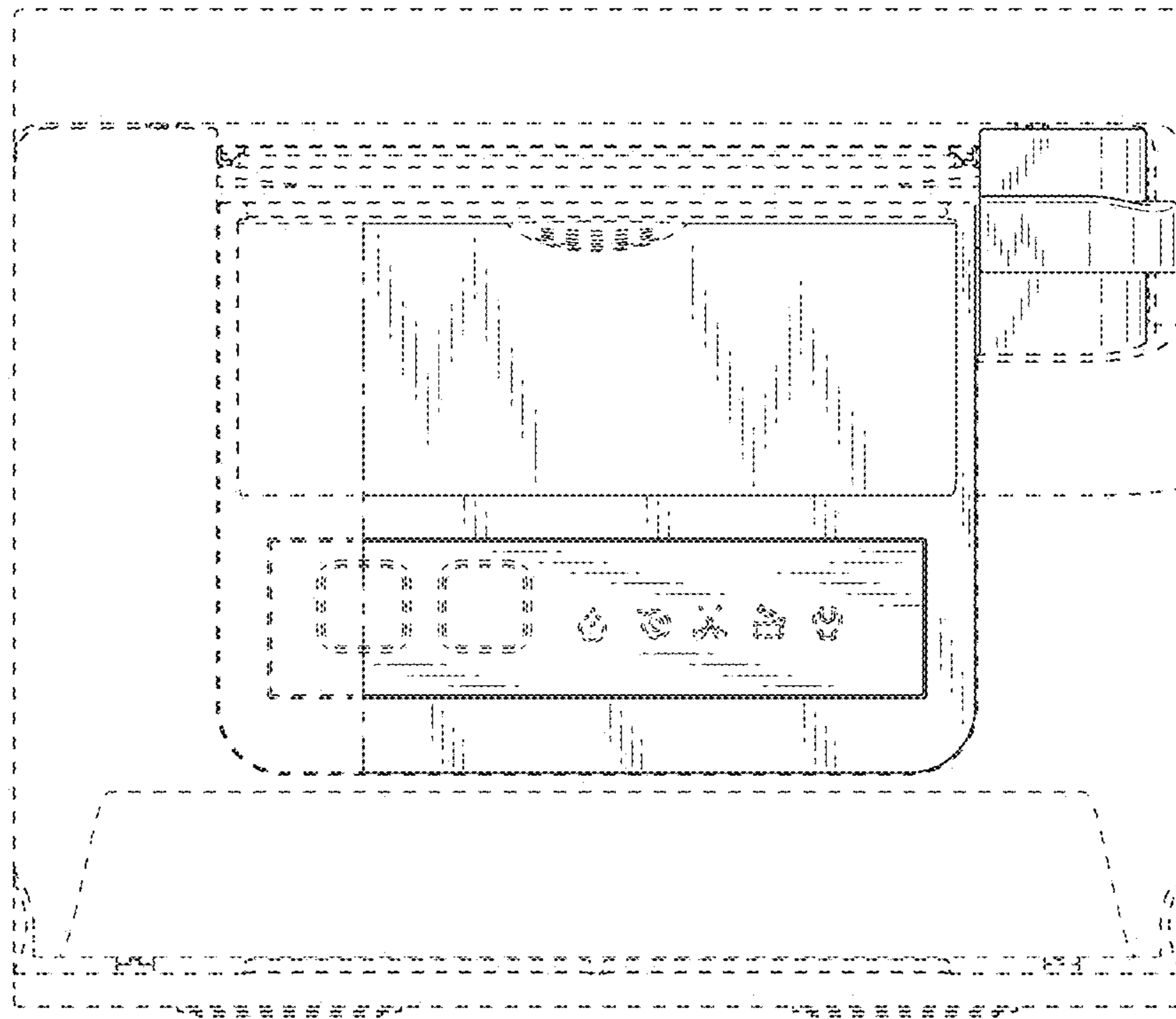


FIG. 3



FIG. 4



FIG. 5

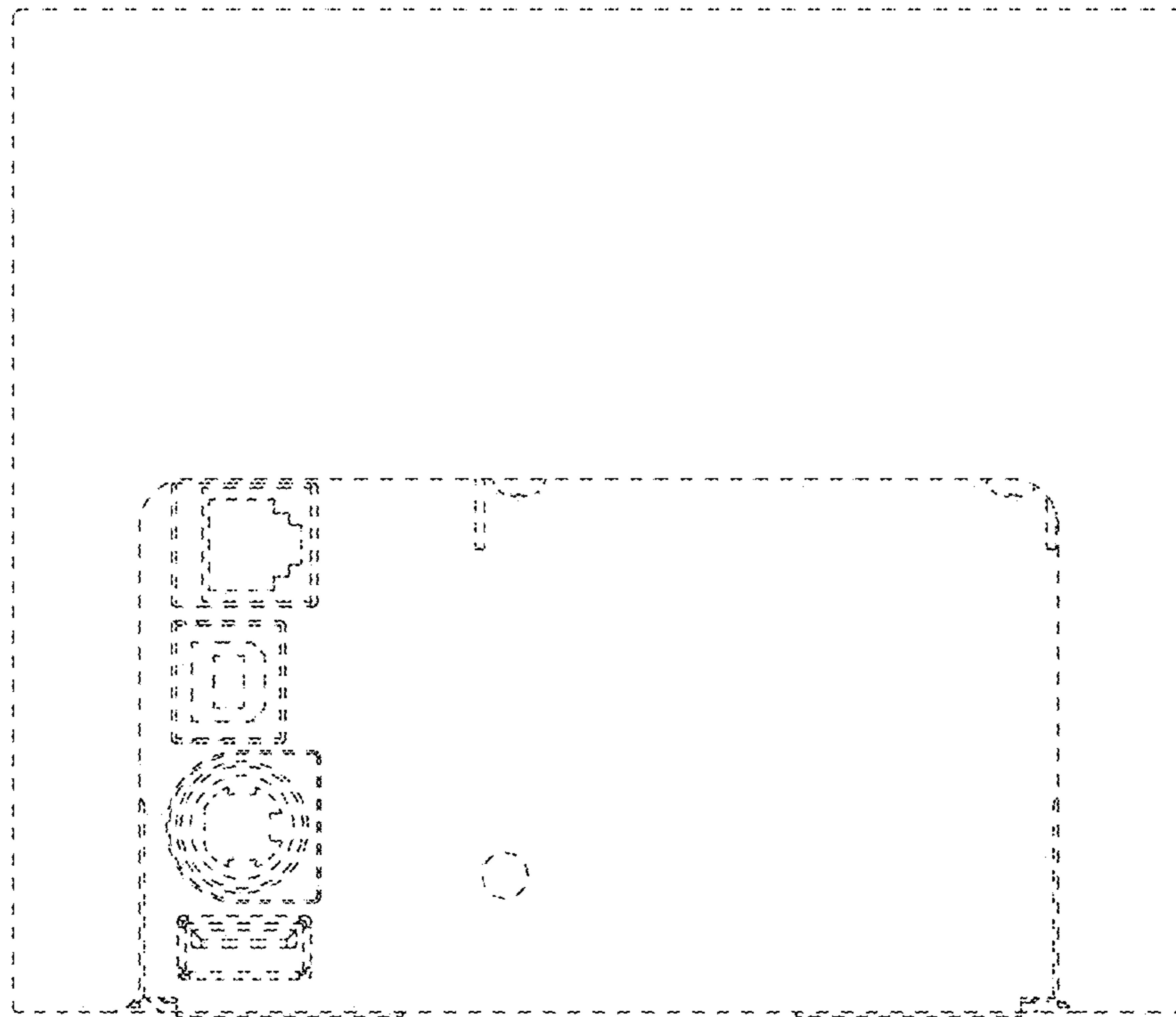


FIG. 6



FIG. 7

