



US00D879194S

(12) **United States Design Patent**  
**Kikuchi et al.**

(10) **Patent No.:** **US D879,194 S**  
(45) **Date of Patent:** **\*\* Mar. 24, 2020**

(54) **PORTION OF A POWDER CONTAINER**

(71) Applicants: **Kenji Kikuchi**, Ohta-ku (JP); **Shinji Tamaki**, Ohta-ku (JP)

(72) Inventors: **Kenji Kikuchi**, Ohta-ku (JP); **Shinji Tamaki**, Ohta-ku (JP)

(73) Assignee: **RICOH COMPANY, LTD.**, Tokyo (JP)

(\*\*) Term: **15 Years**

(21) Appl. No.: **29/531,413**

(22) Filed: **Jun. 25, 2015**

**Related U.S. Application Data**

(63) Continuation of application No. 29/465,626, filed on Aug. 29, 2013, now Pat. No. Des. 734,386.

(30) **Foreign Application Priority Data**

May 17, 2013 (JP) ..... 2013-010888

(51) **LOC (12) Cl.** ..... **16-03**

(52) **U.S. Cl.**  
USPC ..... **D18/43**

(58) **Field of Classification Search**

USPC ..... D18/12, 36, 40, 43-44, 50, 565;  
D14/471; 347/49, 50, 197, 222; 399/11,  
399/106, 110, 120, 230, 258, 262  
(Continued)

(56) **References Cited**

**U.S. PATENT DOCUMENTS**

D606,583 S \* 12/2009 Kurenuma ..... D18/43  
D636,016 S \* 4/2011 Naito ..... D18/43  
(Continued)

**OTHER PUBLICATIONS**

U.S. Appl. No. 29/465,623, filed Aug. 29, 2013, Kikuchi, et al.  
U.S. Appl. No. 29/465,616, filed Aug. 29, 2013, Kikuchi, et al.  
U.S. Appl. no. 29/531,413, filed Jun. 25, 2015, Kikuchi, et al.

*Primary Examiner* — Amy C Wierenga

(74) *Attorney, Agent, or Firm* — Oblon, McClelland, Maier & Neustadt, L.L.P.

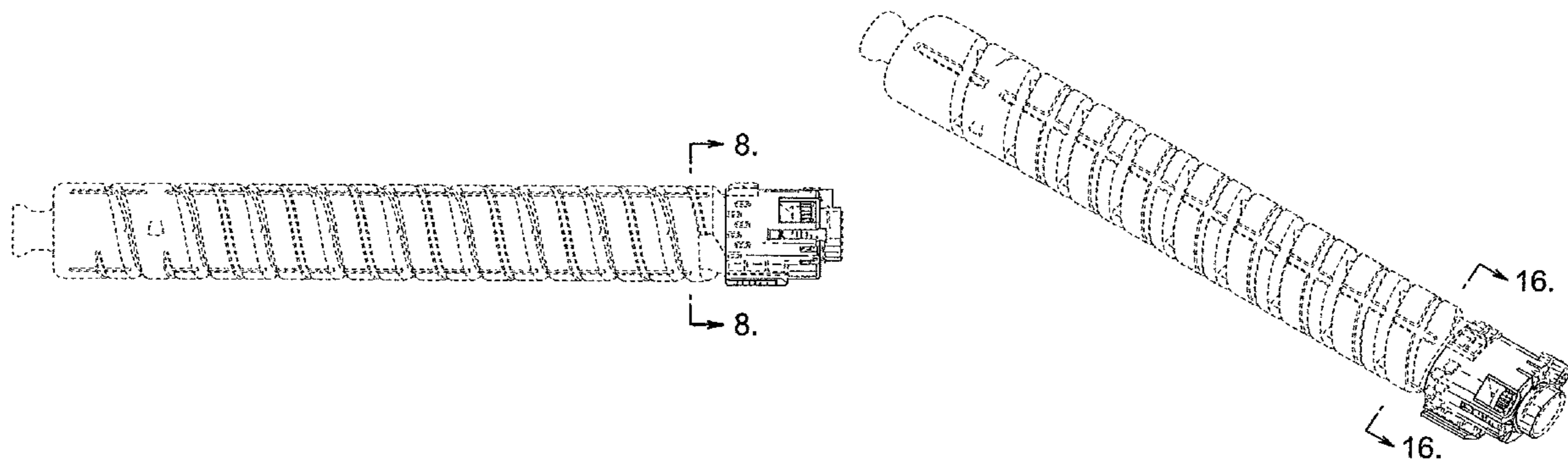
(57) **CLAIM**

The ornamental design for a portion of a powder container, as shown and described.

**DESCRIPTION**

FIG. 1 is a front elevational view of a portion of a powder container showing our new design; FIG. 2 is a rear elevational view thereof; FIG. 3 is a left side elevational view thereof; FIG. 4 is a right side elevational view thereof; FIG. 5 is a top plan view thereof; FIG. 6 is a bottom plan view thereof; FIG. 7 is an enlarged right side elevational view thereof; FIG. 8 is an enlarged front elevational view thereof from 8.-8. of FIG. 1; FIG. 9 is an enlarged rear elevational view thereof from 9.-9. of FIG. 2; FIG. 10 is an enlarged top plan view thereof from 10.-10. of FIG. 5; FIG. 11 is an enlarged bottom plan view thereof from 11.-11. of FIG. 6; FIG. 12 is a front perspective view thereof; FIG. 13 is a rear perspective view thereof; FIG. 14 is a bottom rear perspective view thereof; FIG. 15 is a bottom front perspective view thereof; FIG. 16 is an enlarged front perspective view thereof from 16.-16. of FIG. 12; FIG. 17 is an enlarged rear perspective view thereof from 17.-17. of FIG. 13; FIG. 18 is an enlarged bottom rear perspective view thereof from 18.-18. of FIG. 14; and, FIG. 19 is an enlarged bottom front perspective view thereof from 19.-19. of FIG. 15.  
The broken lines shown in the drawings depict portions of the article that form no part of the claim.

**1 Claim, 10 Drawing Sheets**



(58) **Field of Classification Search**

CPC ..... G03G 15/0832; G03G 15/0834; G03G  
15/0836; G03G 15/0837; G03G 15/0867;  
G03G 15/0868; G03G 15/0872

See application file for complete search history.

(56) **References Cited**

U.S. PATENT DOCUMENTS

D636,435	S	4/2011	Naito et al.	
D636,436	S *	4/2011	Takami .....	D18/43
D636,813	S *	4/2011	Kikuchi .....	D18/43
D648,781	S *	11/2011	Sakai .....	D18/43
D650,414	S *	12/2011	Takami .....	D18/43
D652,074	S	1/2012	Sakai et al.	
D653,702	S	2/2012	Amberg et al.	
D656,181	S *	3/2012	Kikuchi .....	D18/43
D683,391	S *	5/2013	Takahashi .....	D18/43
D718,380	S	11/2014	Kikuchi et al.	
D718,382	S	11/2014	Kikuchi et al.	
D734,386	S *	7/2015	Kikuchi .....	D18/43
D736,850	S	8/2015	Kikuchi et al.	
D740,356	S *	10/2015	Kikuchi .....	D18/43
D753,216	S *	4/2016	Kikuchi .....	D18/43
2012/0195645	A1 *	8/2012	Takami .....	G03G 15/0886 399/262
2012/0321341	A1 *	12/2012	Hori .....	G03G 15/0881 399/110
2014/0294435	A1 *	10/2014	Kikuchi .....	G03G 15/0886 399/106
2016/0004184	A1 *	1/2016	Kikuchi .....	G03G 15/087 399/258

\* cited by examiner

FIG. 1

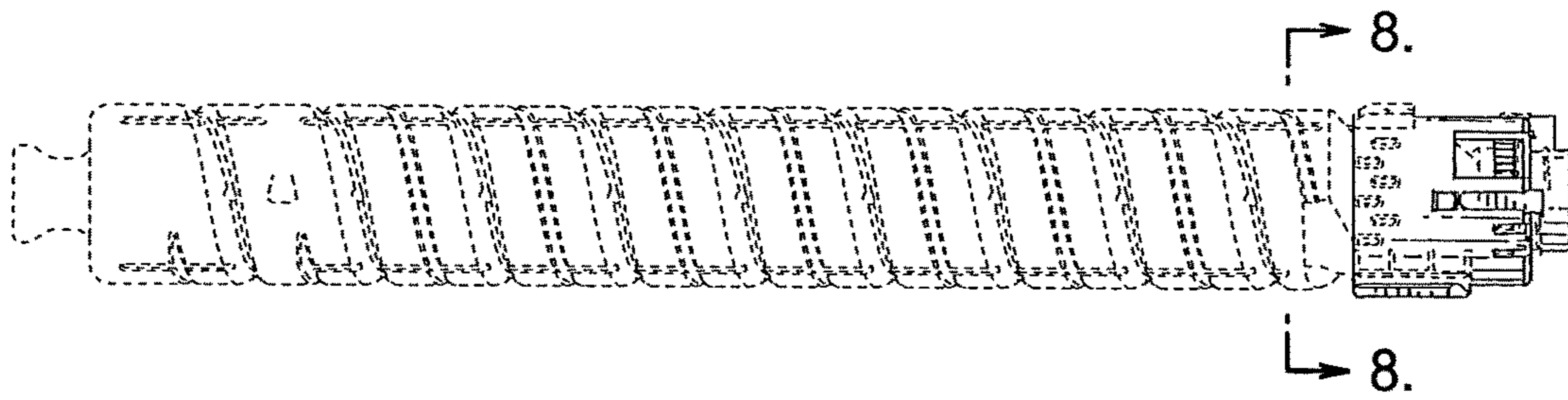
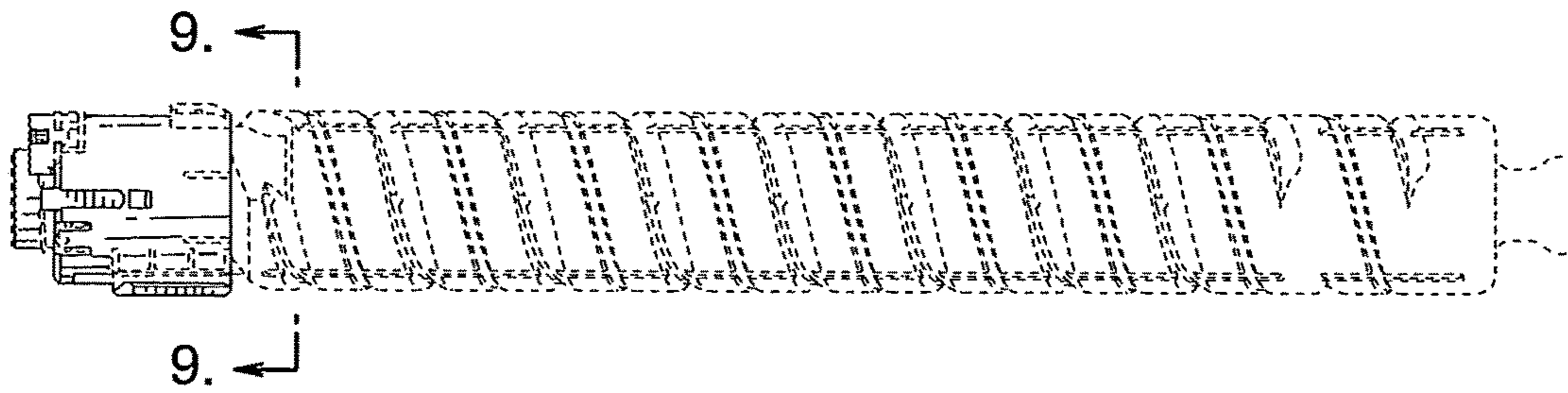
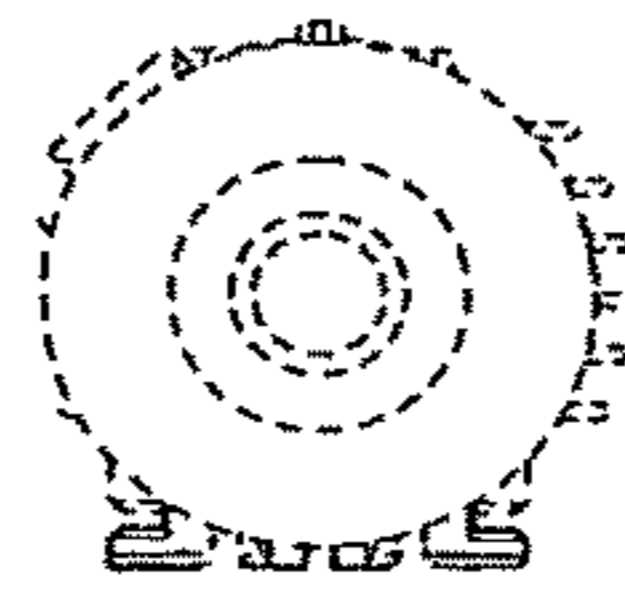


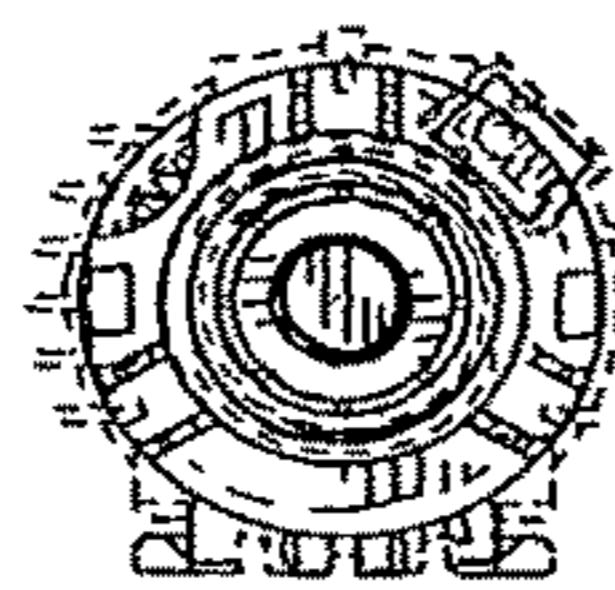
FIG. 2



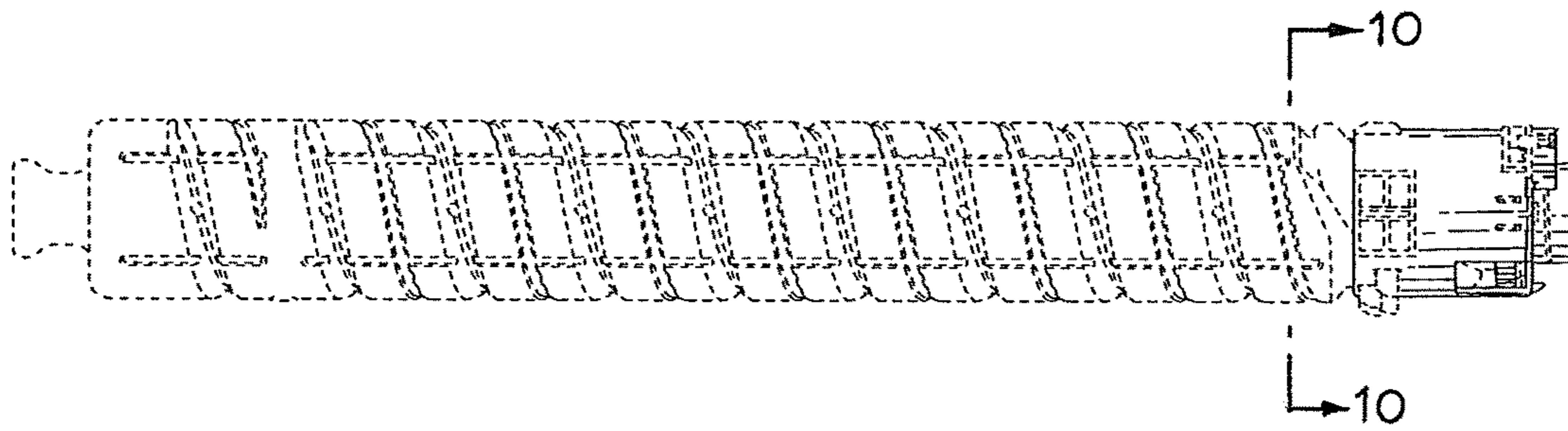
**FIG. 3**



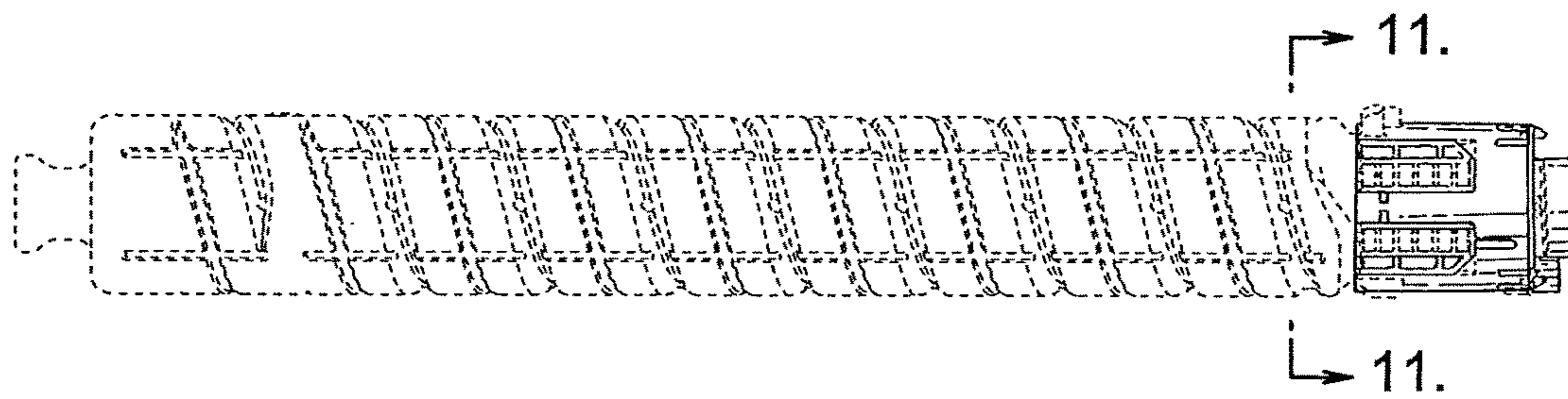
**FIG. 4**



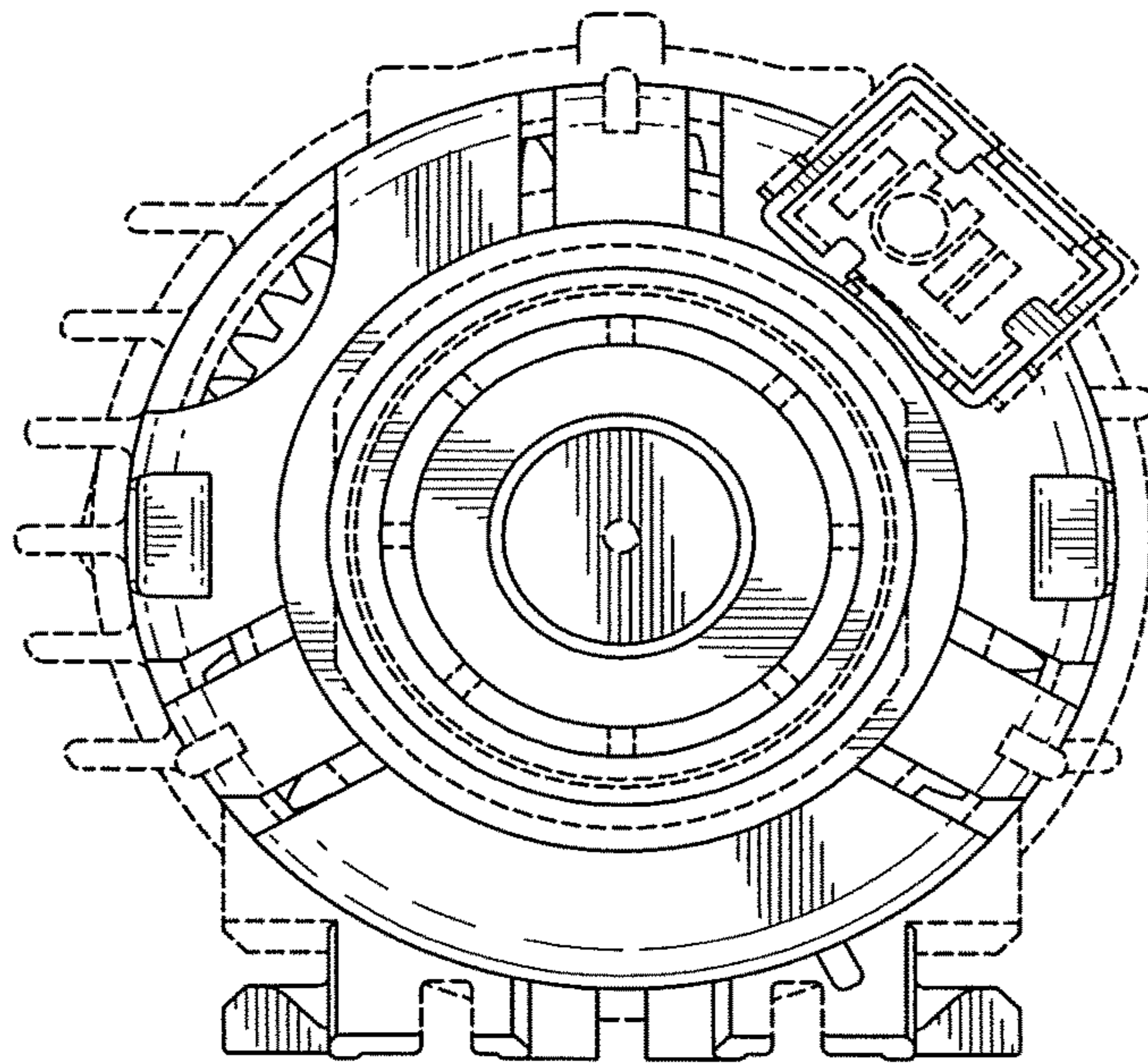
**FIG. 5**



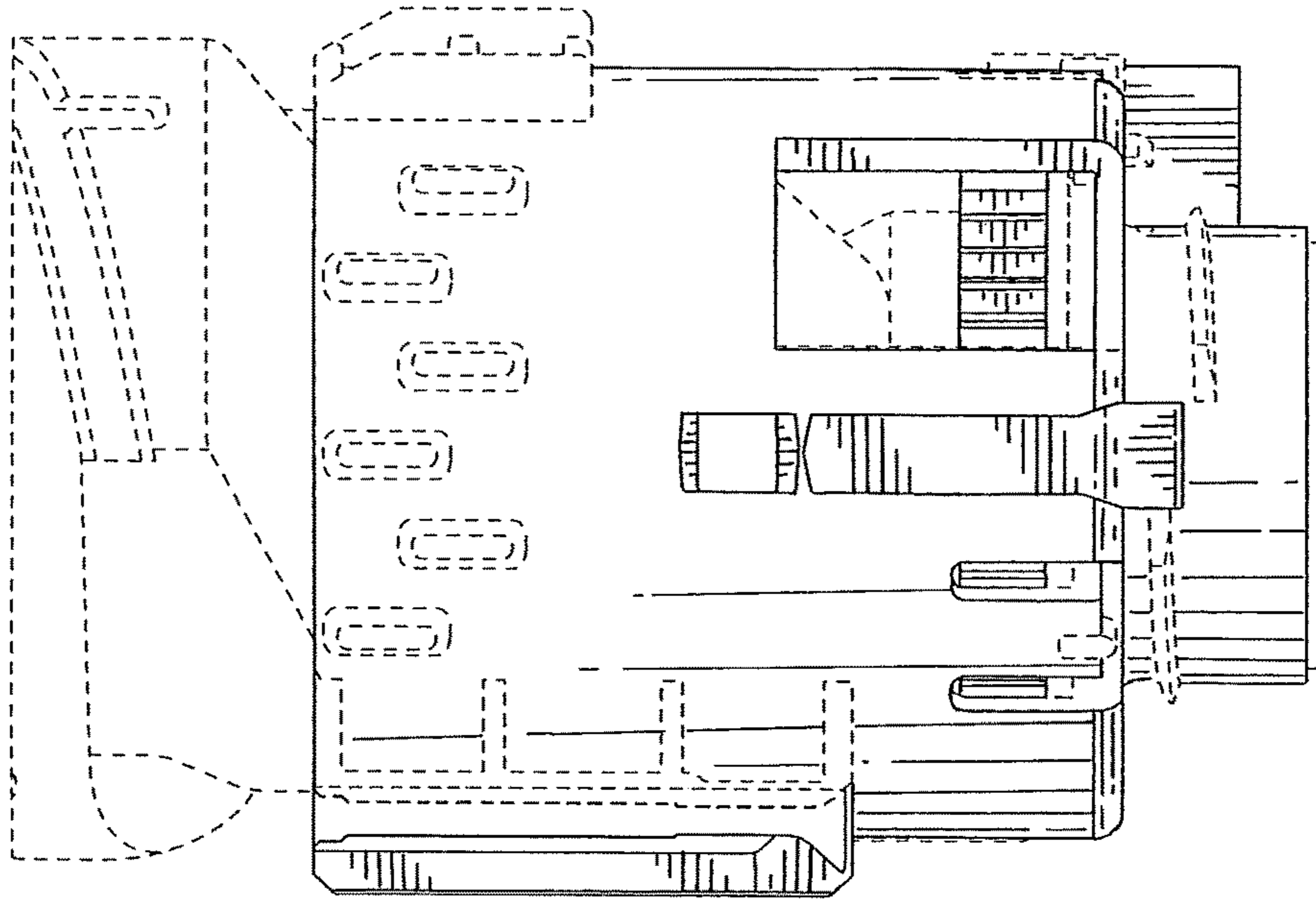
**FIG. 6**



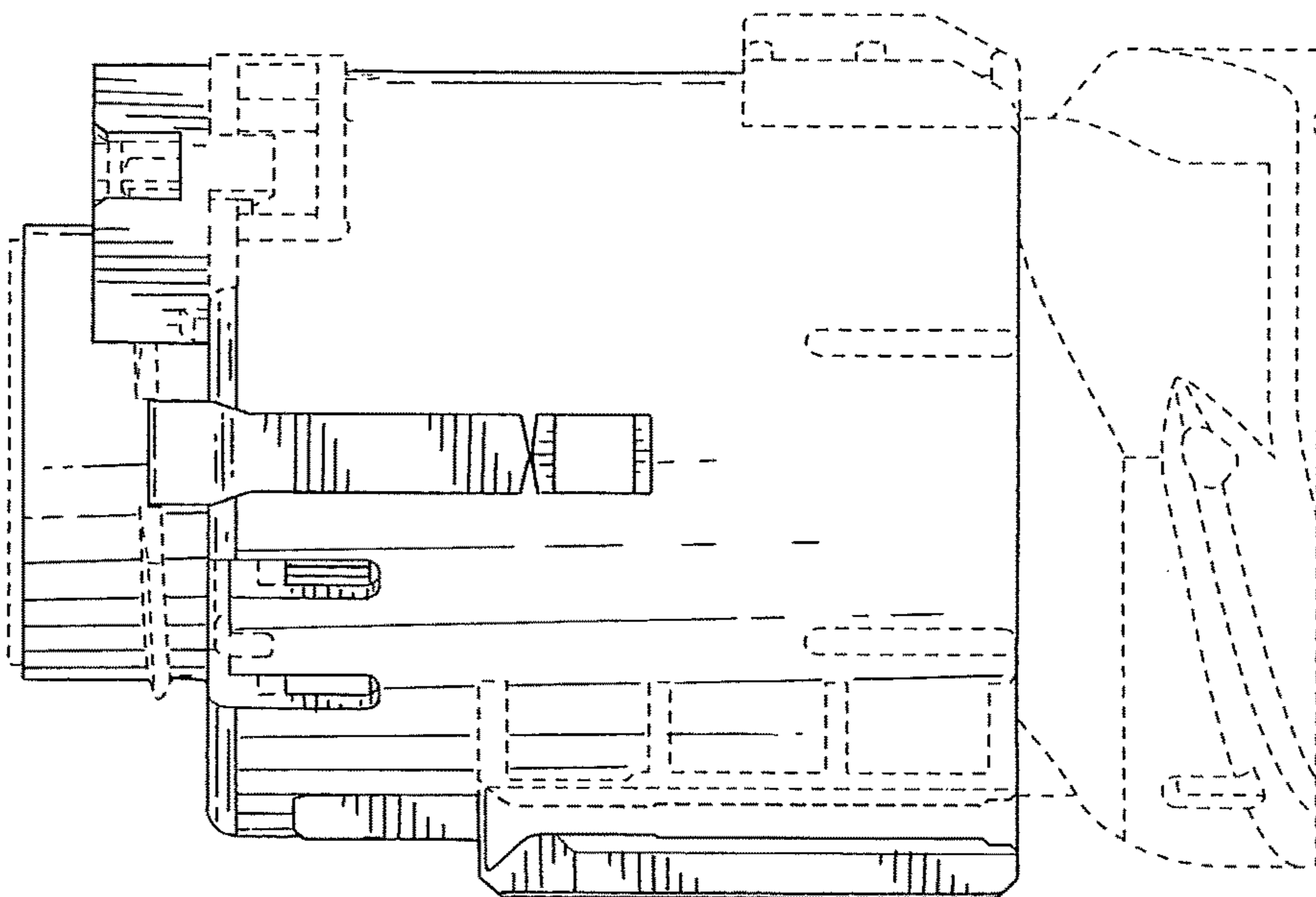
**FIG. 7**



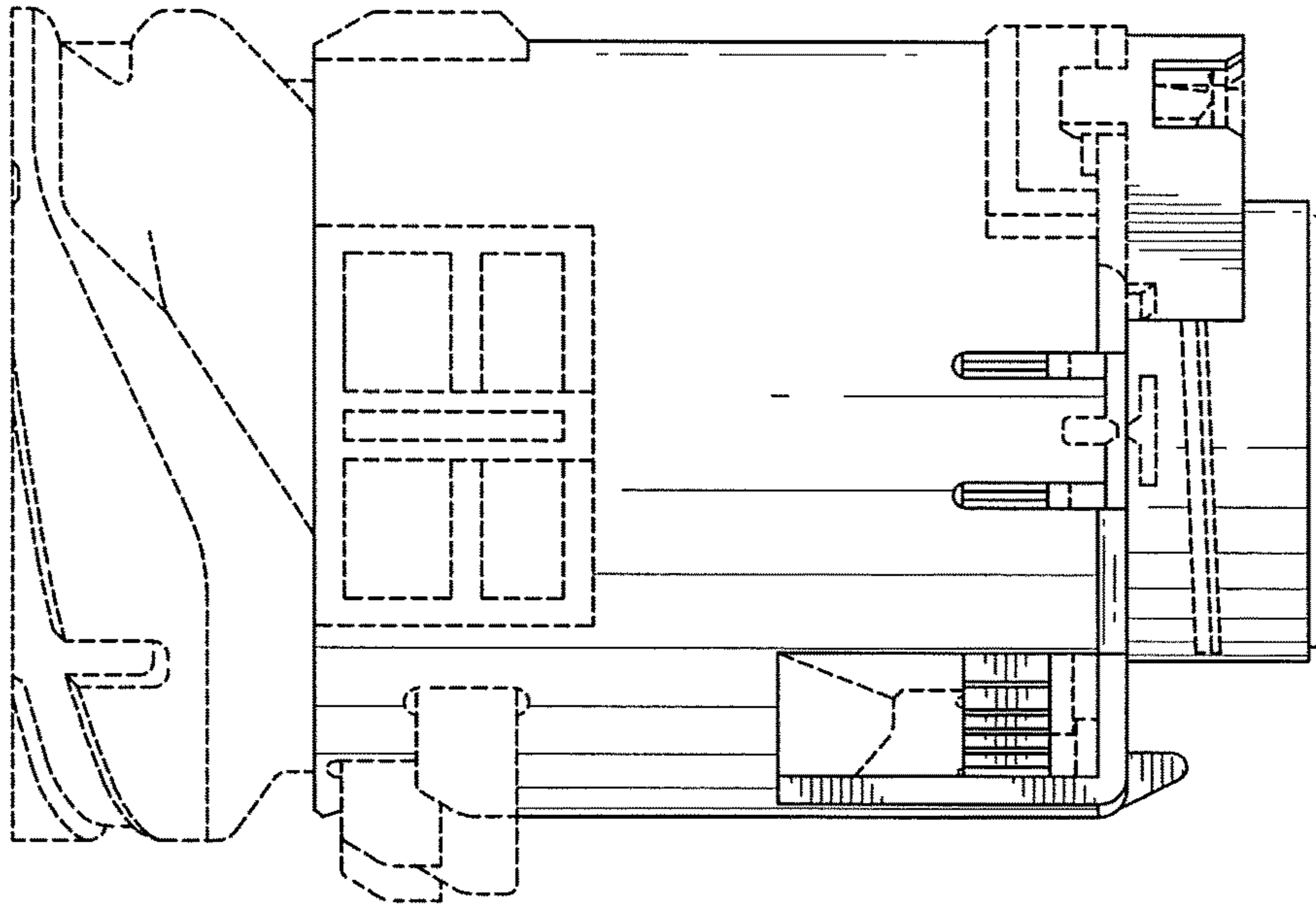
**FIG. 8**



**FIG. 9**



**FIG. 10**



**FIG. 11**

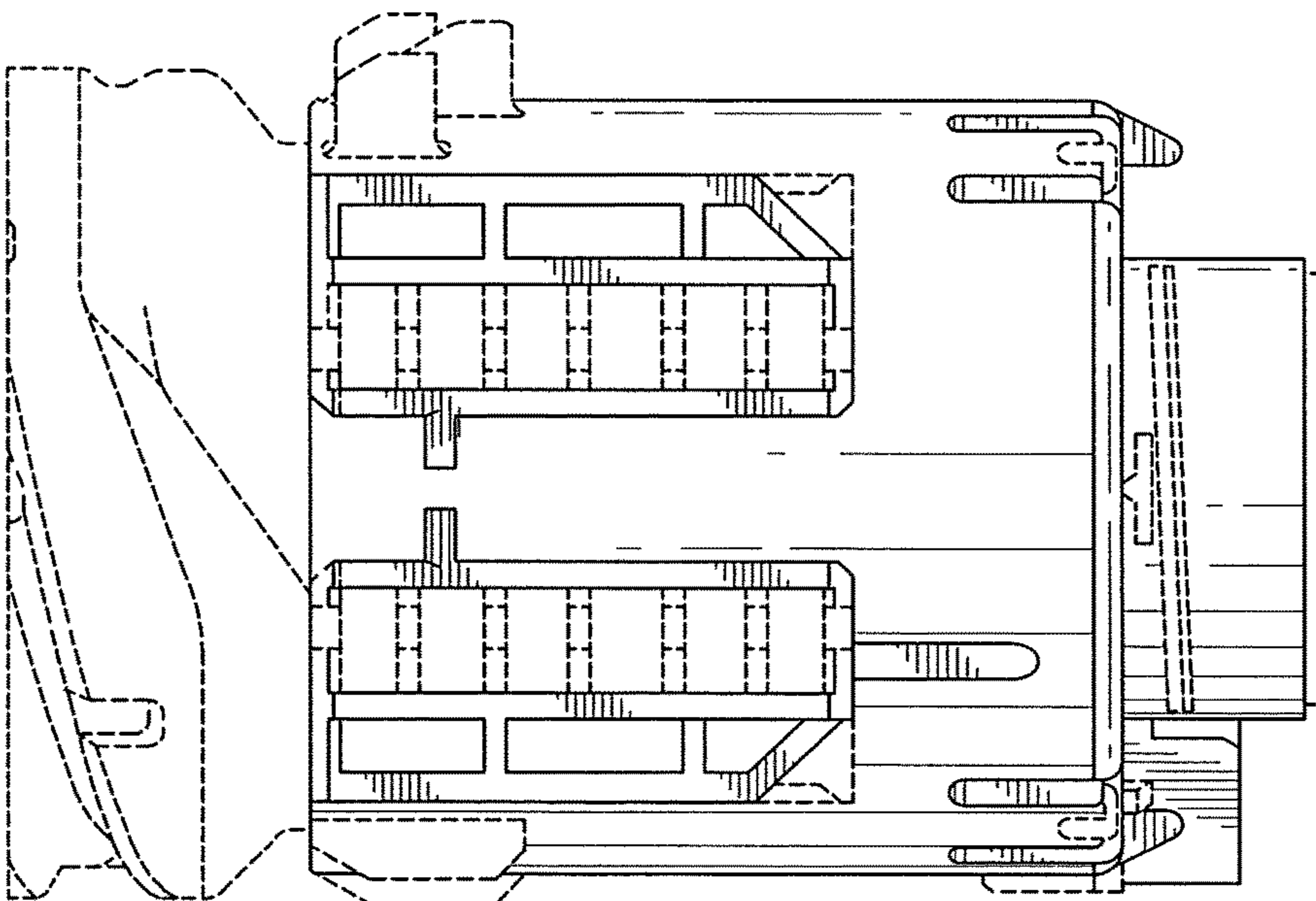




FIG. 12

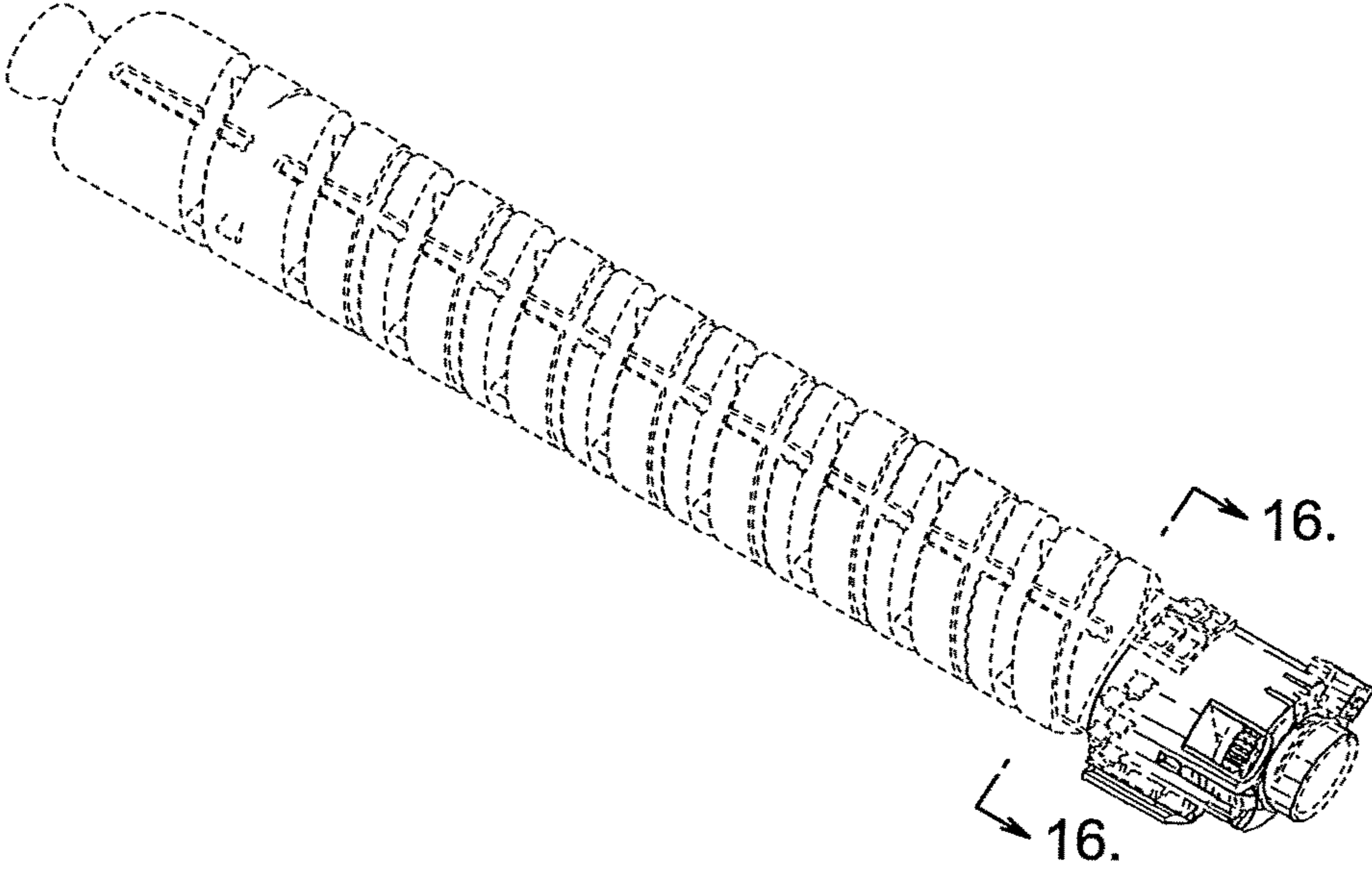
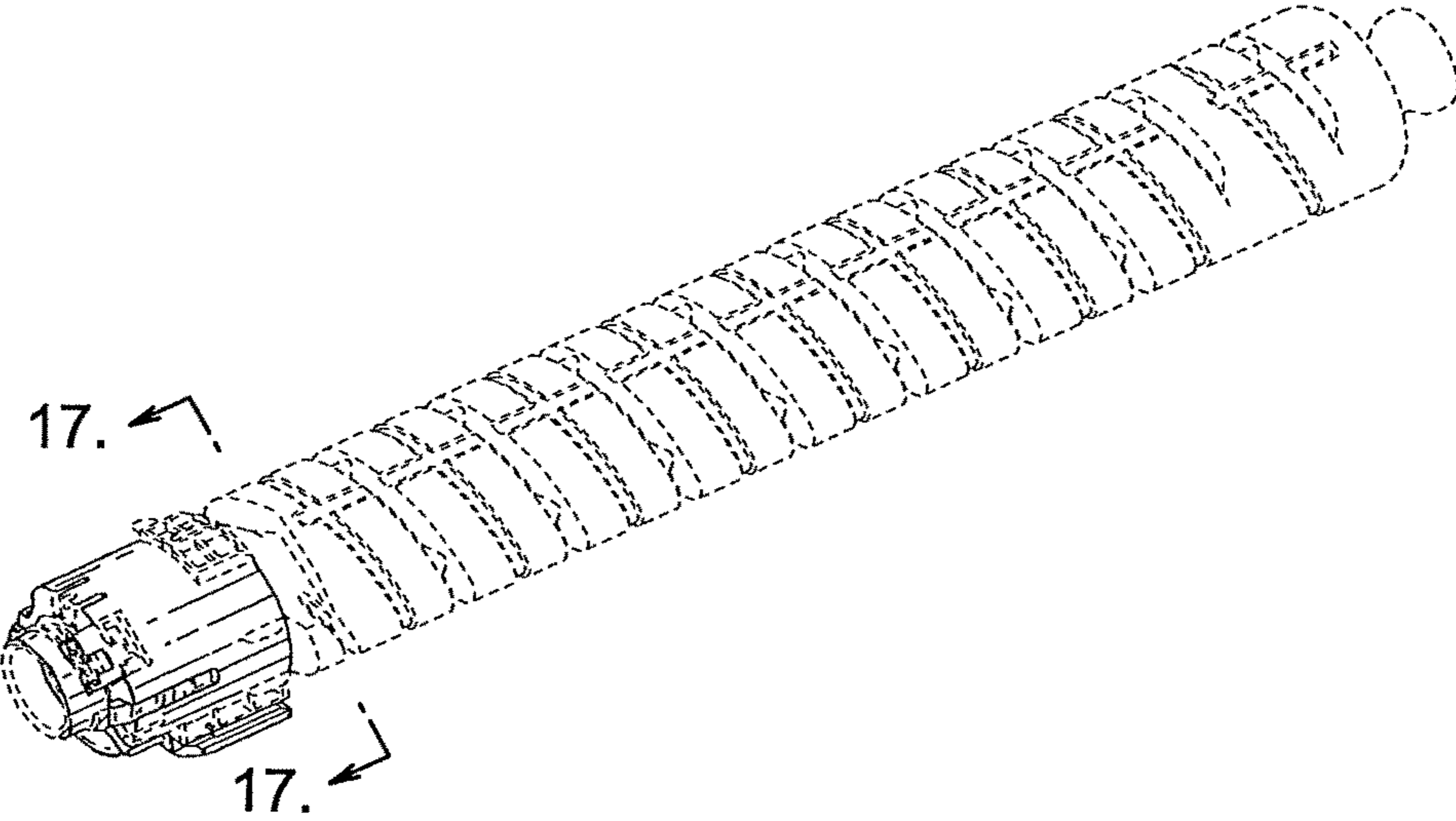
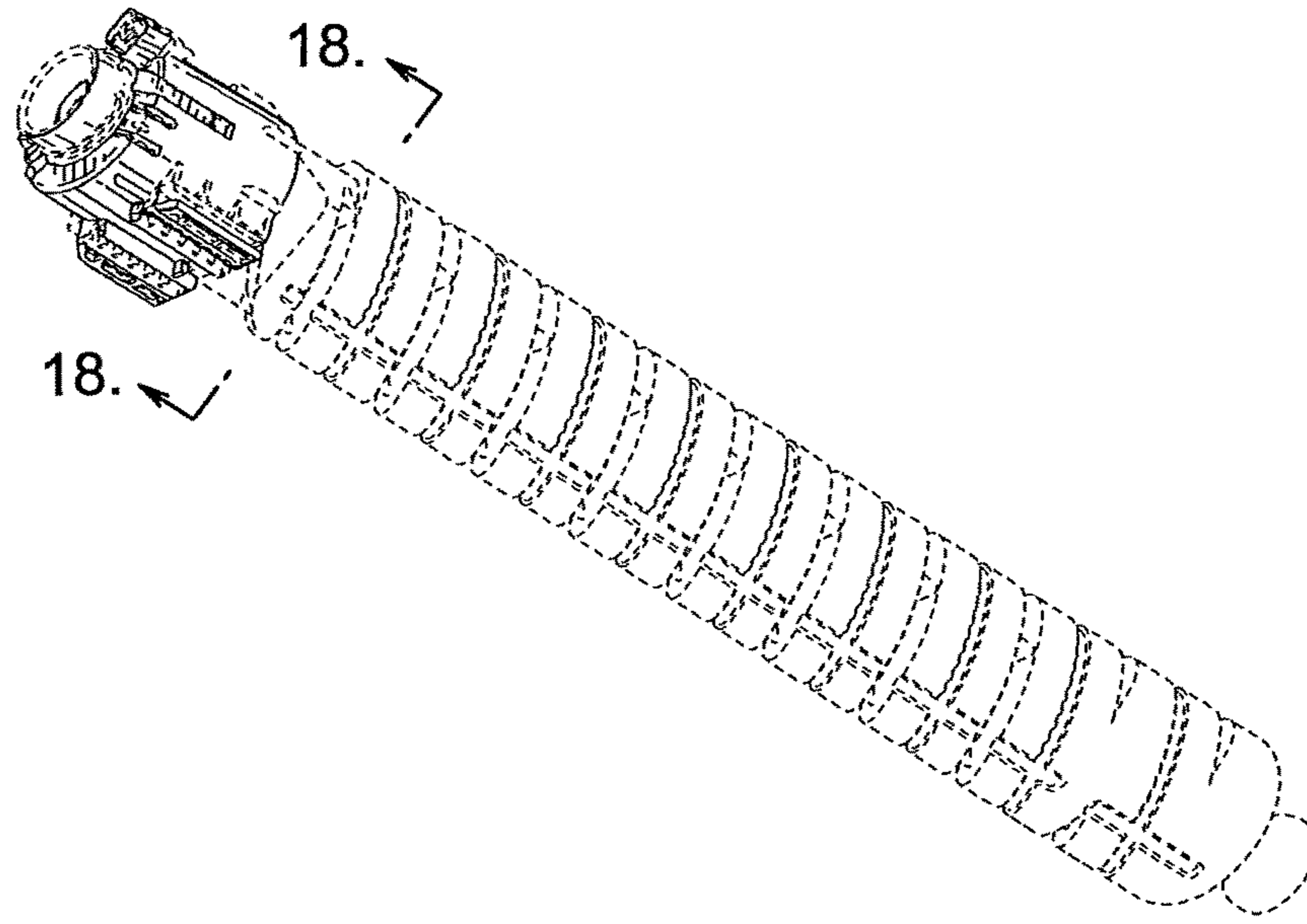


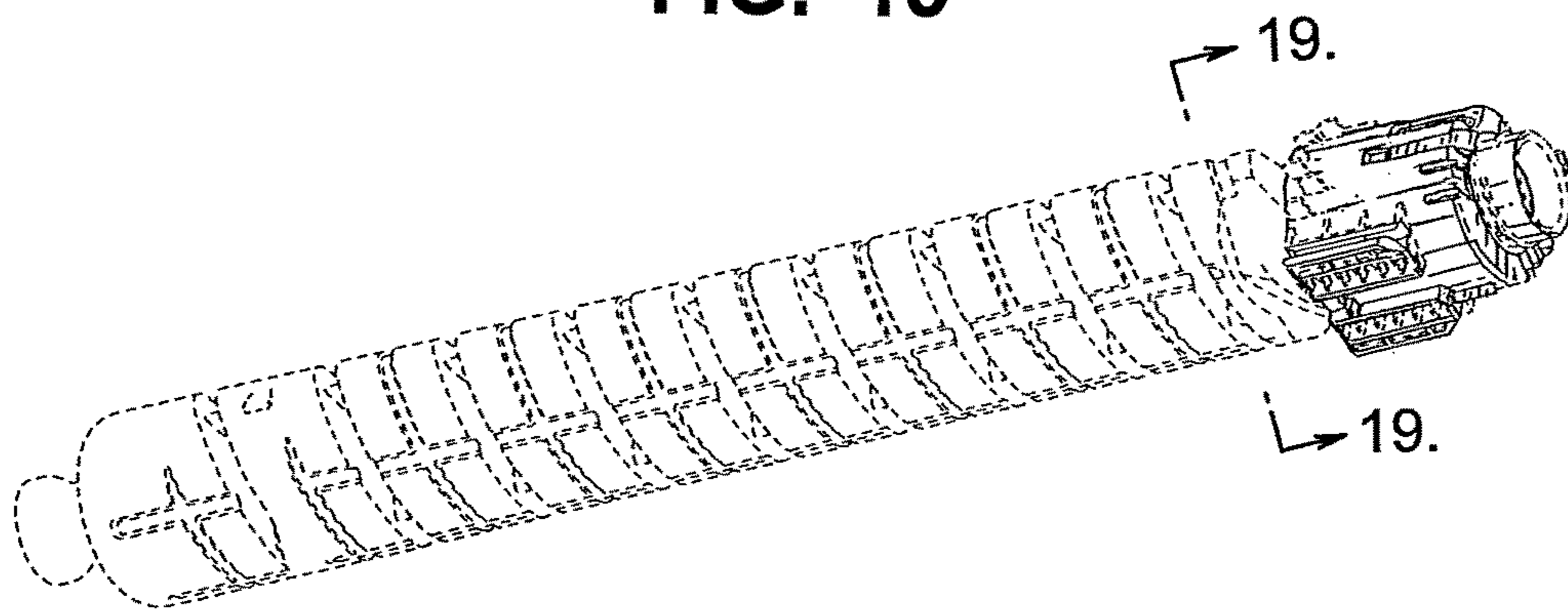
FIG. 13



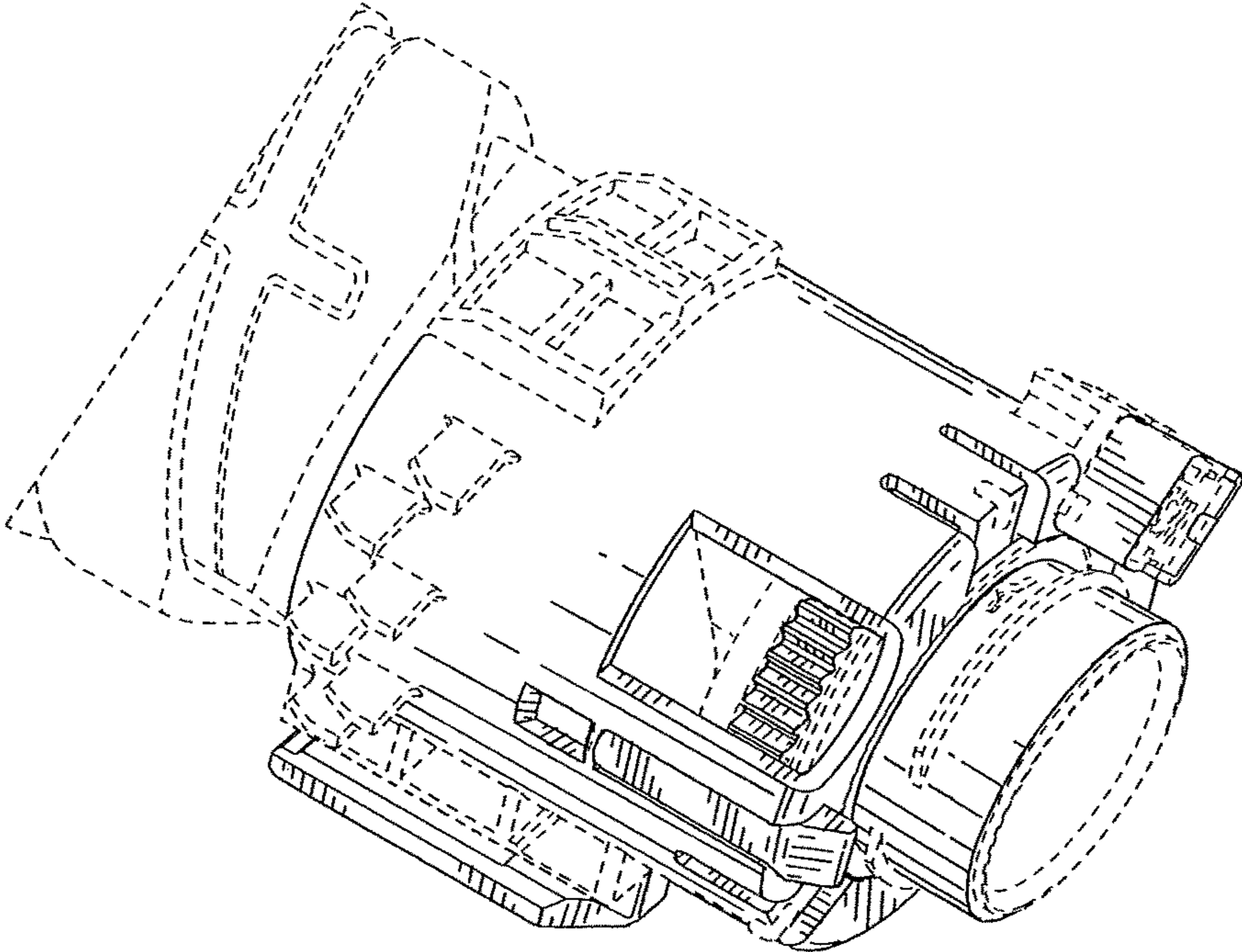
**FIG. 14**



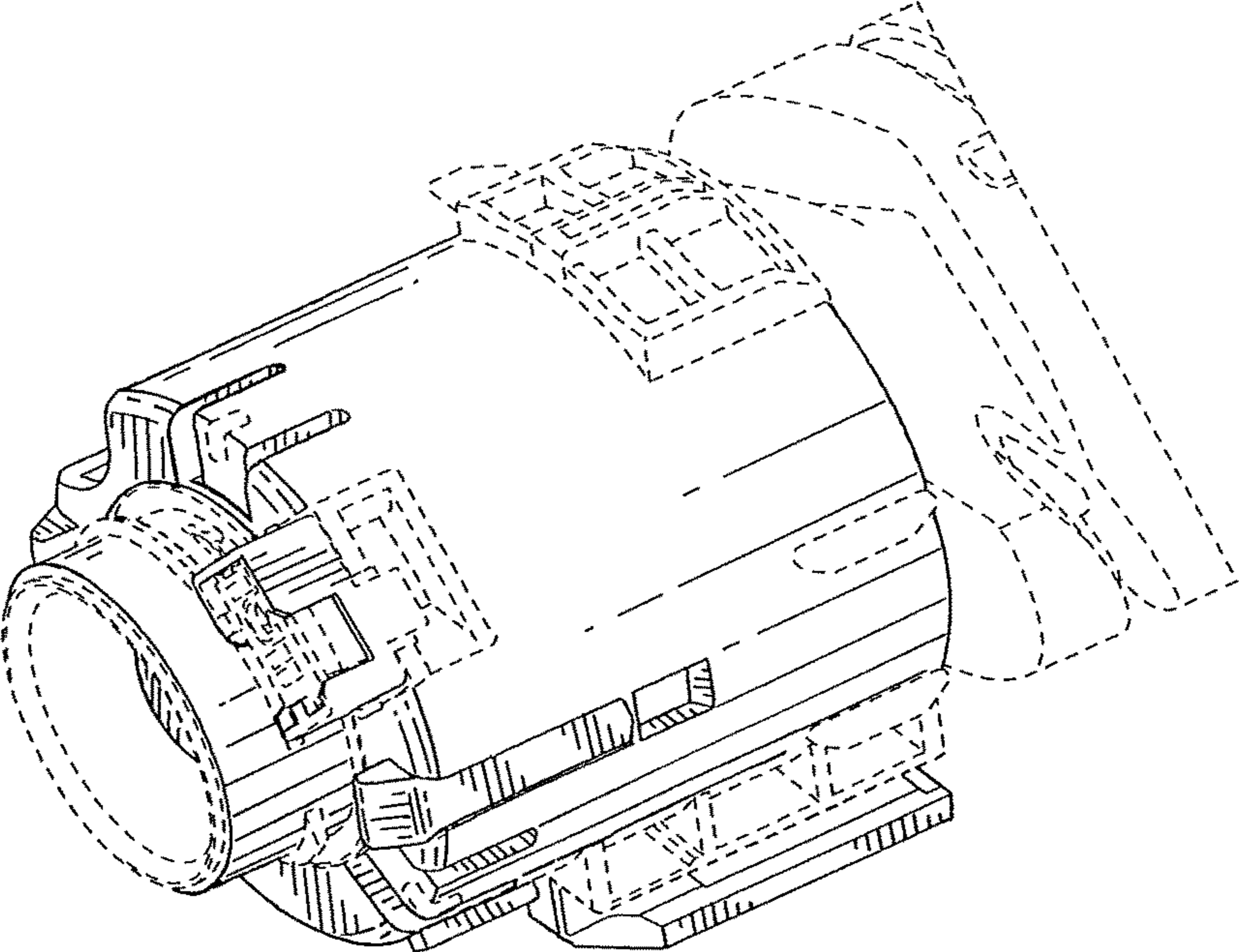
**FIG. 15**



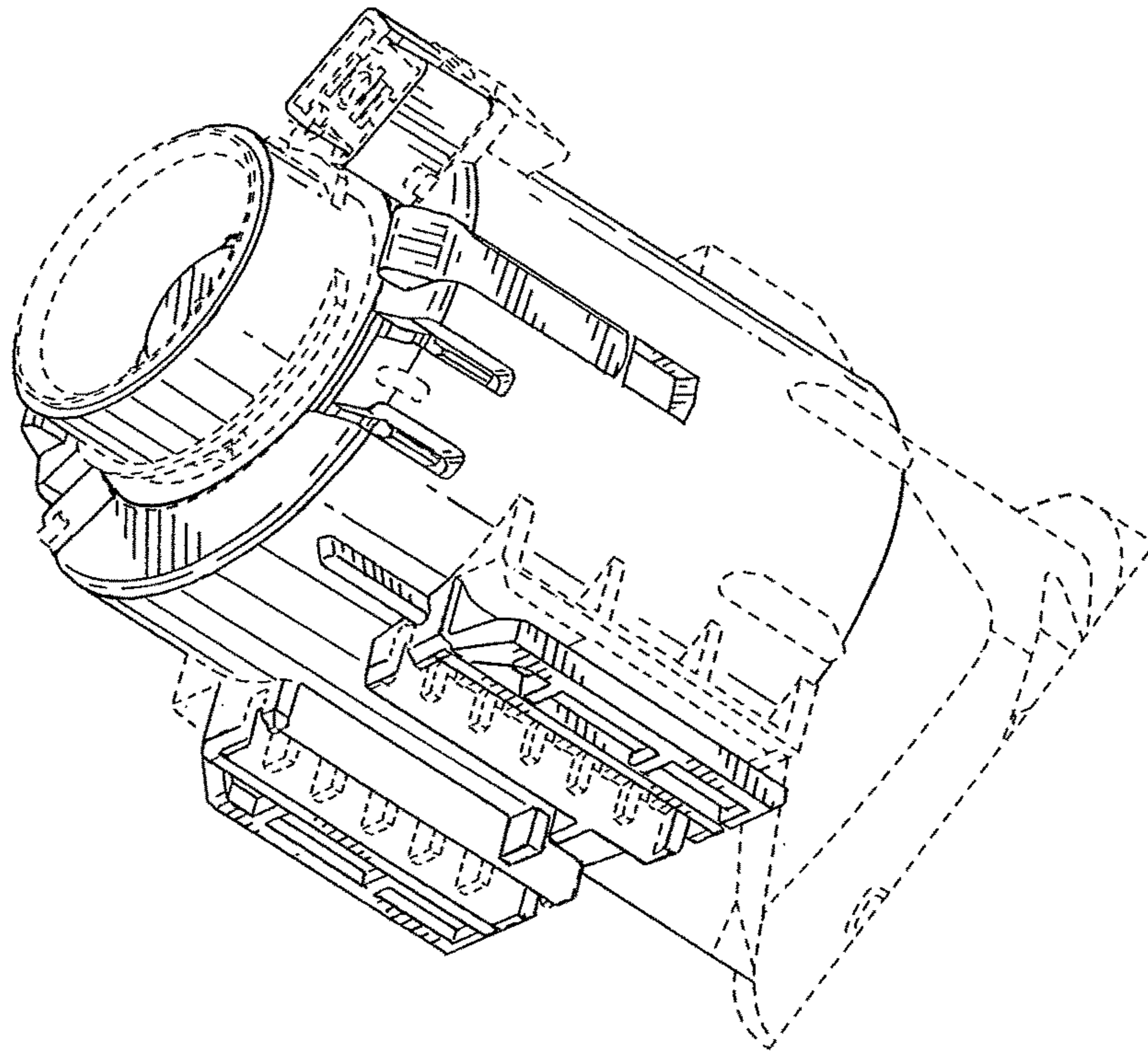
**FIG. 16**



**FIG. 17**



**FIG. 18**



**FIG. 19**

