



US00D879192S

(12) **United States Design Patent**
Uesugi et al.

(10) **Patent No.:** **US D879,192 S**
(45) **Date of Patent:** **** Mar. 24, 2020**

(54) **ELECTRONIC KEYBOARD INSTRUMENT**

(71) Applicant: **Roland Corporation**, Shizuoka (JP)

(72) Inventors: **Tetsuya Uesugi**, Shizuoka (JP);
Shinichi Matsumoto, Shizuoka (JP)

(73) Assignee: **Roland Corporation**, Shizuoka (JP)

(**) Term: **15 Years**

(21) Appl. No.: **29/661,562**

(22) Filed: **Aug. 29, 2018**

(51) **LOC (12) Cl.** **17-01**

(52) **U.S. Cl.**
USPC **D17/1**

(58) **Field of Classification Search**
USPC D17/1, 2, 7-9; D21/405
CPC ... G10C 1/00; G10C 1/02; G10C 1/04; G10C
3/00; G10C 3/12
See application file for complete search history.

(56) **References Cited**

U.S. PATENT DOCUMENTS

D307,287 S	*	4/1990	Koide	D17/1
D431,588 S	*	10/2000	Ohno	D17/1
D555,189 S	*	11/2007	Saito	D17/7
D668,287 S	*	10/2012	Kitazawa	D17/1
D669,116 S	*	10/2012	Fukuoka	D17/9
D673,207 S	*	12/2012	Miura	D17/7

* cited by examiner

Primary Examiner — R. Johnson

(74) *Attorney, Agent, or Firm* — JCIPRNET

(57) **CLAIM**

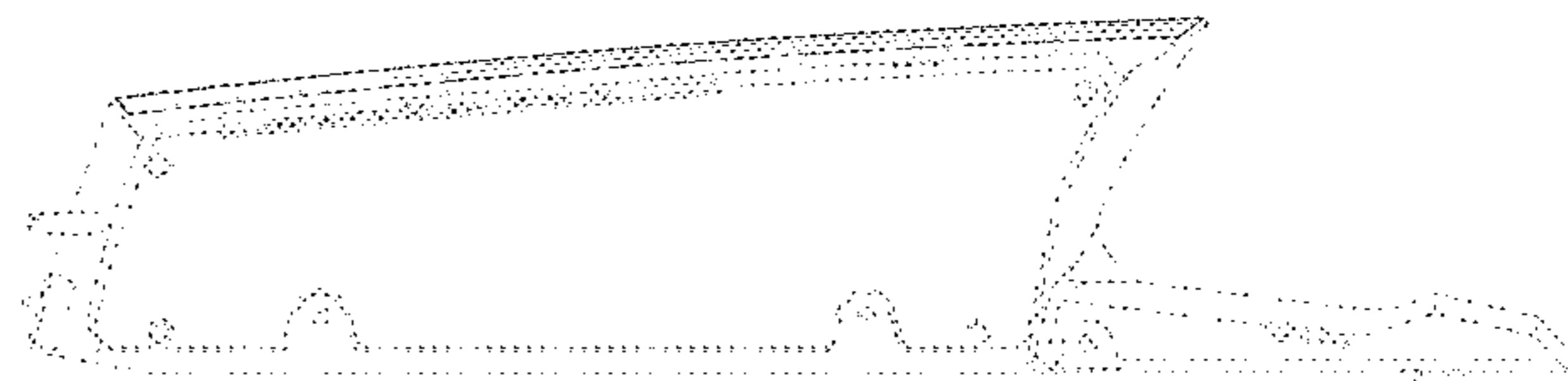
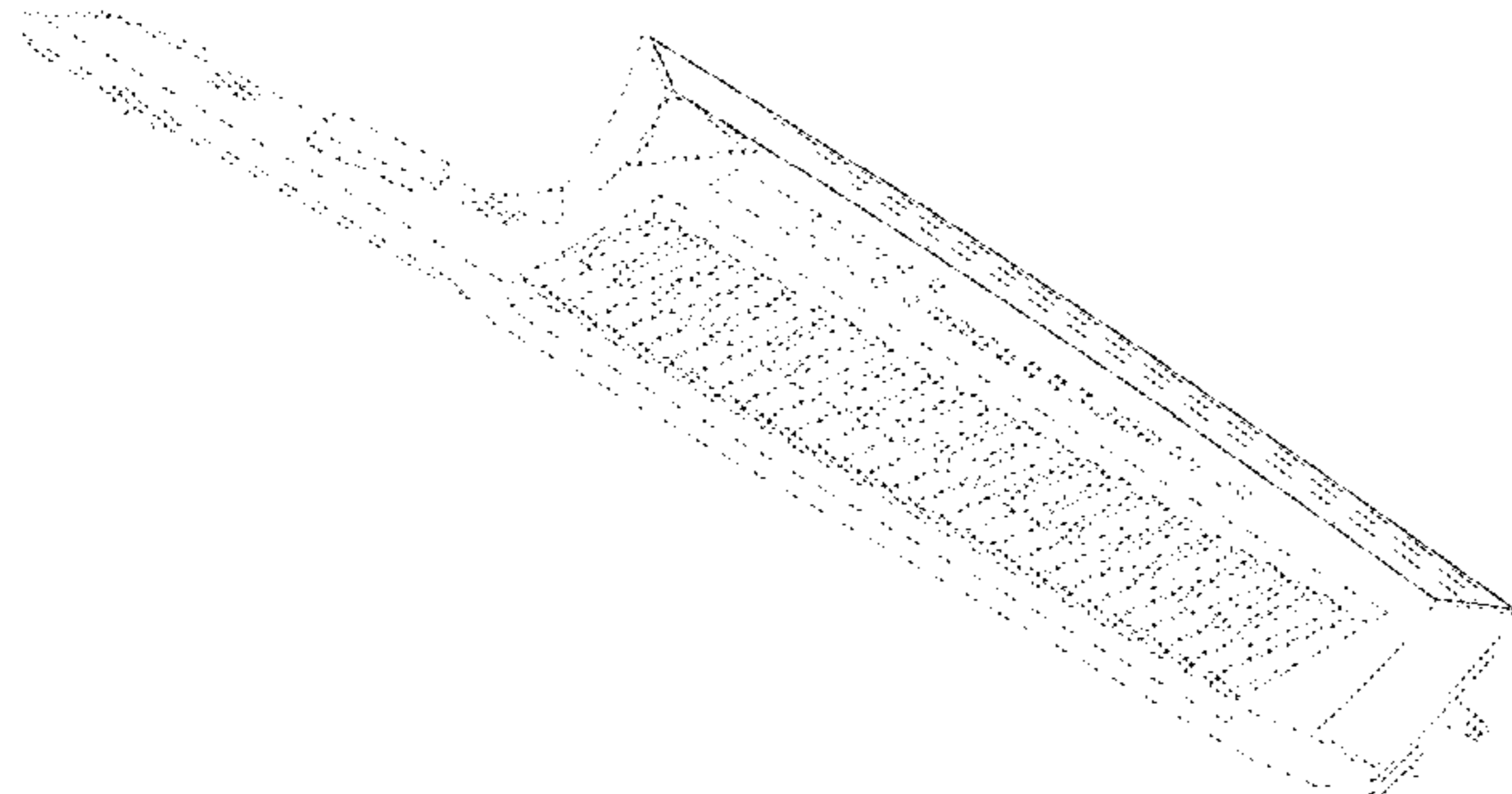
The ornamental design for an electronic keyboard instrument, as shown and described.

DESCRIPTION

FIG. 1 is a perspective view of an electronic keyboard instrument showing our new design; FIG. 2 is a front view thereof; FIG. 3 is a rear view thereof; FIG. 4 is a left side view thereof; FIG. 5 is a right side view thereof; FIG. 6 is a top view thereof; FIG. 7 is a bottom view thereof; and, FIG. 8 is an enlarged view of an indicated portion of FIG. 5.

The dot-dashed broken line showing in the views represent boundaries of the claim and form no part of the claimed design. The two dots-dashed broken lines showing in the views represent the boundary of the enlarged portion and form no part of the claimed design. The evenly segmented dashed broken lines showing in the views are for the purpose of illustrating unclaimed subject matter only and form no part of the claimed design.

1 Claim, 6 Drawing Sheets



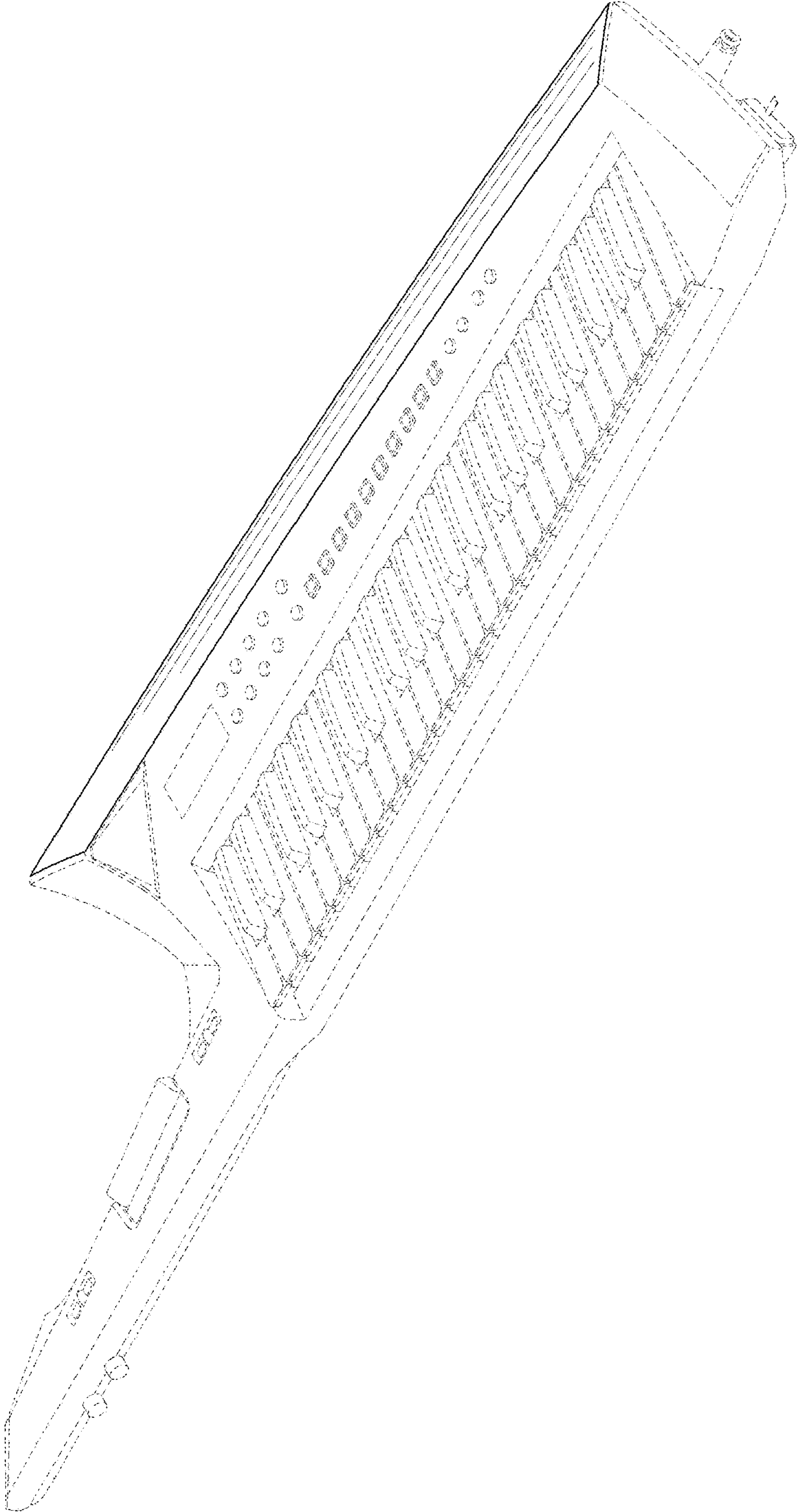


FIG. 1

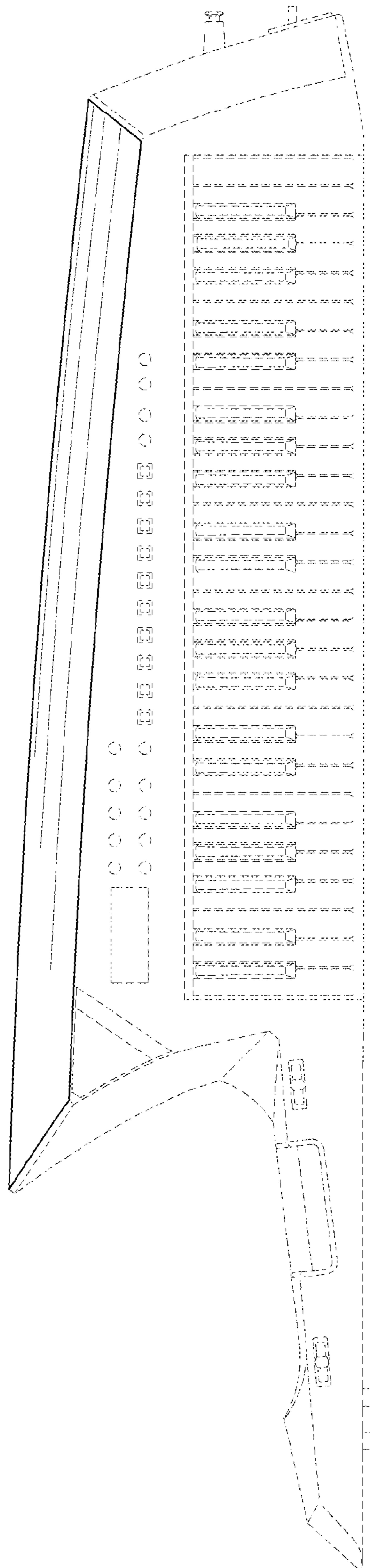


FIG. 2

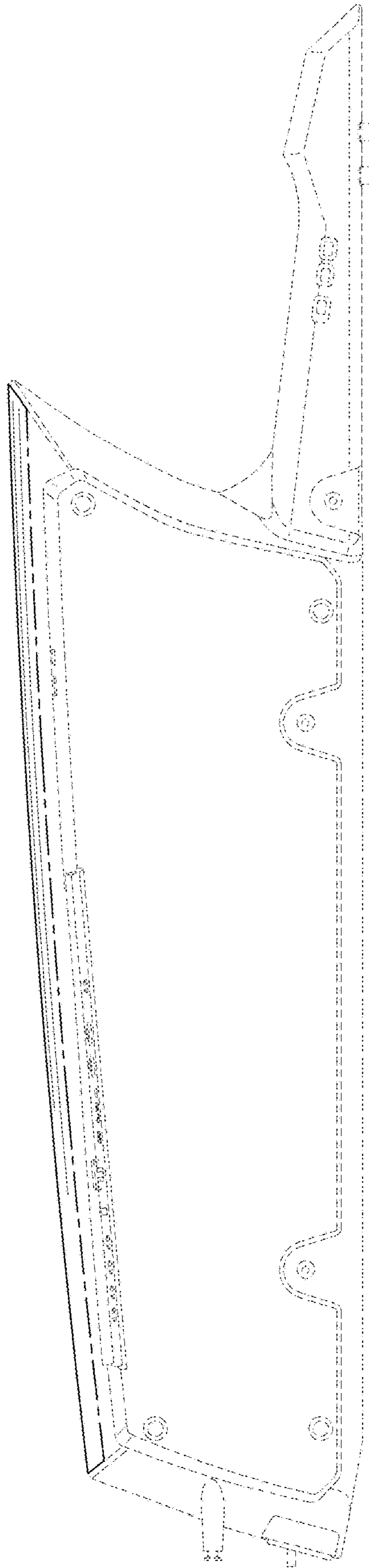


FIG. 3

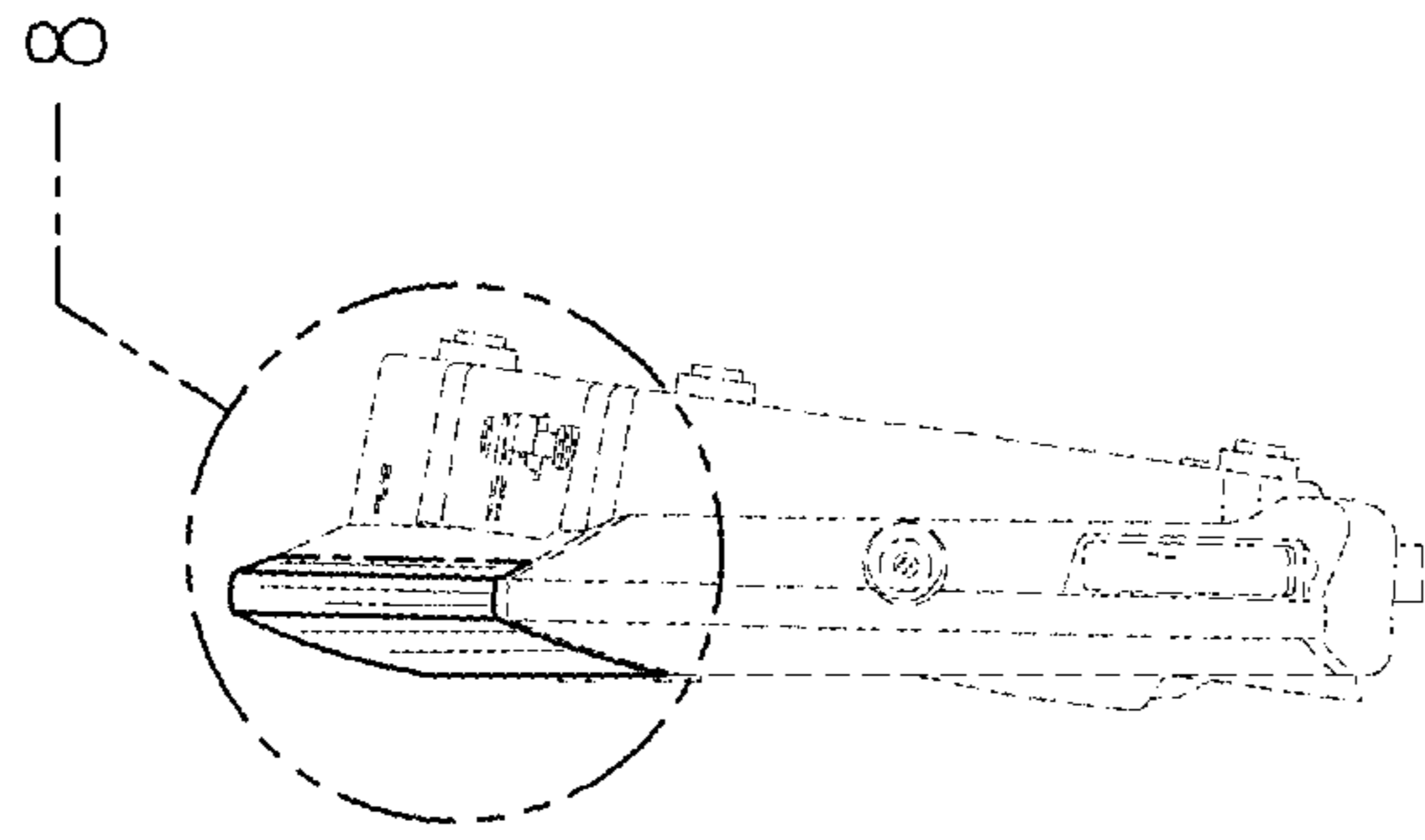


FIG. 5

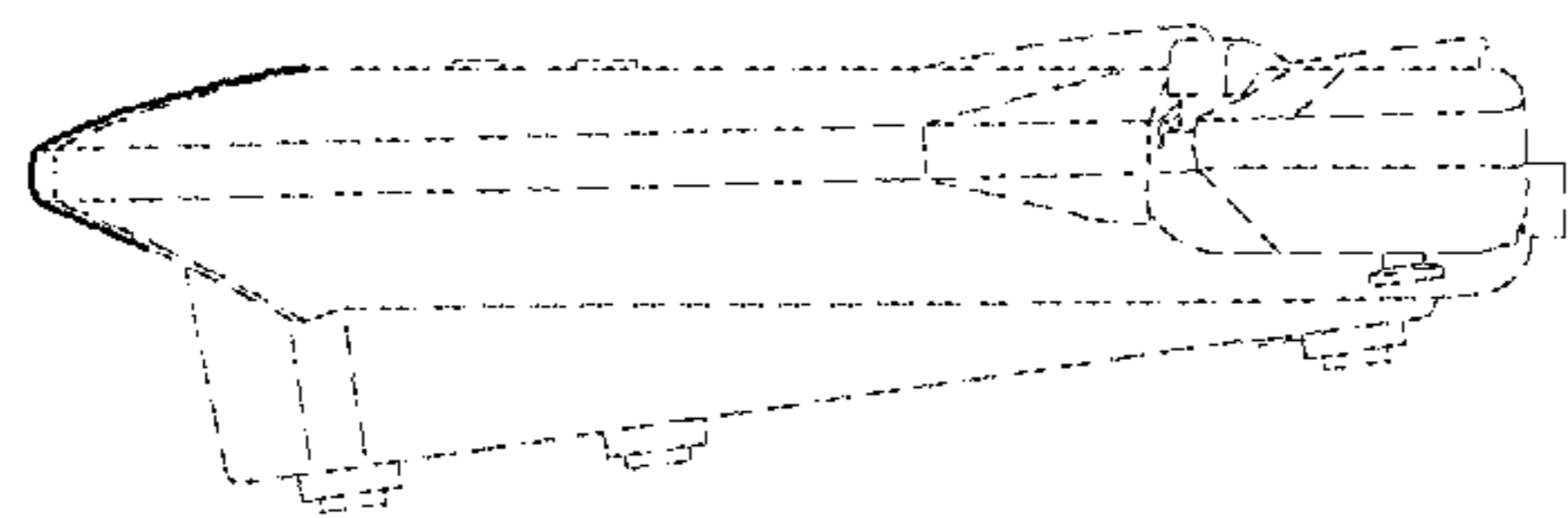


FIG. 4

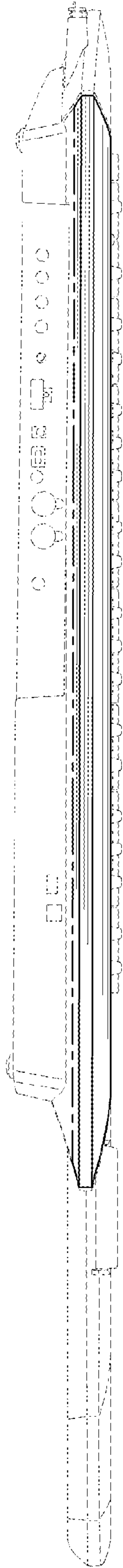


FIG. 6

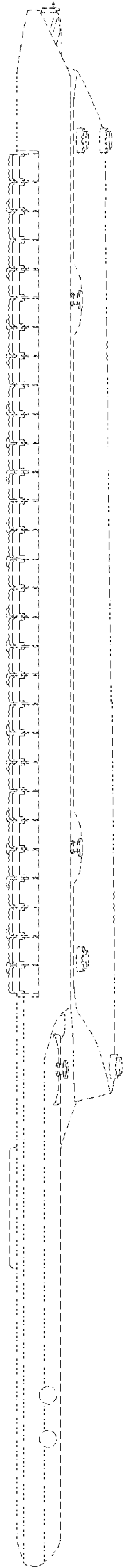


FIG. 7

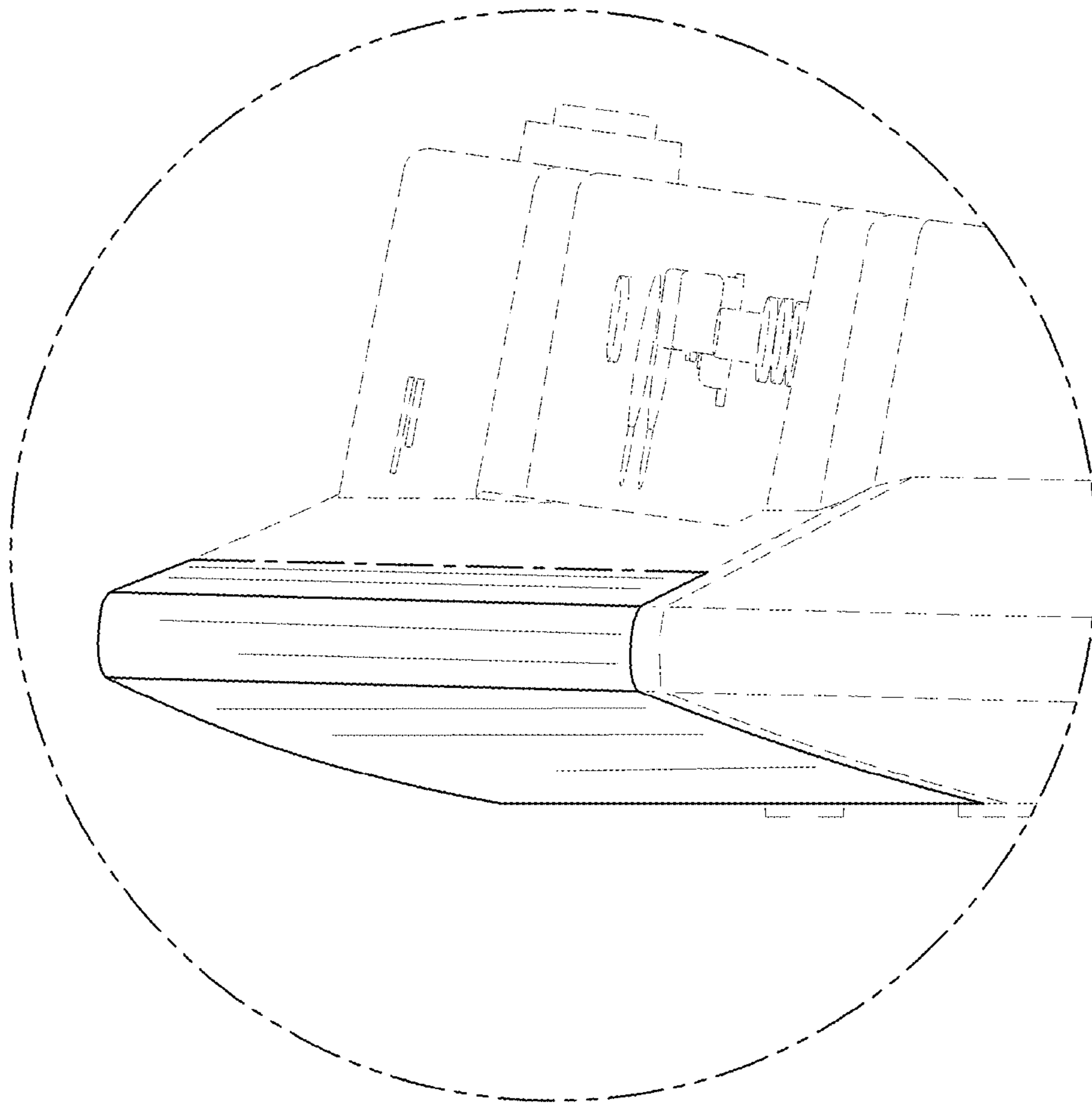


FIG. 8