



US00D879191S

(12) **United States Design Patent**  
**Thixton**

(10) **Patent No.:** **US D879,191 S**  
(45) **Date of Patent:** **\*\* Mar. 24, 2020**

(54) **EYEGLASSES**

(71) Applicant: **Oakley, Inc.**, Foothill Ranch, CA (US)

(72) Inventor: **Lek Haagen Thixton**, Eastsound, WA (US)

(73) Assignee: **Oakley, Inc.**, Foothill Ranch, CA (US)

(\*\*) Term: **15 Years**

(21) Appl. No.: **29/664,417**

(22) Filed: **Sep. 25, 2018**

(51) **LOC (12) Cl.** ..... **16-06**

(52) **U.S. Cl.**  
USPC ..... **D16/335**

(58) **Field of Classification Search**  
USPC ..... D16/101, 300-342, 900; D29/109-110;  
D21/483, 659-661; D14/372; 351/41,  
351/44, 45-48, 51-52, 62, 158, 92,  
351/103-123, 140-153, 63, 59; 2/13, 15,  
2/426-432, 447-449, 441, 434-437  
CPC ..... G02C 2200/08; G02C 1/06; G02C 5/14;  
G02C 11/02; G02C 11/04; G02C 5/16;  
G02C 2200/22; G02C 5/146; G02C  
5/2254; G02C 5/008; G01C 5/16; A61M  
2021/0044; A63B 33/002

See application file for complete search history.

(56) **References Cited**

**U.S. PATENT DOCUMENTS**

D344,965 S *	3/1994	Kahaney	.....	D16/335
D349,508 S *	8/1994	Conway	.....	D16/335
D354,972 S *	1/1995	Hirschman	.....	D16/314
D355,429 S *	2/1995	Hirschman	.....	D16/335
D355,922 S *	2/1995	Hirschman	.....	D16/335
D358,600 S *	5/1995	Jannard	.....	D16/335
D474,222 S *	5/2003	Chen	.....	D16/315
D475,392 S *	6/2003	Lee	.....	D16/315
D475,731 S *	6/2003	Lee	.....	D16/314
D475,733 S *	6/2003	Lee	.....	D16/335

D502,494 S *	3/2005	Yang	.....	D16/315
D502,725 S *	3/2005	Yang	.....	D16/314
D508,069 S *	8/2005	Fuchs	.....	D16/309
D527,758 S *	9/2006	Fuchs	.....	D16/314
D535,320 S *	1/2007	Sheldon	.....	D16/326
D536,022 S *	1/2007	Fuchs	.....	D16/314
D540,368 S *	4/2007	Yang	.....	D16/315
D541,329 S *	4/2007	Sheldon	.....	D16/314
D543,572 S *	5/2007	Yee et al.	.....	
D544,016 S *	6/2007	Fuchs	.....	D16/314
D549,763 S *	8/2007	Daems	.....	D16/321
D549,764 S *	8/2007	Teng	.....	D16/326

(Continued)

**OTHER PUBLICATIONS**

Oakley Mercenary, reviewed 2019, [online], [site visited Dec. 30, 2019]. Available from Internet, URL: <https://www.oakley.com/en-us/product/W0009424?variant=888392409058#pdpBazaarVoice> (Year: 2019).\*

*Primary Examiner* — Michelle E. Wilson

*Assistant Examiner* — Sanjeev Paul

(74) *Attorney, Agent, or Firm* — Sterne, Kessler, Goldstein & Fox P.L.L.C.

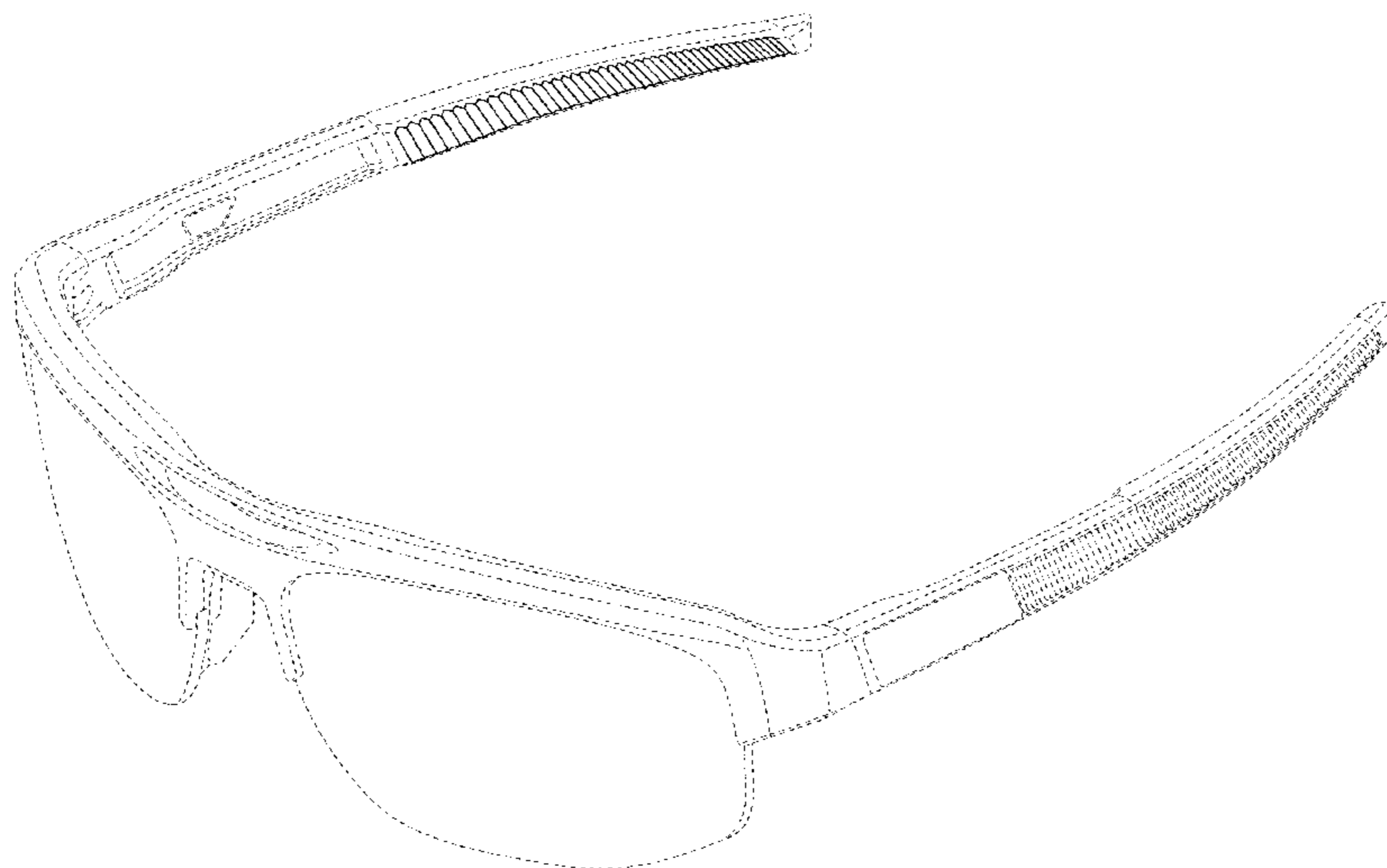
(57) **CLAIM**

The ornamental design for eyeglasses, as shown and described.

**DESCRIPTION**

FIG. 1 is a top front perspective view of eyeglasses showing the claimed design;  
FIG. 2 is a front view thereof;  
FIG. 3 is a rear view thereof;  
FIG. 4 is a right side view thereof, the left side view being a mirror image thereof;  
FIG. 5 is a top view thereof; and,  
FIG. 6 is a bottom view thereof.  
The dashed broken lines in the figures show portions of the eyeglasses that form no part of the claimed design.

**1 Claim, 5 Drawing Sheets**



(56)

References Cited

U.S. PATENT DOCUMENTS

D551,281 S *	9/2007	Lee	.....	D16/314	D682,345 S *	5/2013	Fuchs	.....	D16/326
D552,663 S *	10/2007	Cheng	.....	D16/315	D685,409 S *	7/2013	Sheldon	.....	D16/315
D555,704 S *	11/2007	Kuo	.....	D16/315	D695,336 S *	12/2013	Wang Lee	.....	D16/335
D556,240 S *	11/2007	Fuchs	.....	D16/314	D714,858 S *	10/2014	Thixton	.....	D16/326
D556,816 S *	12/2007	Fuchs	.....	D16/326	D730,434 S *	5/2015	Chen	.....	D16/335
D557,322 S *	12/2007	Yang	.....	D16/315	D747,402 S	1/2016	Shin		
D557,323 S *	12/2007	Yang	.....	D16/315	D748,188 S	1/2016	Shin		
D559,887 S *	1/2008	Wu	.....	D16/315	D752,678 S	3/2016	Thixton		
D559,888 S *	1/2008	Yang	.....	D16/315	D757,156 S *	5/2016	Wu	.....	D16/315
D560,248 S *	1/2008	Fuchs	.....	D16/314	D771,737 S *	11/2016	Yang	.....	D16/315
D581,446 S	11/2008	Yee			D777,827 S *	1/2017	Chen	.....	D16/314
D590,432 S	4/2009	Yee			D783,703 S *	4/2017	Sheldon	.....	D16/315
D595,757 S *	7/2009	Yang	.....	D16/314	D797,183 S *	9/2017	Flake	.....	D16/330
D603,443 S *	11/2009	Li	.....	D16/314	D809,056 S *	1/2018	Flake	.....	D16/330
D606,576 S *	12/2009	Chou	.....	D16/314	D815,185 S *	4/2018	Owens	.....	D16/315
D609,736 S *	2/2010	Wang	.....	D16/315	D818,522 S	5/2018	Garfias		
D617,366 S *	6/2010	Fulton	.....	D16/309	D819,725 S *	6/2018	Stables	.....	D16/326
D619,160 S *	7/2010	Sheldon	.....	D16/309	D829,271 S	9/2018	Thixton		
D622,755 S	8/2010	Yee			D837,871 S *	1/2019	Canales	.....	D16/314
D637,643 S *	5/2011	Lebel	.....	D16/314	D849,823 S *	5/2019	Canales	.....	D16/313
D641,391 S *	7/2011	Sheldon	.....	D16/321	D849,825 S *	5/2019	Canales	.....	D16/314
D653,699 S	2/2012	Shin			D851,165 S *	6/2019	Sanchez	.....	D16/326
D679,313 S *	4/2013	Bachelder	.....	D16/315	D851,166 S *	6/2019	Sanchez	.....	D16/326
					10,394,049 B2 *	8/2019	Canales	.....	G02C 5/126
					D865,854 S *	11/2019	Sheldon	.....	D16/314
					D870,802 S *	12/2019	Canales	.....	D16/315

\* cited by examiner

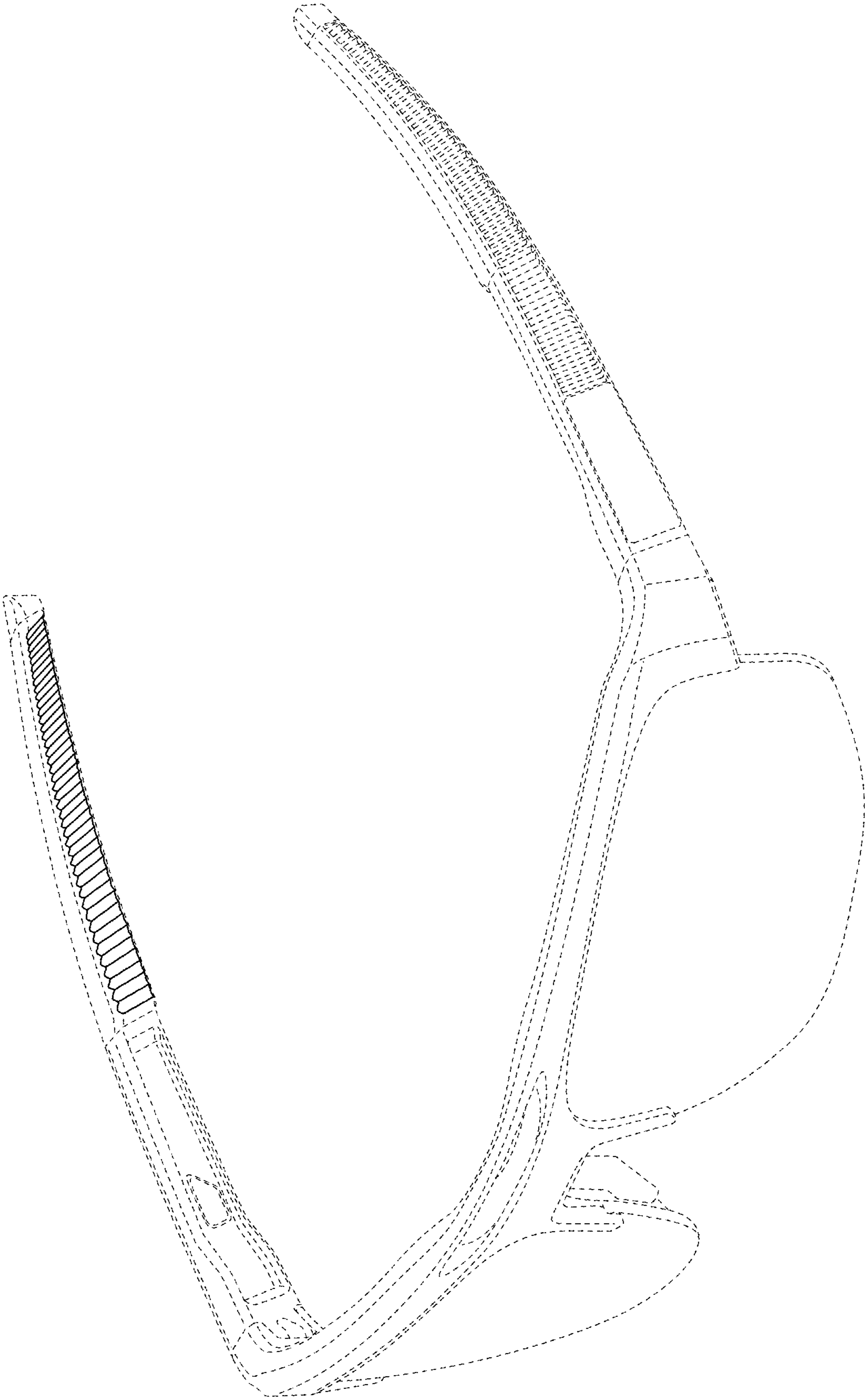


FIG. 1

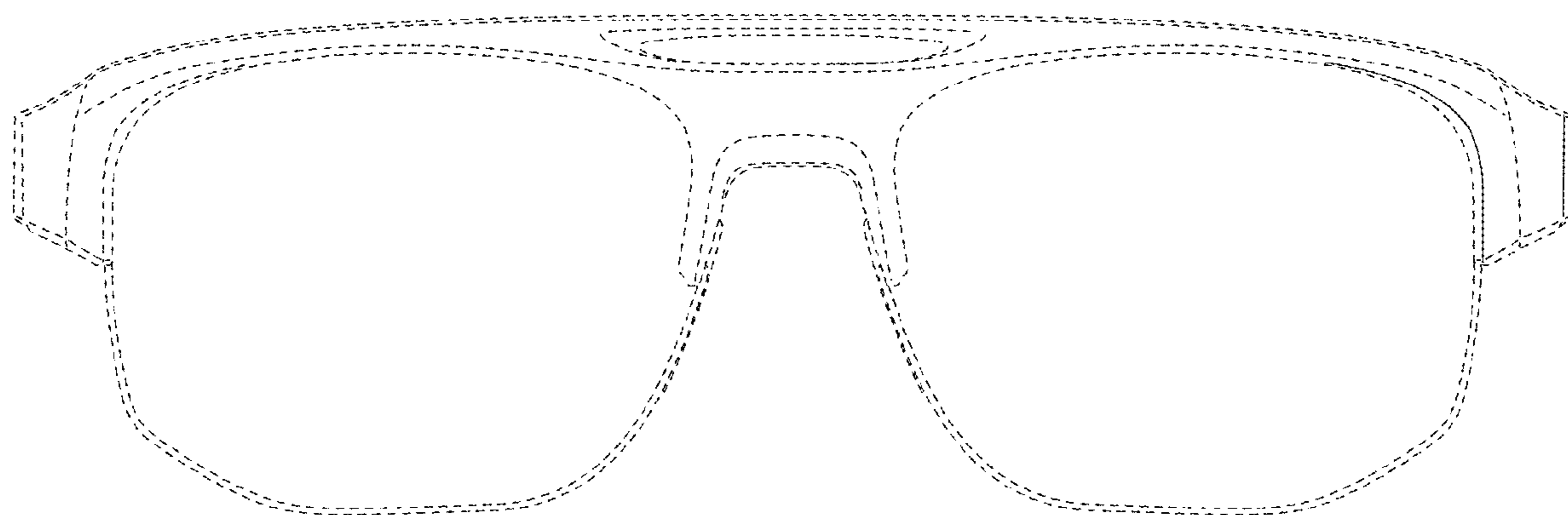


FIG. 2

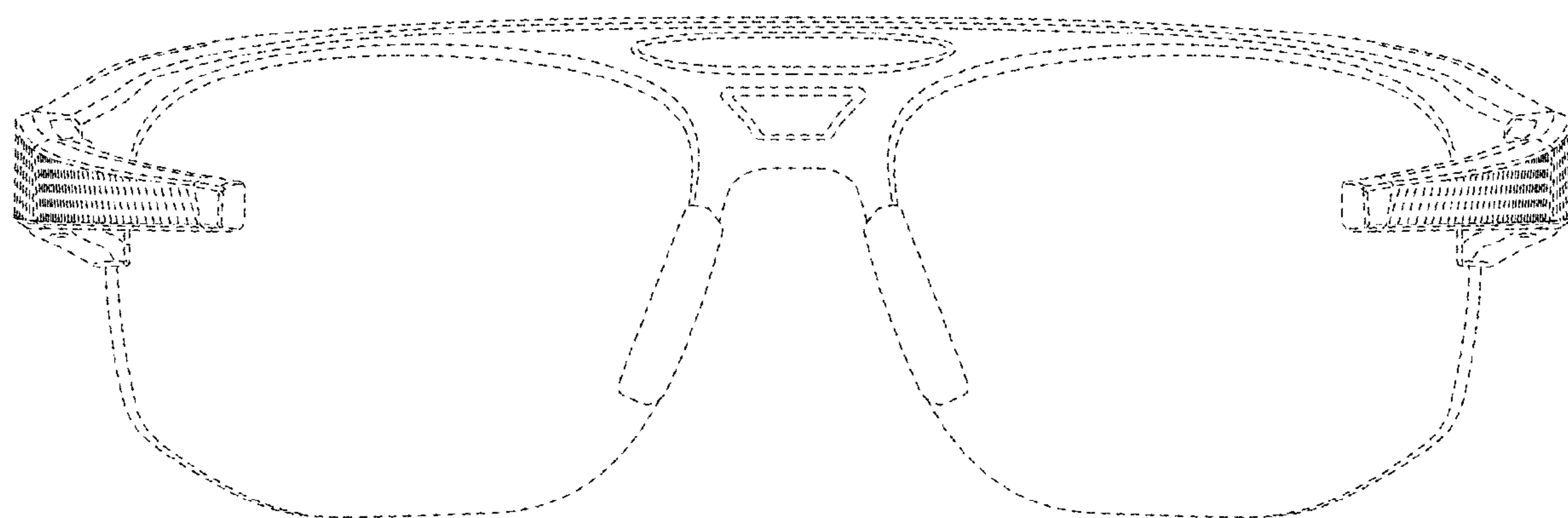


FIG. 3



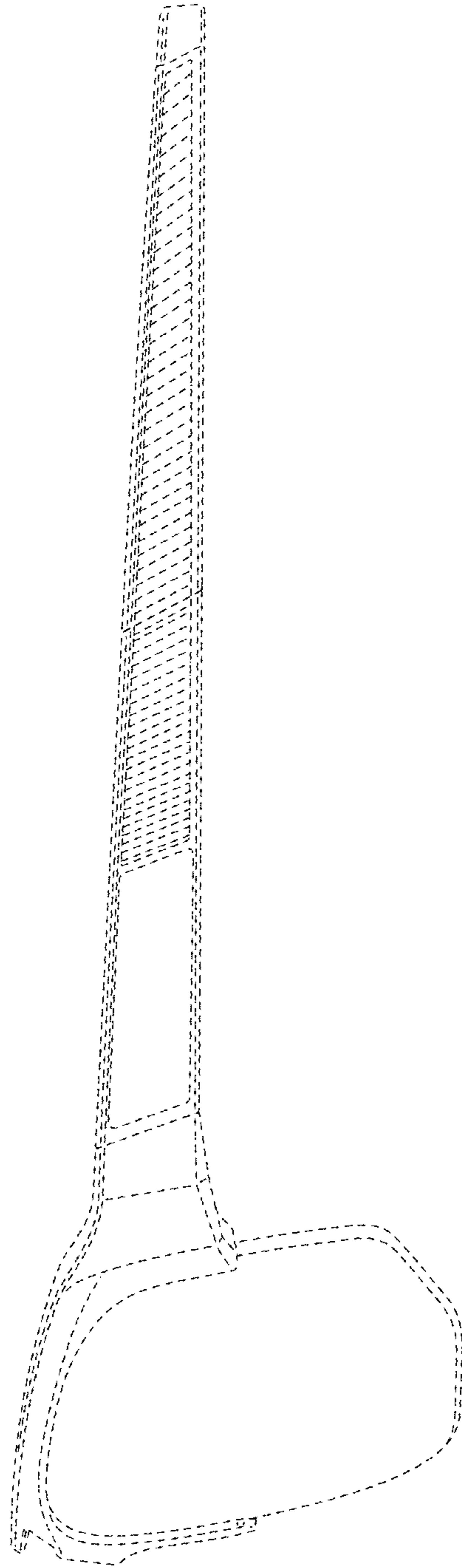


FIG. 4

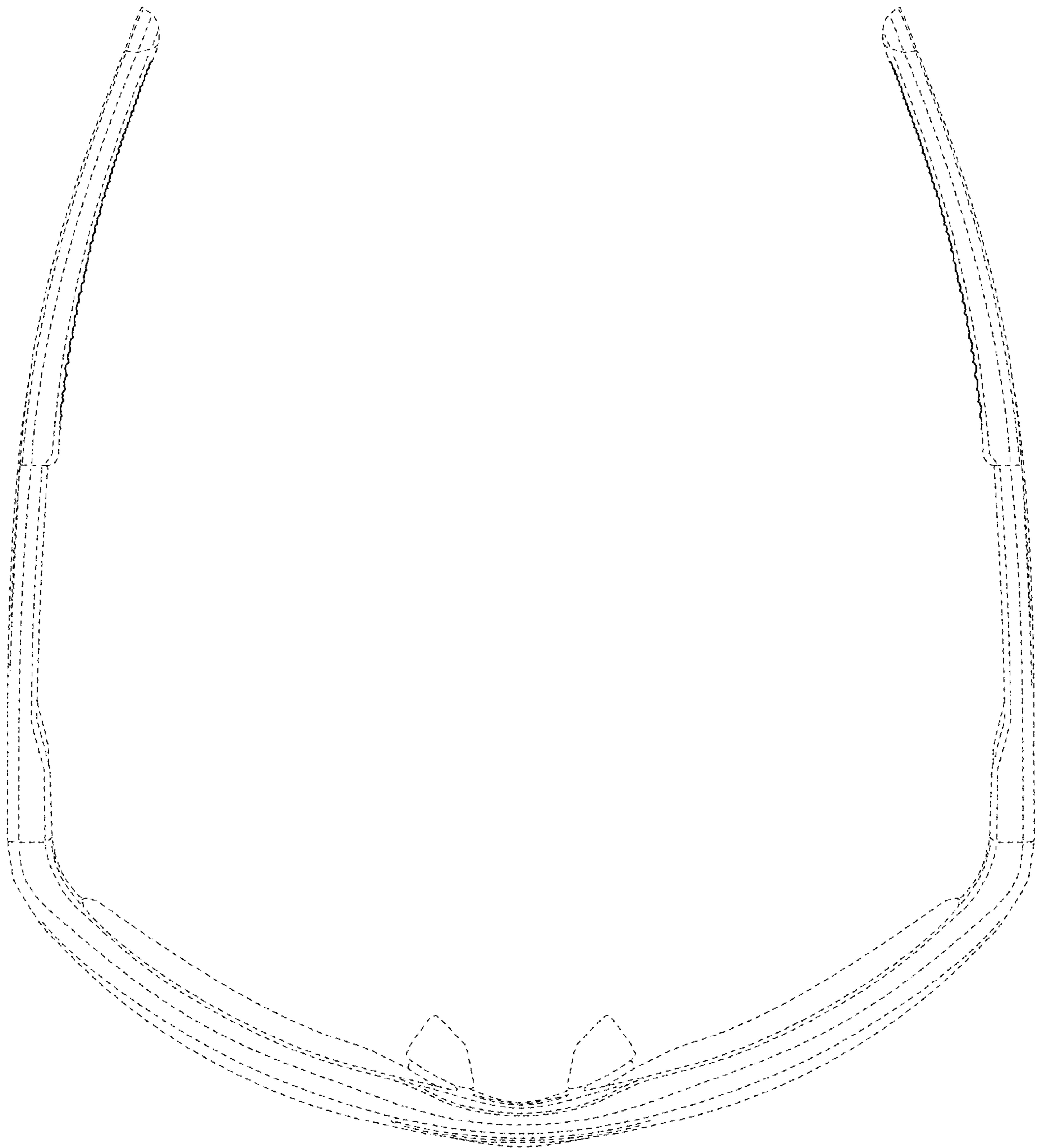


FIG. 5

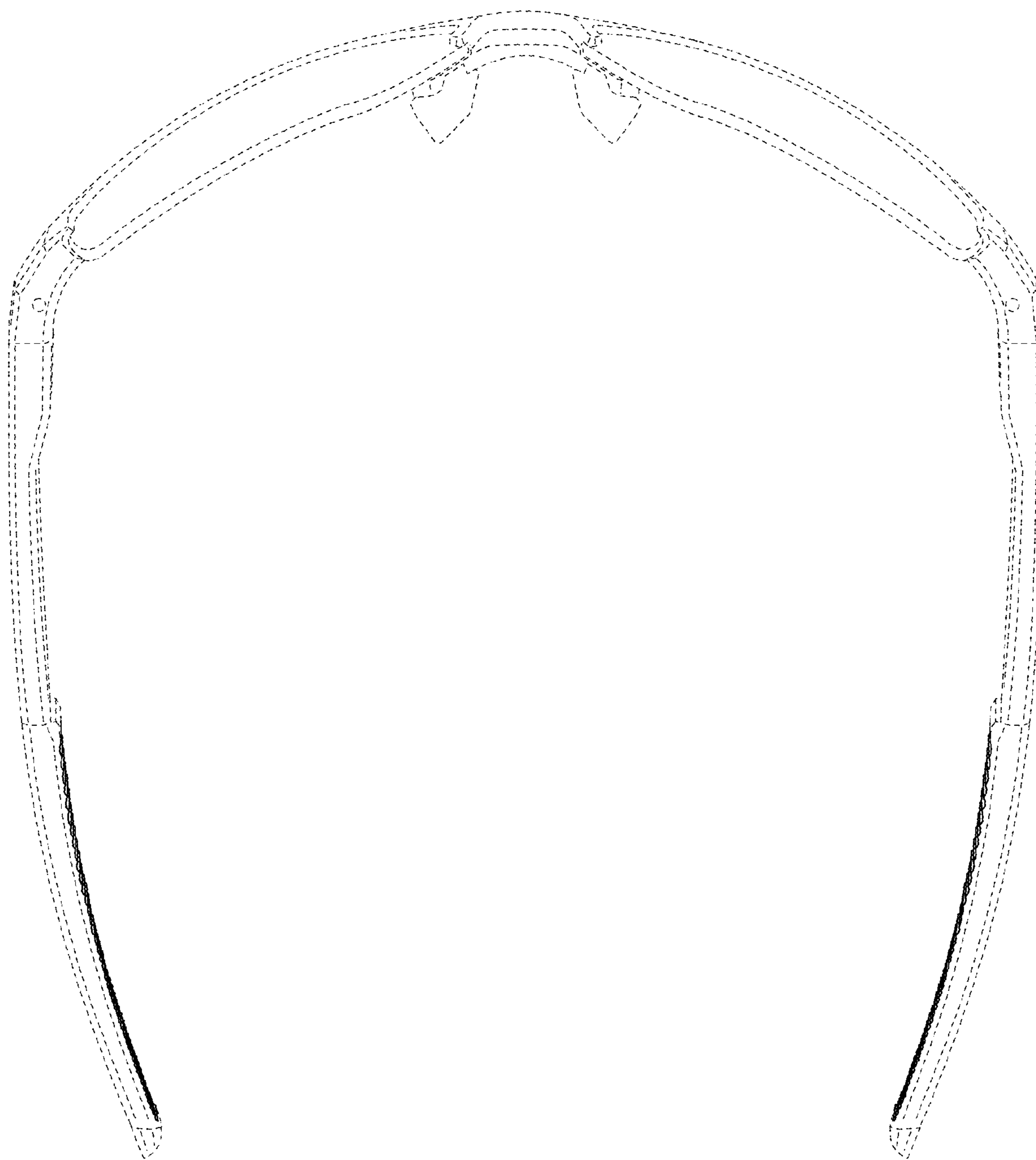


FIG. 6