

US00D879188S

(12) **United States Design Patent**  
**Thixton**

(10) **Patent No.:** **US D879,188 S**

(45) **Date of Patent:** **\*\* Mar. 24, 2020**

(54) **EYEGLASSES**

(71) Applicant: **Oakley, Inc.**, Foothill Ranch, CA (US)

(72) Inventor: **Lek Haagen Thixton**, Eastsound, WA (US)

(73) Assignee: **Oakley, Inc.**, Foothill Ranch, CA (US)

(\*\*) Term: **15 Years**

(21) Appl. No.: **29/664,412**

(22) Filed: **Sep. 25, 2018**

(51) **LOC (12) Cl.** ..... **16-06**

(52) **U.S. Cl.**  
USPC ..... **D16/300**

(58) **Field of Classification Search**  
USPC ..... D16/101, 300-342, 900; D29/109-110;  
D21/483, 659-661; D14/372; 351/41,  
351/44, 45-48, 51-52, 62, 158, 92,  
351/103-123, 140-153, 63, 59; 2/13, 15,  
2/426-432, 447-449, 441, 434-437  
CPC ..... G02C 2200/08; G02C 1/06; G02C 5/14;  
G02C 11/02; G02C 11/04; G02C 5/16;  
G02C 2200/22; G02C 5/146; G02C  
5/2254; G02C 5/008; G01C 5/16; A61M  
2021/0044; A63B 33/002

See application file for complete search history.

(56) **References Cited**

**U.S. PATENT DOCUMENTS**

- 5,377,037 A \* 12/1994 Branz ..... G02C 7/101  
351/45
- D397,354 S \* 8/1998 Kuo ..... D16/314
- D398,021 S \* 9/1998 Bolle ..... D16/315
- D502,494 S \* 3/2005 Yang ..... D16/315
- D523,461 S \* 6/2006 Jannard ..... D16/309
- D529,066 S \* 9/2006 Matera ..... D16/315
- D534,569 S \* 1/2007 Teng ..... D16/315
- D539,829 S \* 4/2007 Chuang ..... D16/315
- D543,572 S \* 5/2007 Yee ..... D16/315

- D550,753 S \* 9/2007 Li ..... D16/315
- D551,281 S \* 9/2007 Lee ..... D16/314
- D552,663 S \* 10/2007 Cheng ..... D16/315
- D555,704 S \* 11/2007 Kuo ..... D16/315
- D556,240 S \* 11/2007 Fuchs ..... D16/314
- D557,322 S \* 12/2007 Yang ..... D16/315
- D557,323 S \* 12/2007 Yang ..... D16/315
- D559,887 S \* 1/2008 Wu ..... D16/315
- D574,410 S \* 8/2008 Chen ..... D16/315
- D581,446 S \* 11/2008 Yee
- D582,960 S \* 12/2008 Fuchs ..... D16/315
- D583,851 S \* 12/2008 Lane ..... D16/315

(Continued)

**OTHER PUBLICATIONS**

Oakley Mercenary, reviewed 2019, [online], [site visited Dec. 30, 2019]. Available from Internet, URL: <https://www.oakley.com/en-us/product/W0009424?variant=888392409058#pdpBazaarVoice> (Year: 2019).\*

*Primary Examiner* — Michelle E. Wilson

*Assistant Examiner* — Sanjeev Paul

(74) *Attorney, Agent, or Firm* — Sterne, Kessler, Goldstein & Fox P.L.L.C.

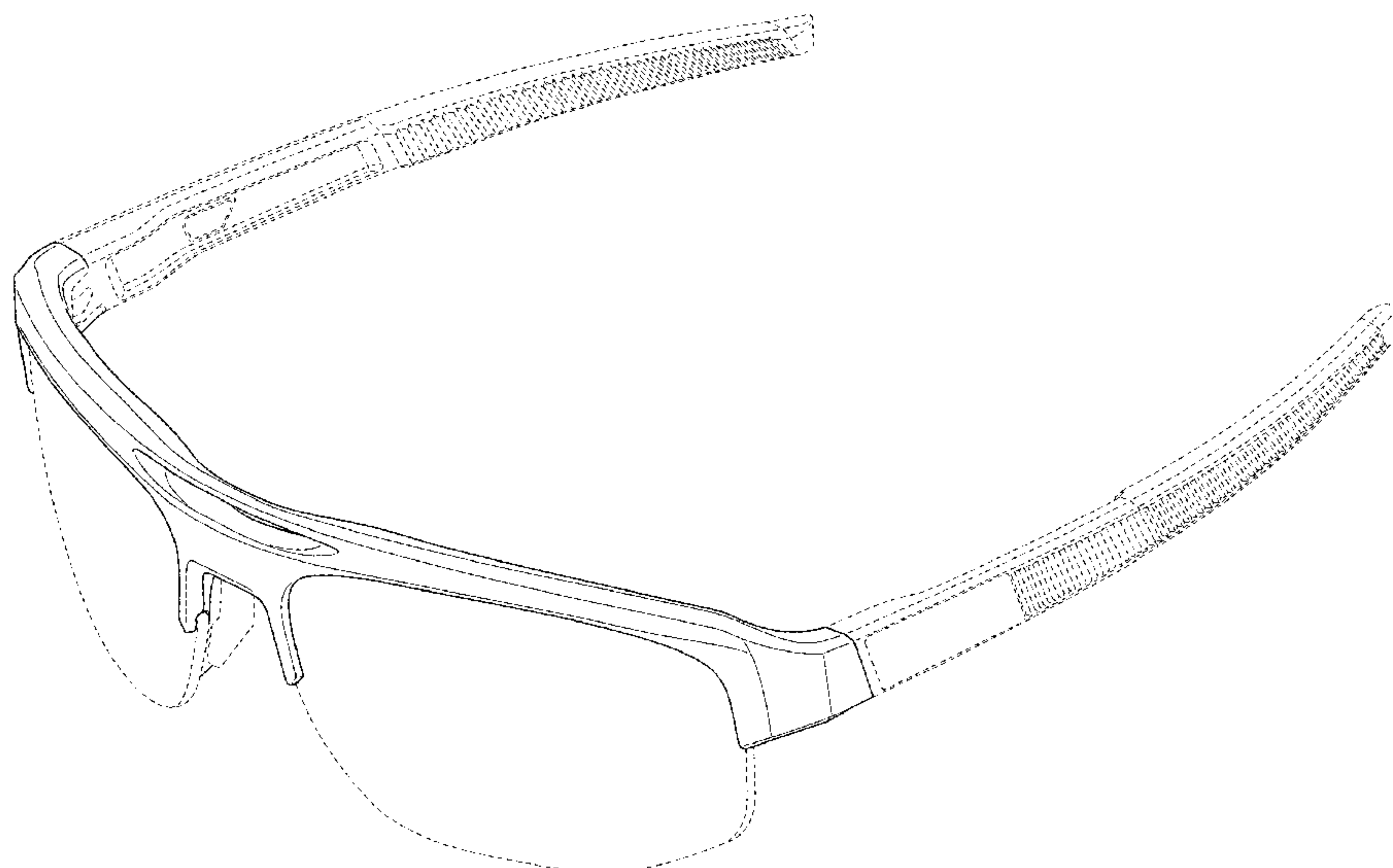
(57) **CLAIM**

The ornamental design for eyeglasses, as shown and described.

**DESCRIPTION**

FIG. 1 is a top front perspective view of eyeglasses showing the claimed design;  
FIG. 2 is a front view thereof;  
FIG. 3 is a rear view thereof;  
FIG. 4 is a right side view thereof, the left side view being a mirror image thereof;  
FIG. 5 is a top view thereof; and,  
FIG. 6 is a bottom view thereof.  
The dashed broken lines in the figures show portions of the eyeglasses that form no part of the claimed design.

**1 Claim, 5 Drawing Sheets**



(56)

## References Cited

## U.S. PATENT DOCUMENTS

D584,330	S	*	1/2009	Chen	.....	D16/315
D590,432	S		4/2009	Yee		
D595,757	S	*	7/2009	Yang	.....	D16/314
D599,836	S	*	9/2009	Rohrbach	.....	D16/315
D601,613	S	*	10/2009	Yee	.....	D16/315
D602,977	S	*	10/2009	Falvo	.....	D16/315
D603,443	S	*	11/2009	Li	.....	D16/314
D606,576	S	*	12/2009	Chou	.....	D16/314
D609,736	S	*	2/2010	Wang	.....	D16/315
D616,013	S	*	5/2010	Reed	.....	D16/315
D619,160	S	*	7/2010	Sheldon	.....	D16/309
D622,755	S		8/2010	Yee		
D647,124	S	*	10/2011	Li	.....	D16/315
D653,699	S		2/2012	Shin		
D681,093	S	*	4/2013	Slosar	.....	D16/315
D681,094	S	*	4/2013	Markovitz	.....	D16/315
D683,785	S	*	6/2013	Chen	.....	D16/315
D704,764	S	*	5/2014	Markovitz	.....	D16/315
D724,648	S	*	3/2015	Yoo	.....	D16/315
D730,431	S	*	5/2015	Yoo	.....	D16/315
D737,880	S	*	9/2015	Markovitz	.....	D16/315
D747,402	S		1/2016	Shin		
D748,188	S		1/2016	Shin		
D752,678	S		3/2016	Thixton		
D757,156	S	*	5/2016	Wu	.....	D16/315
D771,737	S	*	11/2016	Yang	.....	D16/315
D778,340	S	*	2/2017	Garfias	.....	D16/315
D818,522	S		5/2018	Garfias		
D829,271	S		9/2018	Thixton		
D831,734	S	*	10/2018	Thixton	.....	D16/326
D843,436	S	*	3/2019	Shin	.....	D16/300
D852,879	S	*	7/2019	Zhang	.....	D16/315
D857,787	S	*	8/2019	Miera	.....	D16/315
D870,802	S	*	12/2019	Canales	.....	D16/315

\* cited by examiner

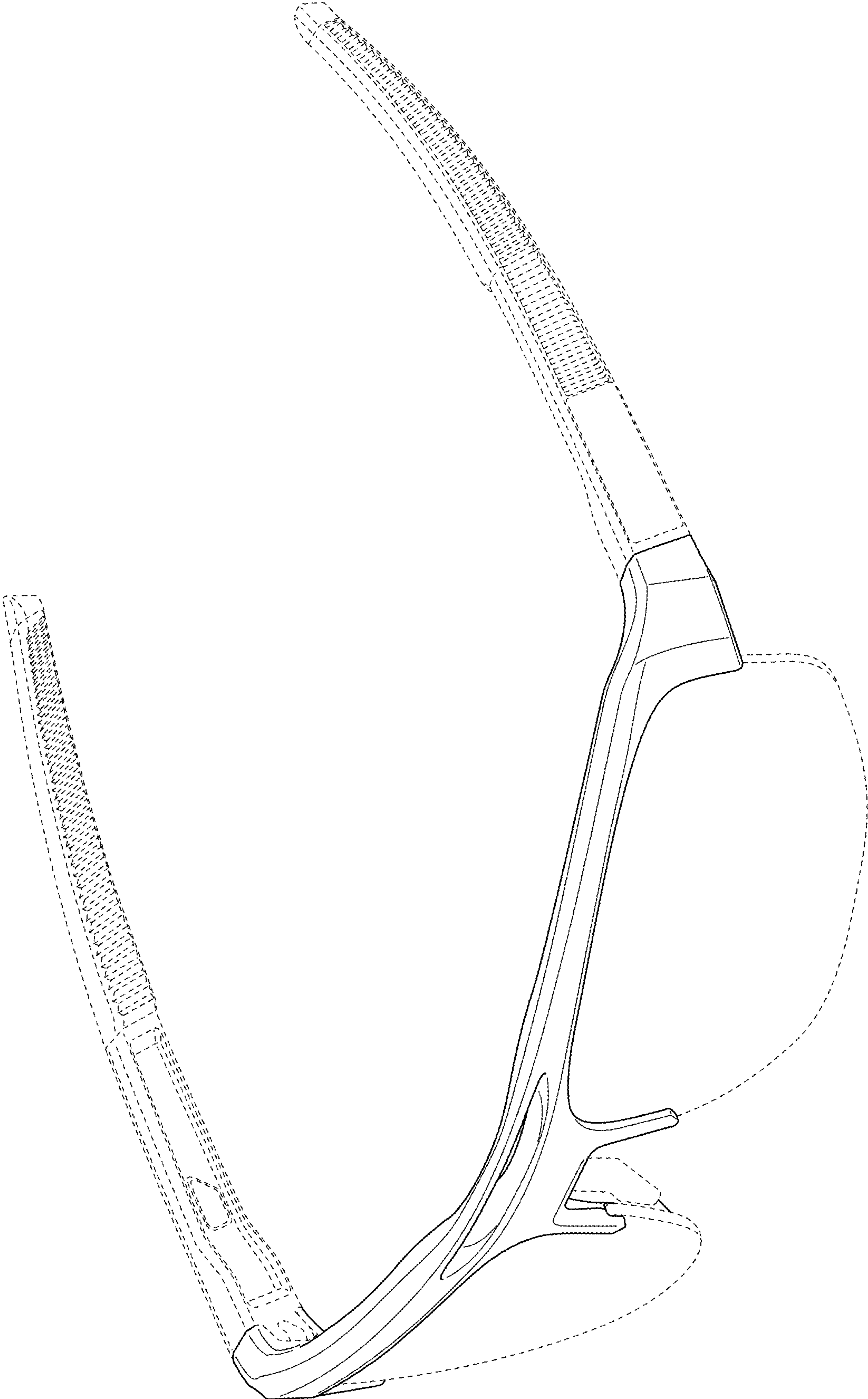


FIG. 1

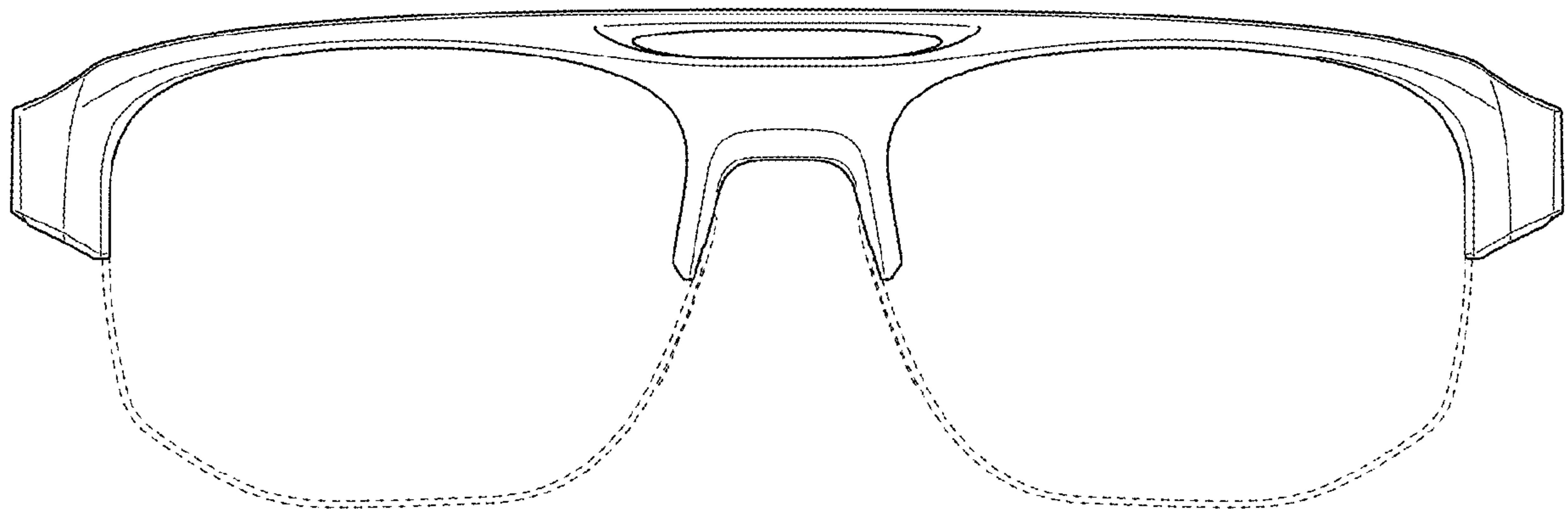


FIG. 2

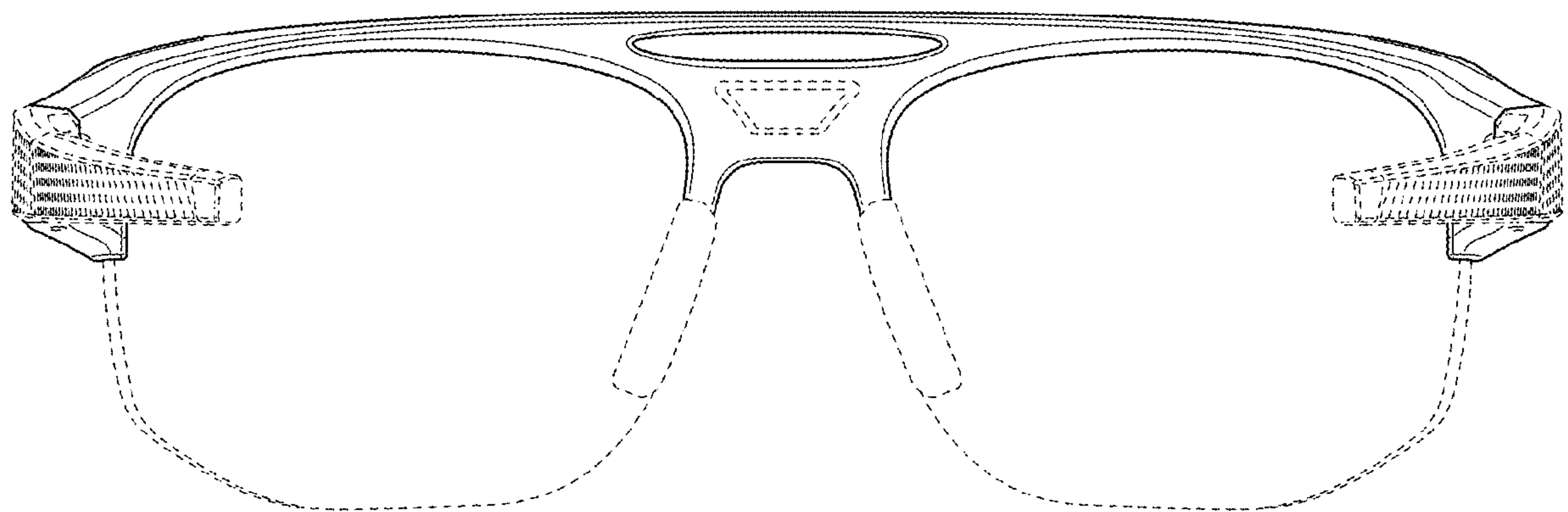


FIG. 3



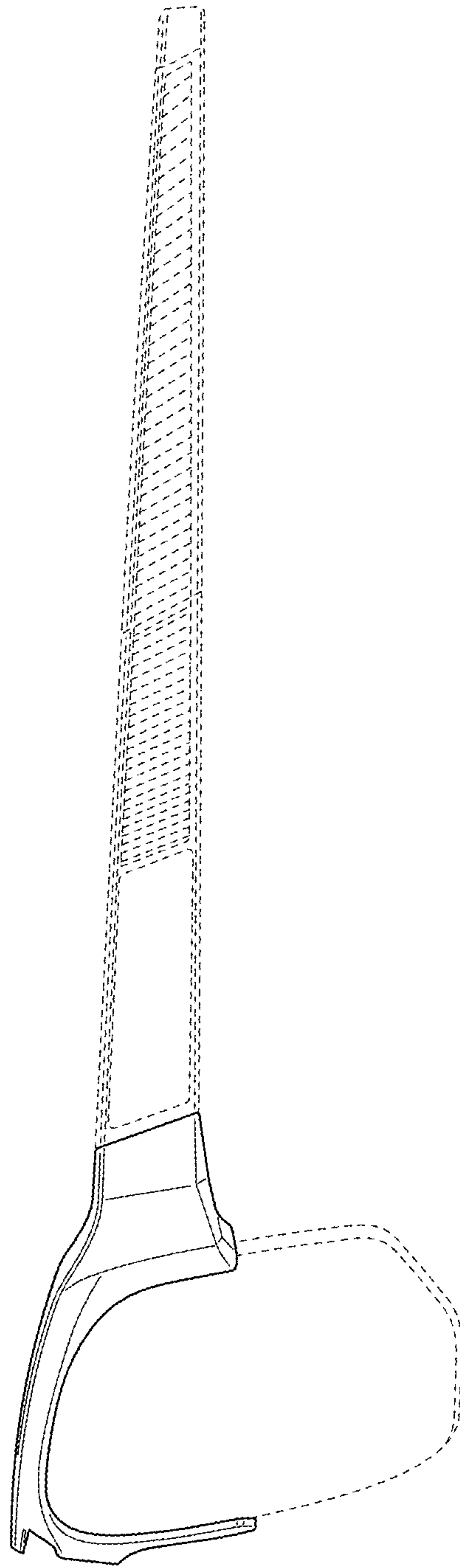


FIG. 4

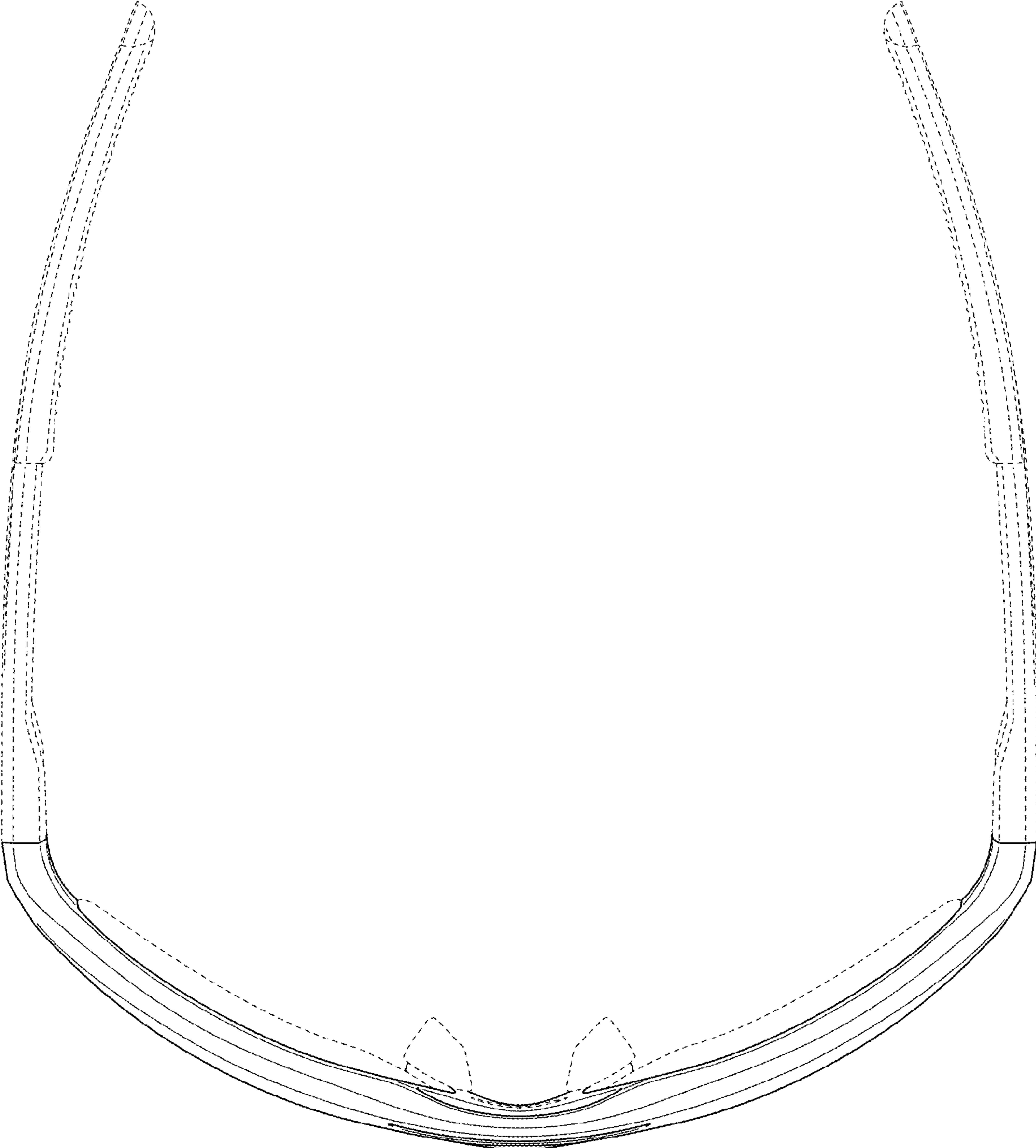


FIG. 5

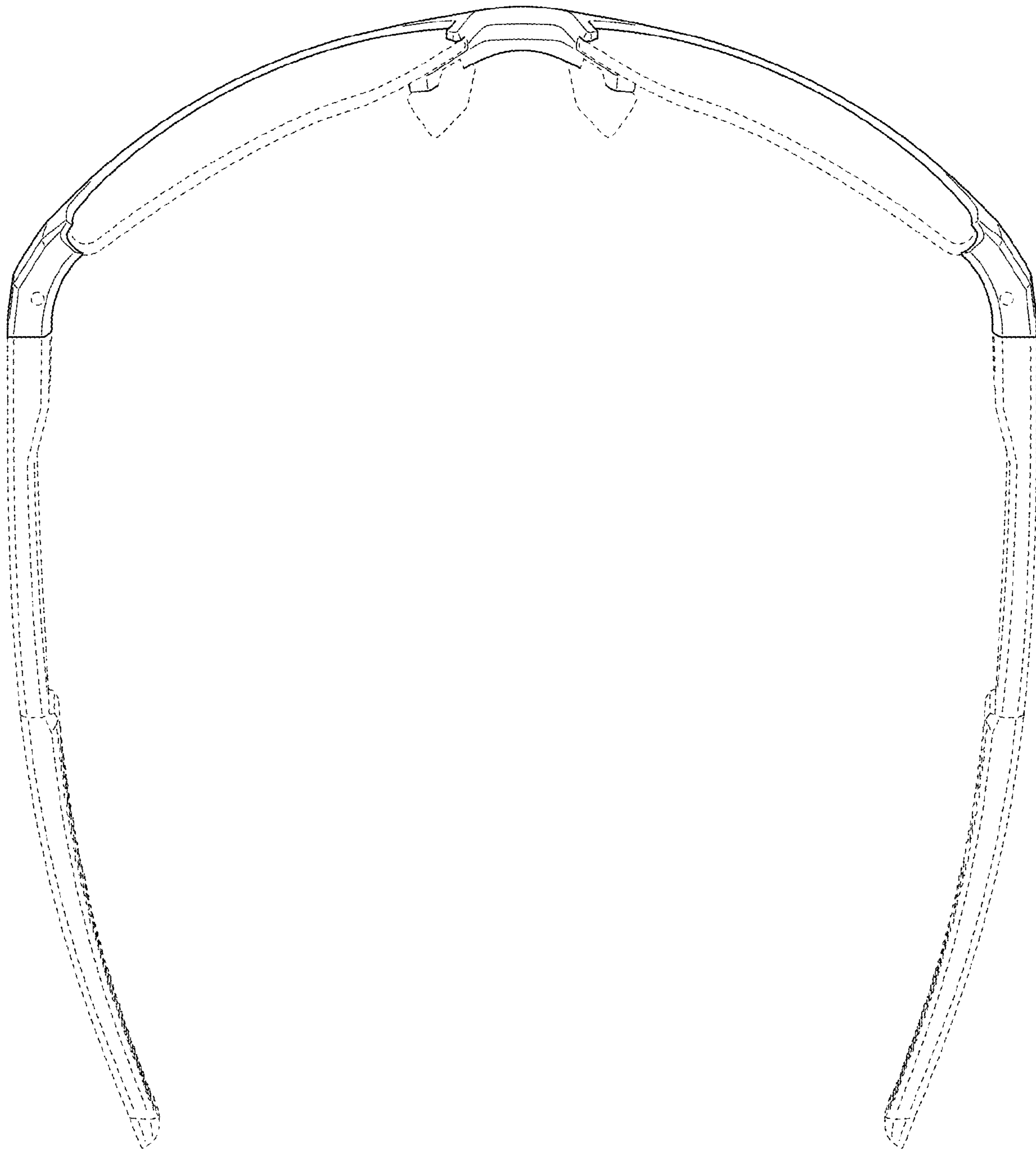


FIG. 6