



US00D879186S

(12) **United States Design Patent**  
**Fang et al.**

(10) **Patent No.:** **US D879,186 S**  
(45) **Date of Patent:** **\*\* Mar. 24, 2020**

(54) **CAMERA MOUNT**

(71) Applicant: **Gudsen Technology Co., Ltd,**  
Shenzhen, Guangdong (CN)

(72) Inventors: **Sheng Fang,** Guangdong (CN);  
**Junwen Ding,** Guangdong (CN);  
**Xiheng Shi,** Guangdong (CN)

(73) Assignee: **Gudsen Technology Co., Ltd,**  
Shenzhen (CN)

(\*\*) Term: **15 Years**

(21) Appl. No.: **29/671,345**

(22) Filed: **Nov. 27, 2018**

(30) **Foreign Application Priority Data**

Sep. 28, 2018 (CN) ..... 2018 3 0548277

(51) **LOC (12) Cl.** ..... **16-05**

(52) **U.S. Cl.**  
USPC ..... **D16/243**

(58) **Field of Classification Search**  
USPC ..... D16/208–209, 219, 237–250; D8/354,  
D8/355, 363, 373, 382–383, 394–396;  
D14/224, 229, 238, 251, 253, 447, 451,  
D14/457  
CPC ..... F16M 11/06–10; F16M 11/14; G02B  
7/00–002; G03B 17/56; G03B  
17/561–568; H04N 5/2253–2254  
See application file for complete search history.

(56) **References Cited**

**U.S. PATENT DOCUMENTS**

8,267,361 B1 \* 9/2012 Dordick ..... F16M 11/14  
248/178.1  
9,458,963 B1 \* 10/2016 Choi ..... G01C 21/16  
D780,825 S \* 3/2017 Kim ..... D10/103  
D784,997 S \* 4/2017 Cheng ..... D14/447

D794,606 S \* 8/2017 Zheng ..... D14/217  
D795,946 S \* 8/2017 Kim ..... D16/206  
9,800,786 B1 \* 10/2017 Wei ..... G03B 17/563  
D810,171 S \* 2/2018 Kim ..... D16/206  
D810,806 S \* 2/2018 Kim ..... D16/206  
D814,545 S \* 4/2018 Kim ..... D16/206  
D815,180 S \* 4/2018 Kim ..... D16/206  
D824,882 S \* 8/2018 Zheng ..... D14/217  
D826,310 S \* 8/2018 Wang ..... D16/243

(Continued)

**OTHER PUBLICATIONS**

Moza Air X Gudsen. [online] Published on Feb. 8, 2019. Retrieved  
Dec. 12, 2019 from URL: <https://www.gudsen.com/moza-air-x>.\*

*Primary Examiner* — Vy N Koenig

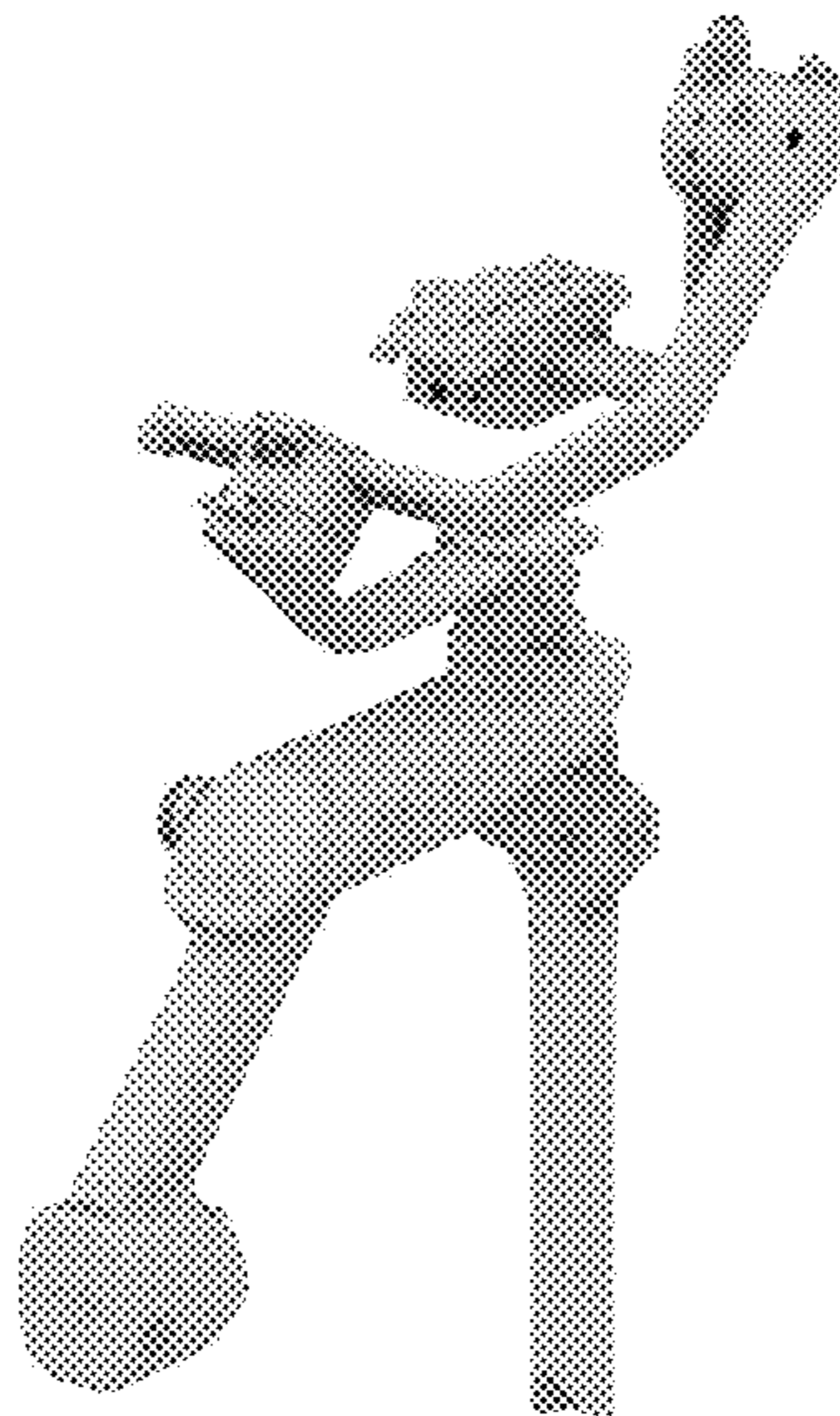
(57) **CLAIM**

The ornamental design for a camera mount, as shown and  
described.

**DESCRIPTION**

FIG. 1 is a front elevational view of a camera mount  
showing our new design;  
FIG. 2 is a rear elevational view thereof;  
FIG. 3 is a left side view thereof;  
FIG. 4 is a right side view thereof;  
FIG. 5 is a top plan view thereof;  
FIG. 6 is a bottom plan view thereof;  
FIG. 7 is a top, front and left side perspective view thereof;  
FIG. 8 is a bottom, front and left side perspective view  
thereof;  
FIG. 9 is a top, rear and right side perspective view thereof;  
FIG. 10 is a top, front and right side perspective view  
thereof;  
FIG. 11 is a bottom, front and right side perspective view  
thereof; and,  
FIG. 12 is a bottom, rear and left side perspective view  
thereof.

**1 Claim, 12 Drawing Sheets**



(56)

**References Cited**

U.S. PATENT DOCUMENTS

D836,699	S *	12/2018	Kim	.....	D16/206
10,274,127	B2 *	4/2019	Wei	.....	F16M 11/041
D857,786	S *	8/2019	Kim	.....	D16/243
D860,170	S *	9/2019	Ding	.....	D14/217
10,400,939	B2 *	9/2019	Yan	.....	F16M 11/123
D863,411	S *	10/2019	Liao	.....	D16/243
10,432,863	B2 *	10/2019	Appel	.....	F16M 11/10
D866,647	S *	11/2019	Kim	.....	D16/243
10,465,840	B2 *	11/2019	Gubler	.....	B64C 39/024
2015/0261070	A1 *	9/2015	Feng	.....	G03B 17/561 396/421
2016/0381271	A1 *	12/2016	Cheng	.....	F16M 11/041 348/208.2
2017/0037995	A1 *	2/2017	Pan	.....	G03B 17/561
2017/0146892	A1 *	5/2017	Wei	.....	F16M 11/045
2017/0241589	A1 *	8/2017	Wang	.....	F16M 11/18
2017/0307136	A1 *	10/2017	Wei	.....	F16M 13/04
2018/0031951	A1 *	2/2018	Wang	.....	G03B 17/561
2019/0049060	A1 *	2/2019	Ma	.....	F16M 11/12

\* cited by examiner

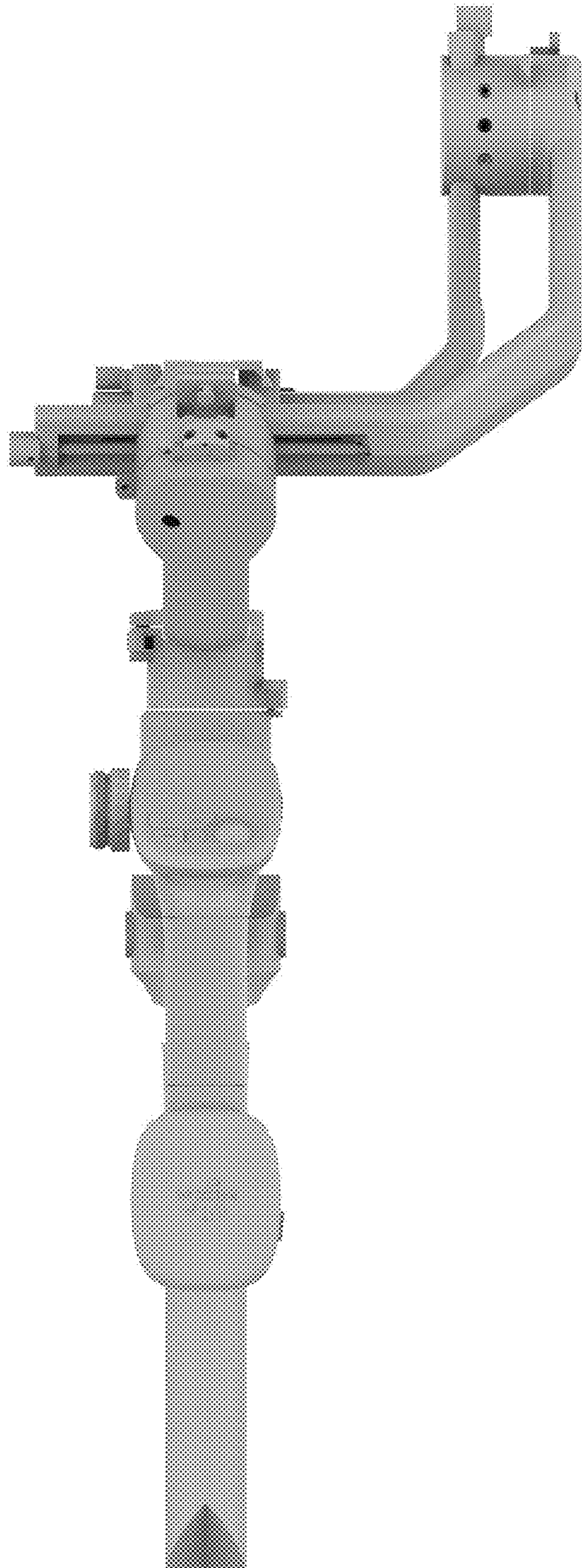


FIG. 1



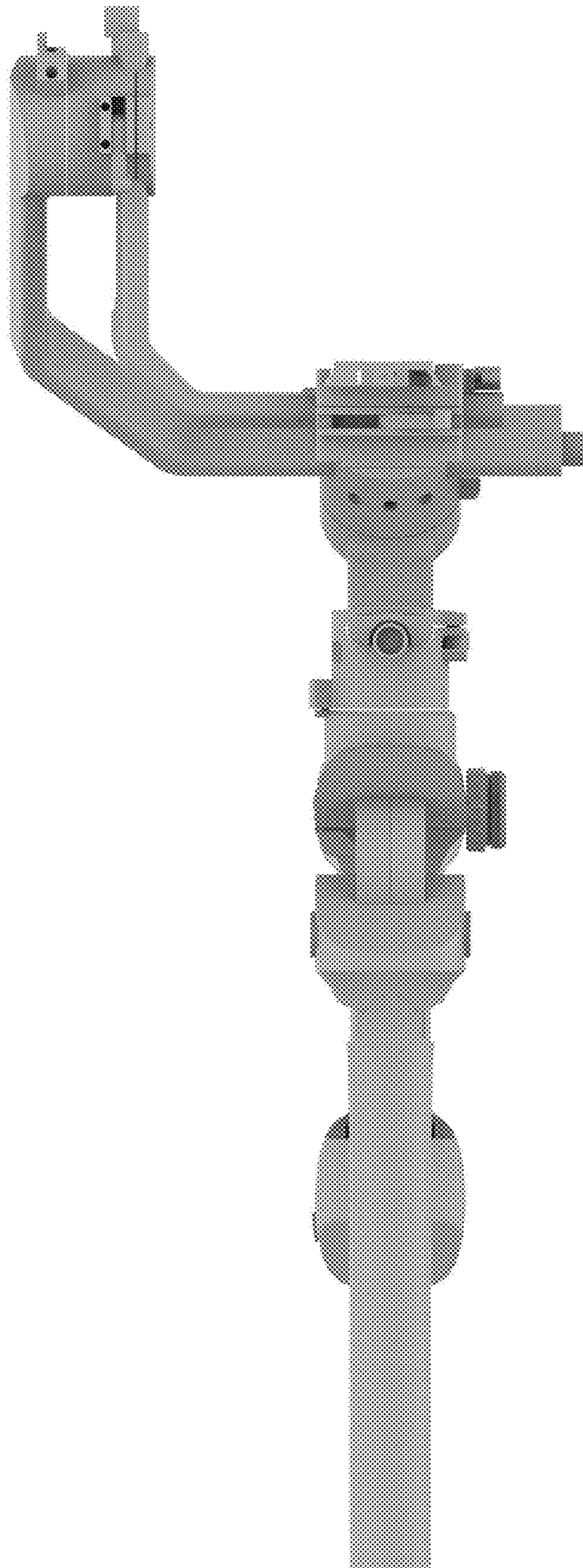


FIG. 2

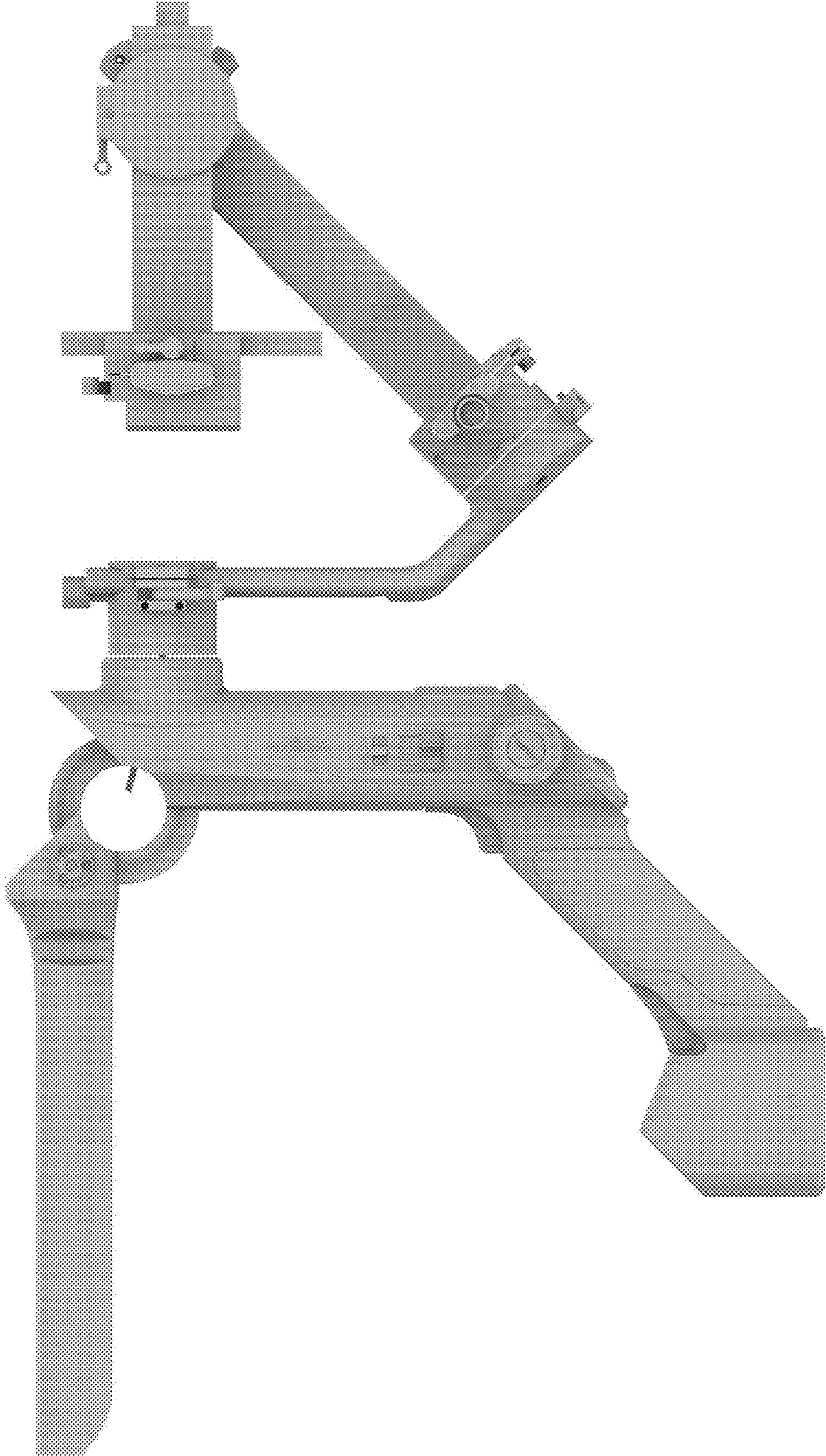


FIG. 3



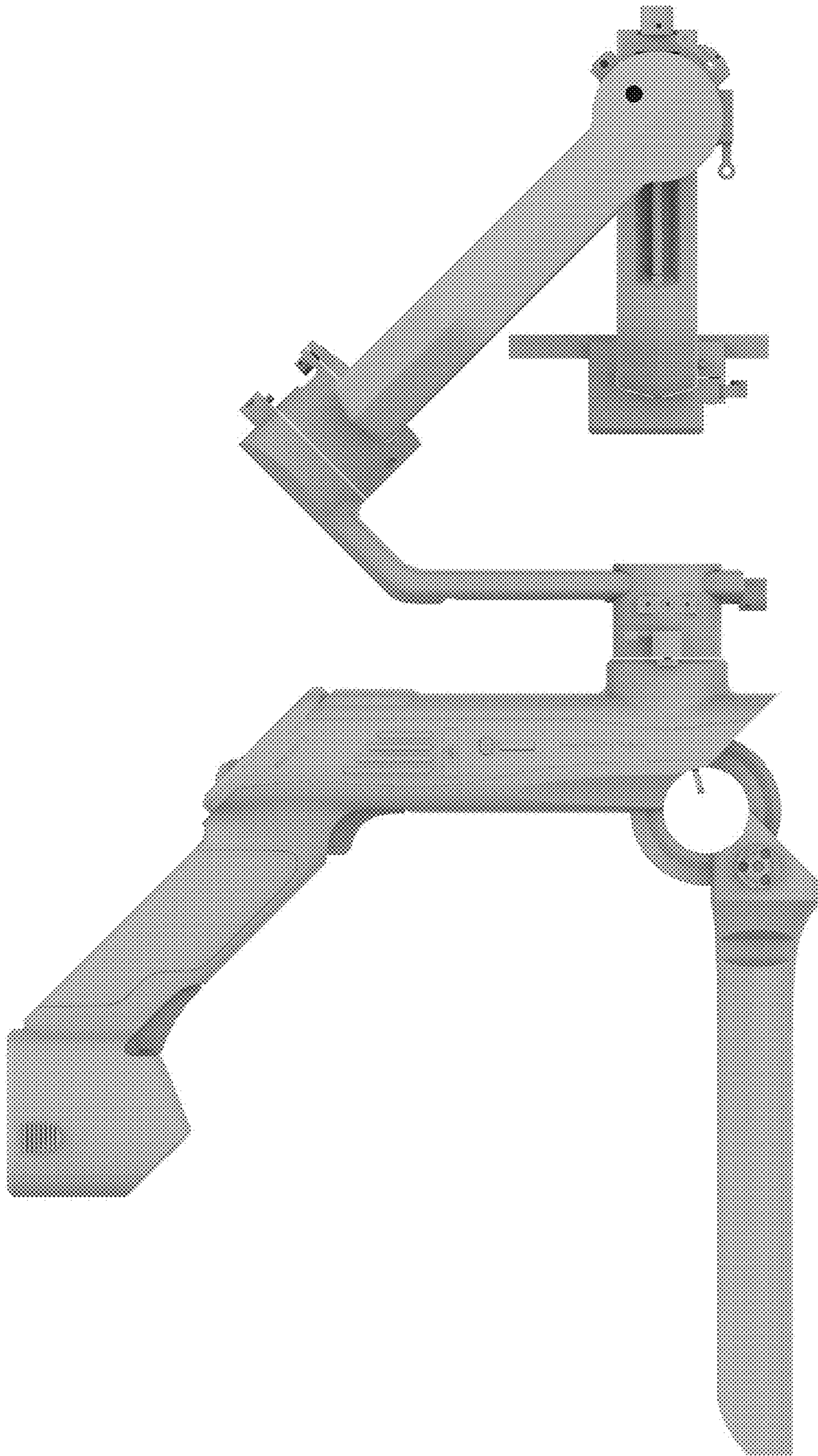


FIG. 4

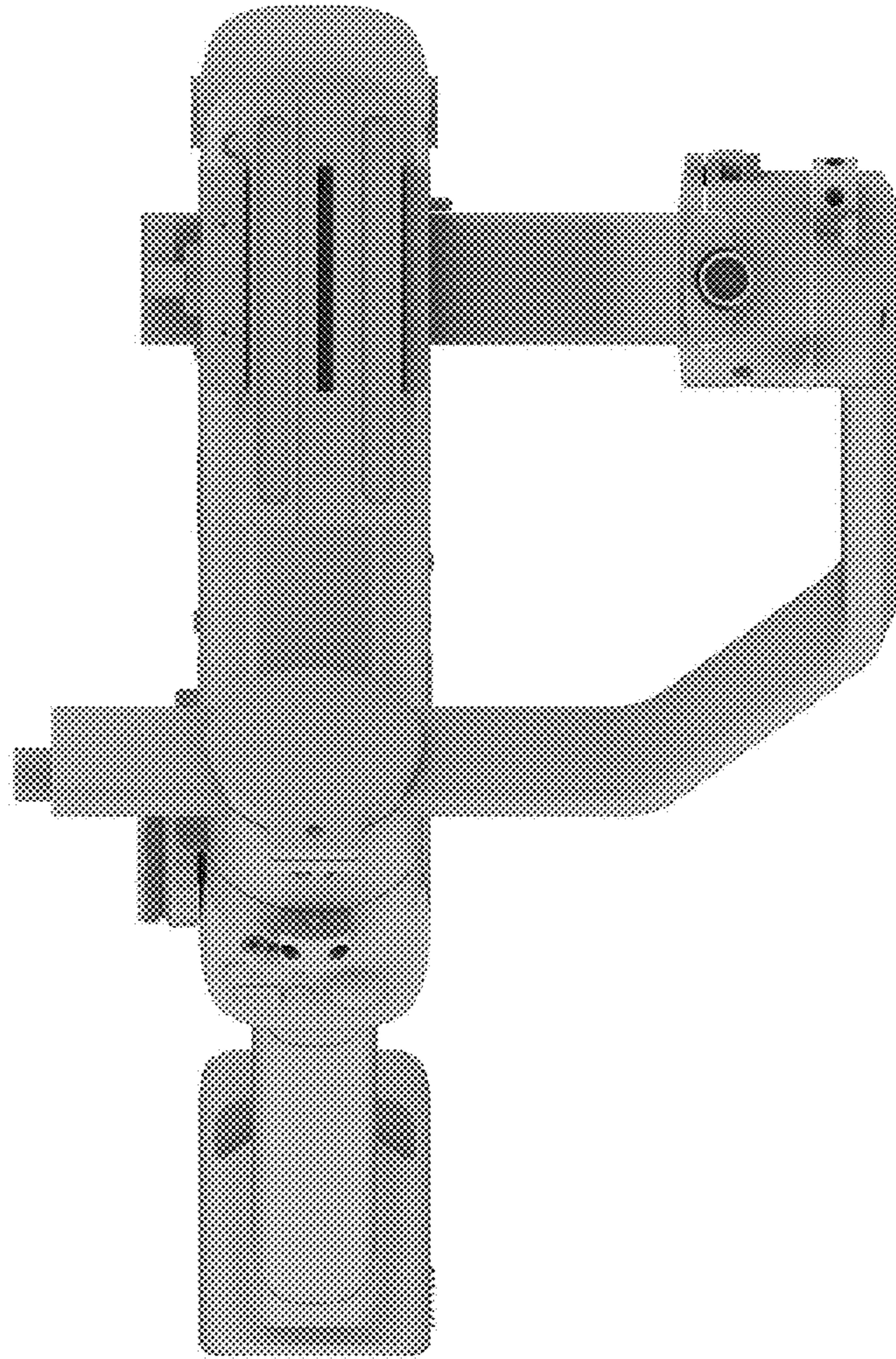


FIG. 5



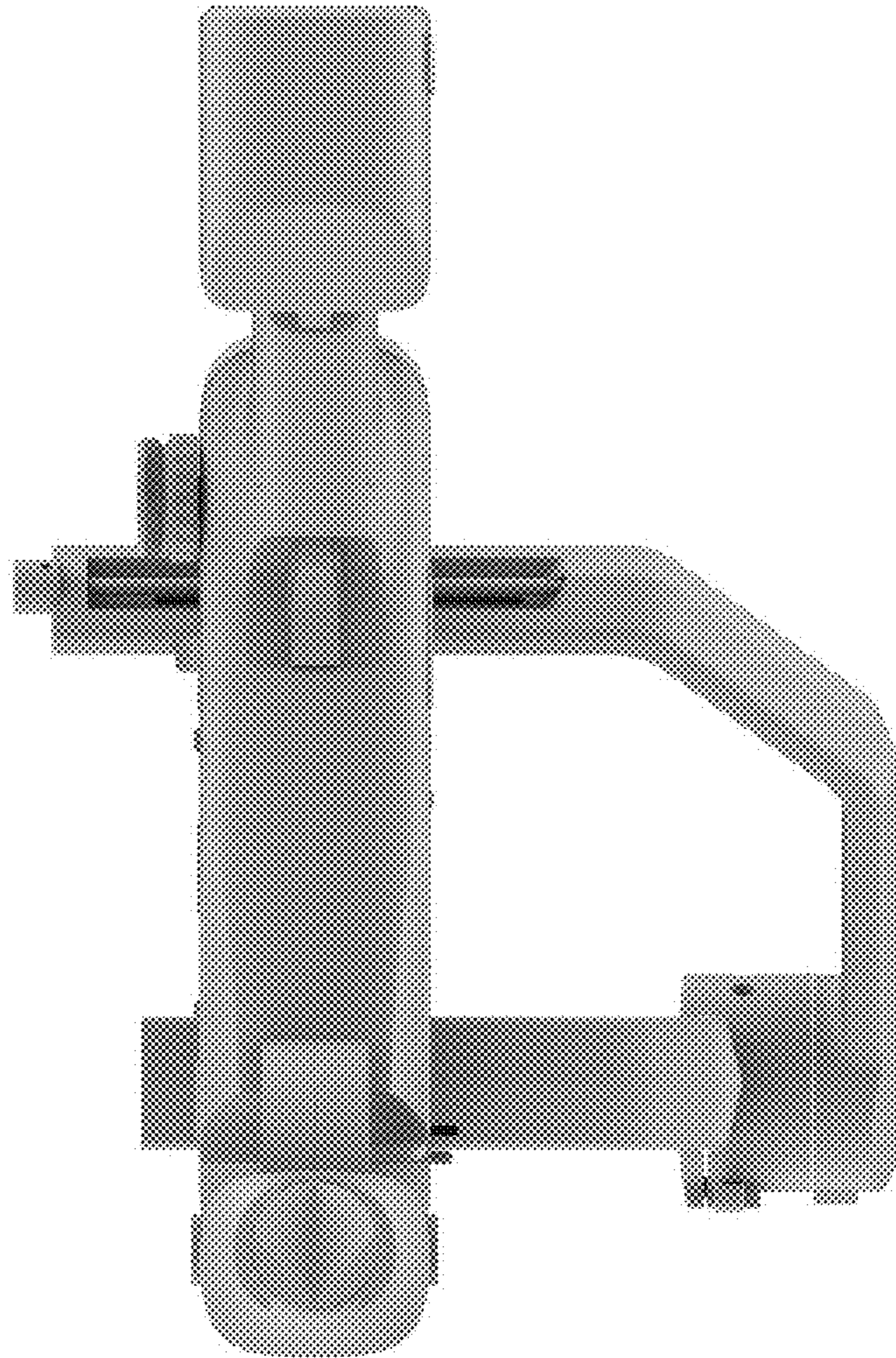


FIG. 6



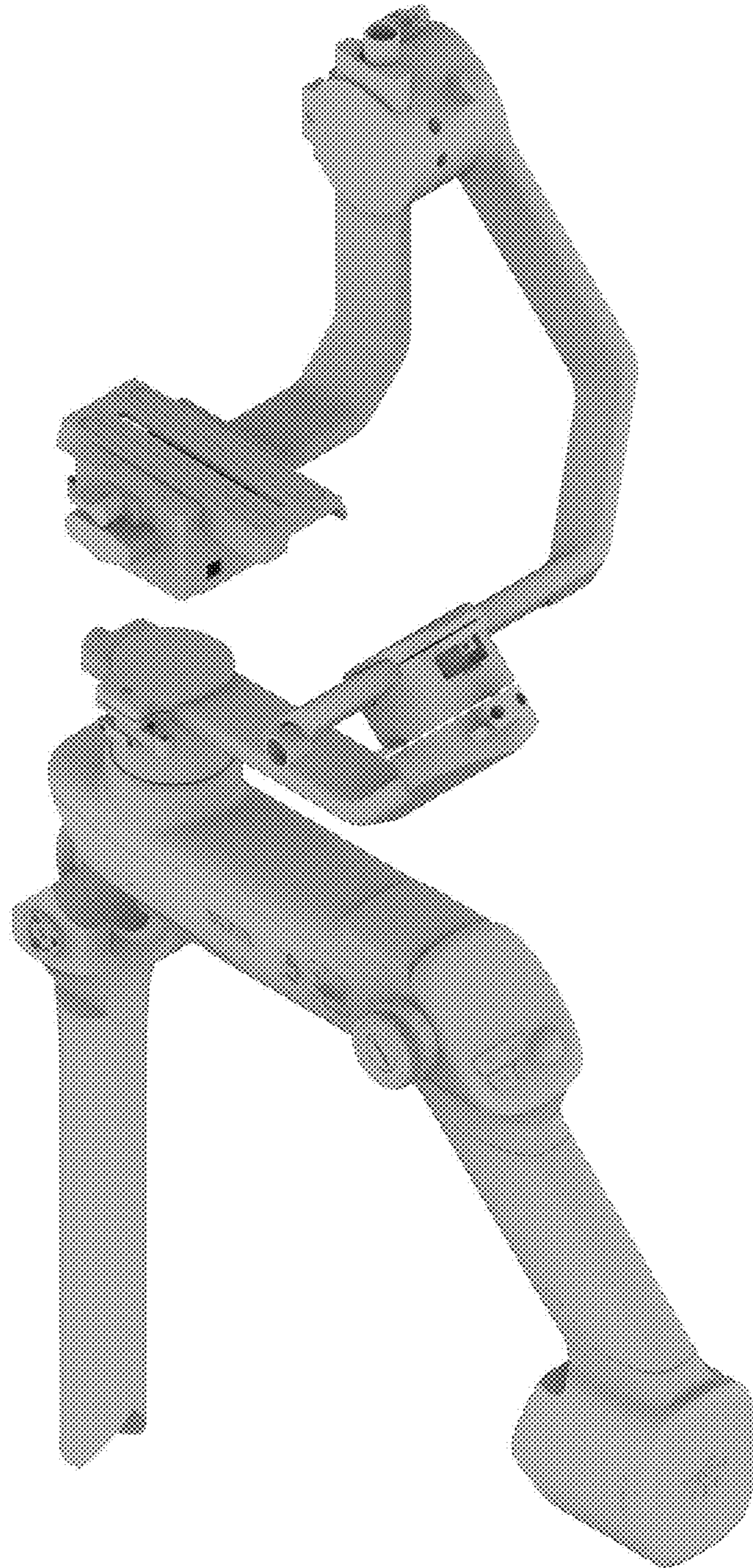


FIG. 7

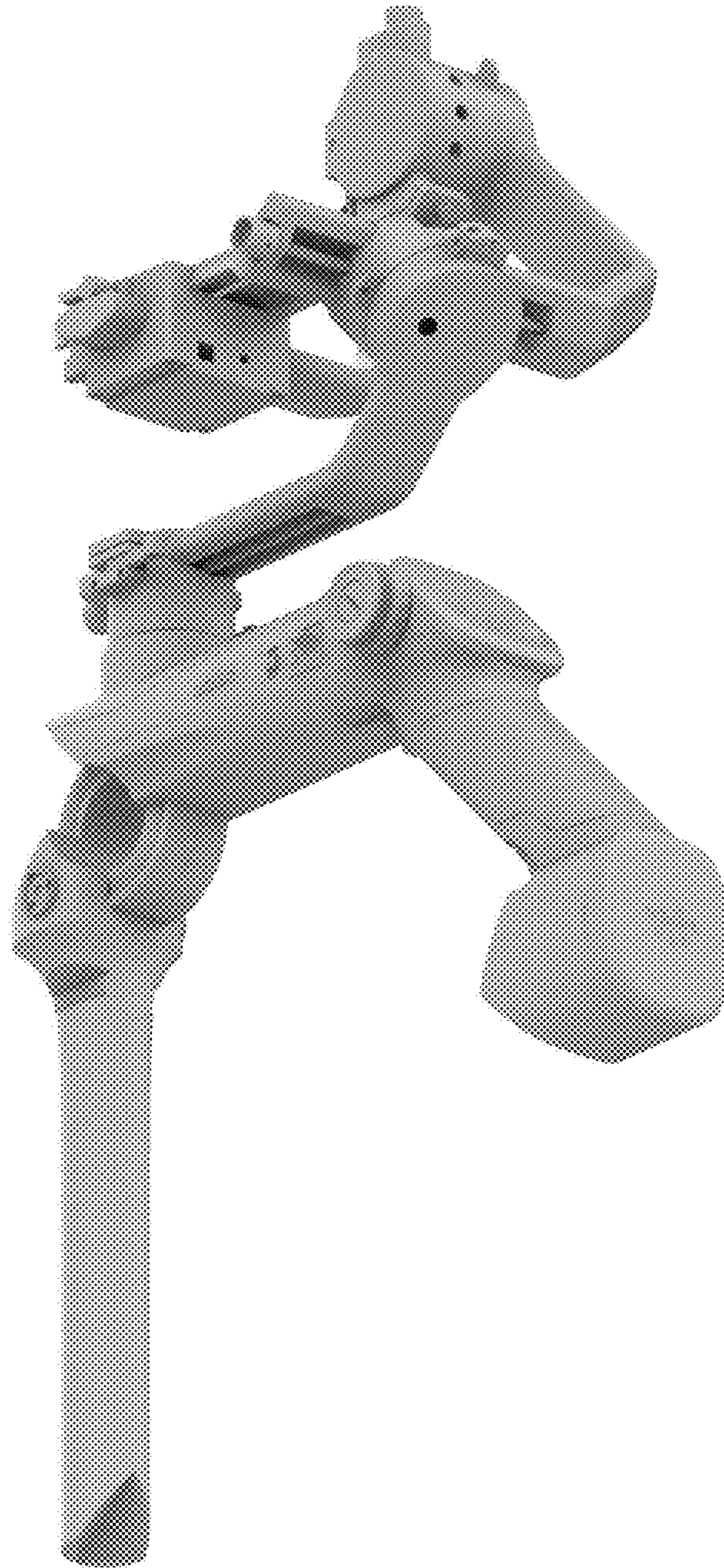


FIG. 8



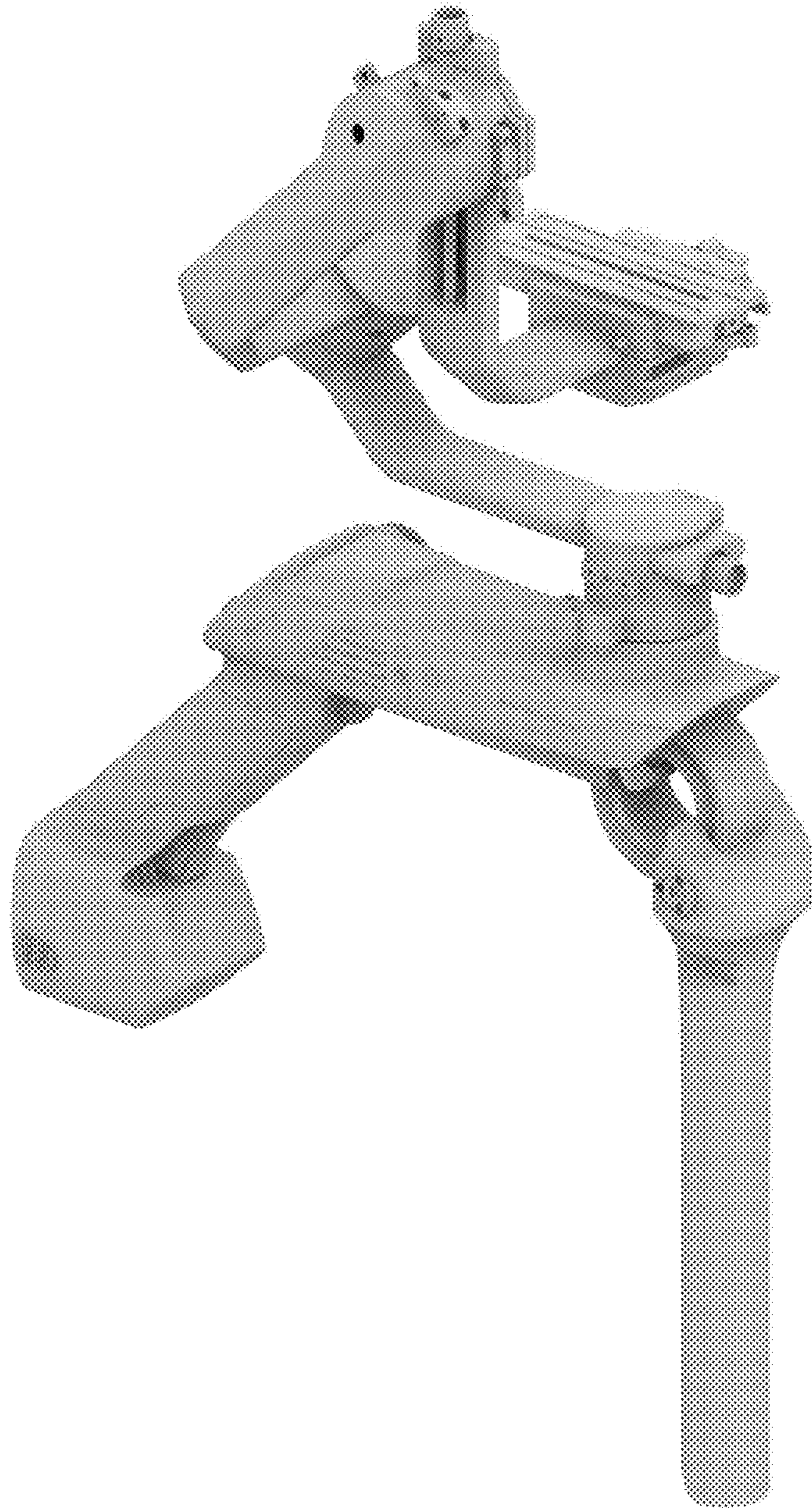


FIG. 9

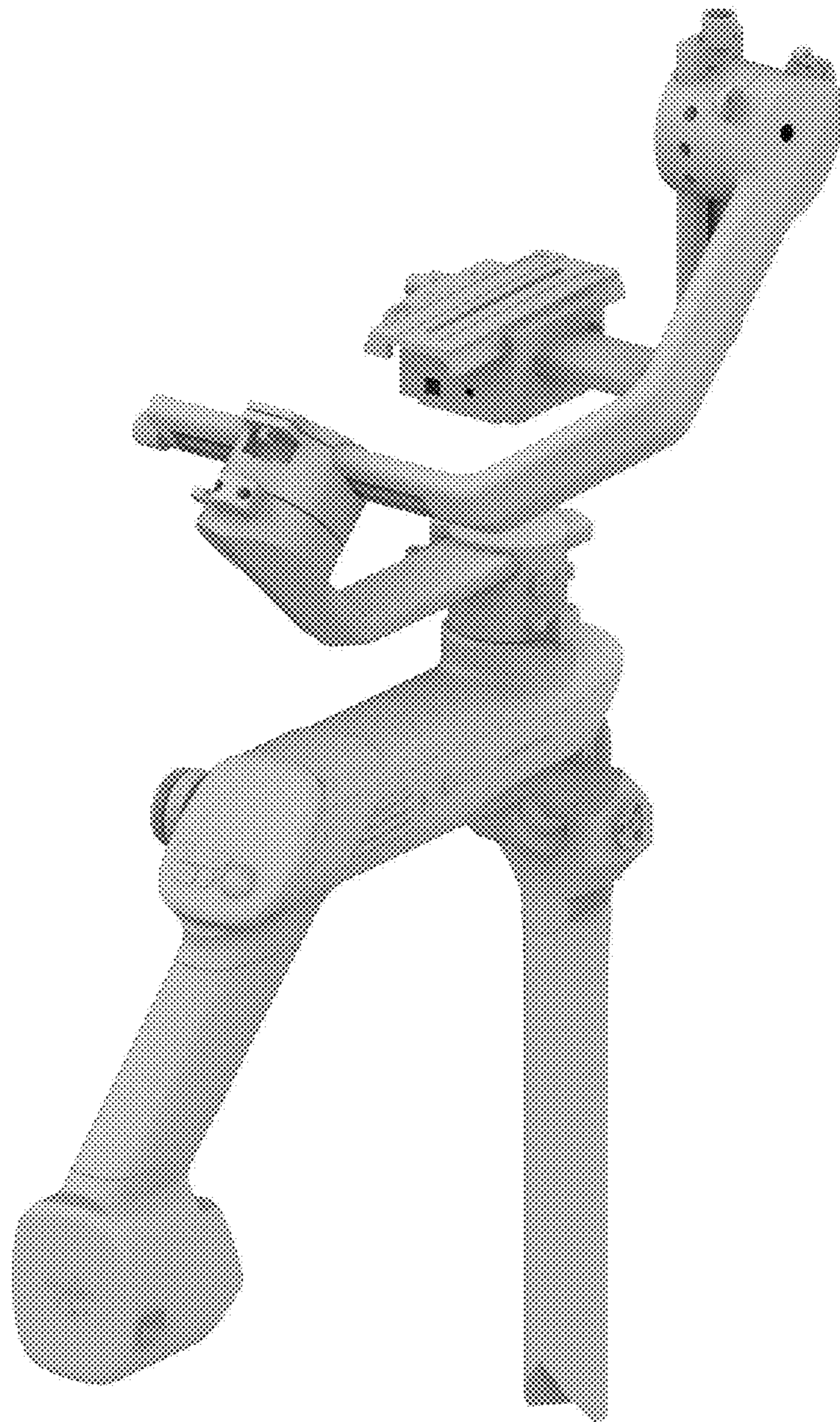


FIG. 10



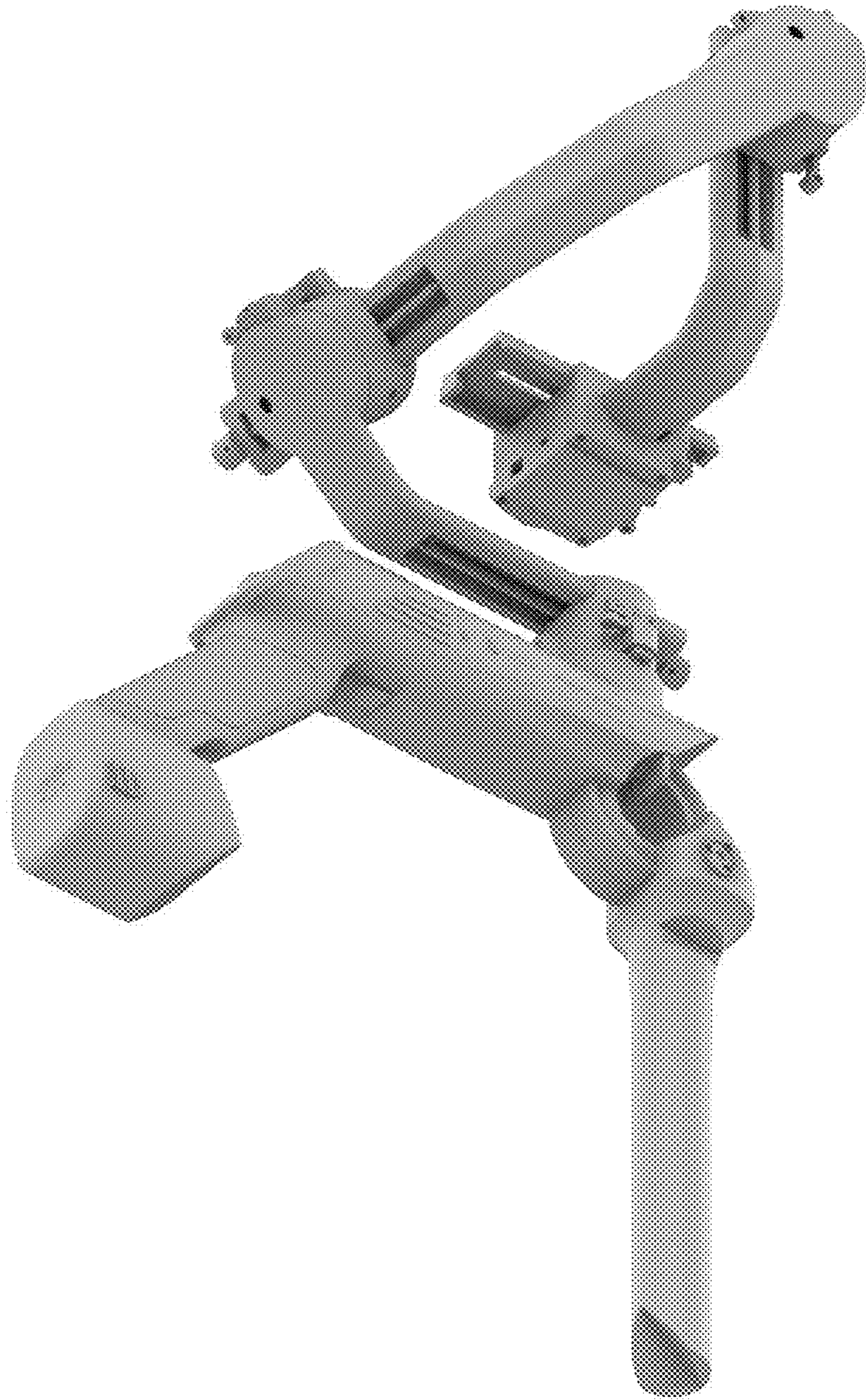


FIG. 11

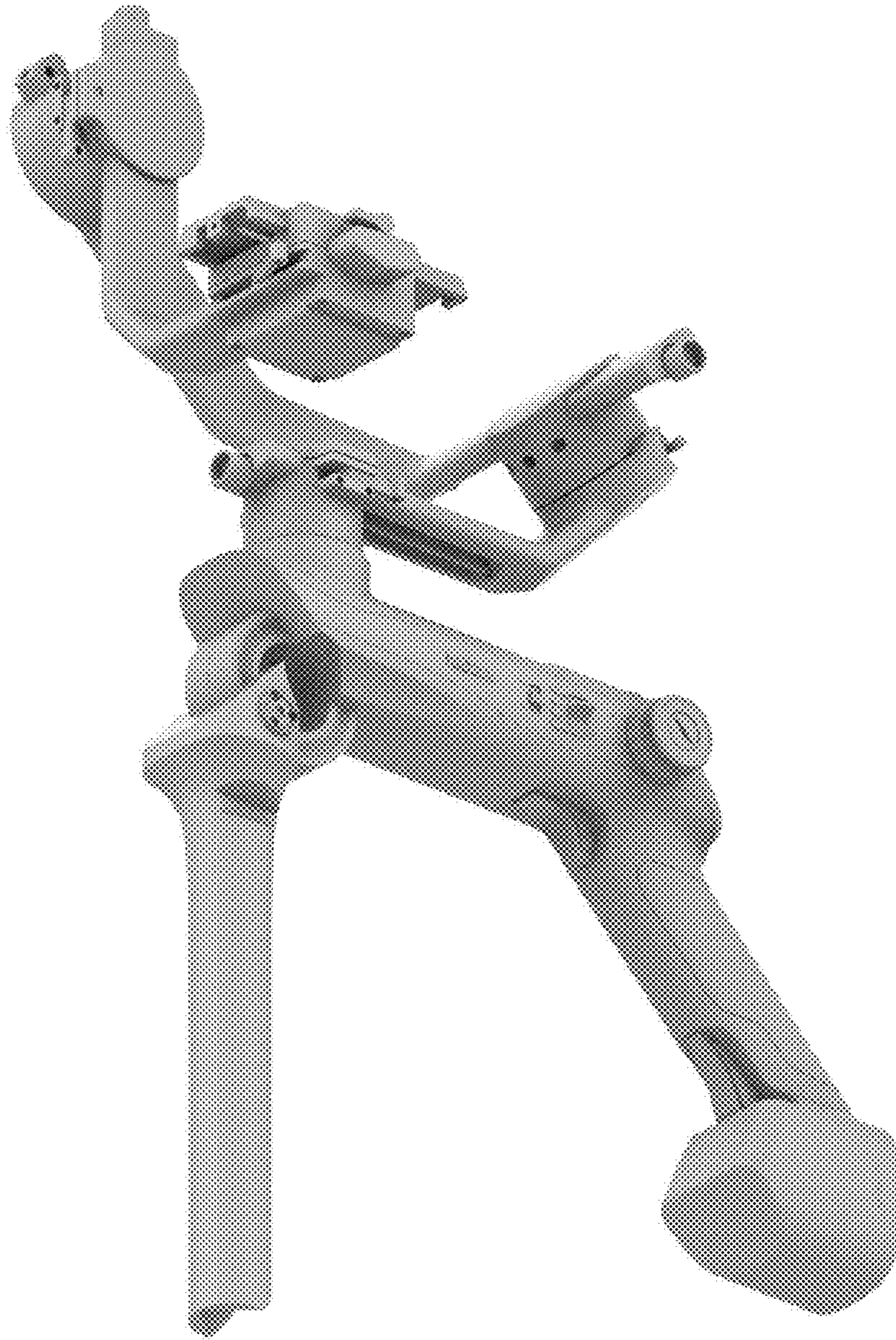


FIG. 12