



US00D879185S

(12) **United States Design Patent**  
**Guzik et al.**

(10) **Patent No.:** **US D879,185 S**  
(45) **Date of Patent:** **\*\* Mar. 24, 2020**

(54) **MAGNETIC MOUNT**

(71) Applicant: **GETAC TECHNOLOGY CORPORATION**, Hsinchu County (TW)

(72) Inventors: **Thomas Guzik**, Edina, MN (US); **Ssu-Yuan Wu**, Taipei (TW)

(73) Assignee: **GETAC TECHNOLOGY CORPORATION**, Hsinchu County (TW)

(\*\*) Term: **15 Years**

(21) Appl. No.: **29/657,456**

(22) Filed: **Jul. 23, 2018**

(51) **LOC (12) Cl.** ..... **16-05**

(52) **U.S. Cl.**  
USPC ..... **D16/242; D3/218**

(58) **Field of Classification Search**  
USPC ..... D8/354, 355; D14/250–254; D16/237, D16/242; D3/215, 218–219  
CPC ..... F16M 13/04; F16M 13/00; F16M 11/041; G03B 17/561; G03B 17/566; G03B 17/56; G03B 17/08; A45F 5/02  
See application file for complete search history.

(56) **References Cited**

**U.S. PATENT DOCUMENTS**

5,235,728	A *	8/1993	Nordberg	.....	A45F 5/02
					224/667
D433,436	S *	11/2000	Unertl	.....	396/426
D521,232	S *	5/2006	Andre	.....	D3/218
D616,430	S *	5/2010	Fathollahi	.....	D14/250
D657,137	S *	4/2012	Weller	.....	D3/218
D683,955	S *	6/2013	Melanson	.....	D3/218
D737,363	S *	8/2015	Russell	.....	D16/208
9,223,190	B1 *	12/2015	Yang	.....	G03B 17/566
D768,755	S *	10/2016	Thomas	.....	D16/242

9,904,148	B1 *	2/2018	Druker	.....	G03B 17/561
D854,311	S *	7/2019	Burns	.....	D3/215
10,480,711	B1 *	11/2019	Tran	.....	F16M 13/04
2006/0231713	A1 *	10/2006	Crain	.....	G01C 15/00
					248/309.1
2011/0031287	A1 *	2/2011	Le Gette	.....	F16M 11/2021
					224/101
2011/0069947	A1 *	3/2011	Orf	.....	F16M 11/041
					396/419
2012/0174341	A1 *	7/2012	Rogers	.....	A45F 5/02
					24/3.1
2013/0213826	A1 *	8/2013	Partridge	.....	F16M 11/10
					206/45.24
2014/0028243	A1 *	1/2014	Rayner	.....	G06F 1/163
					320/103

(Continued)

*Primary Examiner* — Lauren R Calve

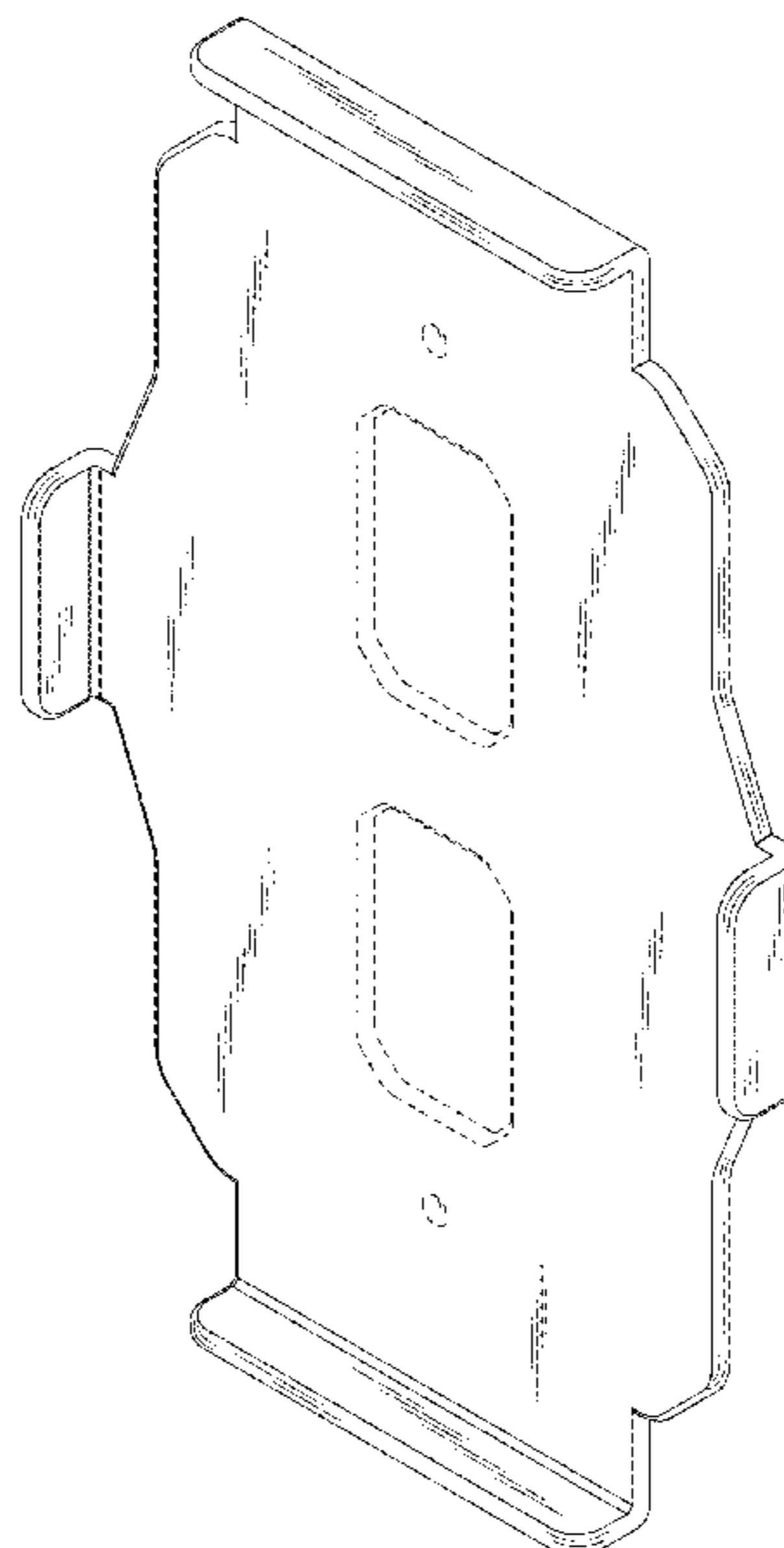
(57) **CLAIM**

The ornamental design for a magnetic mount, as shown and described.

**DESCRIPTION**

FIG. 1 is a perspective view of a magnetic mount showing our new design;  
 FIG. 2 is a front view thereof;  
 FIG. 3 is a rear view thereof;  
 FIG. 4 is a left side view thereof;  
 FIG. 5 is a right side view thereof;  
 FIG. 6 is a top view thereof;  
 FIG. 7 is a bottom view thereof;  
 FIG. 8 is an exploded perspective view showing the magnetic mount being adapted to combine with a magnetic accessory for attaching to clothing; and,  
 FIG. 9 is another front view showing the magnetic mount being in a usage state.  
 The broken lines are directed to environment and show portions of the magnetic mount that form no part of the claimed design.

**1 Claim, 9 Drawing Sheets**



(56)

**References Cited**

U.S. PATENT DOCUMENTS

2018/0259123 A1\* 9/2018 Shim ..... F16M 11/10  
2019/0246776 A1\* 8/2019 Tran ..... A45F 5/02

\* cited by examiner

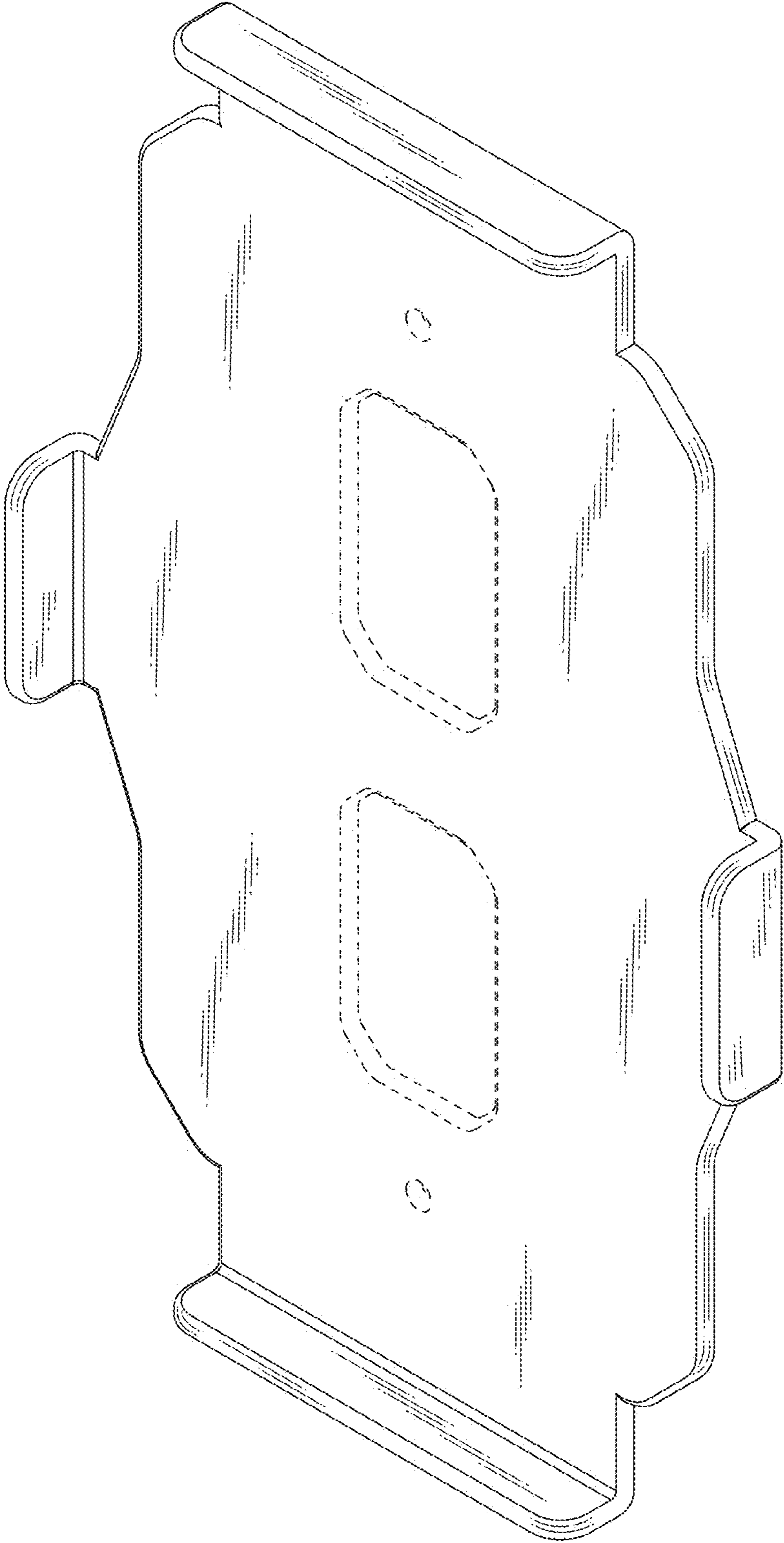


FIG. 1

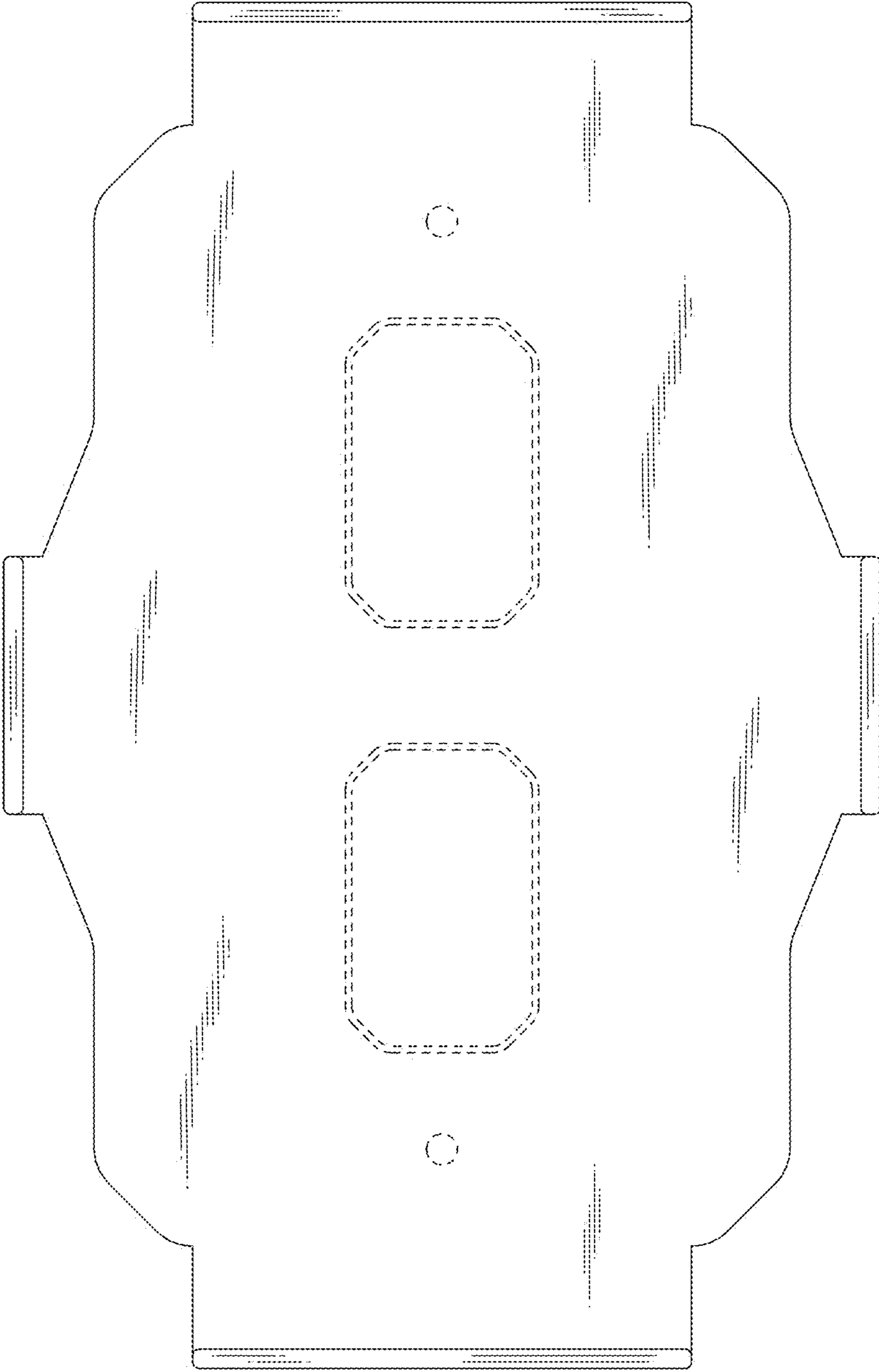


FIG.2

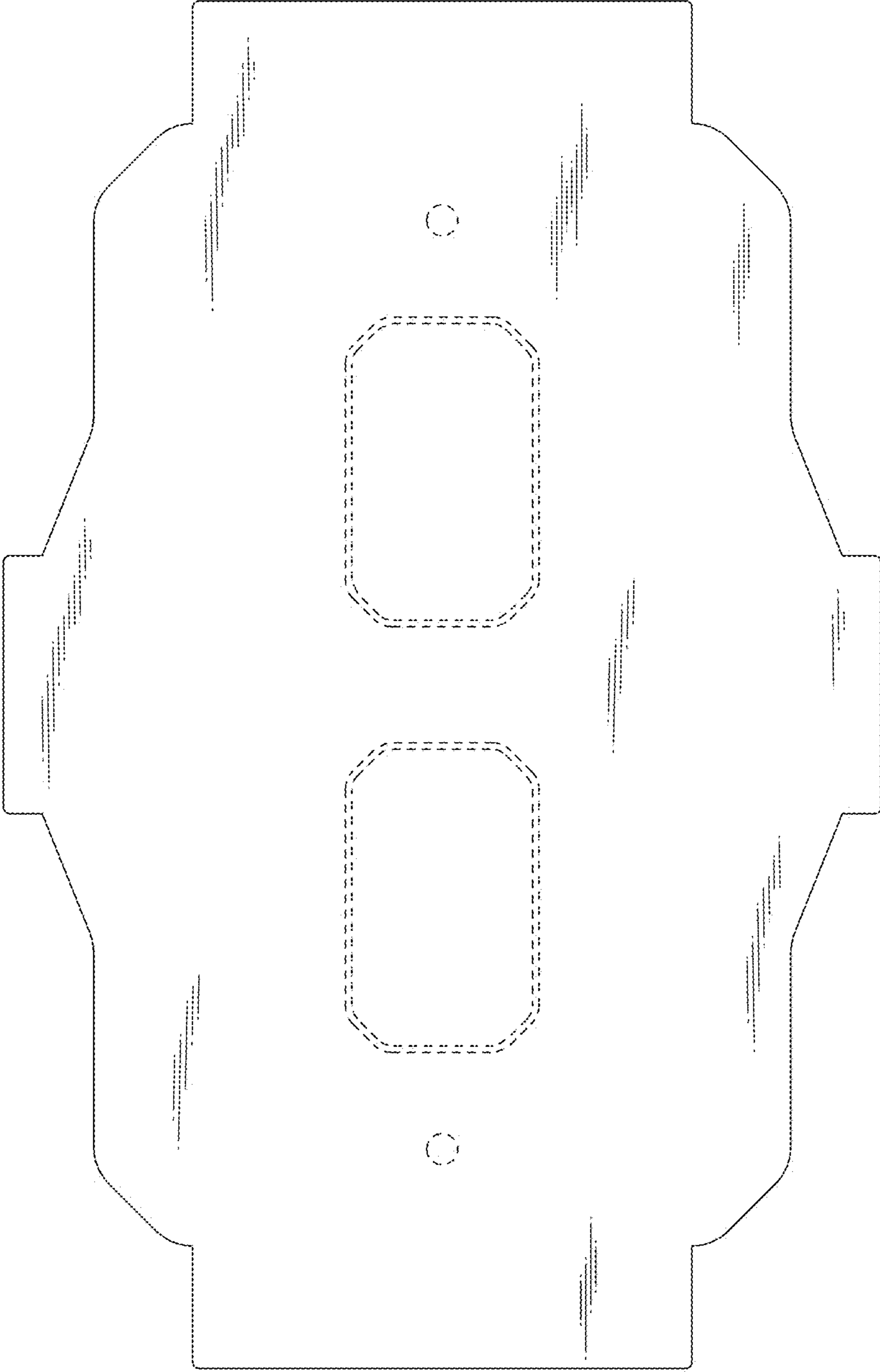


FIG.3

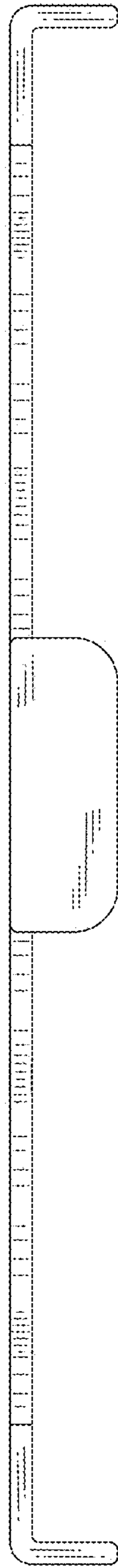


FIG. 4

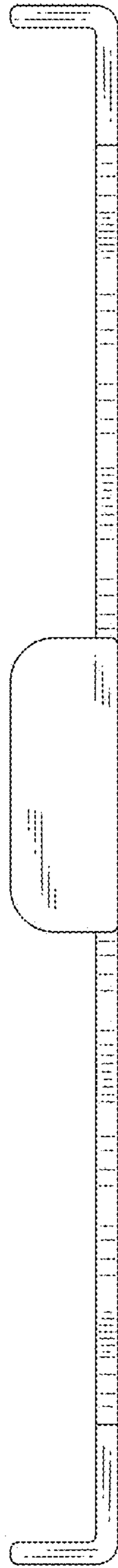


FIG. 5

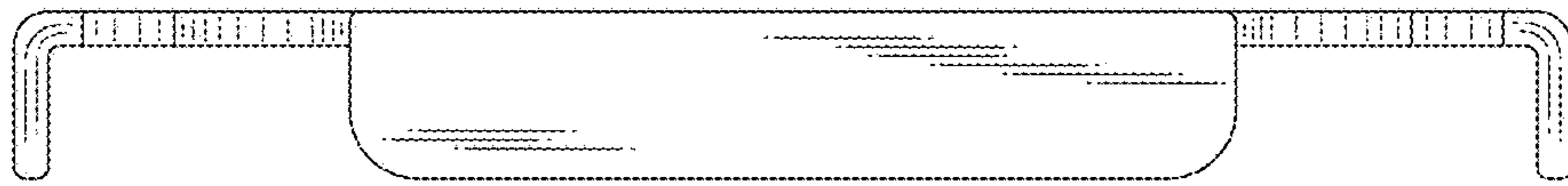


FIG. 6



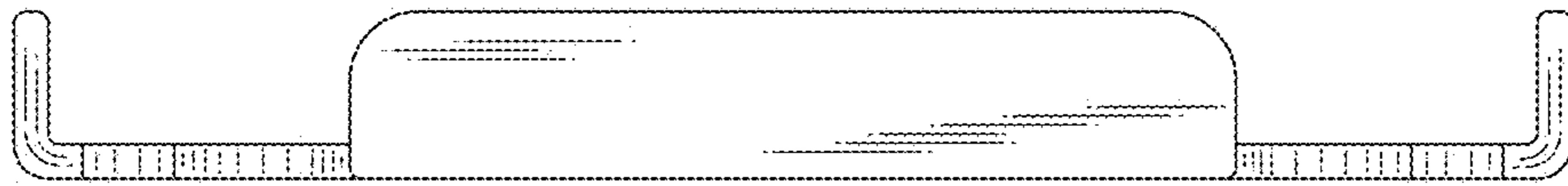


FIG. 7

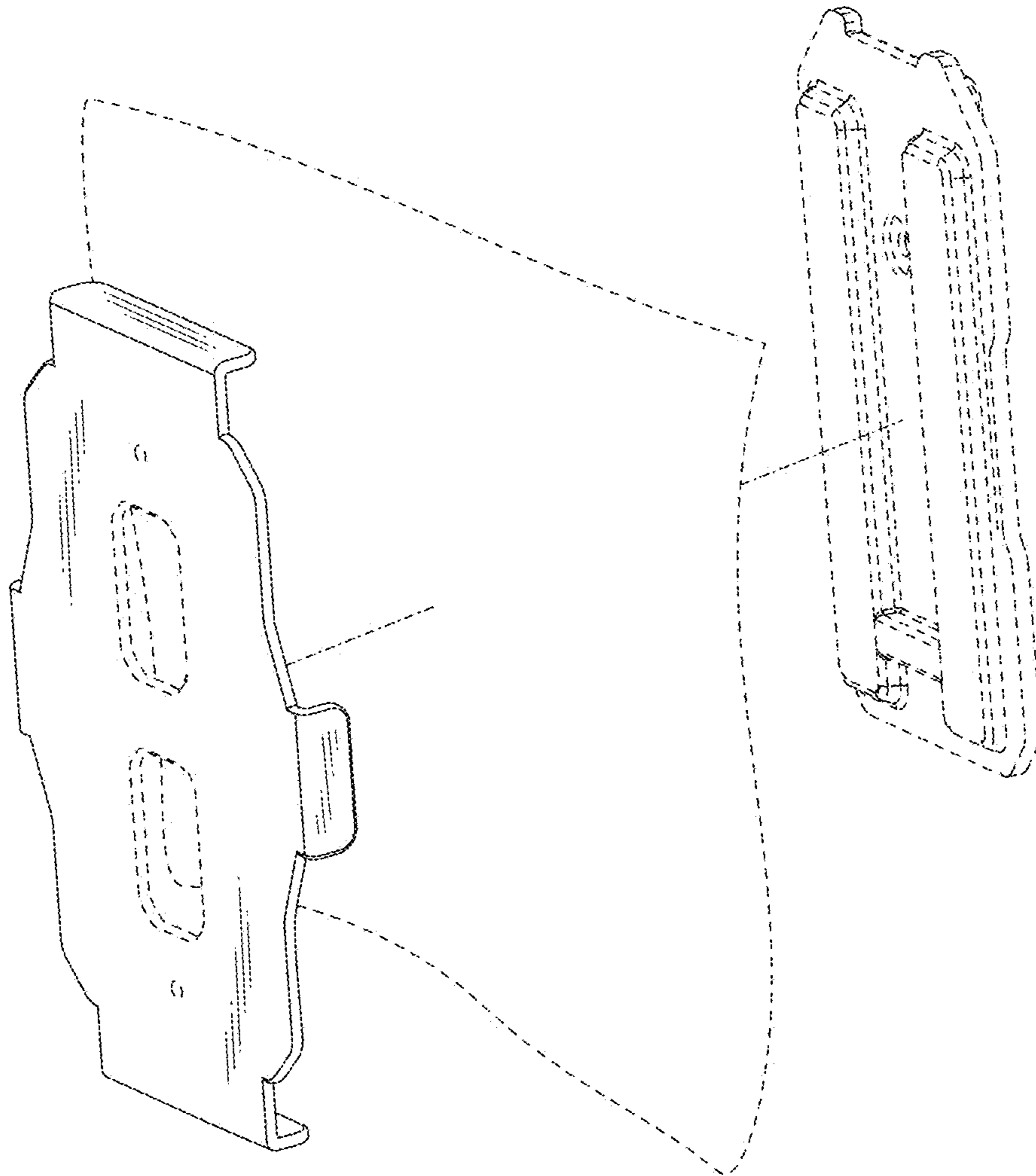


FIG. 8

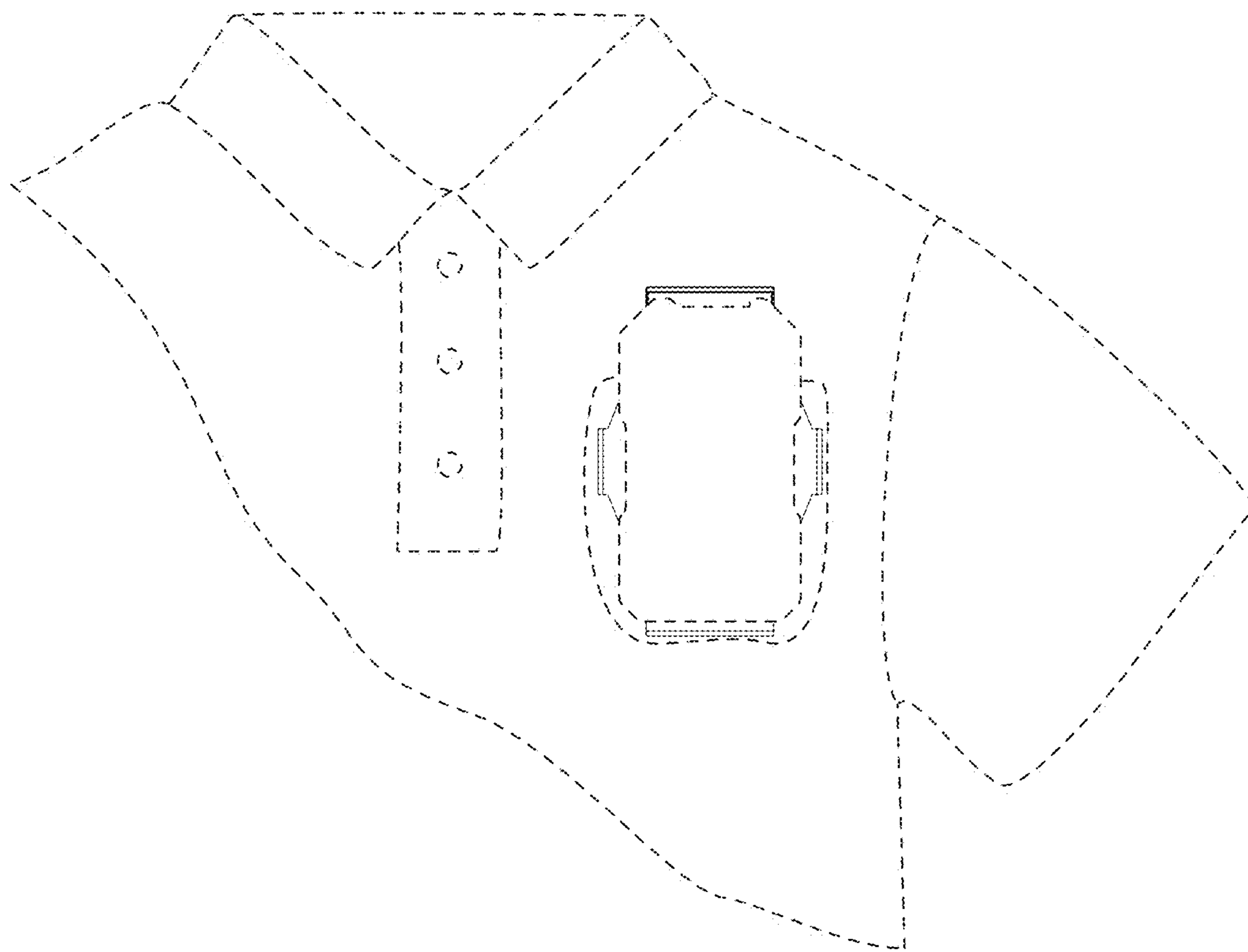


FIG. 9