



US00D879184S

(12) **United States Design Patent**
Fissell et al.

(10) **Patent No.:** **US D879,184 S**

(45) **Date of Patent:** **** Mar. 24, 2020**

(54) **TRANSPARENT OR TRANSLUCENT
PHOTOGRAPHY TABLE**

(71) Applicants: **Jeremy Justin Fissell**, San Luis
Obispo, CA (US); **Michael Allen**, San
Luis Obispo, CA (US)

(72) Inventors: **Jeremy Justin Fissell**, San Luis
Obispo, CA (US); **Michael Allen**, San
Luis Obispo, CA (US)

(**) **Term:** **15 Years**

(21) **Appl. No.:** **29/683,899**

(22) **Filed:** **Mar. 16, 2019**

(51) **LOC (12) Cl.** **16-05**

(52) **U.S. Cl.**
USPC **D16/237**

(58) **Field of Classification Search**
USPC D16/219, 237–250; D6/629, 692.2,
D6/692.3, 696.1, 697.2; D8/354, 355,
D8/363, 373, 382–383, 394–396;
D14/224, 229, 238, 251, 447, 451, 457;
D26/124, 135, 137
CPC F16M 11/06–10; F16M 11/14; G02B
7/00–002; G03B 17/56; G03B
17/261–568; H04N 5/2253–2254
See application file for complete search history.

(56) **References Cited**

U.S. PATENT DOCUMENTS

889,517 A	6/1908	Gerken	
D145,540 S *	9/1946	Sky	D6/692
2,981,578 A	4/1961	Saارين	
D329,555 S *	9/1992	Tenhove	D6/692.3
D406,966 S *	3/1999	Hsieh	D6/692
D426,667 S *	6/2000	Kaviani	D26/110
D441,127 S *	4/2001	Hoffbauer	D26/135
D442,734 S *	5/2001	Hoffbauer	D26/135
D495,822 S *	9/2004	Yoneda	D26/124
D501,742 S *	2/2005	Collins, III	D6/692.3

D523,333 S *	6/2006	Moretti	D9/444
7,081,644 B2 *	7/2006	Flaherty	H01L 33/58 257/100
D539,443 S *	3/2007	Kwong	D26/2
D540,972 S *	4/2007	Tortel	D26/118
D562,599 S *	2/2008	Everson	D6/692.3

(Continued)

OTHER PUBLICATIONS

LightScoop™ Acrylic Platform Riser. [online] Retrieved Jun. 24,
2019 from URL: https://imajize.squarespace.com/360-photography-turndtable/light-scoop-acrylic-platform-riser.*

Primary Examiner — Vy N Koenig

(57) **CLAIM**

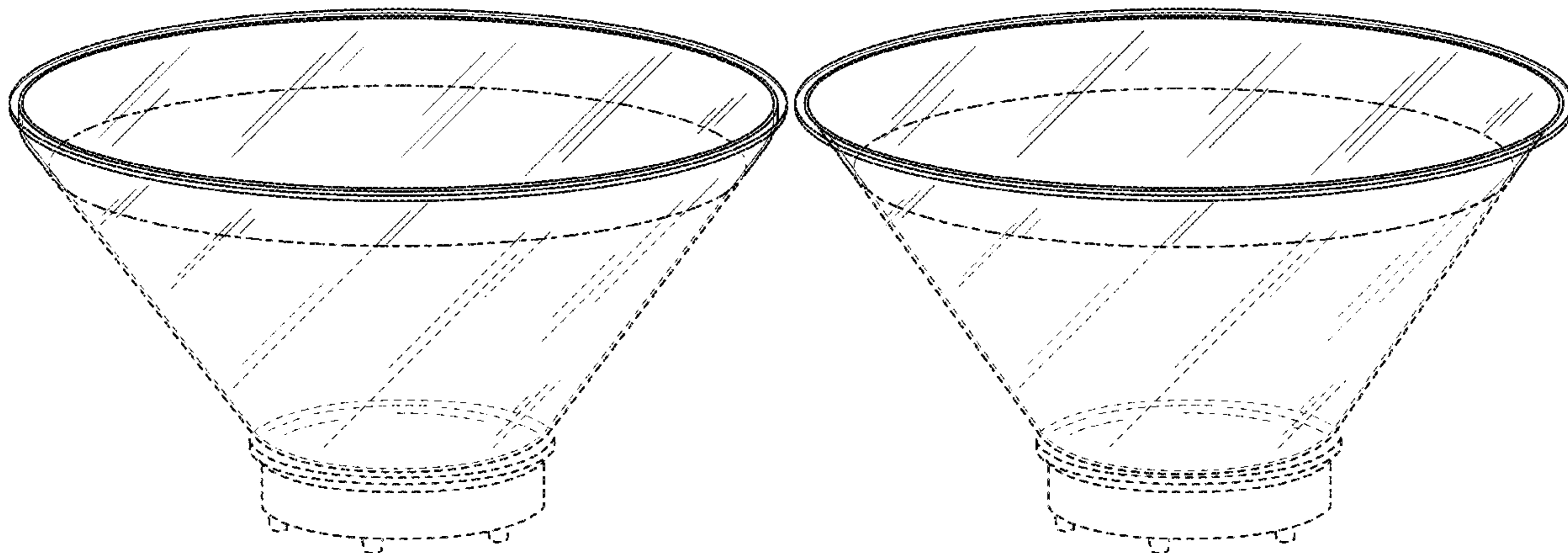
The ornamental design for a transparent or translucent
photography table, as shown and described.

DESCRIPTION

FIG. 1 is a perspective view of a first embodiment of our
new design for a transparent or translucent photography
table;
FIG. 2 is a front and back view thereof;
FIG. 3 is a first and second side view thereof;
FIG. 4 is a top view thereof;
FIG. 5 is a bottom view thereof;
FIG. 6 is a perspective view of a second embodiment of our
new design for a transparent or translucent photography
table;
FIG. 7 is a front and back view thereof;
FIG. 8 is a first and second side view thereof;
FIG. 9 is a top view thereof; and,
FIG. 10 is a bottom view thereof.

The evenly spaced broken lines in the drawings depict
environmental subject matter only and form no part of the
claimed design. The long-dash to short-dash lines in the
above described Figures are boundary lines and form no part
of the claimed design.

1 Claim, 10 Drawing Sheets



(56)

References Cited

U.S. PATENT DOCUMENTS

D578,320 S * 10/2008 Weatherly D6/692
D588,182 S * 3/2009 Fong D16/237
D591,785 S * 5/2009 Fong D16/237
D613,096 S * 4/2010 Stoepker D6/692.3
D623,610 S * 9/2010 Mallory D13/180
D678,598 S * 3/2013 Wu D26/120
D697,665 S * 1/2014 Wang-He D26/124
8,909,035 B2 12/2014 Jancourtz
D725,818 S * 3/2015 Yao D26/118
9,137,439 B1 9/2015 Voris et al.
D779,705 S * 2/2017 Starck D26/93
D782,102 S * 3/2017 Rice D26/124
D851,322 S * 6/2019 Anastassiades D26/91
2010/0014286 A1 * 1/2010 Yoneda F21V 5/00
362/231
2011/0110097 A1 * 5/2011 Fu F21V 5/04
362/296.01
2016/0202599 A1 7/2016 Bochenek

* cited by examiner

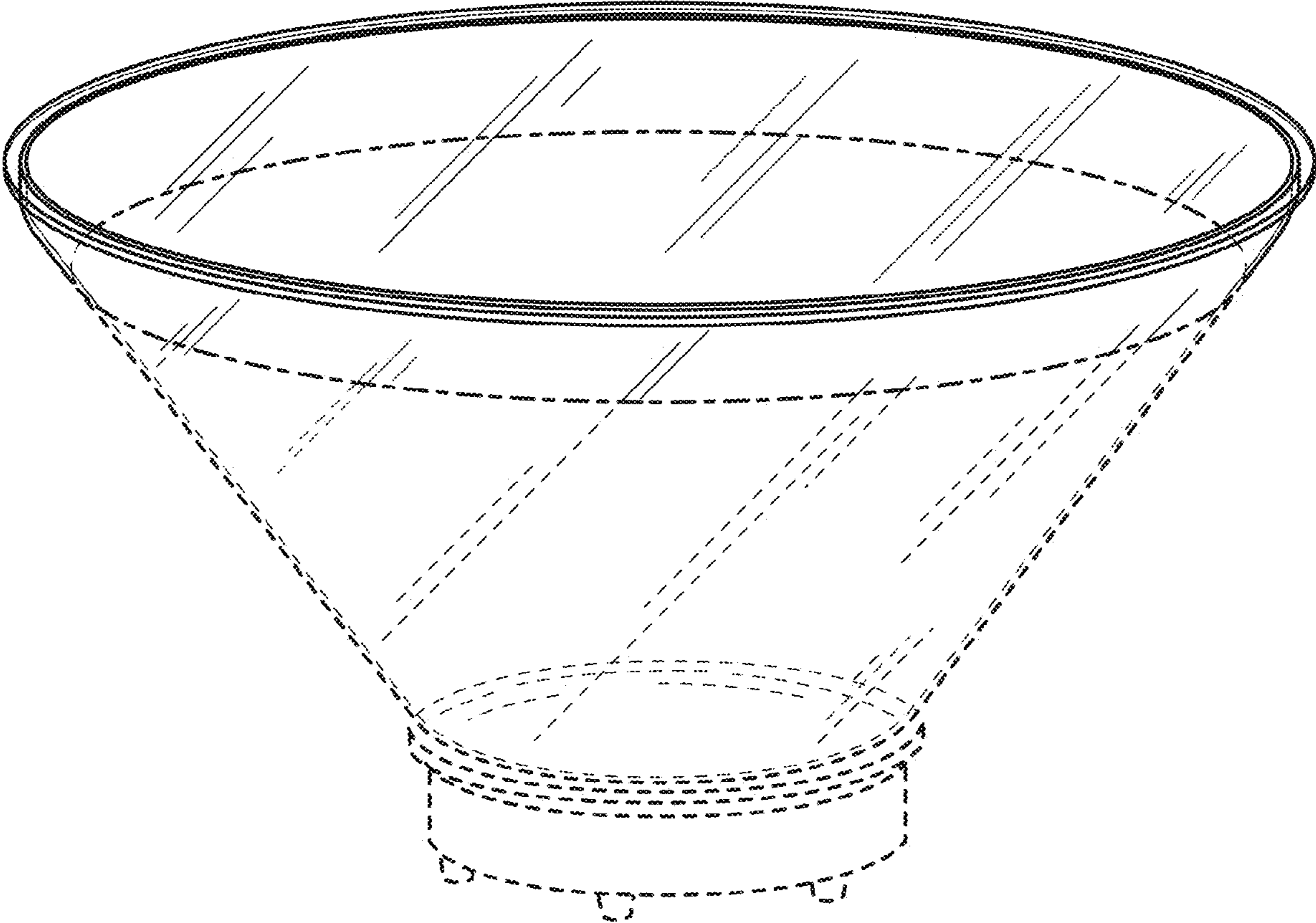


FIG. 1

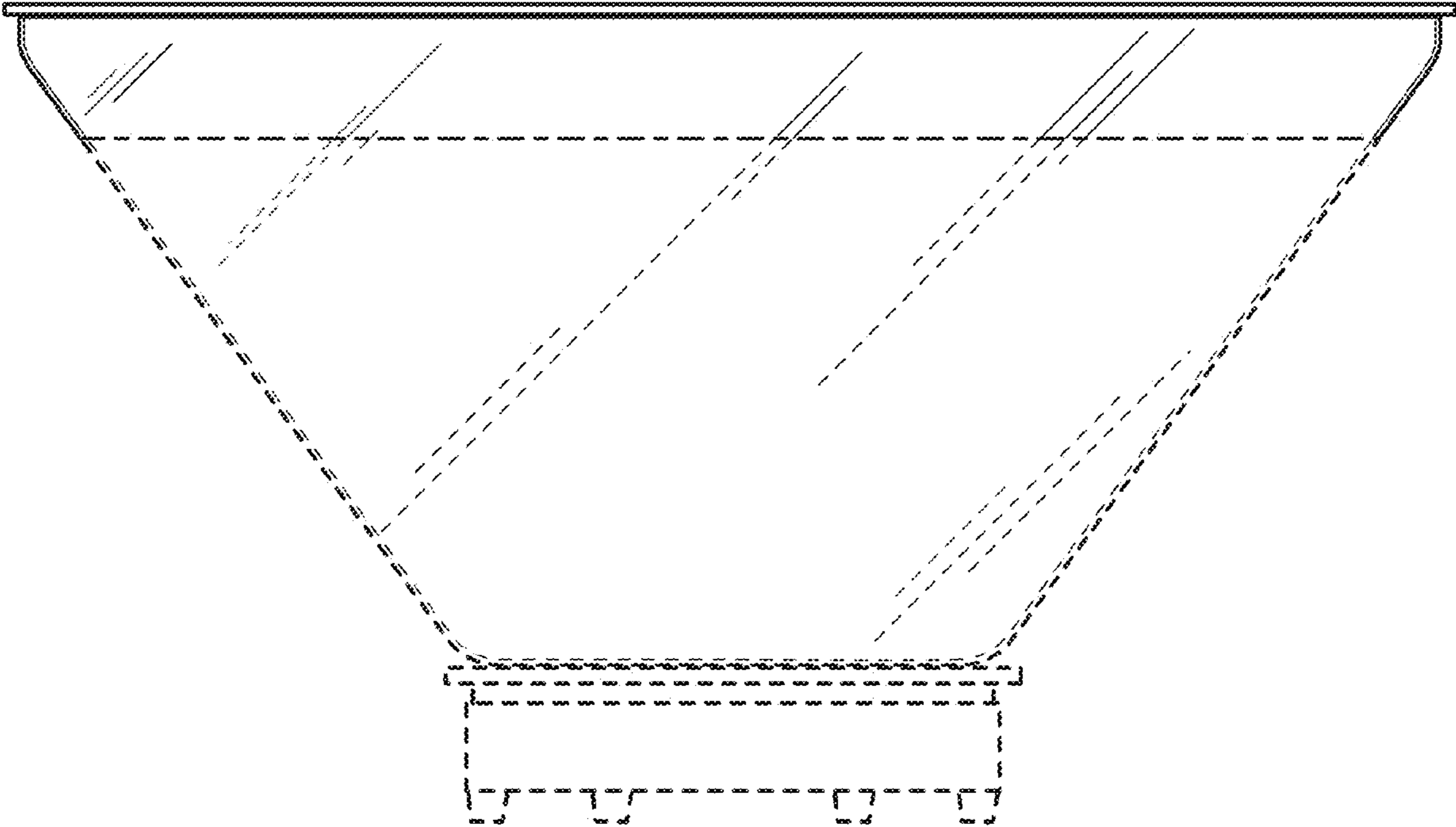


FIG. 2

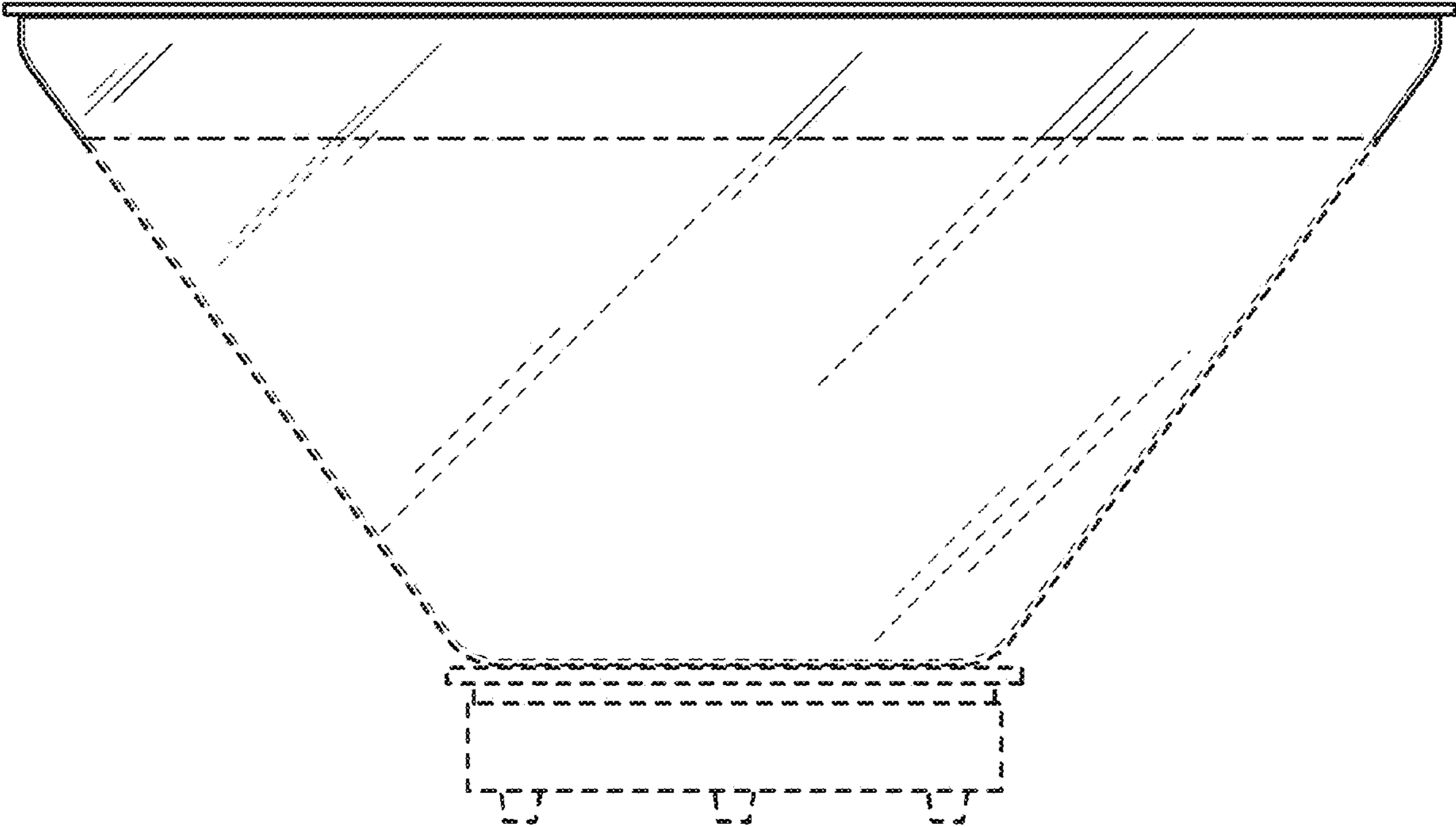


FIG. 3

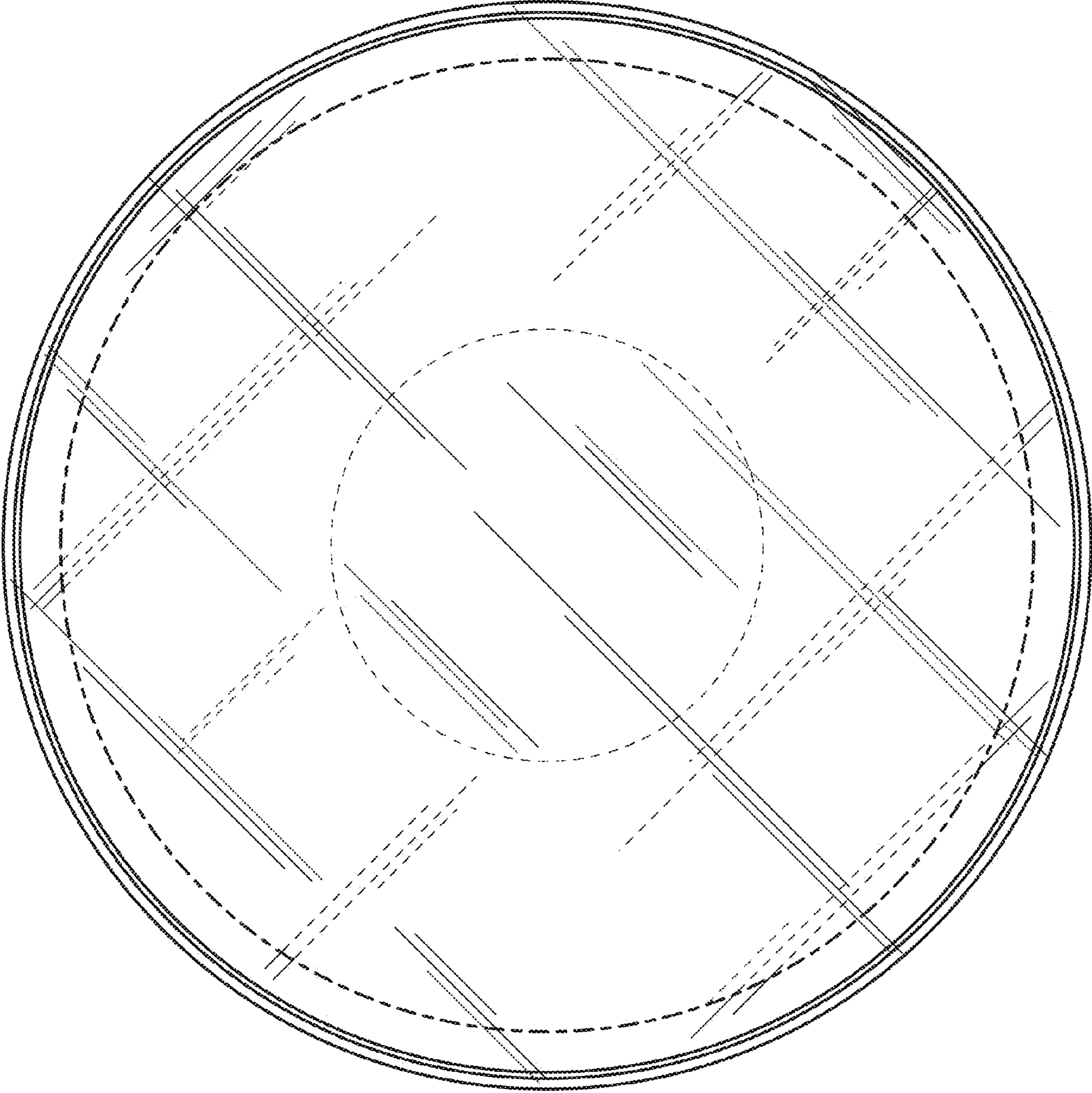


FIG. 4

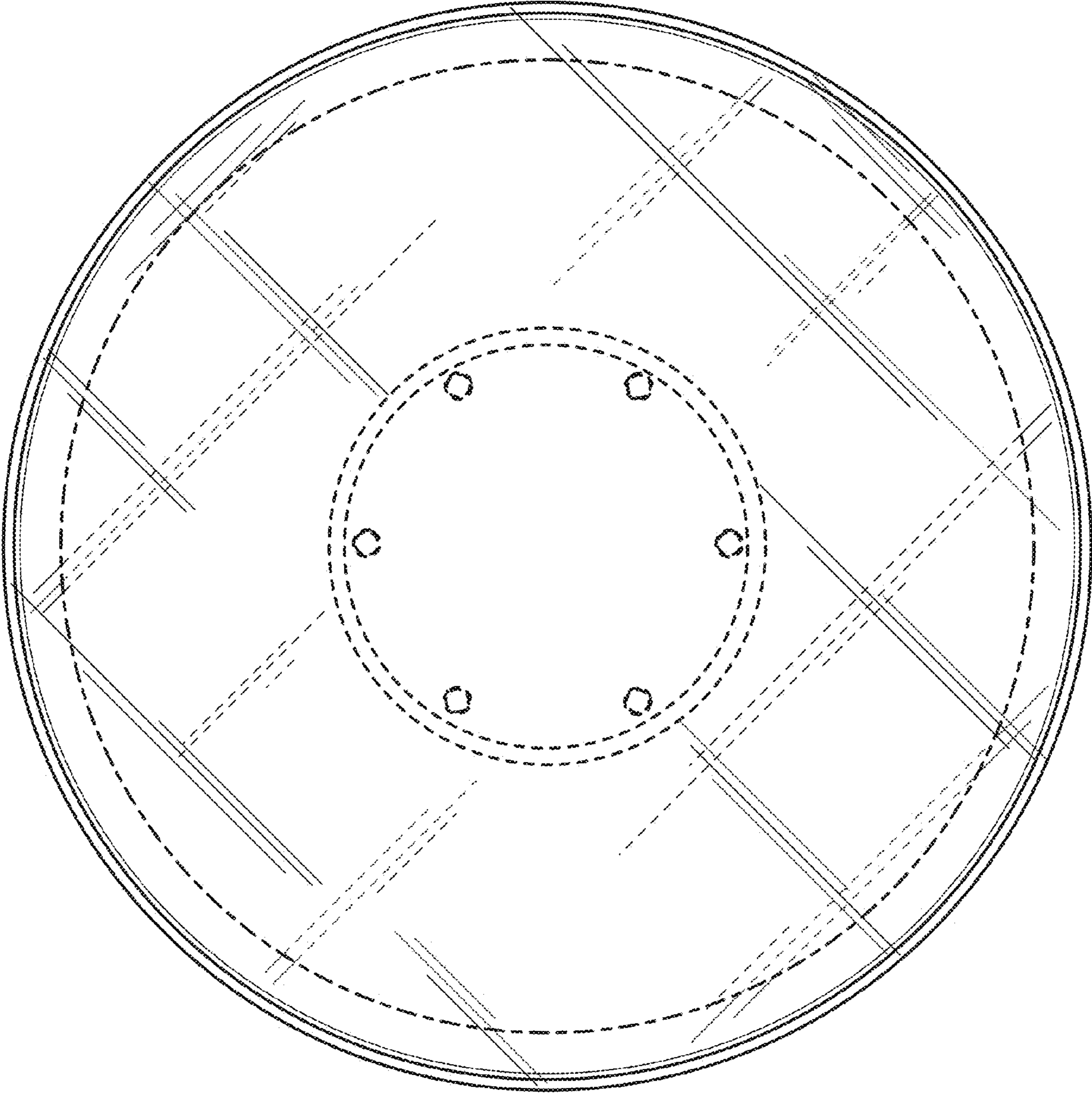


FIG. 5

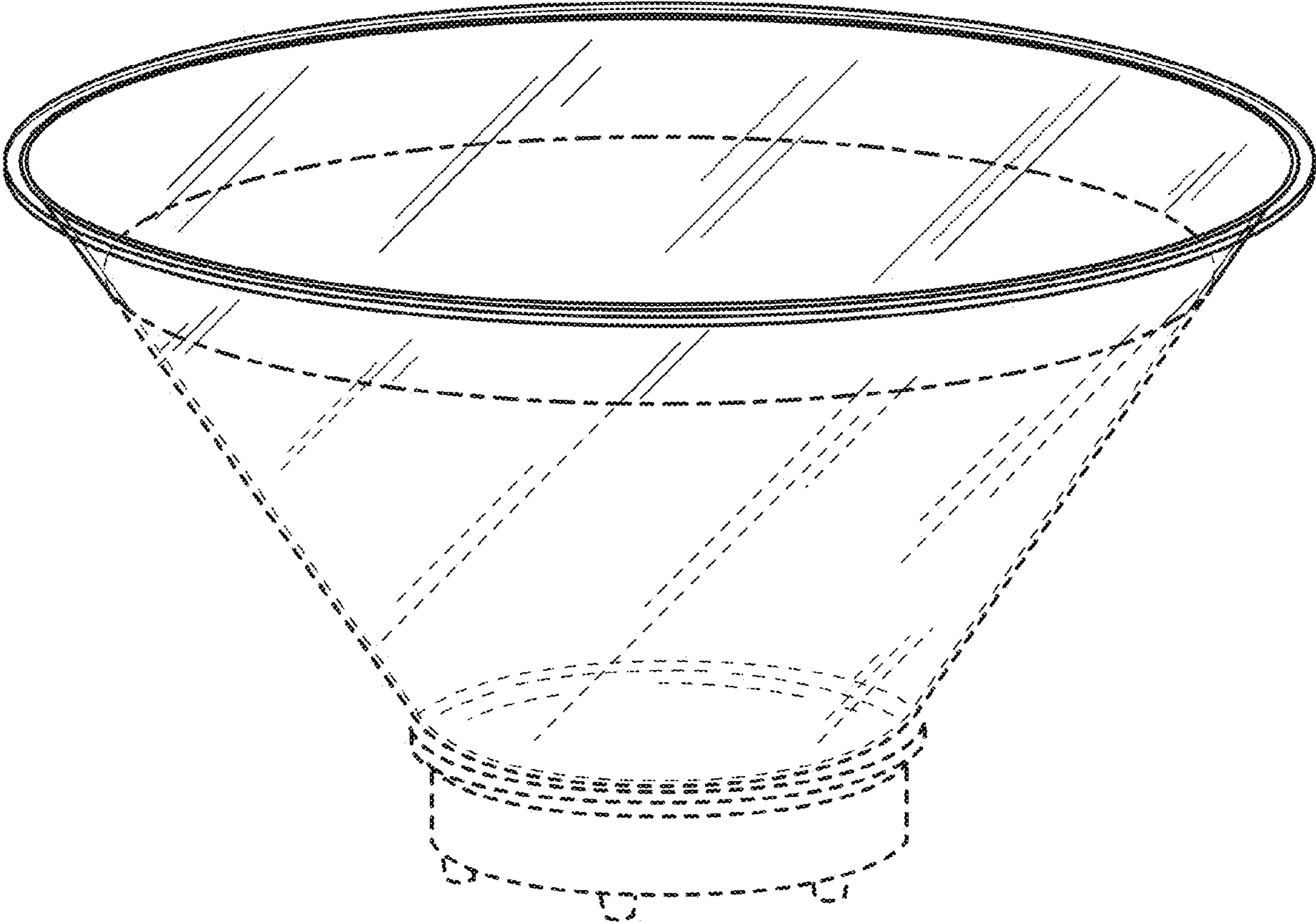


FIG. 6

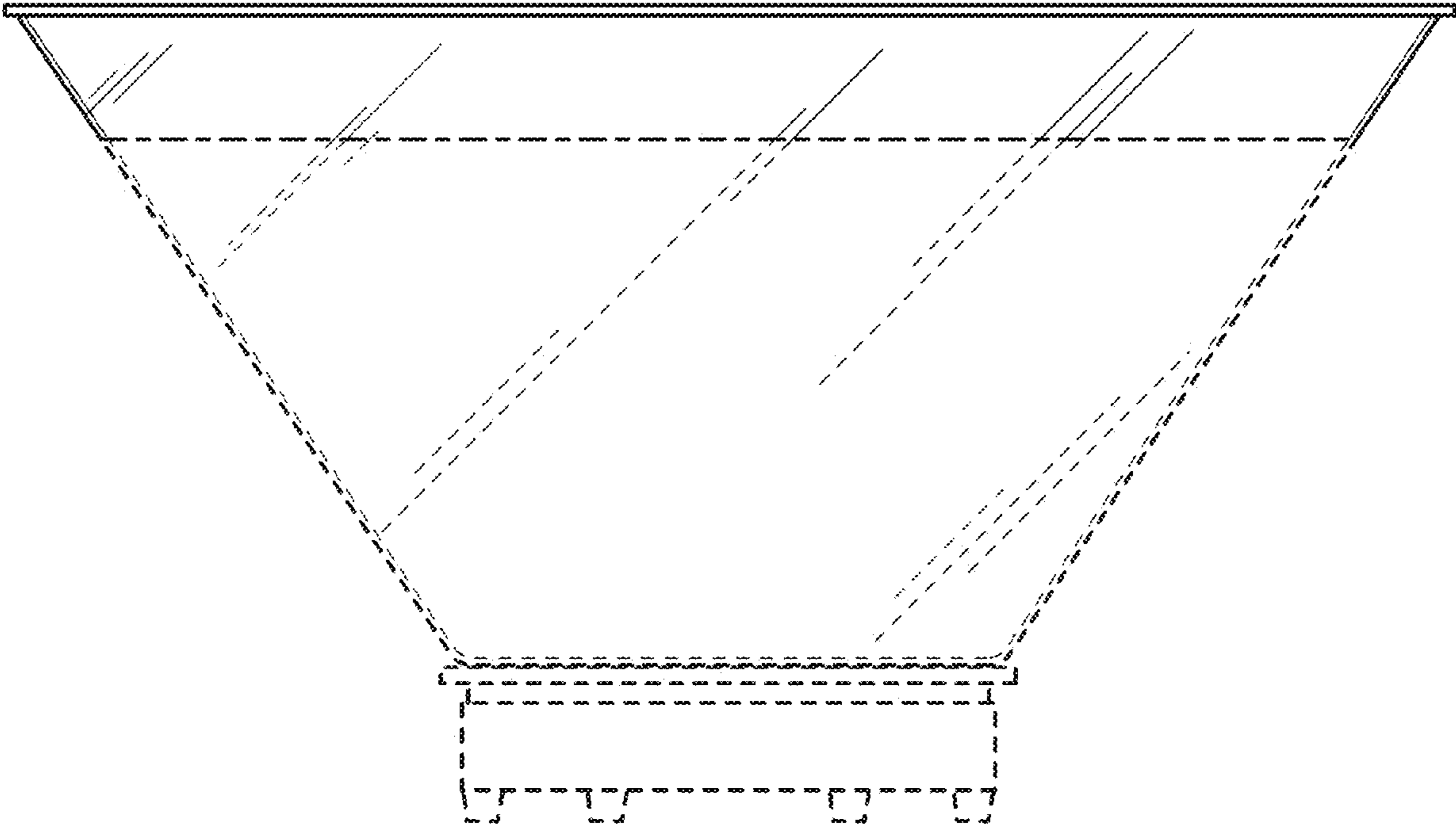


FIG. 7

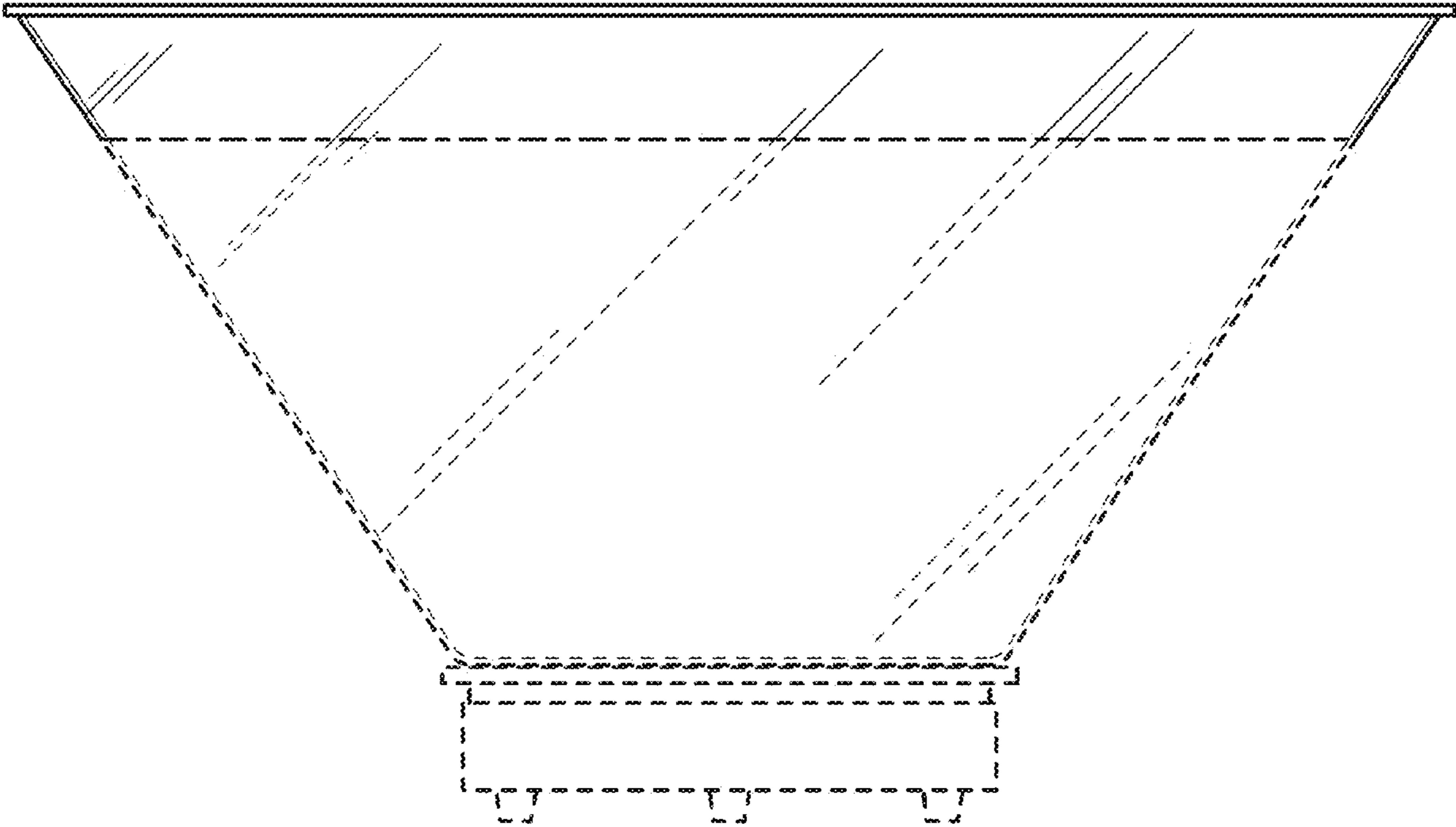


FIG. 8

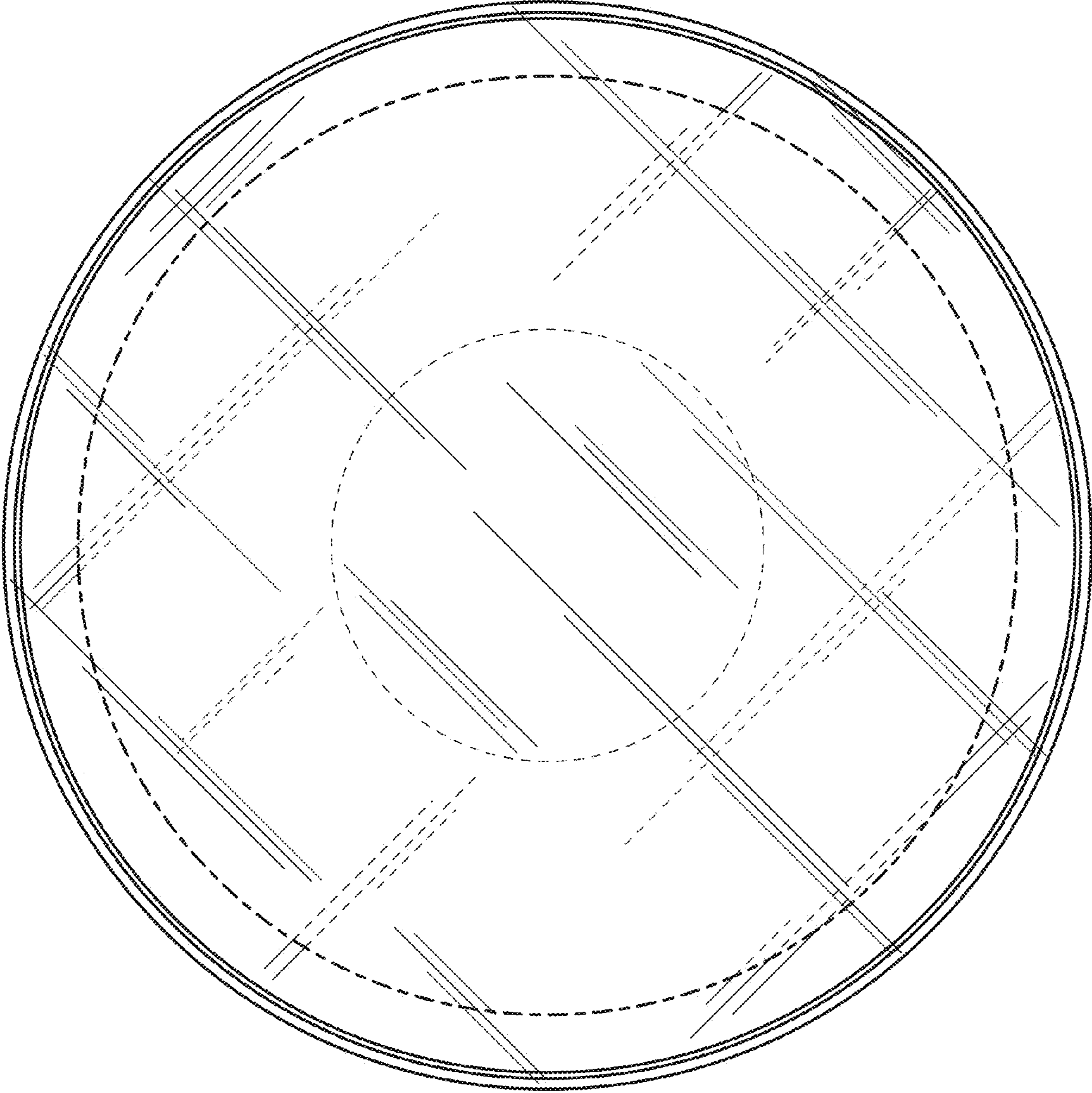


FIG. 9

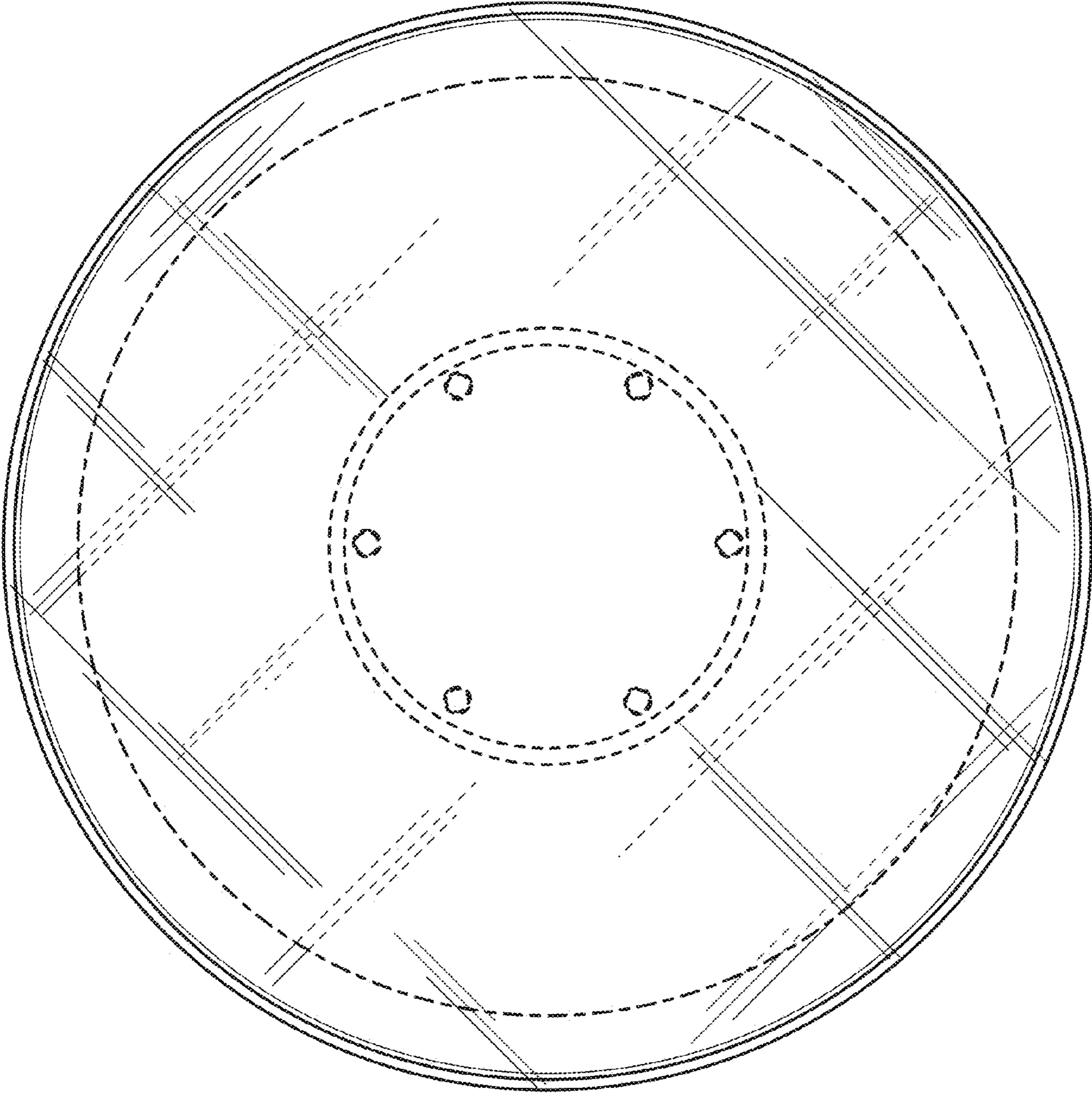


FIG. 10