



US00D879183S

(12) **United States Design Patent**  
**Li**

(10) **Patent No.:** **US D879,183 S**

(45) **Date of Patent:** **\*\* Mar. 24, 2020**

(54) **PROJECTOR**

(71) Applicant: **Shenzhen Dream Ship E-Commerce Partnership, Shenzhen (CN)**

(72) Inventor: **Ling Li, Shenzhen (CN)**

(\*\*) Term: **15 Years**

(21) Appl. No.: **29/663,488**

(22) Filed: **Sep. 17, 2018**

(51) **LOC (12) Cl.** ..... **16-02**

(52) **U.S. Cl.**  
USPC ..... **D16/230**

(58) **Field of Classification Search**  
USPC ..... D16/221, 225, 230-231; D21/514;  
363/115, 119  
CPC ..... G03B 21/145; G03B 21/14; G03B 21/00;  
G03B 21/001; G03B 21/003; G03B  
21/12; G03B 21/16  
See application file for complete search history.

(56) **References Cited**

**U.S. PATENT DOCUMENTS**

D502,486 S \* 3/2005 Kawasaki ..... D16/230  
7,090,360 B2 \* 8/2006 Kuroda ..... G03B 21/142  
353/119  
D545,862 S \* 7/2007 Kawasaki ..... D16/221  
D755,275 S \* 5/2016 Lee ..... D16/230

D755,276 S \* 5/2016 Lee ..... D16/230  
2006/0244933 A1 \* 11/2006 Kuroda ..... G03B 21/142  
353/119  
2006/0279715 A1 \* 12/2006 Okoshi ..... G03B 21/22  
353/119

\* cited by examiner

*Primary Examiner* — Wan Laymon

(74) *Attorney, Agent, or Firm* — Prakash Nama; Global IP Services, PLLC

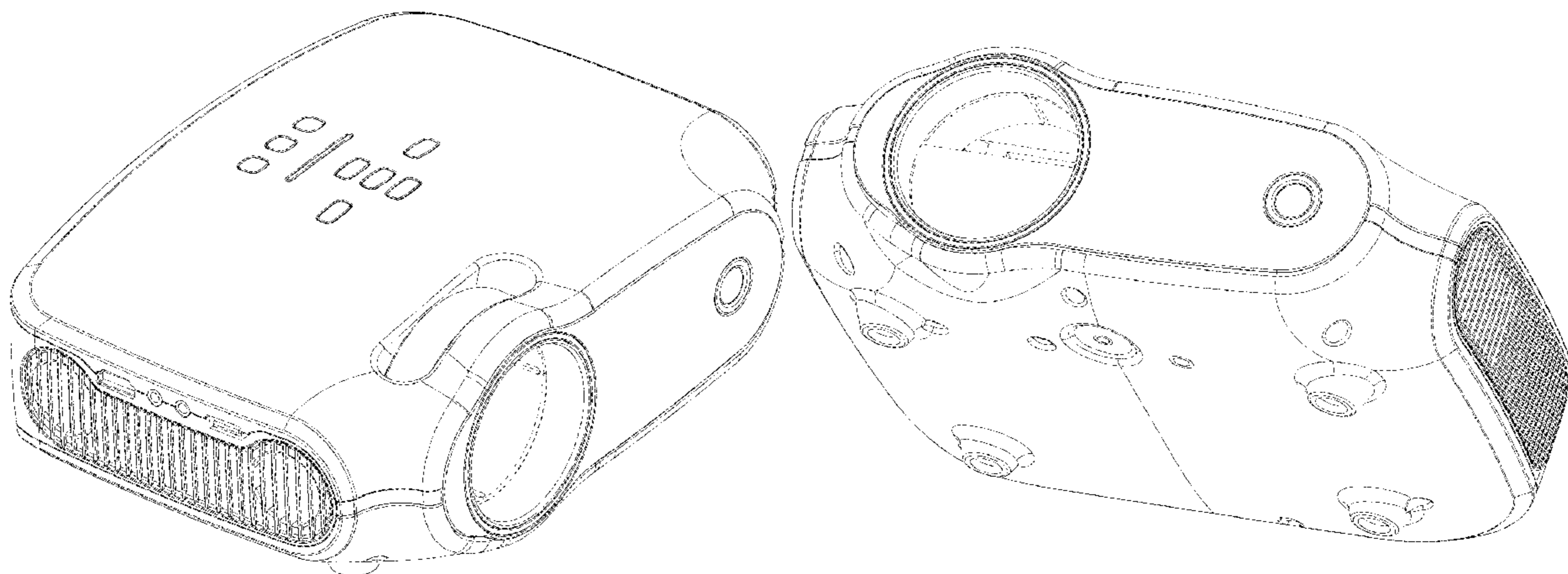
(57) **CLAIM**

The ornamental design for a projector, as shown and described.

**DESCRIPTION**

FIG. 1 is a front elevational view of a projector showing my new design;  
FIG. 2 is a rear elevational view thereof;  
FIG. 3 is a left side view thereof;  
FIG. 4 is a right side view thereof;  
FIG. 5 is a top plan view thereof;  
FIG. 6 is a bottom plan view thereof;  
FIG. 7 is a perspective view thereof;  
FIG. 8 is a second perspective view thereof;  
FIG. 9 is a third perspective view thereof; and,  
FIG. 10 is a fourth perspective view thereof.  
The broken lines shown in projector form no part of the claimed design.

**1 Claim, 10 Drawing Sheets**



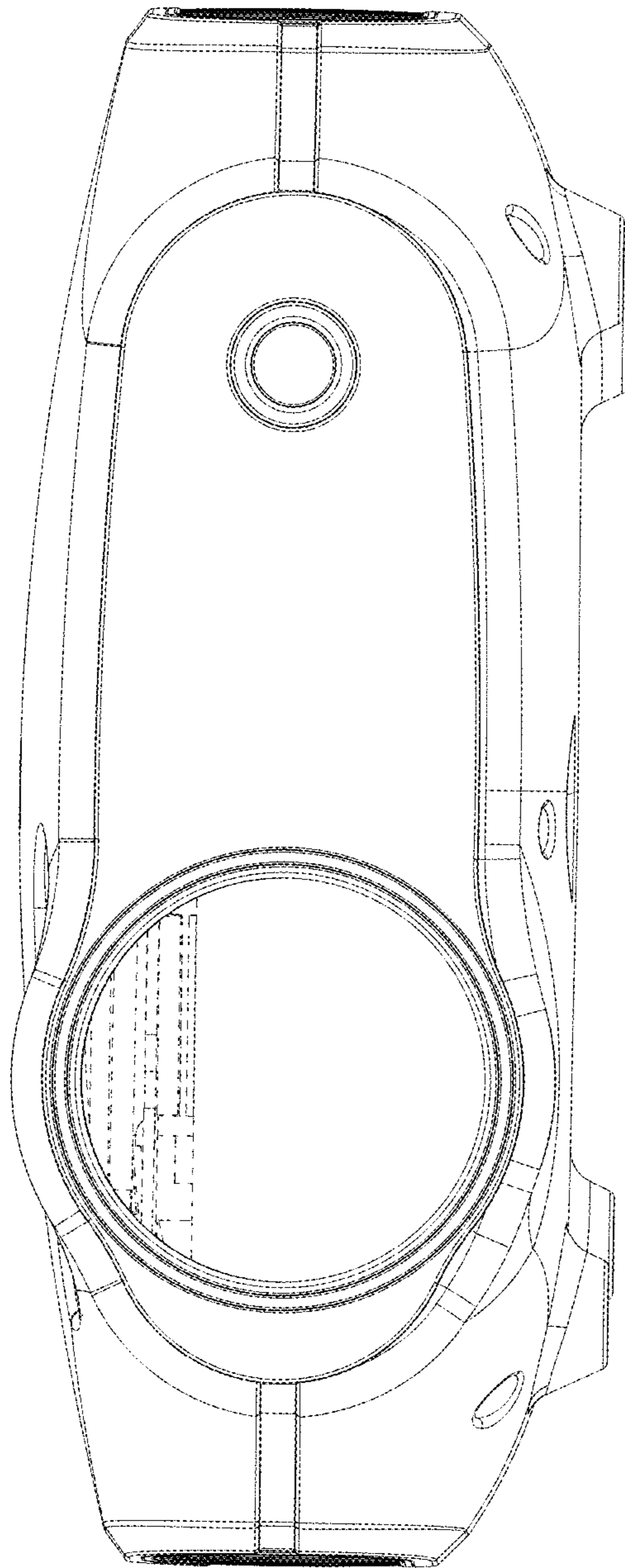


FIG. 1

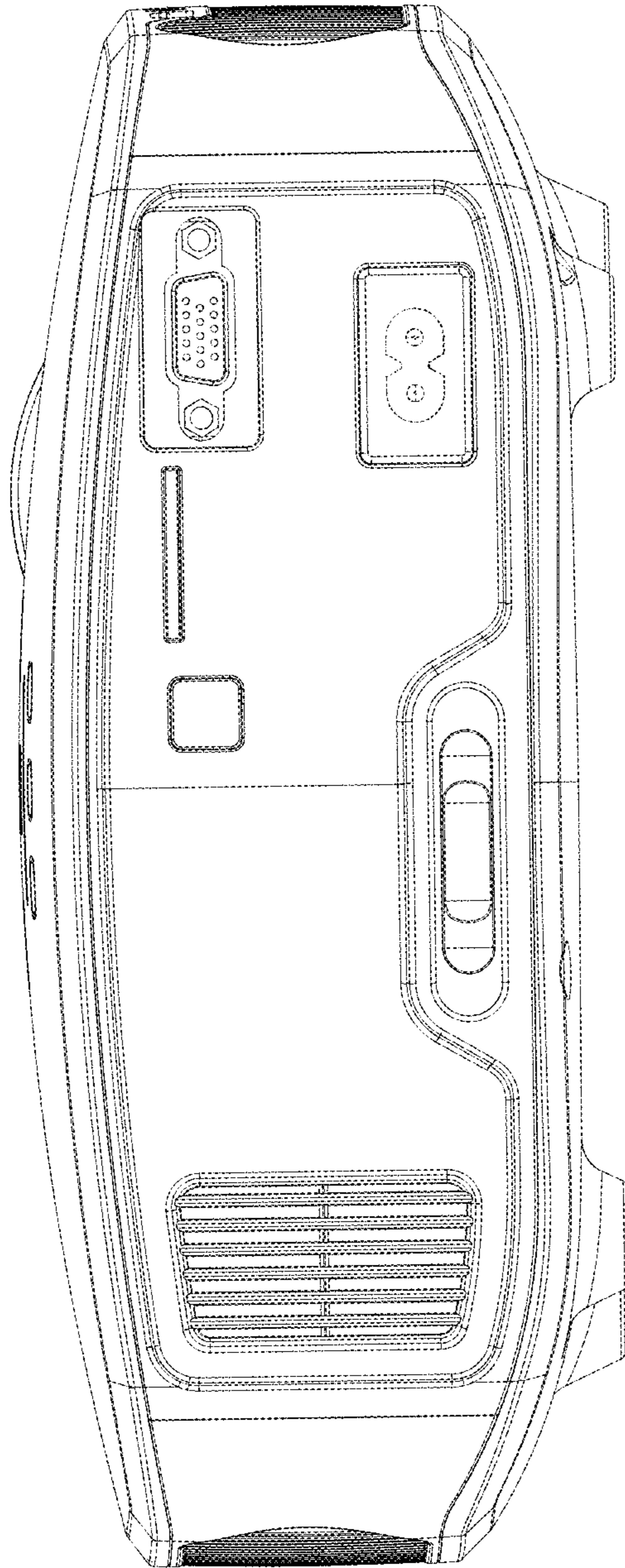


FIG. 2

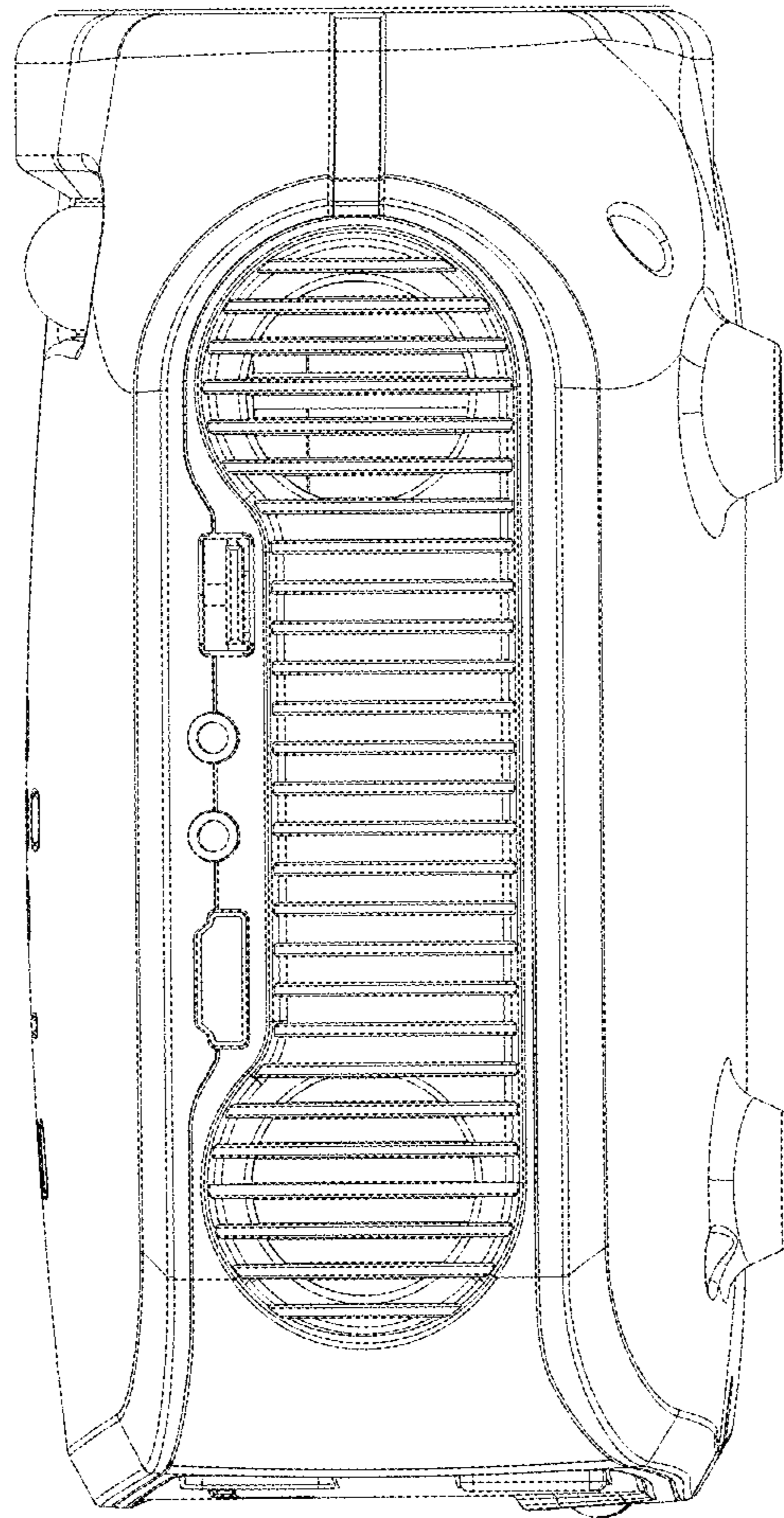


FIG. 3

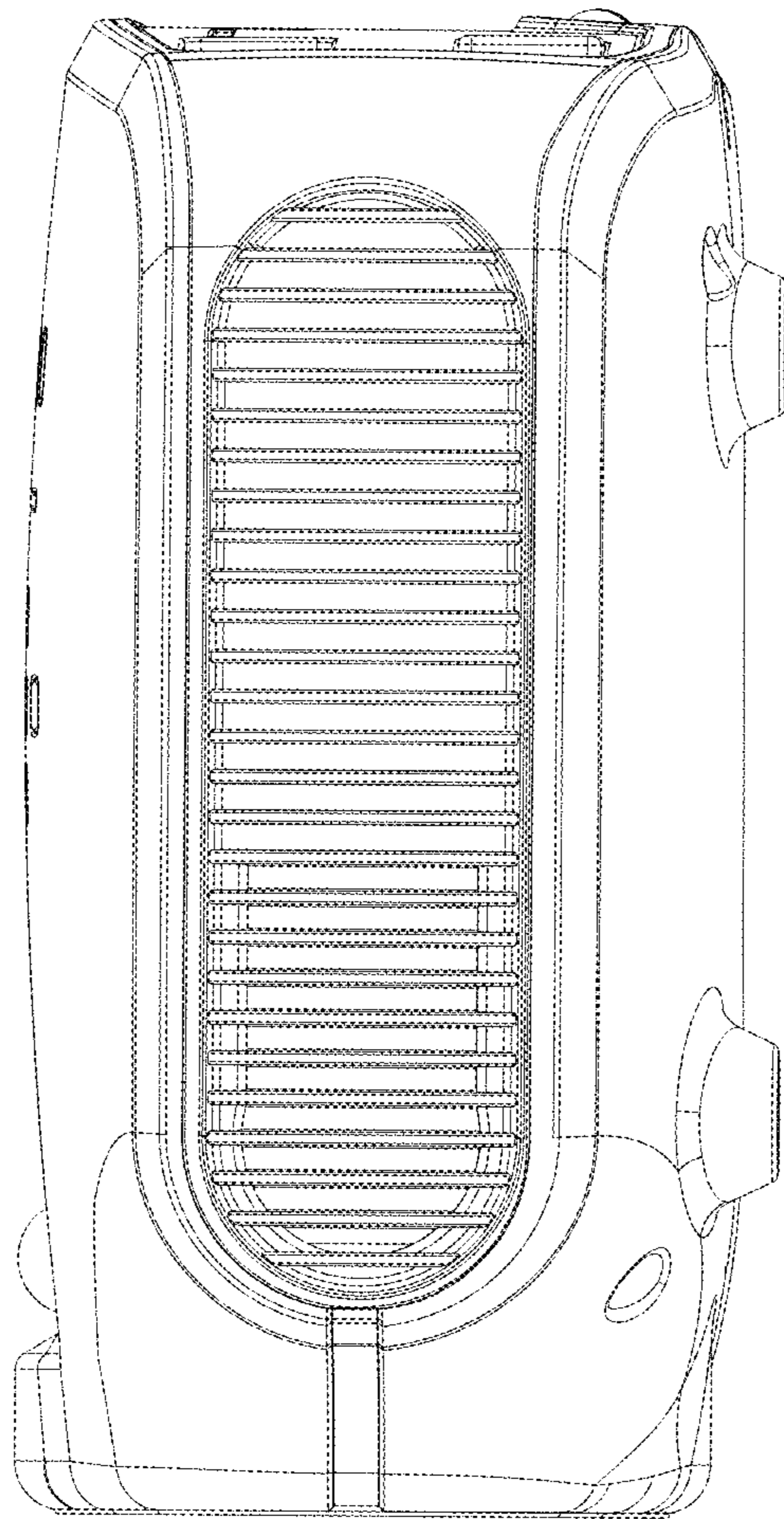


FIG. 4

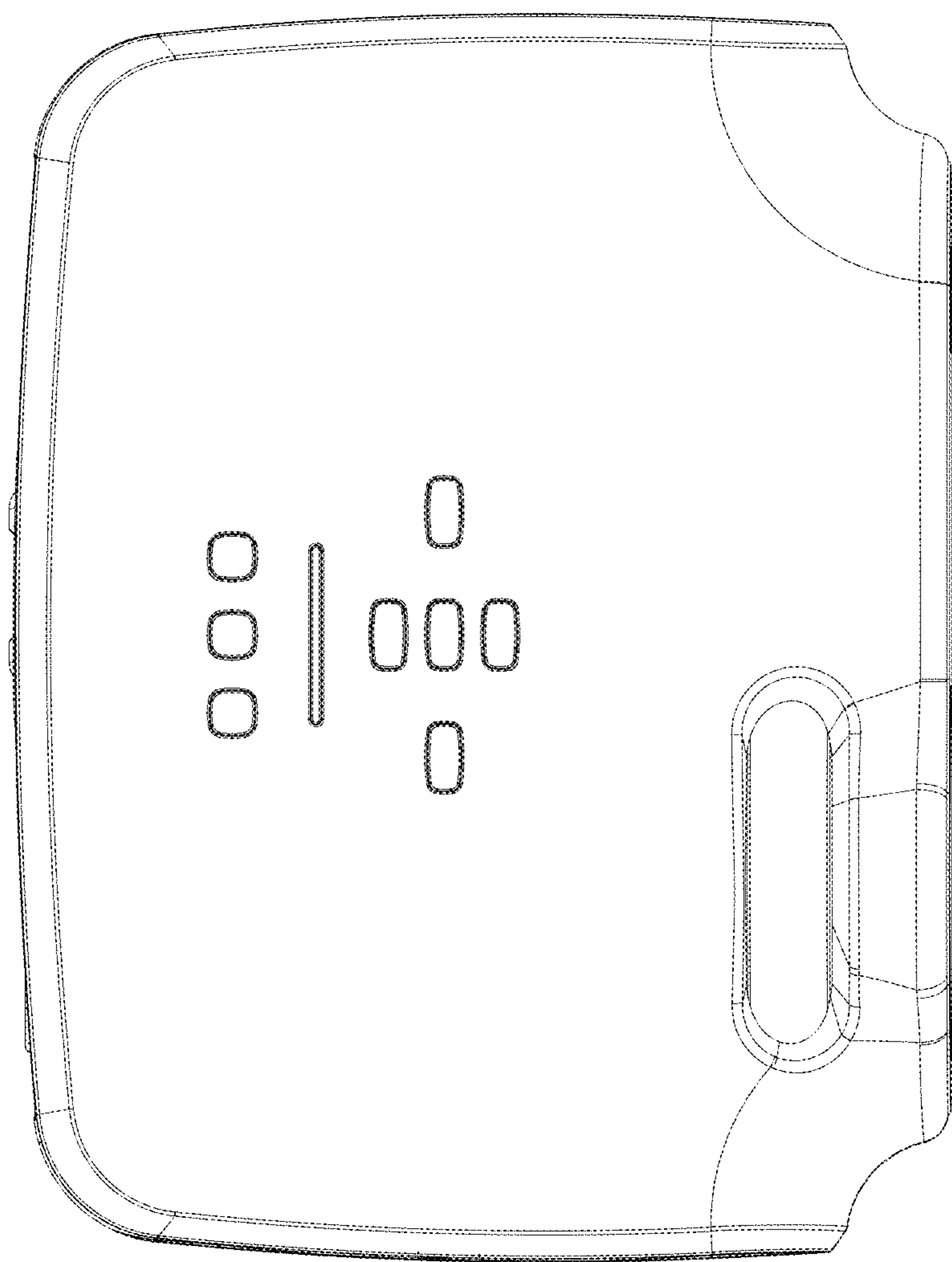


FIG. 5

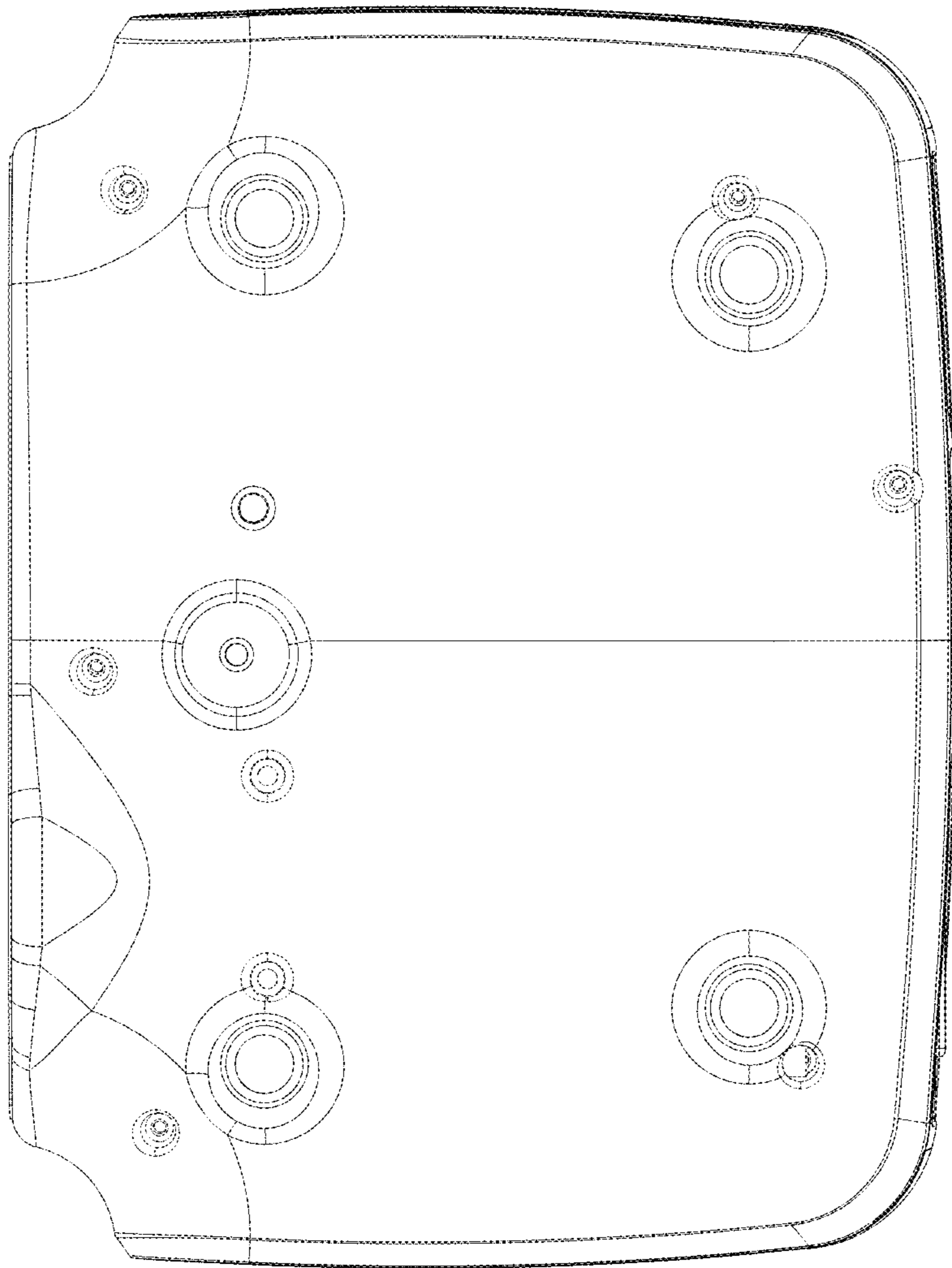


FIG. 6

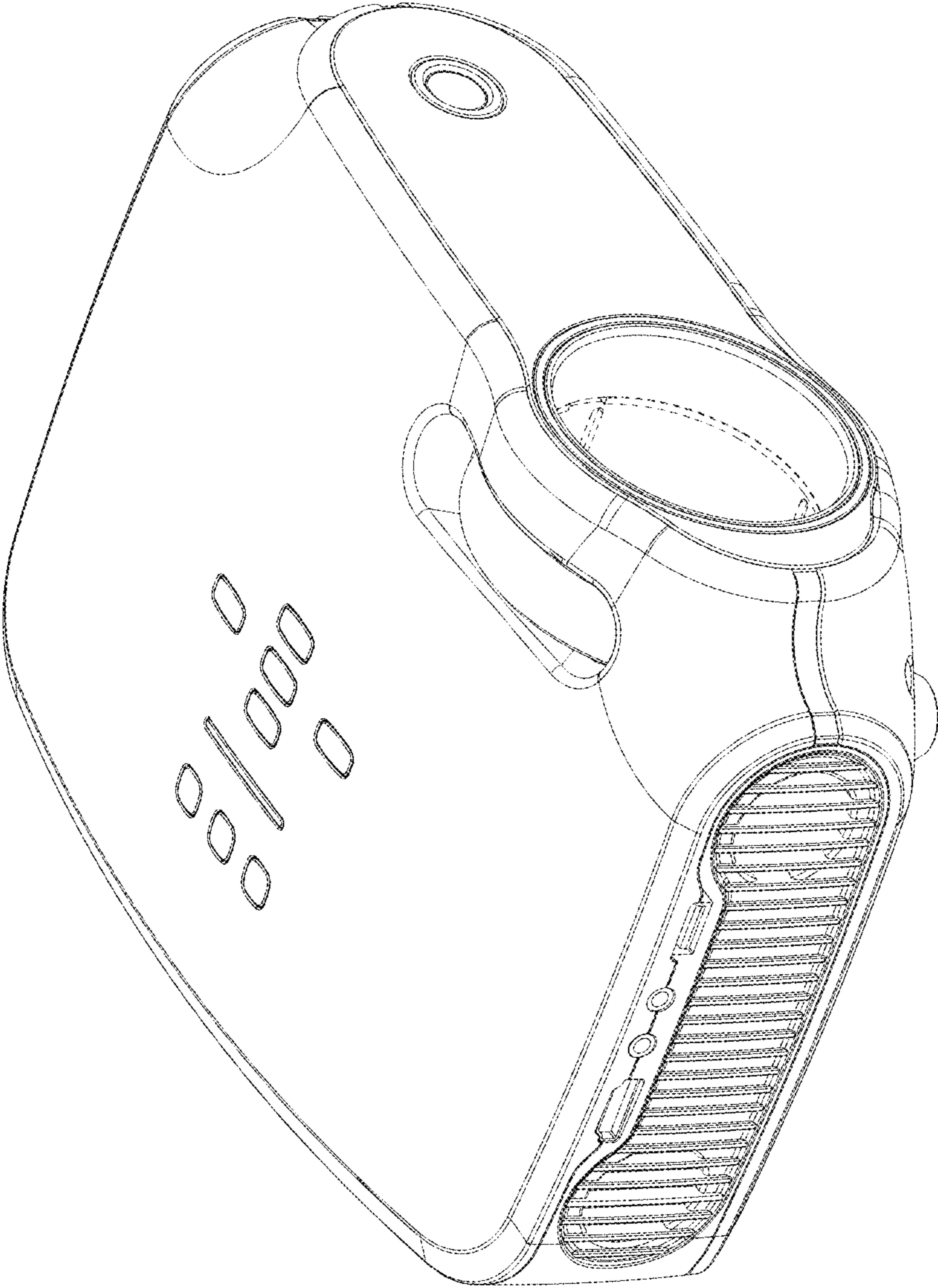


FIG. 7



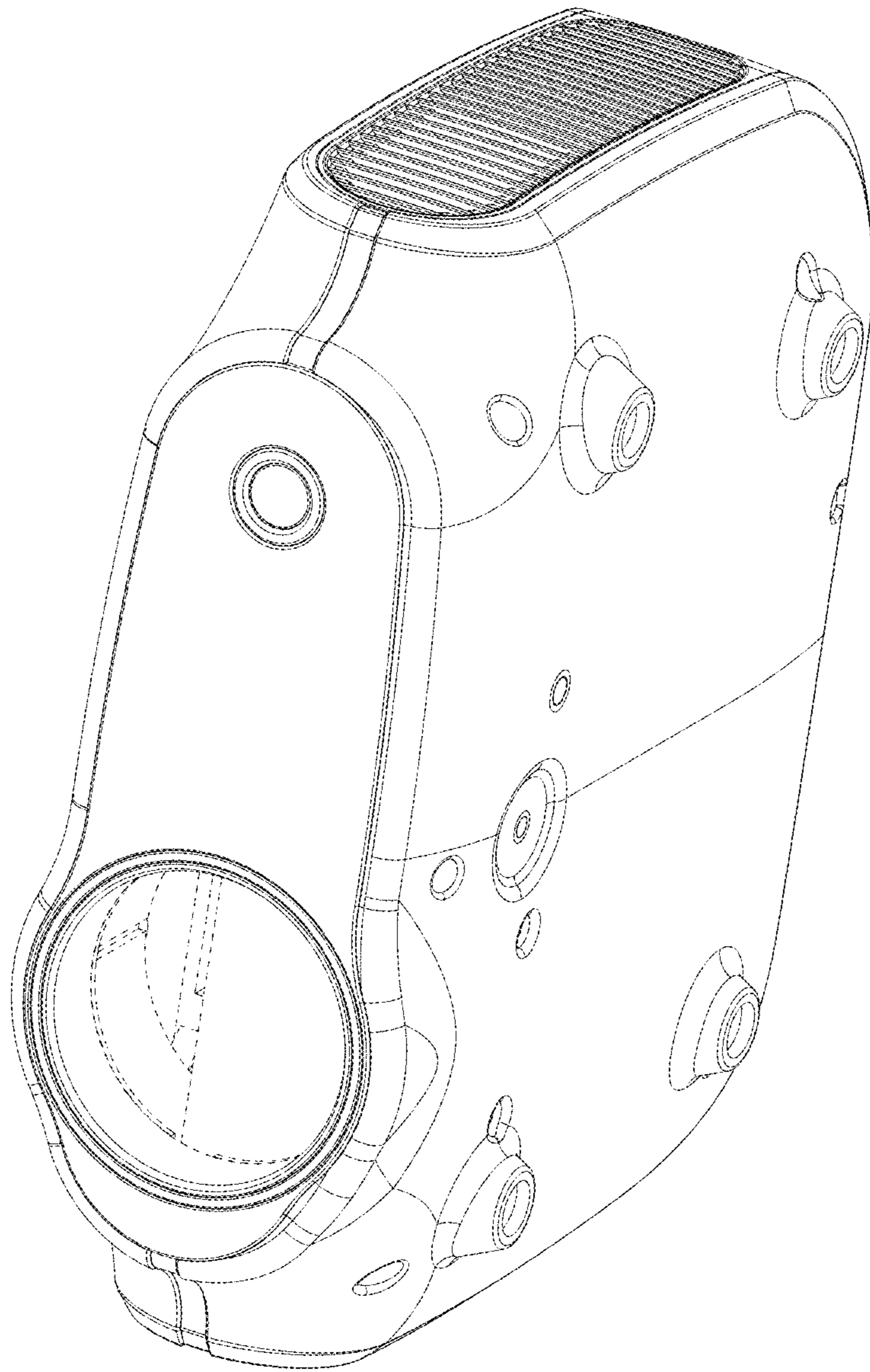


FIG. 8

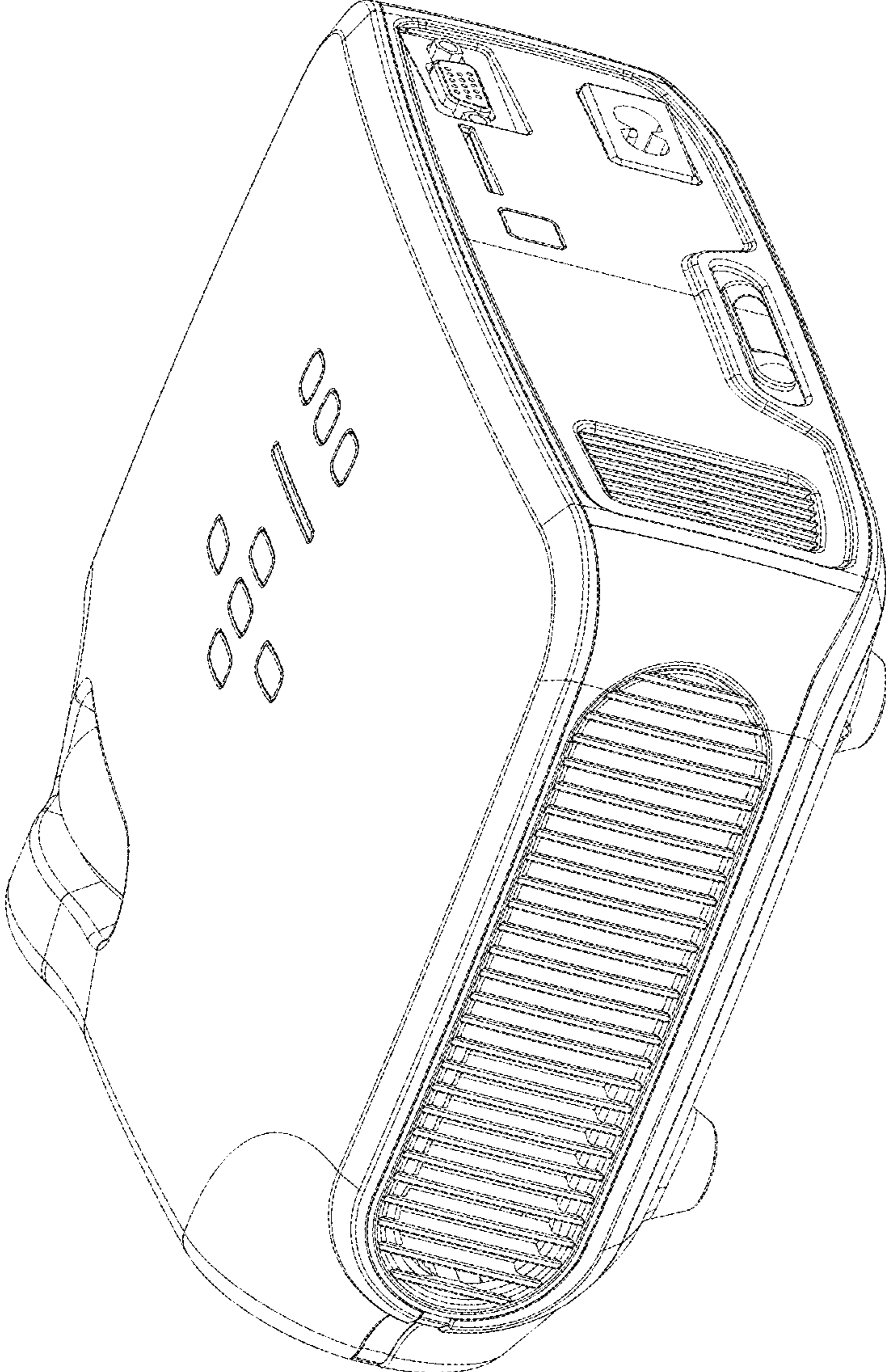


FIG. 9

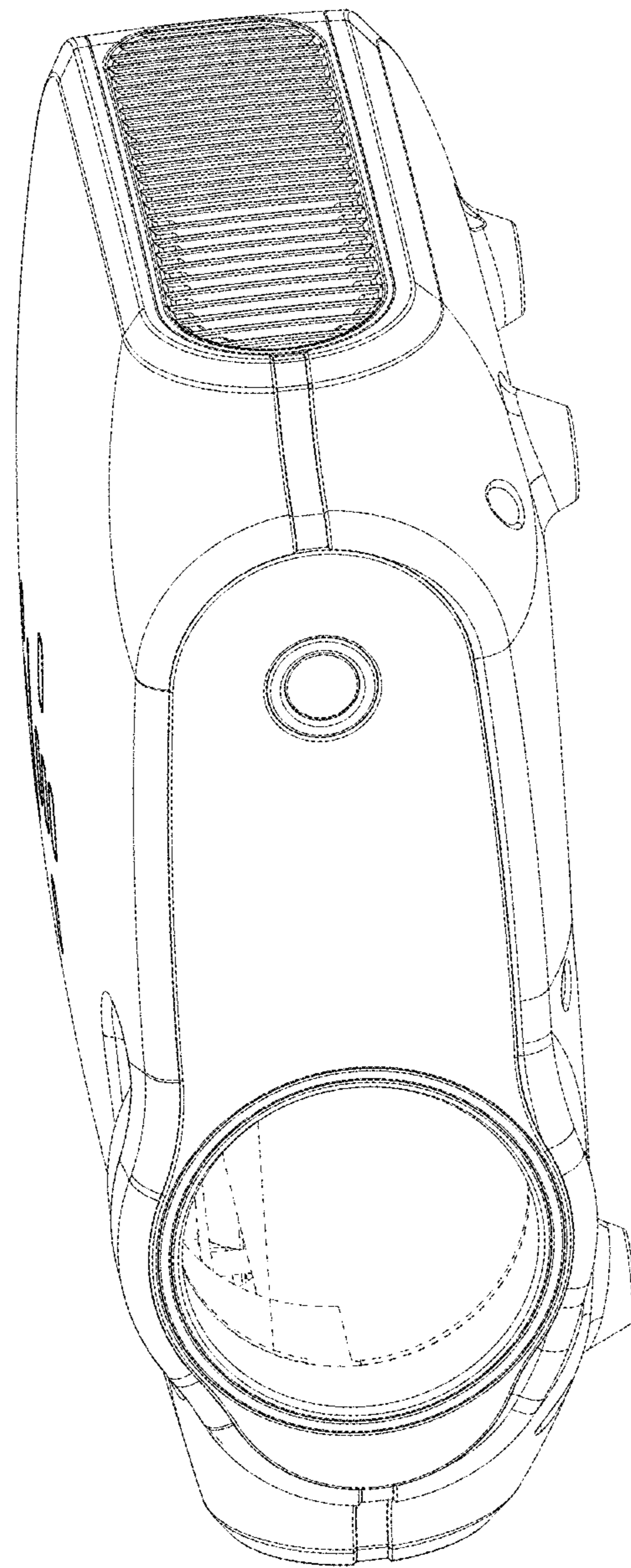


FIG. 10