



US00D879182S

(12) **United States Design Patent**
Deng

(10) **Patent No.:** **US D879,182 S**
(45) **Date of Patent:** **** Mar. 24, 2020**

(54) **PROJECTOR**

(71) Applicant: **Feiyue Deng**, Rong County, Sichuan Province (CN)

(72) Inventor: **Feiyue Deng**, Rong County, Sichuan Province (CN)

(**) Term: **15 Years**

(21) Appl. No.: **29/660,650**

(22) Filed: **Aug. 22, 2018**

(30) **Foreign Application Priority Data**

Jun. 21, 2018 (CN) 2018 3 0322172

(51) **LOC (12) Cl.** **16-02**

(52) **U.S. Cl.**
USPC **D16/230; D16/225**

(58) **Field of Classification Search**
USPC D16/221, 225, 230-231; D21/514;
363/115, 119
CPC G03B 21/145; G03B 21/14; G03B 21/00;
G03B 21/001; G03B 21/003; G03B
21/12; G03B 21/16
See application file for complete search history.

(56) **References Cited**

U.S. PATENT DOCUMENTS

D555,696 S * 11/2007 Naruki D16/225
D615,575 S * 5/2010 Inoue D16/225

D831,096 S * 10/2018 Gao D16/230
D831,727 S * 10/2018 Xu D16/225
D831,728 S * 10/2018 Xu D16/225
D850,516 S * 6/2019 Zhang D16/230

FOREIGN PATENT DOCUMENTS

CN 304986859 * 9/2018

* cited by examiner

Primary Examiner — Wan Laymon

(74) *Attorney, Agent, or Firm* — Bay State IP, LLC

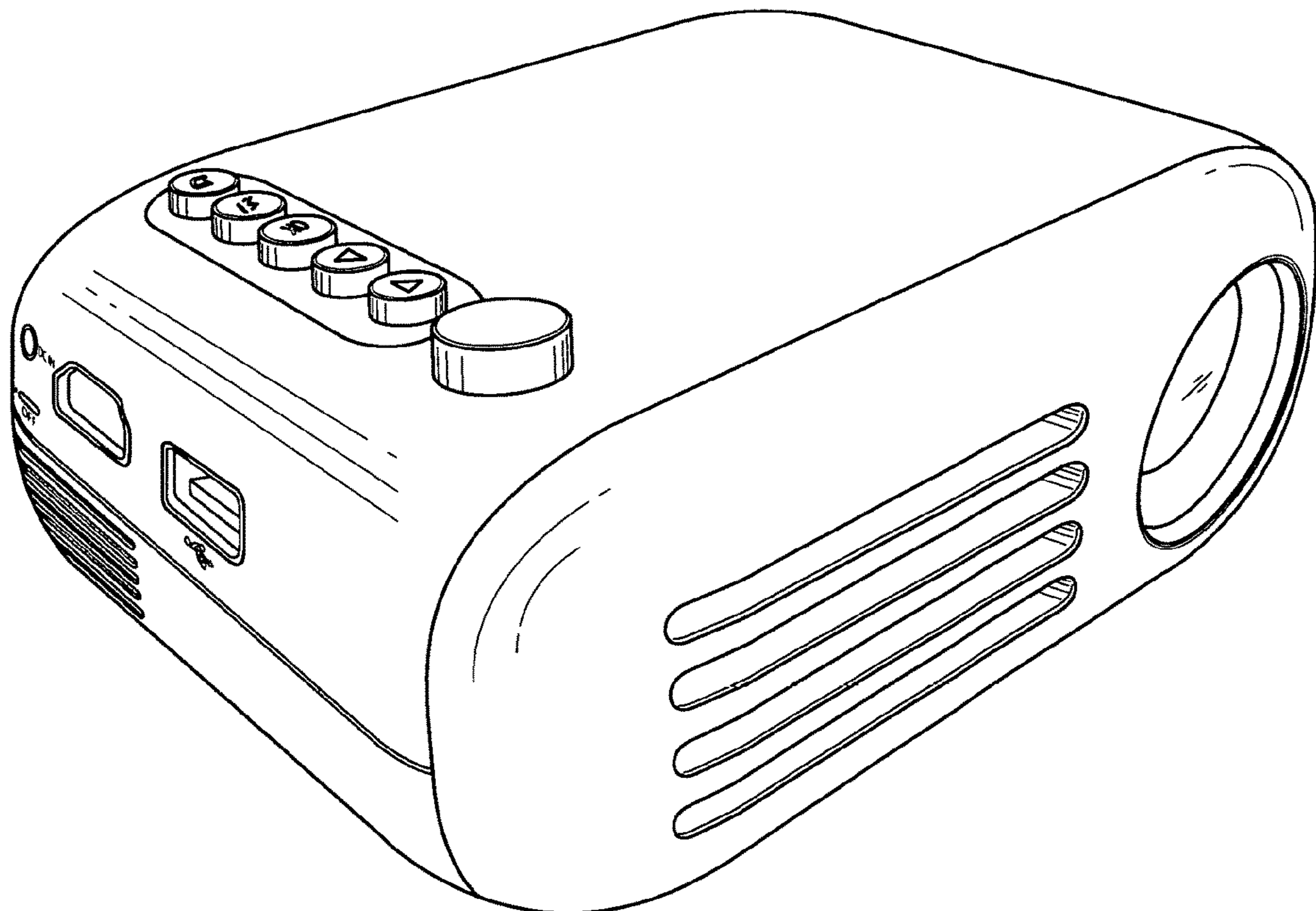
(57) **CLAIM**

The ornamental design for a projector, as shown and described.

DESCRIPTION

FIG. 1 is a front perspective view of the projector showing my new design;
FIG. 2 is a top perspective view thereof;
FIG. 3 is a front view thereof;
FIG. 4 is a back view thereof;
FIG. 5 is a top view thereof;
FIG. 6 is a bottom view thereof;
FIG. 7 is a left side view thereof; and,
FIG. 8 is a right side view thereof.

1 Claim, 5 Drawing Sheets



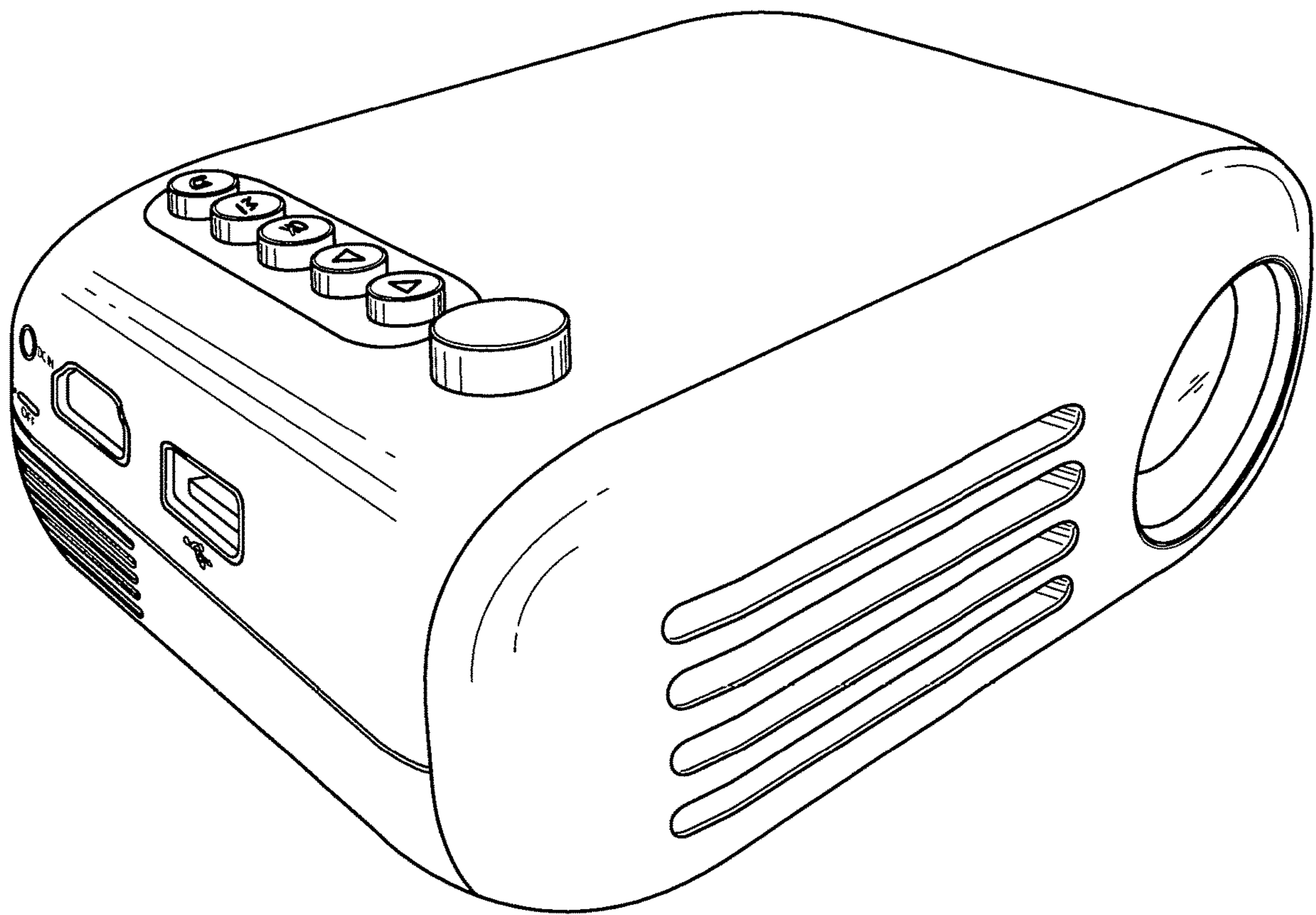


Fig. 1

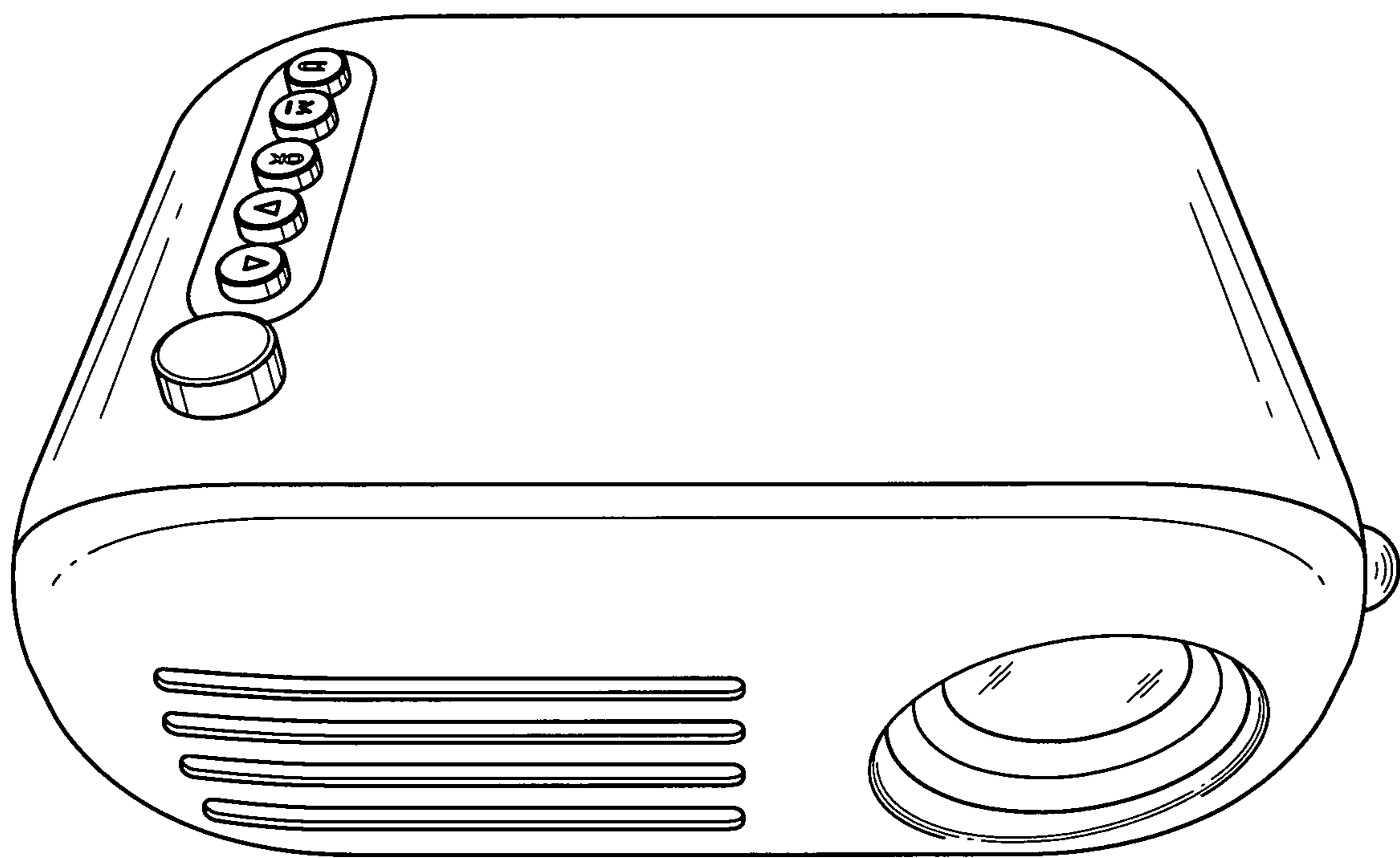


Fig. 2

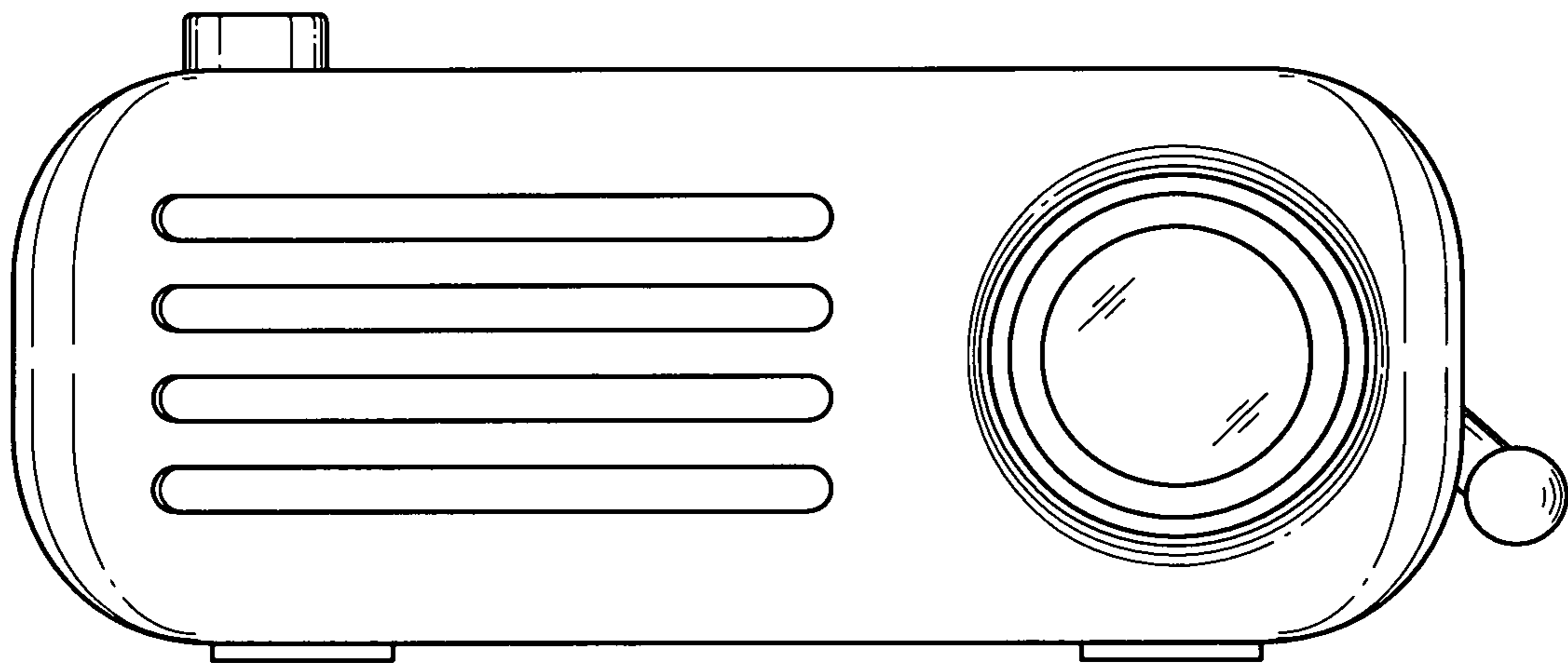


Fig. 3

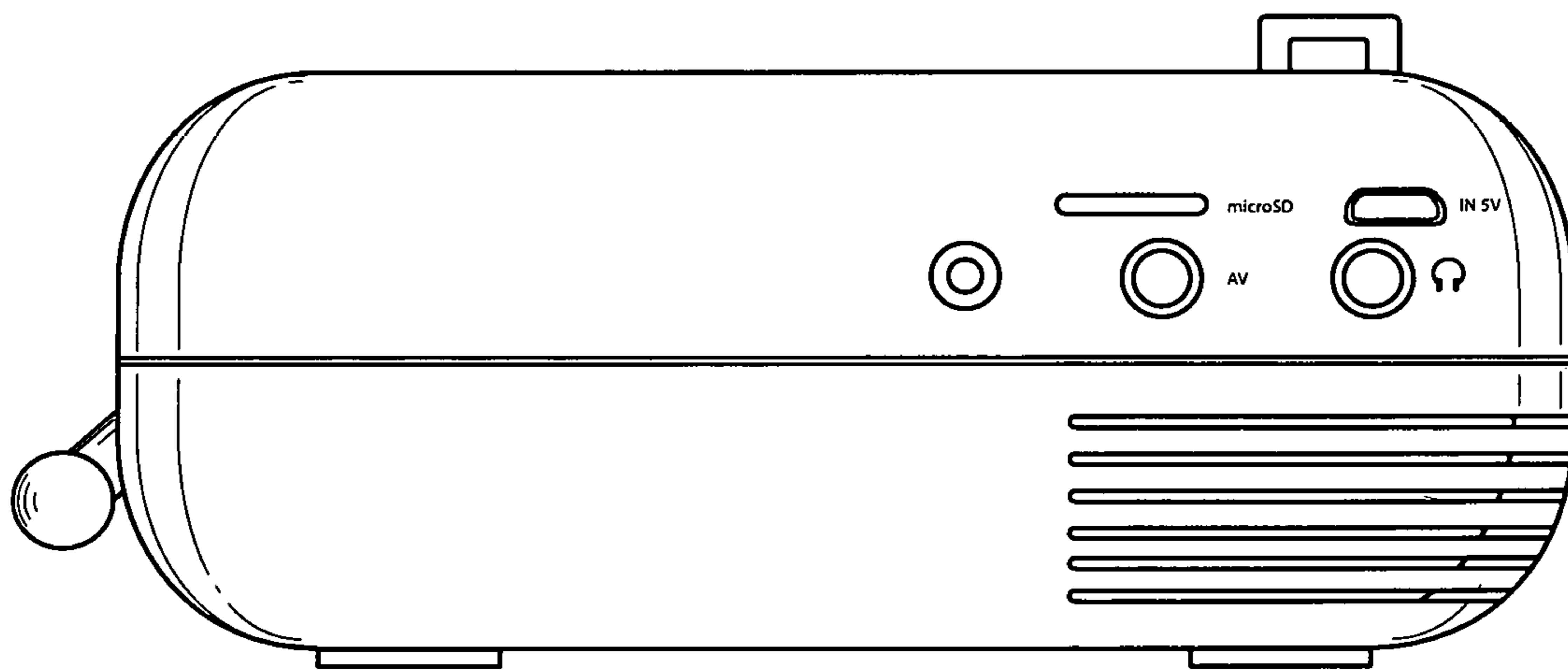


Fig. 4

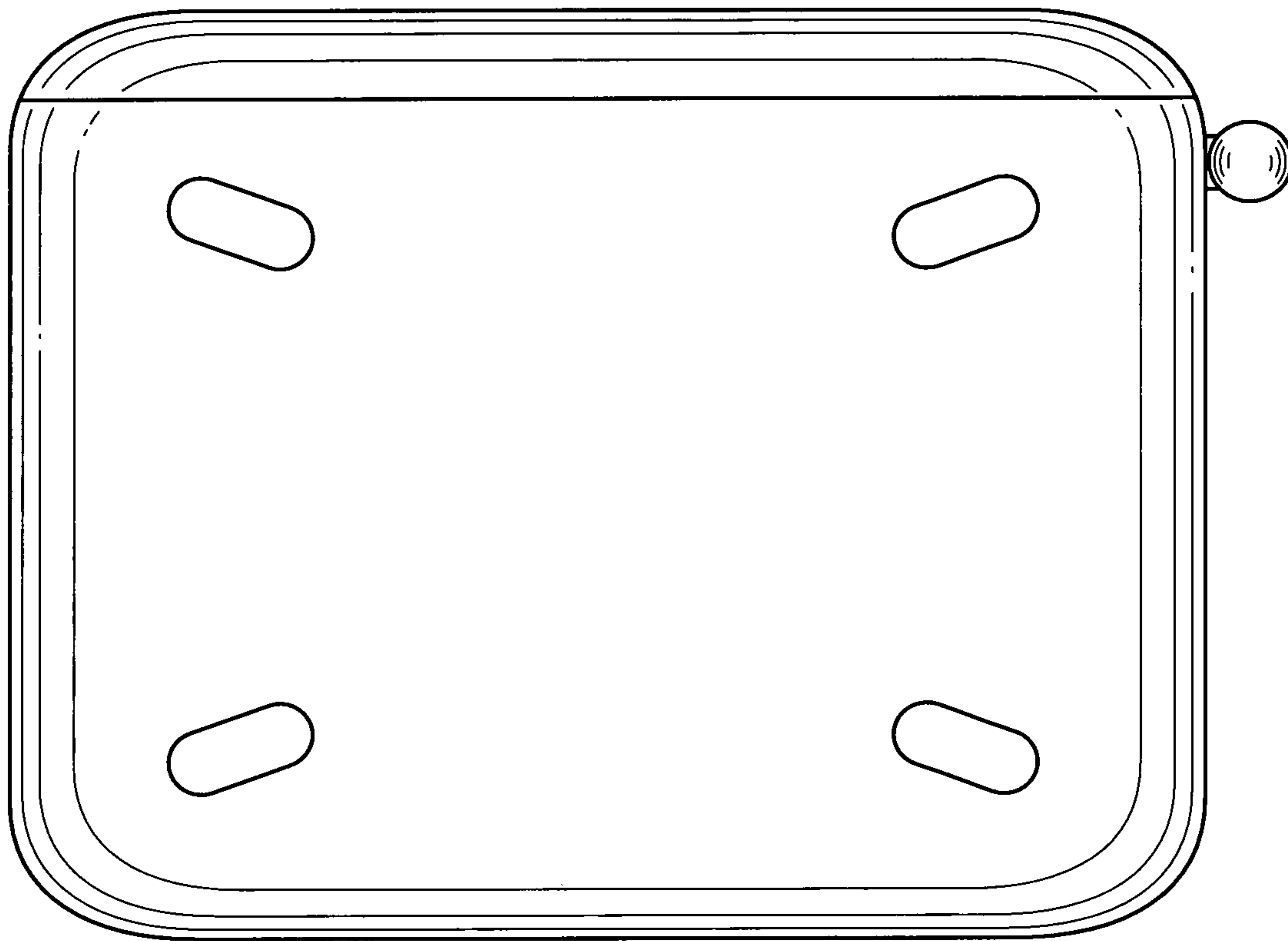


Fig. 5

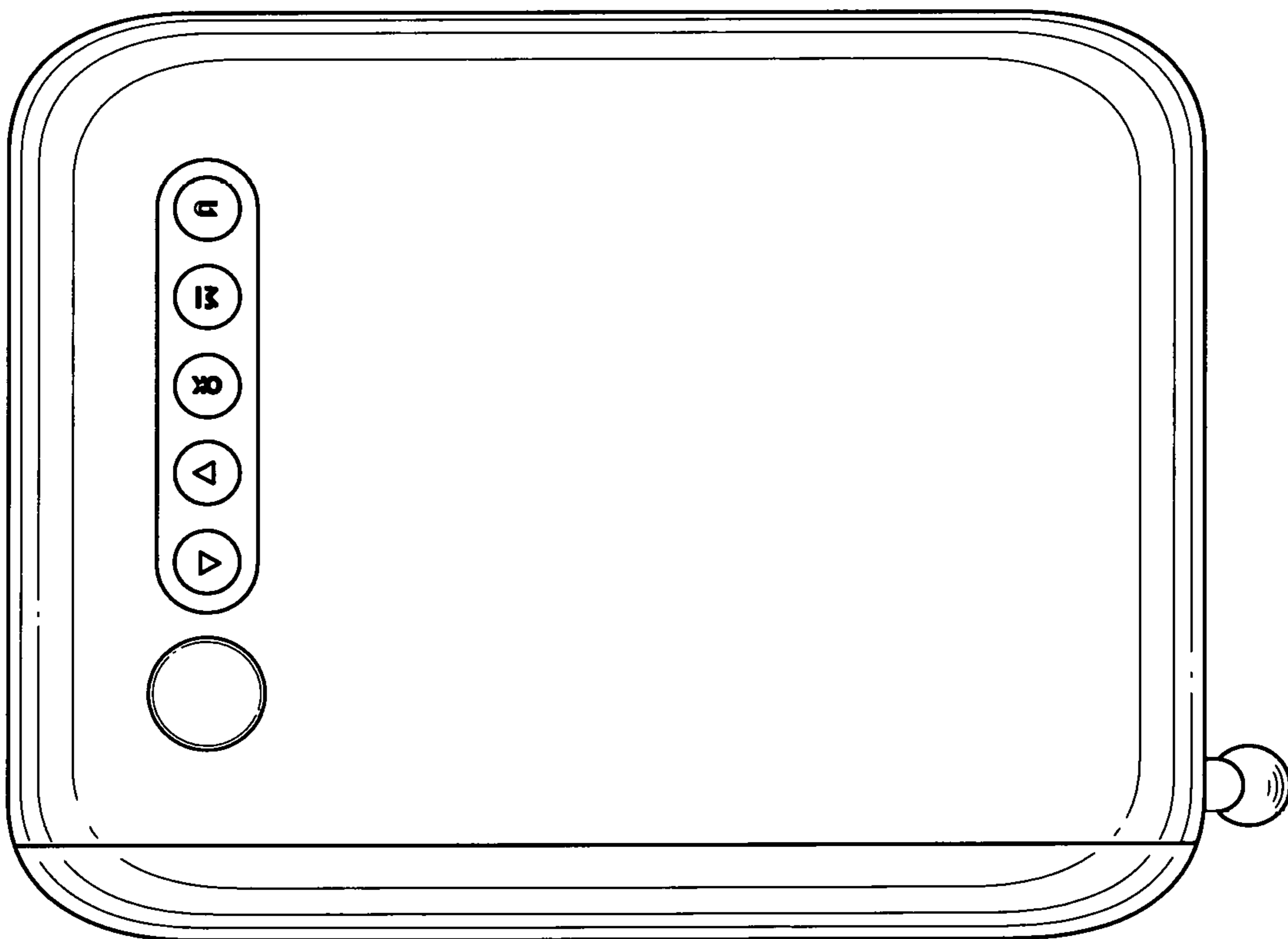


Fig. 6

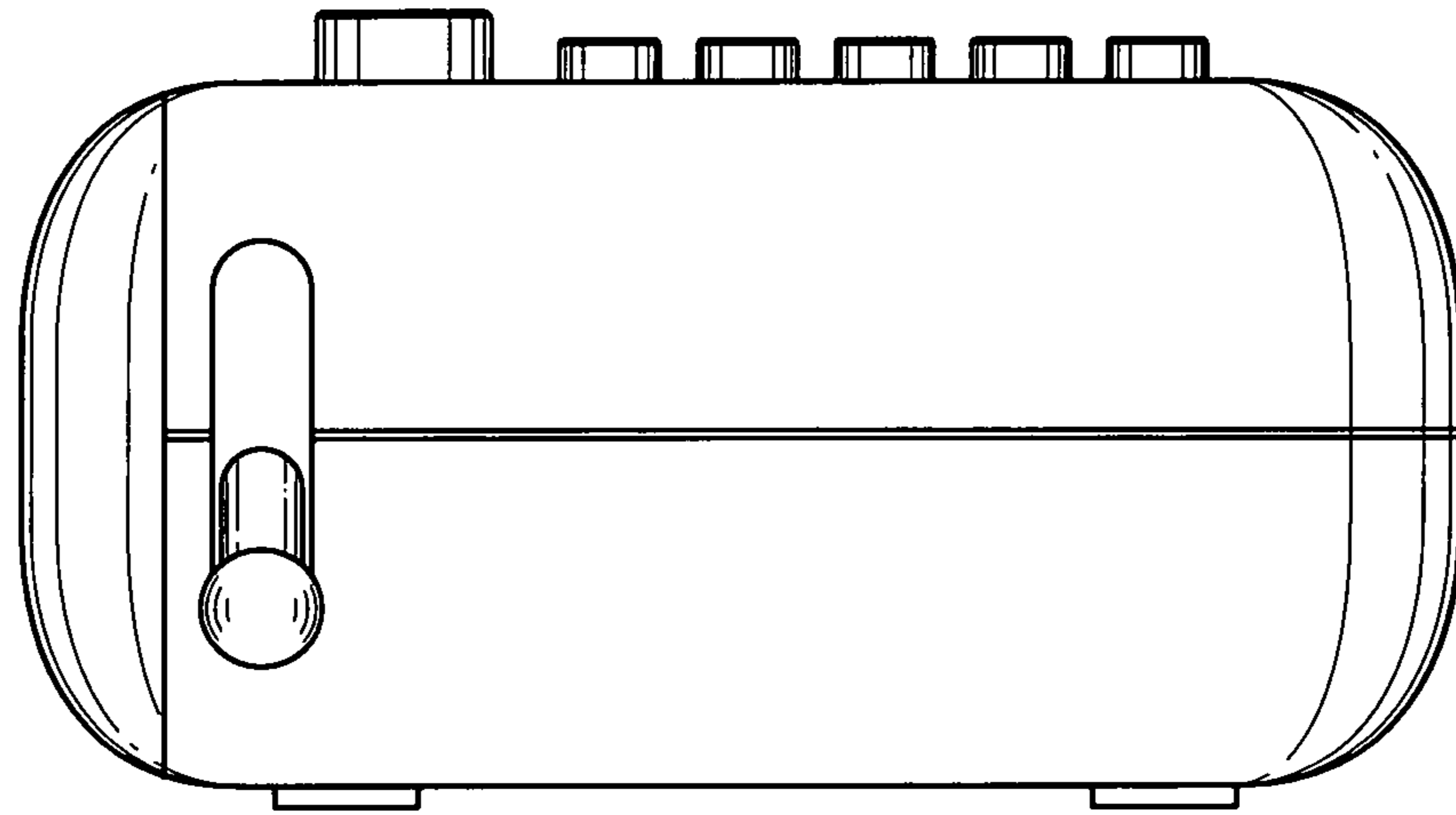


Fig. 7

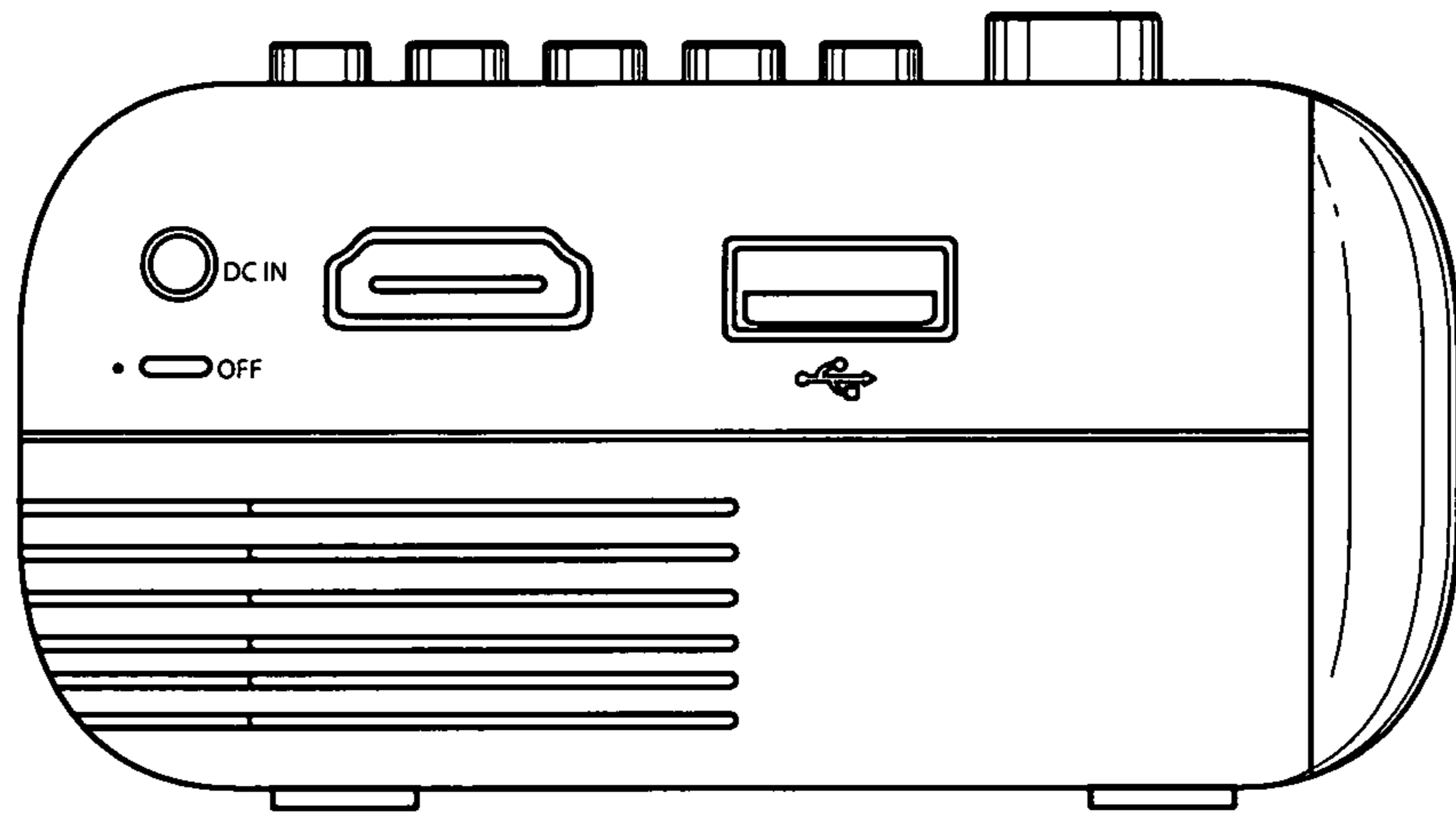


Fig. 8