



US00D879181S

(12) **United States Design Patent**
Lu

(10) **Patent No.:** **US D879,181 S**
(45) **Date of Patent:** **** Mar. 24, 2020**

- (54) **LENS HOLDER OF AUTOMOBILE SURVEILLANCE CAMERA**
- (71) Applicant: **ACTRON TECHNOLOGY CORPORATION**, Taoyuan (TW)
- (72) Inventor: **San-Ming Lu**, Taoyuan (TW)
- (73) Assignee: **ACTRON TECHNOLOGY CORPORATION**, Taoyuan (TW)

8,149,321 B2 * 4/2012 Ryu H04N 5/2257
348/340
8,498,070 B2 * 7/2013 Ke G02B 7/023
359/822
8,743,264 B2 * 6/2014 Ko H04N 5/2252
348/335
9,513,458 B1 * 12/2016 Flugge G02B 7/04
D849,119 S * 5/2019 Hsu D16/219
D850,514 S * 6/2019 Hsu D16/219
2007/0053681 A1 * 3/2007 Arbuckle F16M 11/10
396/427
2008/0062535 A1 * 3/2008 Lin G02B 7/10
359/694

(**) Term: **15 Years**

(Continued)

- (21) Appl. No.: **29/655,694**
- (22) Filed: **Jul. 6, 2018**
- (51) **LOC (12) Cl.** **16-05**
- (52) **U.S. Cl.**
USPC **D16/219**
- (58) **Field of Classification Search**
USPC D16/200, 202, 203, 214, 219, 220
CPC .. H04N 5/2251; H04N 5/2252; H04N 5/2253;
H04N 5/2254; H04N 5/33; H04N 5/332;
H04N 5/23238; H04N 2101/00; G03B
15/03; G03B 15/035; G03B 15/04; G03B
17/02; G03B 17/08; G03B 17/56; G03B
17/568; G03B 17/10; G03B 19/04; G03B
2215/0542

Primary Examiner — Sandra S Snapp
Assistant Examiner — Ieisha N Price
(74) *Attorney, Agent, or Firm* — Li & Cai Intellectual
Property (USA) Office

See application file for complete search history.

(57) **CLAIM**

The ornamental design for a lens holder of automobile surveillance camera, as shown and described.

DESCRIPTION

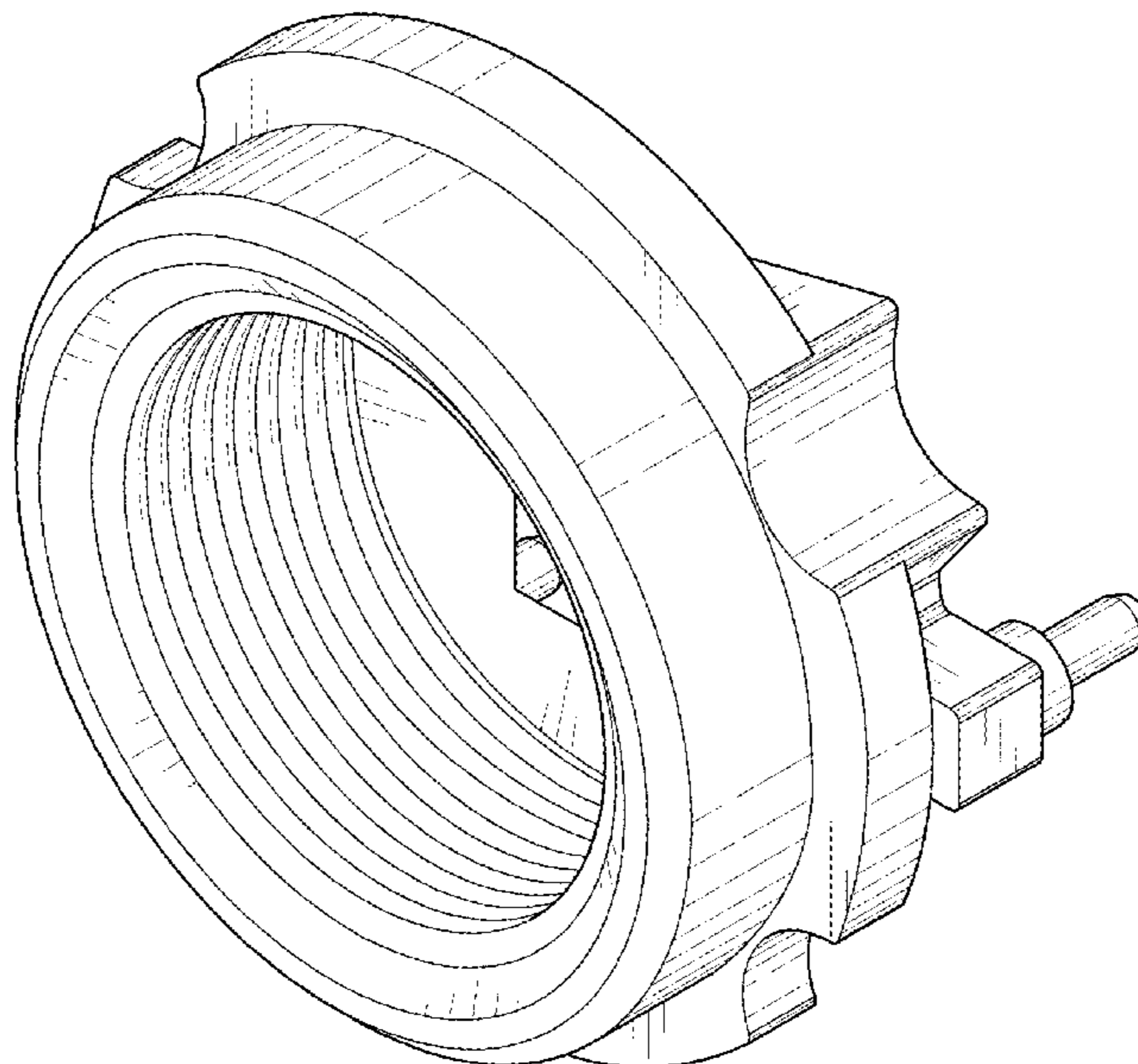
FIG. 1 is a front, right and top perspective view of a lens holder of automobile surveillance camera showing my new design;
FIG. 2 is a front elevation view thereof;
FIG. 3 is a rear elevation view thereof;
FIG. 4 is a left side elevation view thereof;
FIG. 5 is a right side elevation view thereof;
FIG. 6 is a top plan view thereof;
FIG. 7 is a bottom plan view thereof;
FIG. 8 is a rear, left and bottom perspective view thereof;
FIG. 9 is a cross-sectional view thereof along line 9-9 in FIG. 2; and,
FIG. 10 is a cross-sectional view of FIG. 9 shown in use.
The broken lines rendered in FIG. 10 illustrate the environment of the claimed design and form no part thereof.

(56) **References Cited**

U.S. PATENT DOCUMENTS

- 3,782,260 A * 1/1974 Ettischer G03B 3/02
396/530
- 4,747,669 A * 5/1988 Yamada G03B 17/04
359/826
- D496,062 S * 9/2004 Yamakami D16/200
- D553,660 S * 10/2007 Yoneji D16/202
- D556,232 S * 11/2007 Yoneji D16/202
- D559,881 S * 1/2008 Yoneji D16/203

1 Claim, 10 Drawing Sheets



(56)

References Cited

U.S. PATENT DOCUMENTS

2009/0161006	A1 *	6/2009	Lee	H04N 5/2252 348/374
2009/0245766	A1 *	10/2009	Sasaki	G02B 7/021 396/25
2011/0242321	A1 *	10/2011	Nakajima	G02B 7/021 348/148
2012/0133825	A1 *	5/2012	Nakajima	H04N 5/2253 348/374
2014/0153917	A1 *	6/2014	Zhang	H04N 5/2251 396/529
2015/0124098	A1 *	5/2015	Winden	H04N 5/2253 348/148
2017/0272624	A1 *	9/2017	Minikey, Jr.	H04N 5/2252
2018/0176429	A1 *	6/2018	Avalos	H04N 5/2254
2018/0194328	A1 *	7/2018	Numakunai	G03B 17/02
2018/0255213	A1 *	9/2018	Ahn	B60R 1/00
2018/0338071	A1 *	11/2018	Becker	B60R 11/04
2019/0025674	A1 *	1/2019	Hwang	B60R 11/04
2019/0045096	A1 *	2/2019	Mullenary	H04N 5/2257
2019/0098184	A1 *	3/2019	An	G03B 17/00
2019/0208626	A1 *	7/2019	Han	H04N 5/225

* cited by examiner

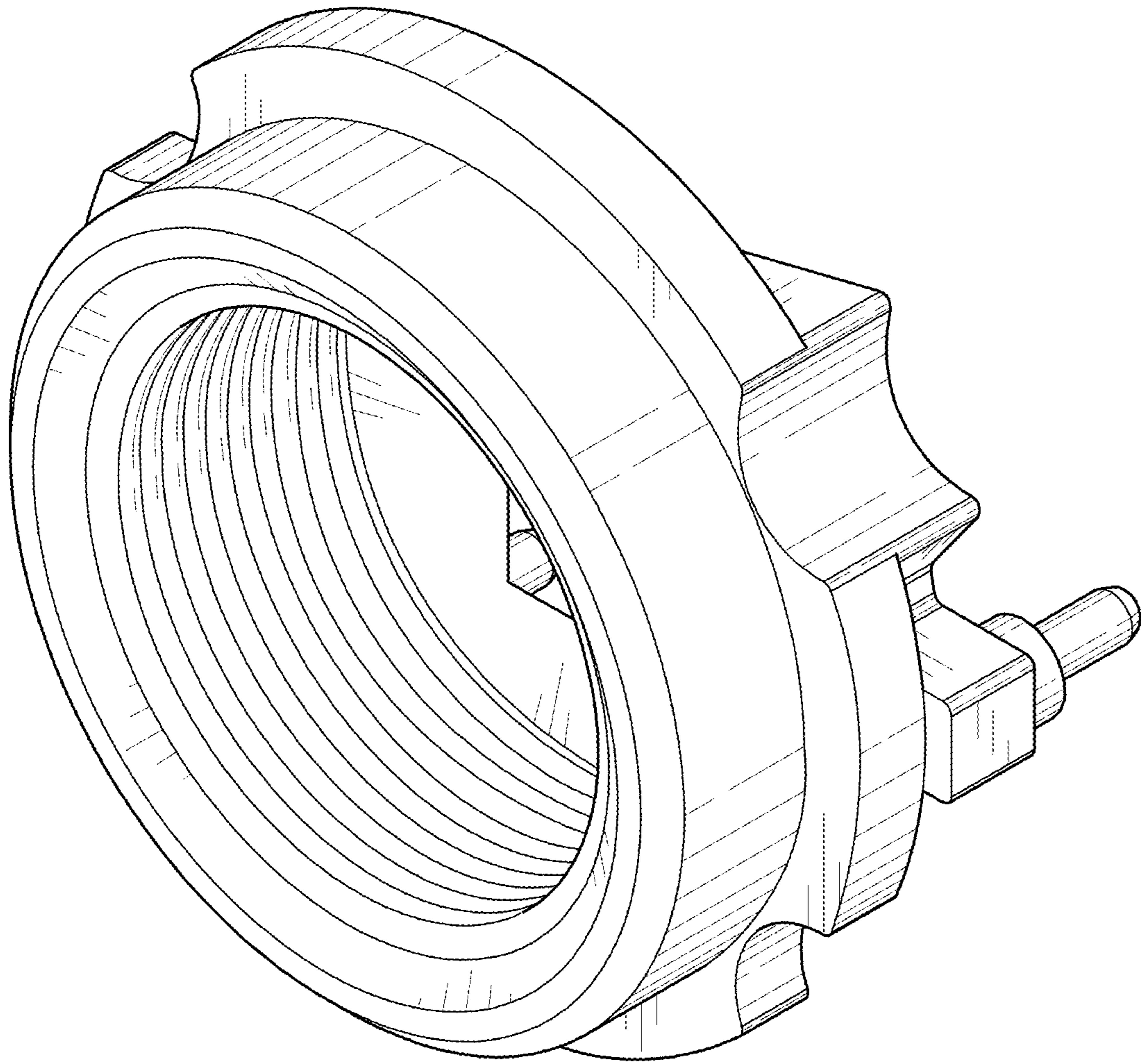


FIG. 1

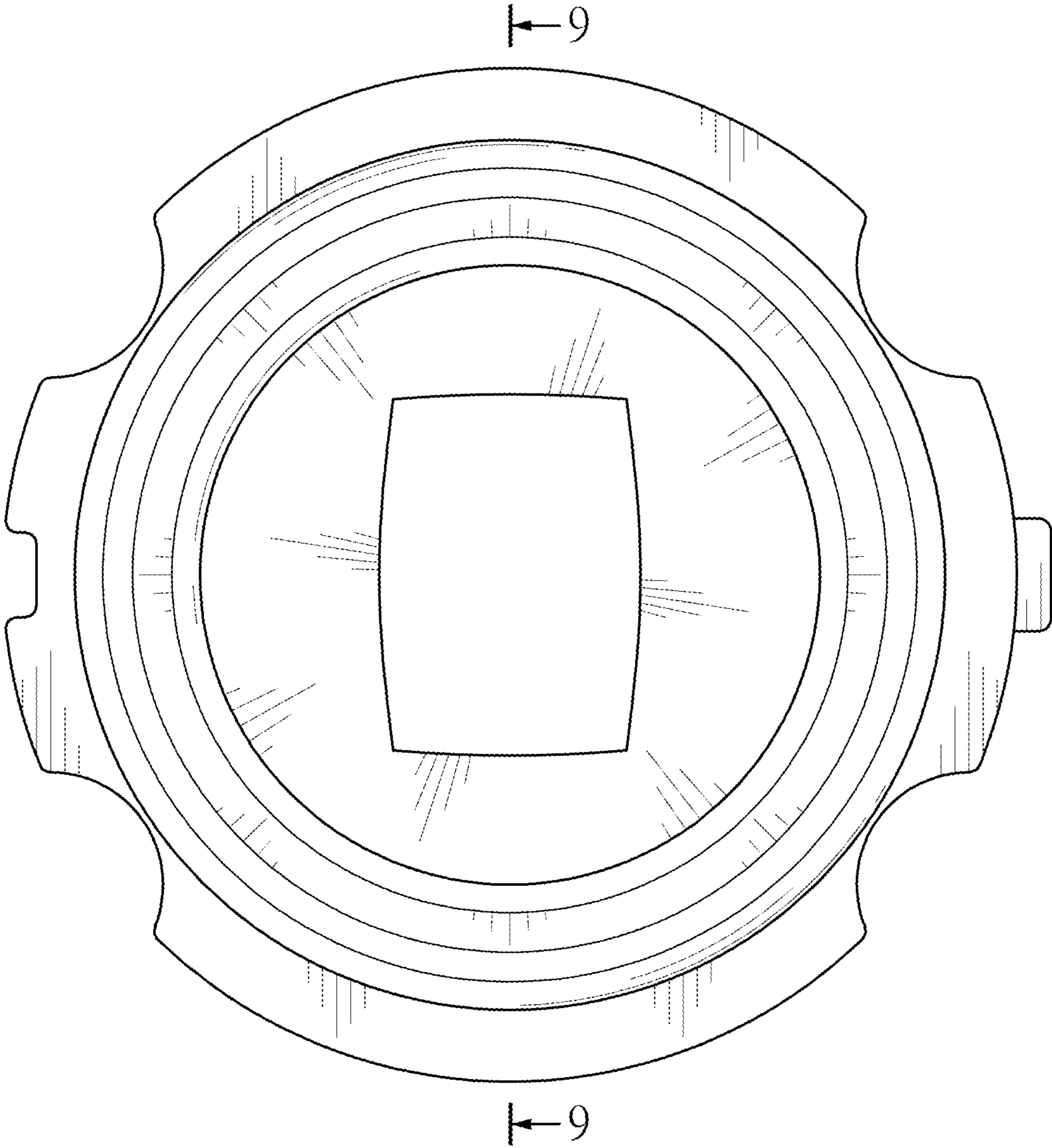


FIG. 2

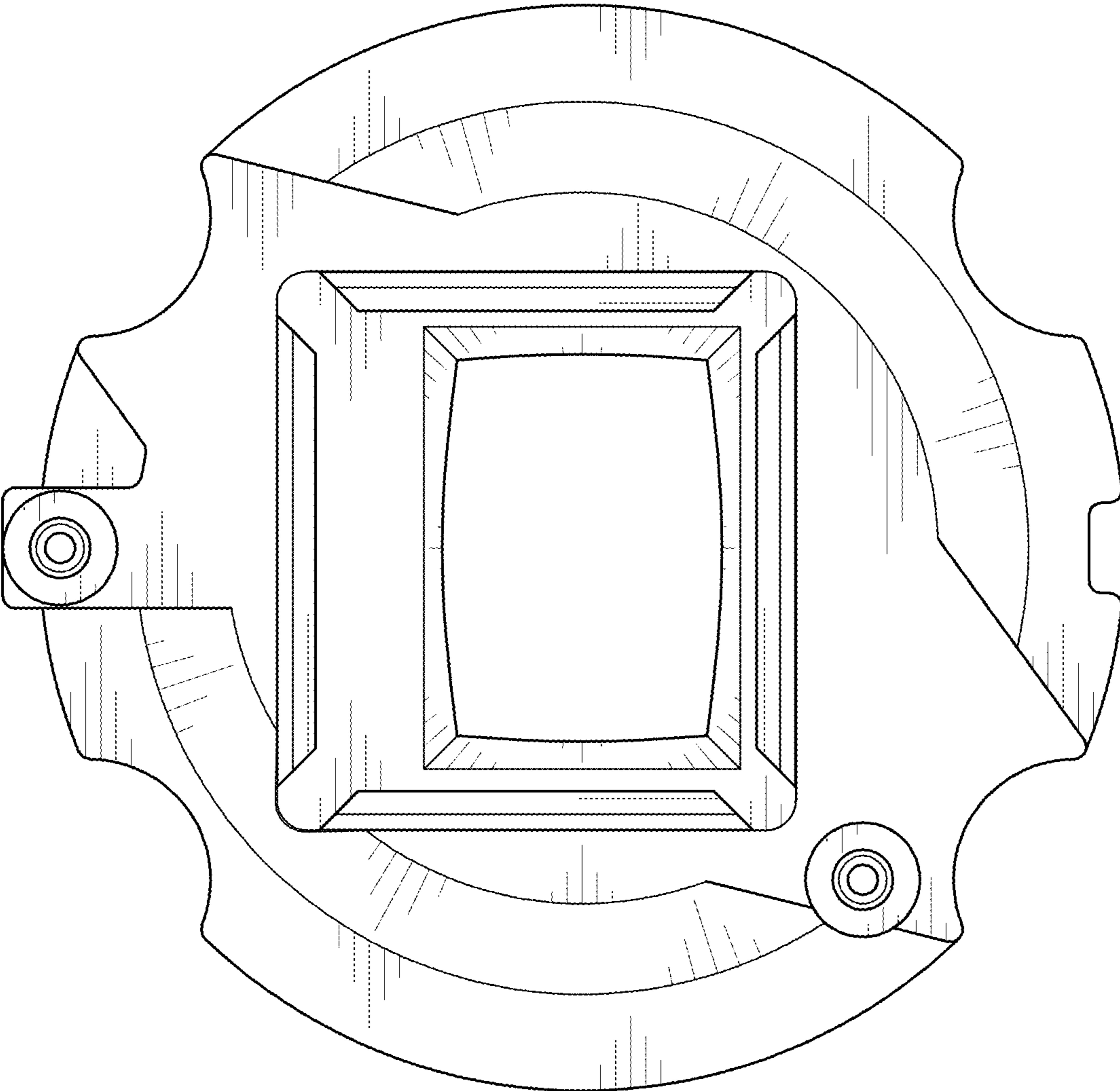


FIG. 3

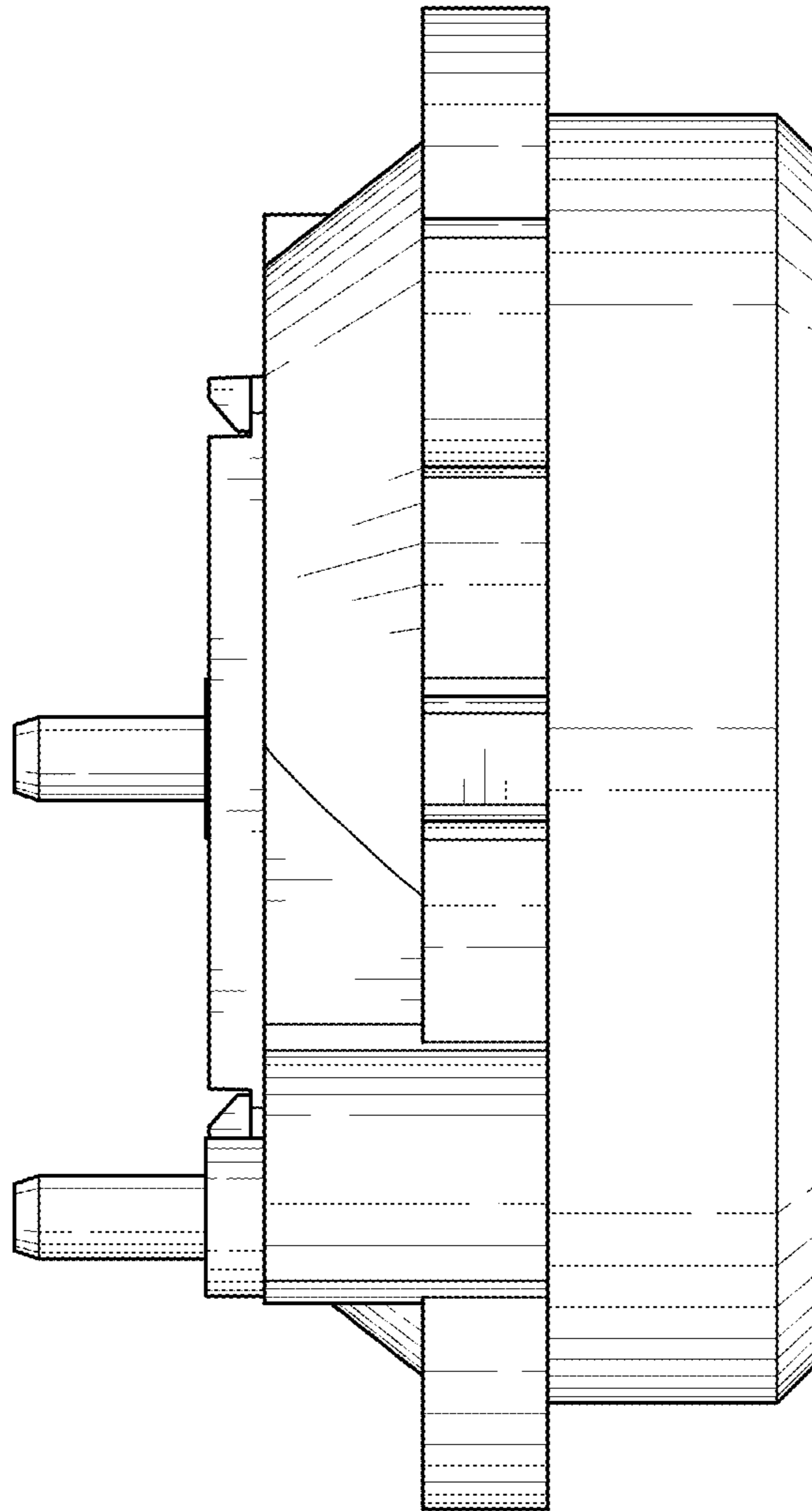


FIG. 4

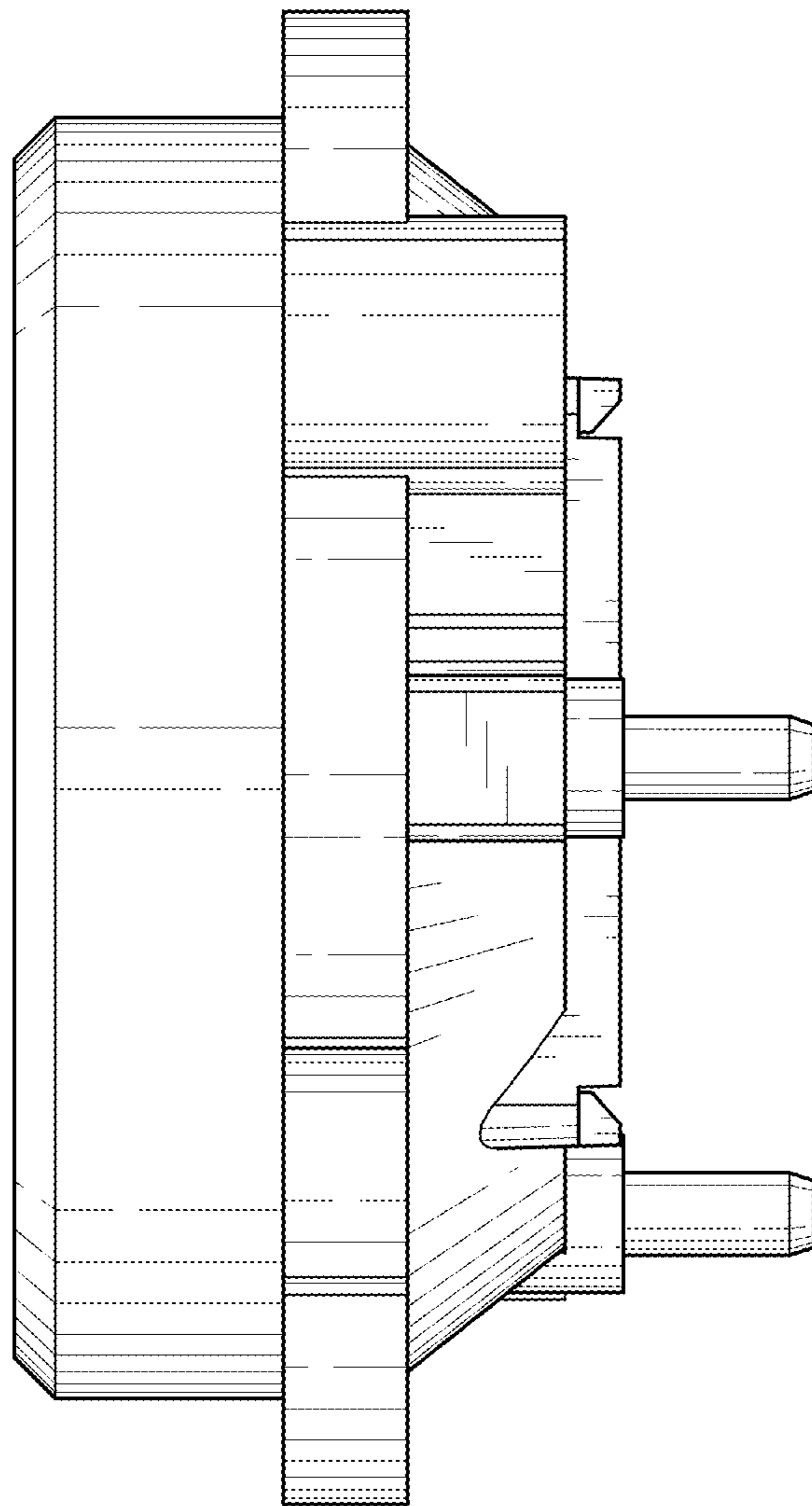


FIG. 5

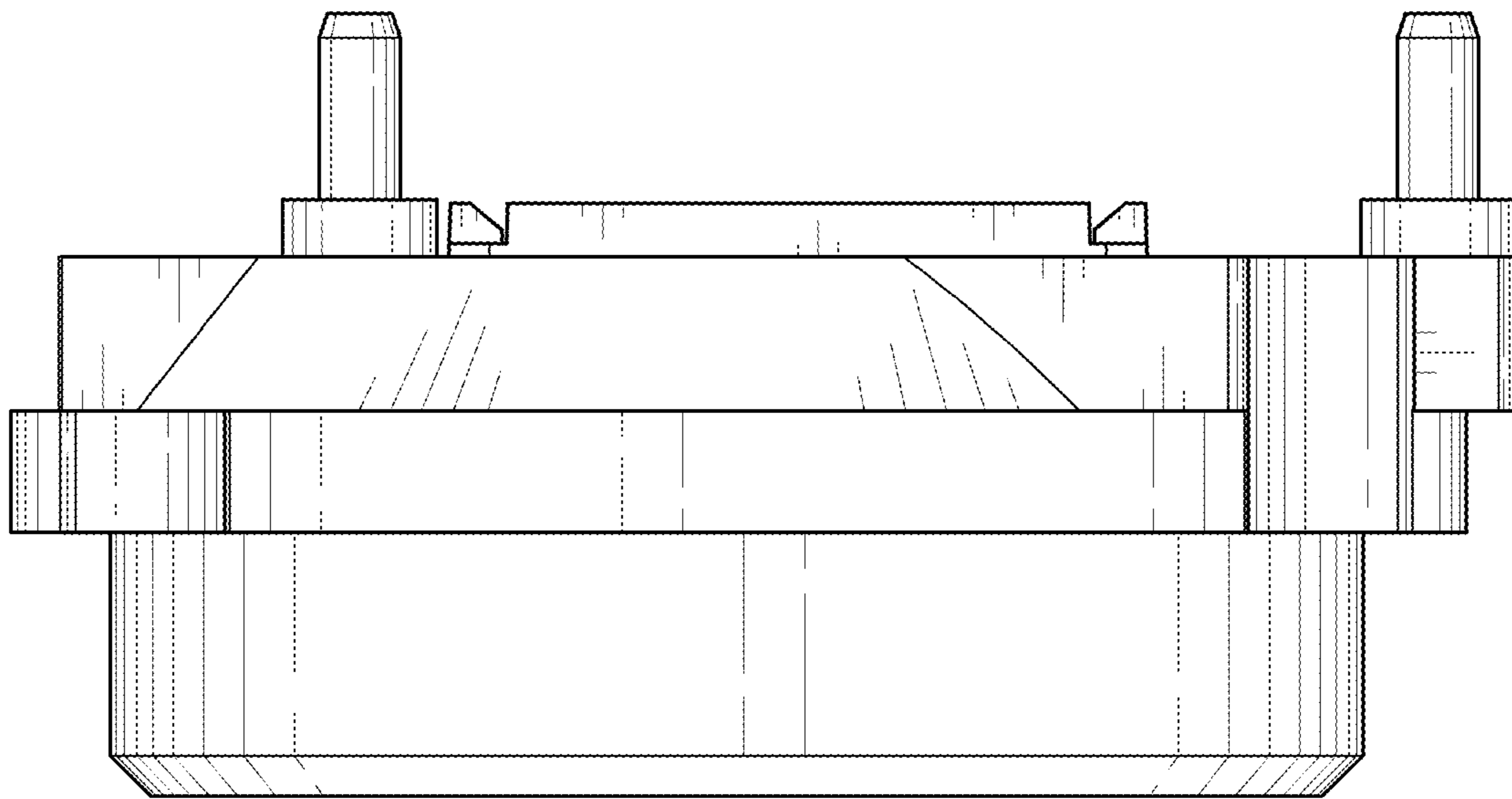


FIG. 6

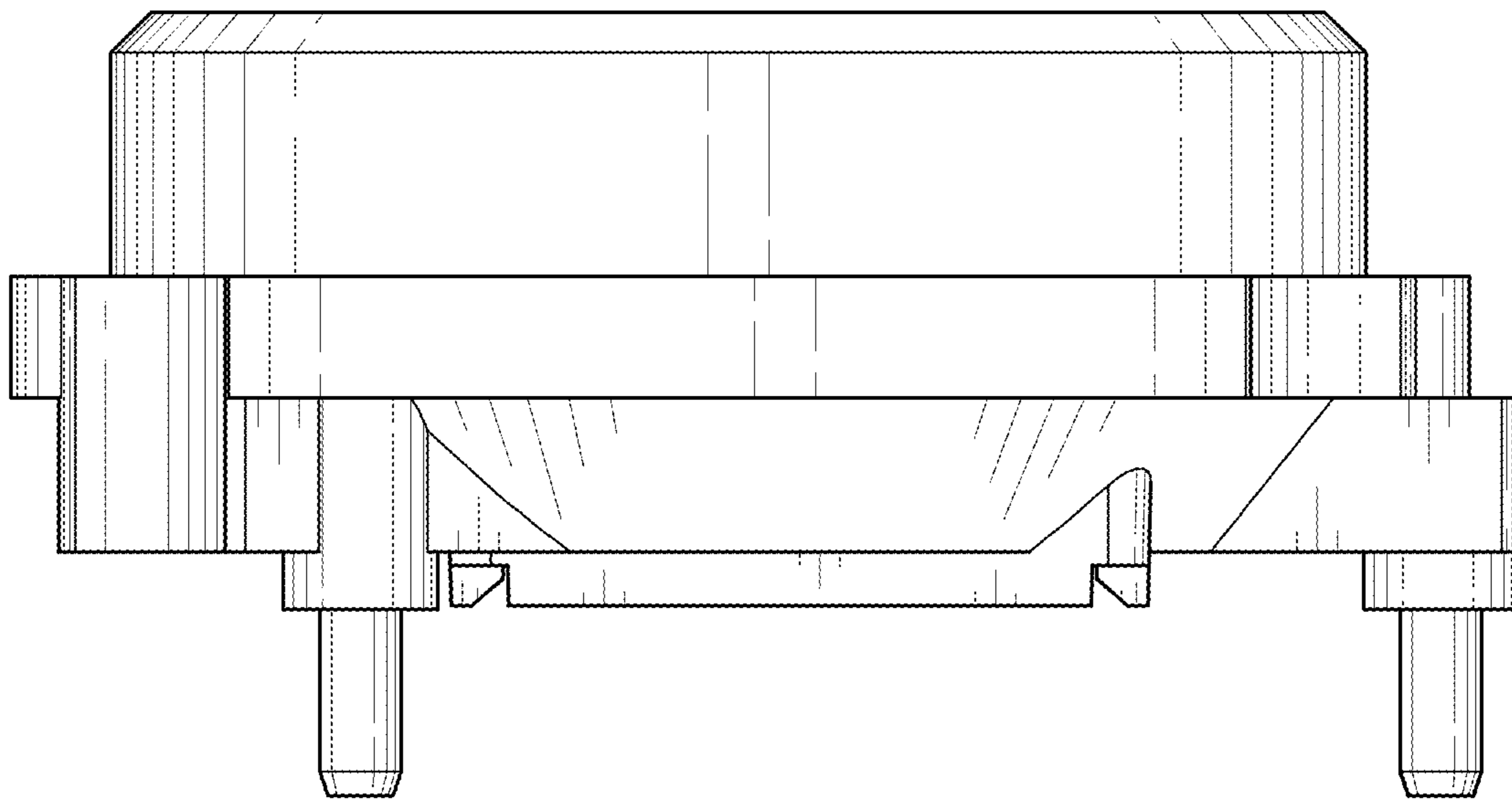


FIG. 7

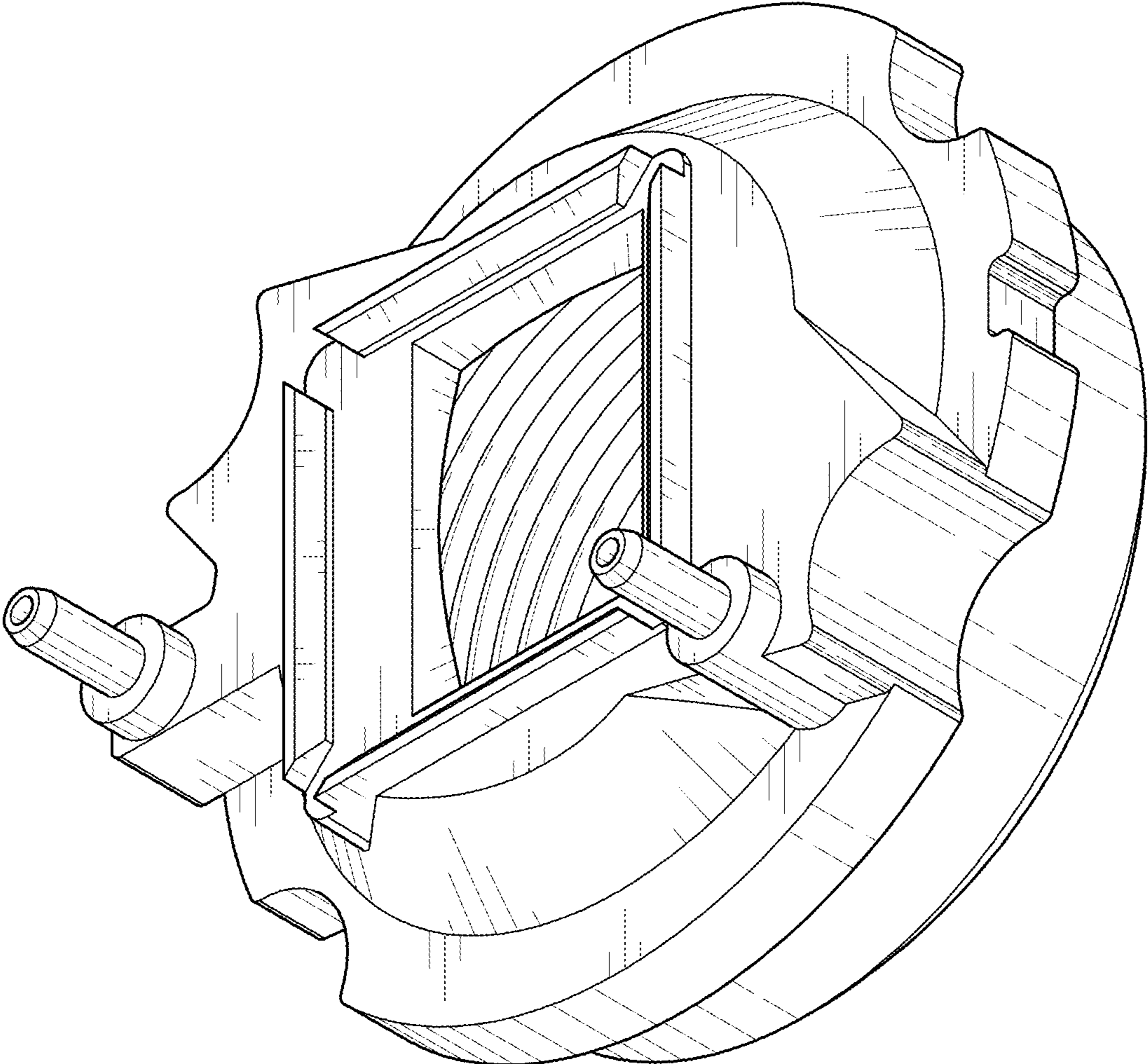


FIG. 8

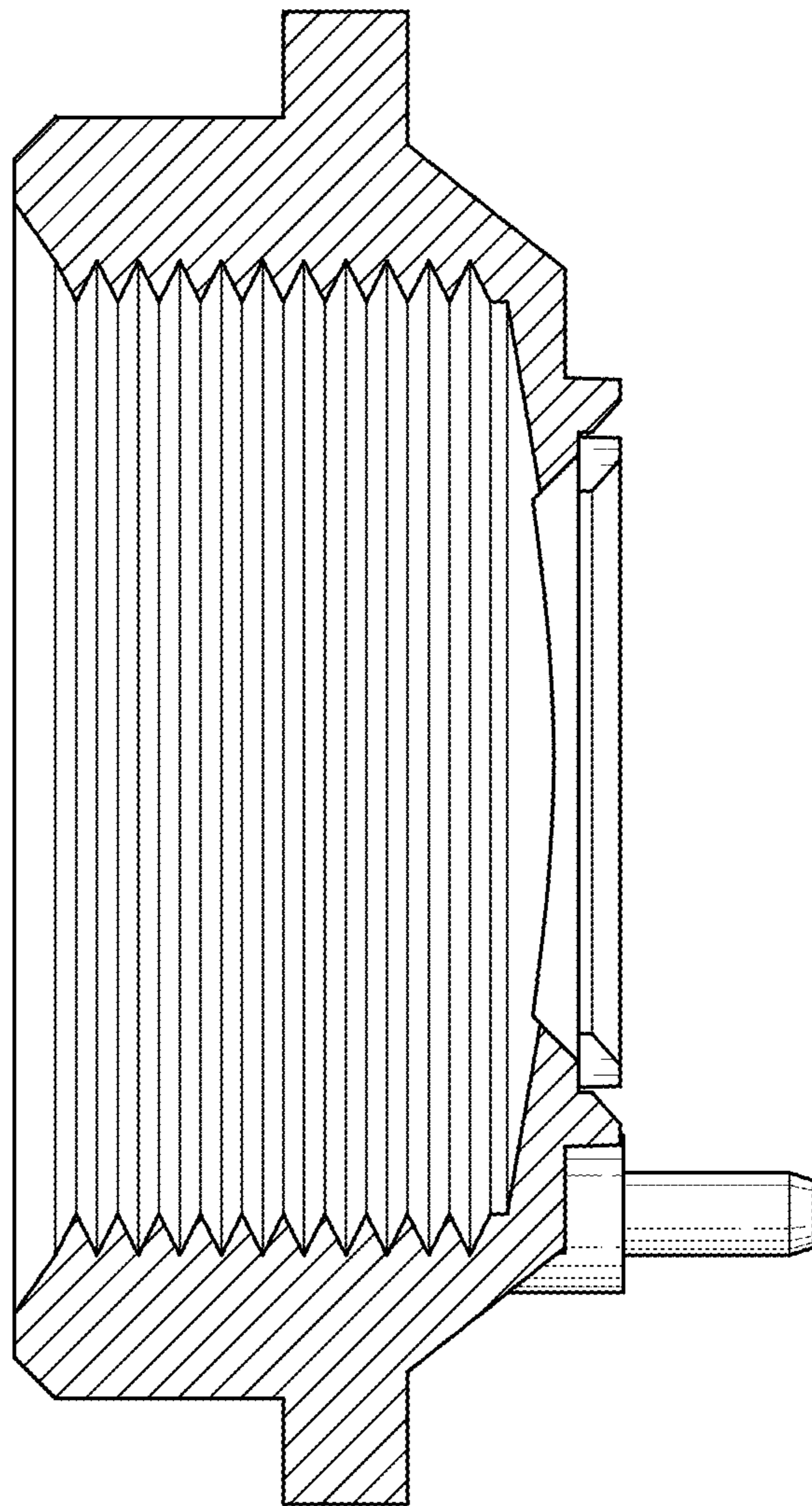


FIG. 9

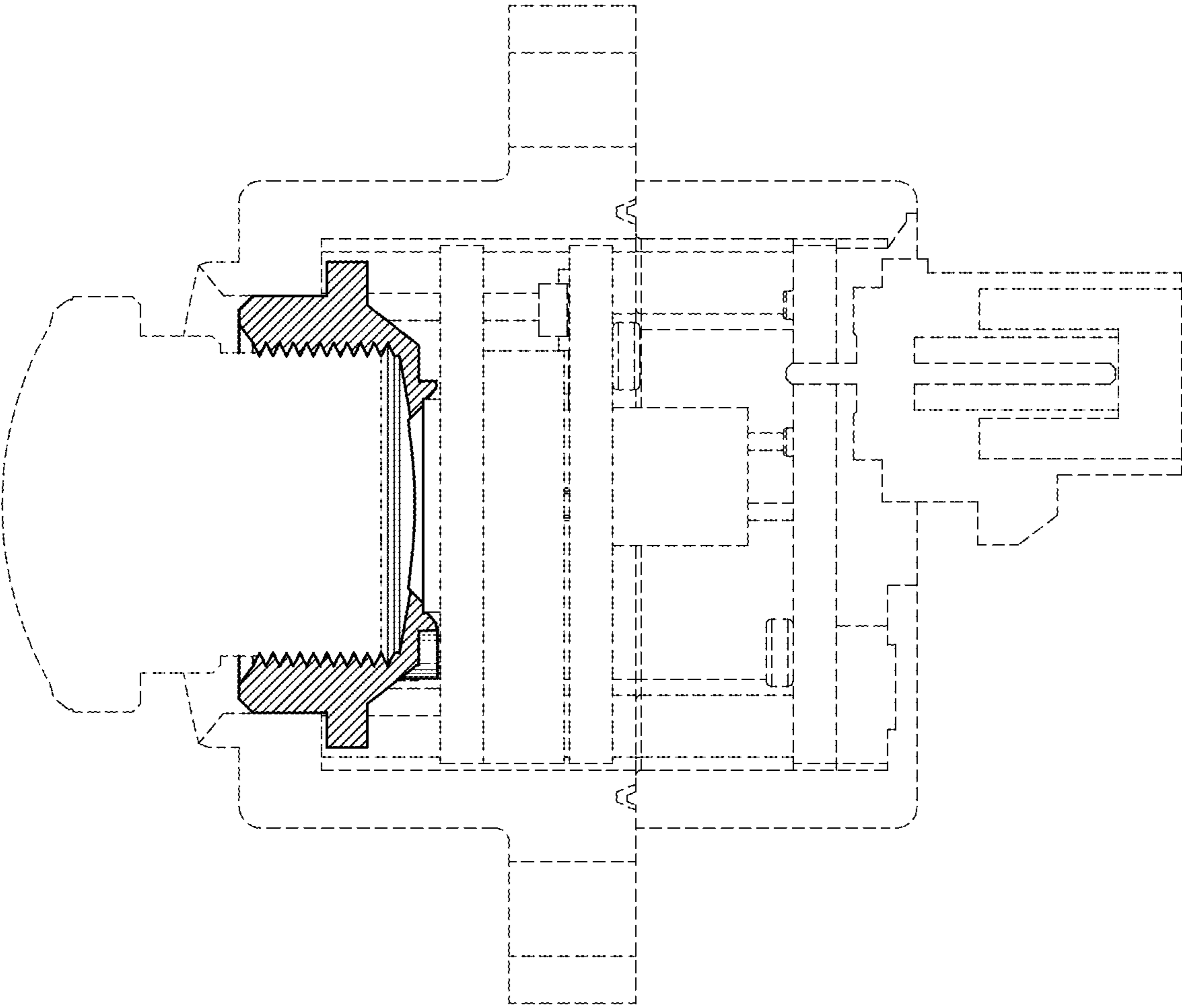


FIG. 10