



US00D879179S

(12) **United States Design Patent**  
**Kamei**

(10) **Patent No.:** **US D879,179 S**  
(45) **Date of Patent:** **\*\* Mar. 24, 2020**

(54) **LENS FOR CAMERA**

(71) Applicant: **FUJIFILM Corporation**, Tokyo (JP)

(72) Inventor: **Keita Kamei**, Saitama (JP)

(73) Assignee: **FUJIFILM Corporation**, Tokyo (JP)

(\*\*) Term: **15 Years**

(21) Appl. No.: **29/641,656**

(22) Filed: **Mar. 23, 2018**

(30) **Foreign Application Priority Data**

Sep. 26, 2017 (JP) ..... 2017-021027

(51) **LOC (12) Cl.** ..... **16-05**

(52) **U.S. Cl.**  
USPC ..... **D16/219**

(58) **Field of Classification Search**  
USPC ..... D16/134, 136, 200, 202, 203, 204, 205,  
D16/218, 219, 235, 242  
CPC ..... G03B 9/08; G03B 15/03; G03B 17/00;  
G03B 17/02; G03B 17/04; G03B 17/14;  
G03B 17/56; G03B 19/04; H04N 5/2251;  
H04N 5/2252; H04N 5/2253; H04N  
5/2254; H04N 7/00; H04N 2101/00;  
G02B 3/14; G02B 7/02; G02B 7/04;  
G02B 7/14

See application file for complete search history.

(56) **References Cited**

**U.S. PATENT DOCUMENTS**

4,101,917 A \* 7/1978 Ueda ..... G03B 7/18  
396/298  
D331,589 S \* 12/1992 Yamamoto ..... D16/134  
D566,158 S \* 4/2008 Yasutomi ..... D16/134  
D688,292 S \* 8/2013 Koyama ..... D16/219  
D696,709 S \* 12/2013 Sato ..... D16/219  
D718,362 S \* 11/2014 Noh ..... D16/219

D724,644 S \* 3/2015 Tainaka ..... D16/219  
D751,132 S \* 3/2016 Sakai ..... D16/218  
D783,078 S \* 4/2017 Kim ..... D16/219  
D783,700 S \* 4/2017 Tagawa ..... D16/219  
D791,210 S \* 7/2017 Mori ..... D16/202  
2011/0273777 A1\* 11/2011 Koyama ..... G02B 7/021  
359/611  
2013/0271860 A1\* 10/2013 Arakawa ..... G02B 7/04  
359/823  
2014/0022656 A1\* 1/2014 Araki ..... G02B 7/04  
359/824  
2014/0168798 A1\* 6/2014 Ejima ..... G03B 43/00  
359/822  
2015/0211840 A1\* 7/2015 Katsumata ..... G02B 7/14  
348/340

(Continued)

*Primary Examiner* — Sandra S Snapp

*Assistant Examiner* — Ieisha N Price

(74) *Attorney, Agent, or Firm* — Birch, Stewart, Kolasch  
& Birch, LLP

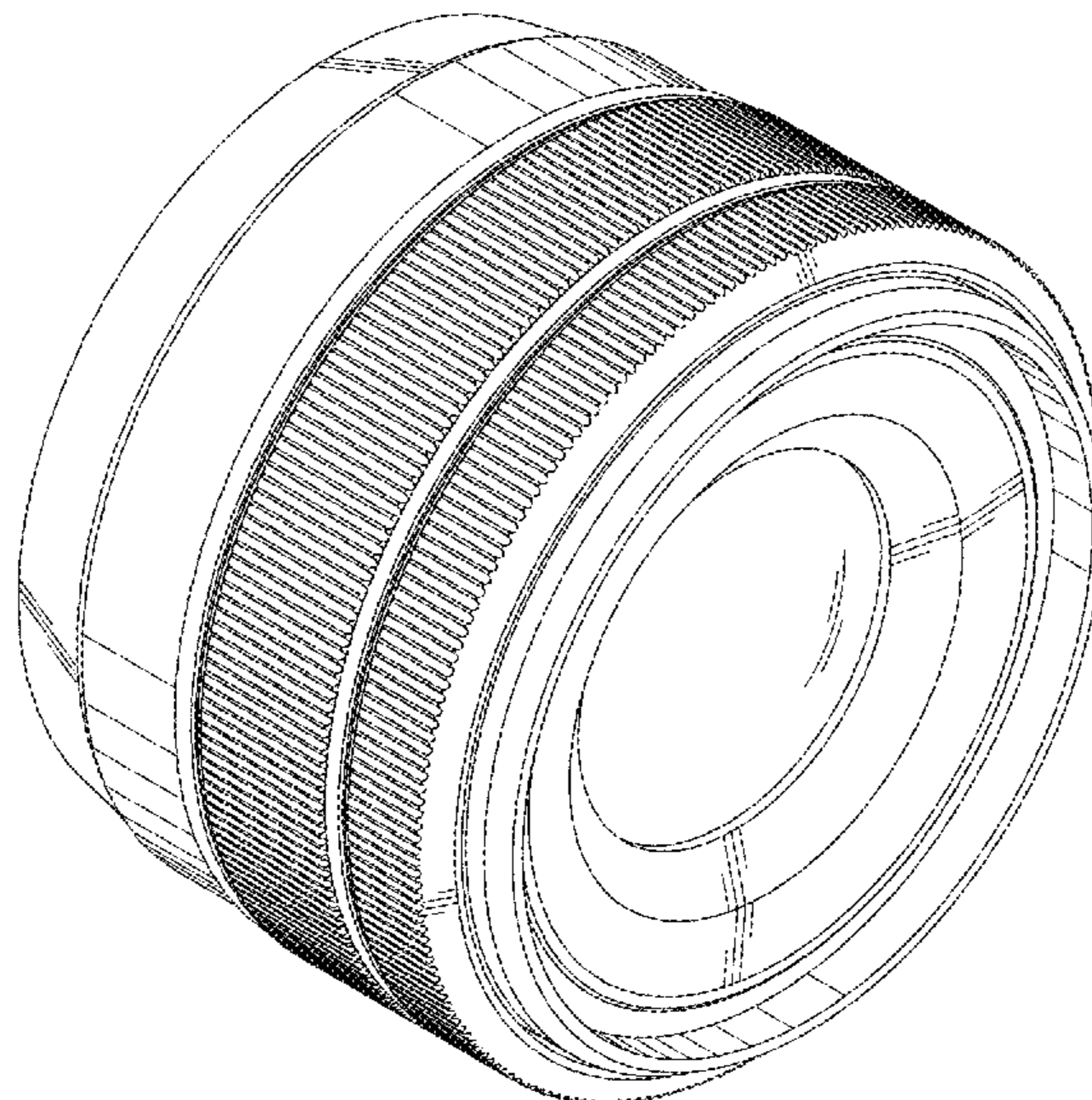
(57) **CLAIM**

The ornamental design for a lens for camera, as shown and described.

**DESCRIPTION**

FIG. 1 is a front-left perspective view from upper side of a lens for camera showing my new design;  
FIG. 2 is a front-right perspective view from lower side thereof;  
FIG. 3 is a rear, left and top perspective view from upper side thereof;  
FIG. 4 is a rear, left and bottom perspective view from lower side thereof;  
FIG. 5 is a front view thereof;  
FIG. 6 is a rear view thereof;  
FIG. 7 is a top plan view thereof;  
FIG. 8 is a bottom plan view thereof;  
FIG. 9 is a right side view thereof; and,  
FIG. 10 is a left side view thereof.

**1 Claim, 5 Drawing Sheets**



(56)

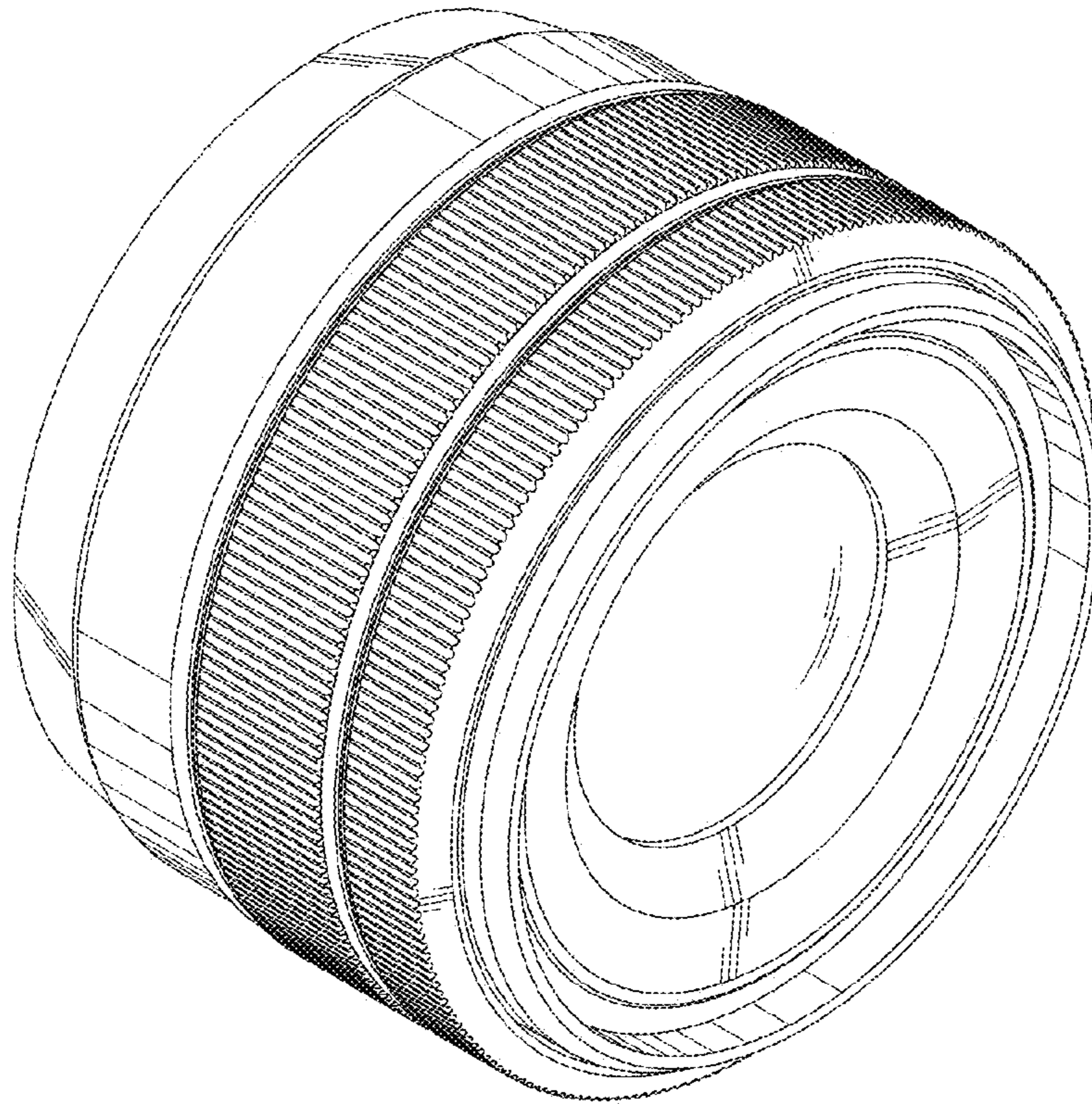
**References Cited**

U.S. PATENT DOCUMENTS

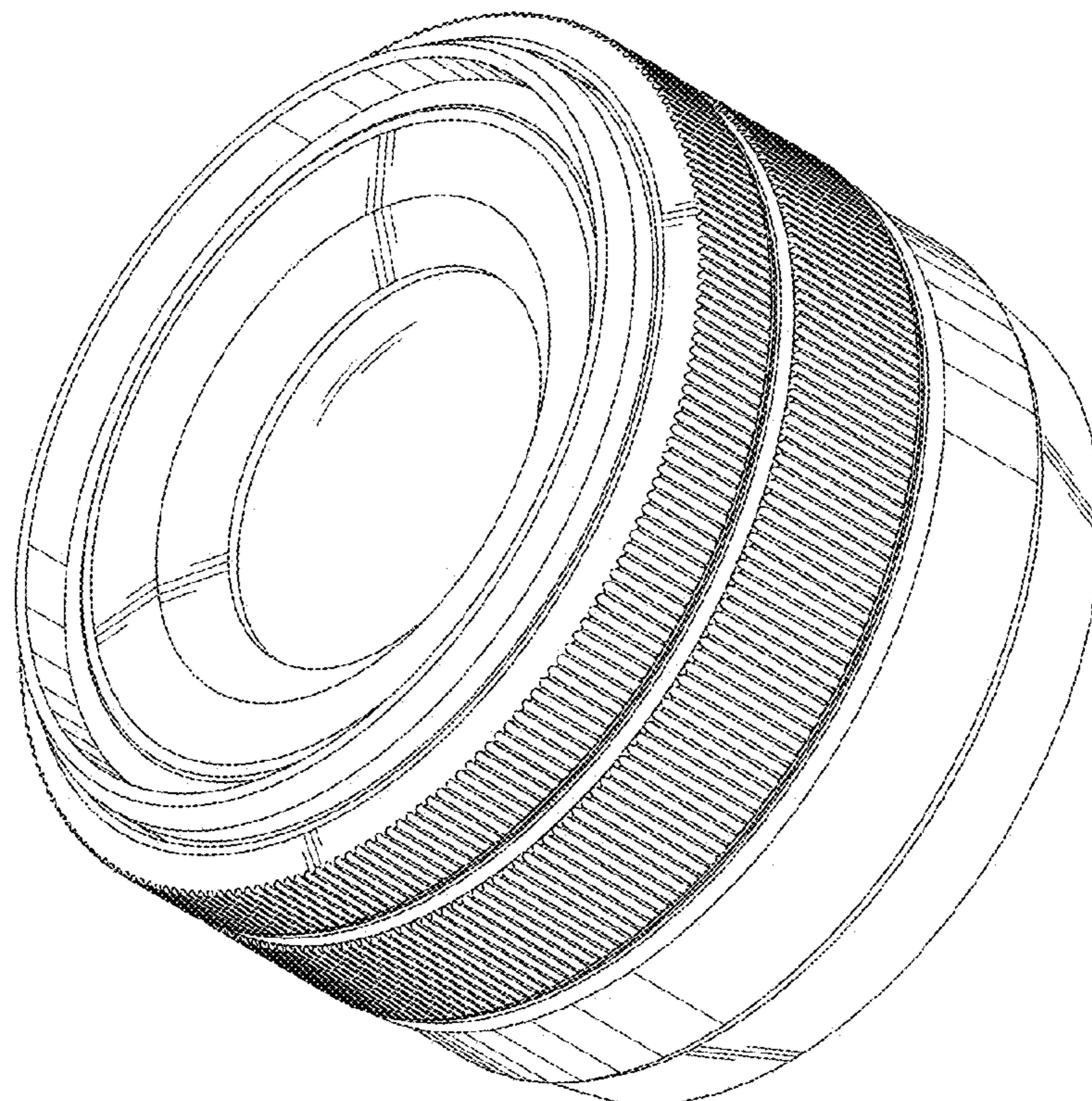
2015/0331221 A1\* 11/2015 Koiwai ..... G02B 7/10  
359/701  
2016/0309076 A1\* 10/2016 Steinberg ..... H04N 5/23216  
2016/0309092 A1\* 10/2016 Feinberg ..... H04N 5/23216  
2016/0377782 A1\* 12/2016 Hague ..... G01J 3/447  
359/484.01

\* cited by examiner

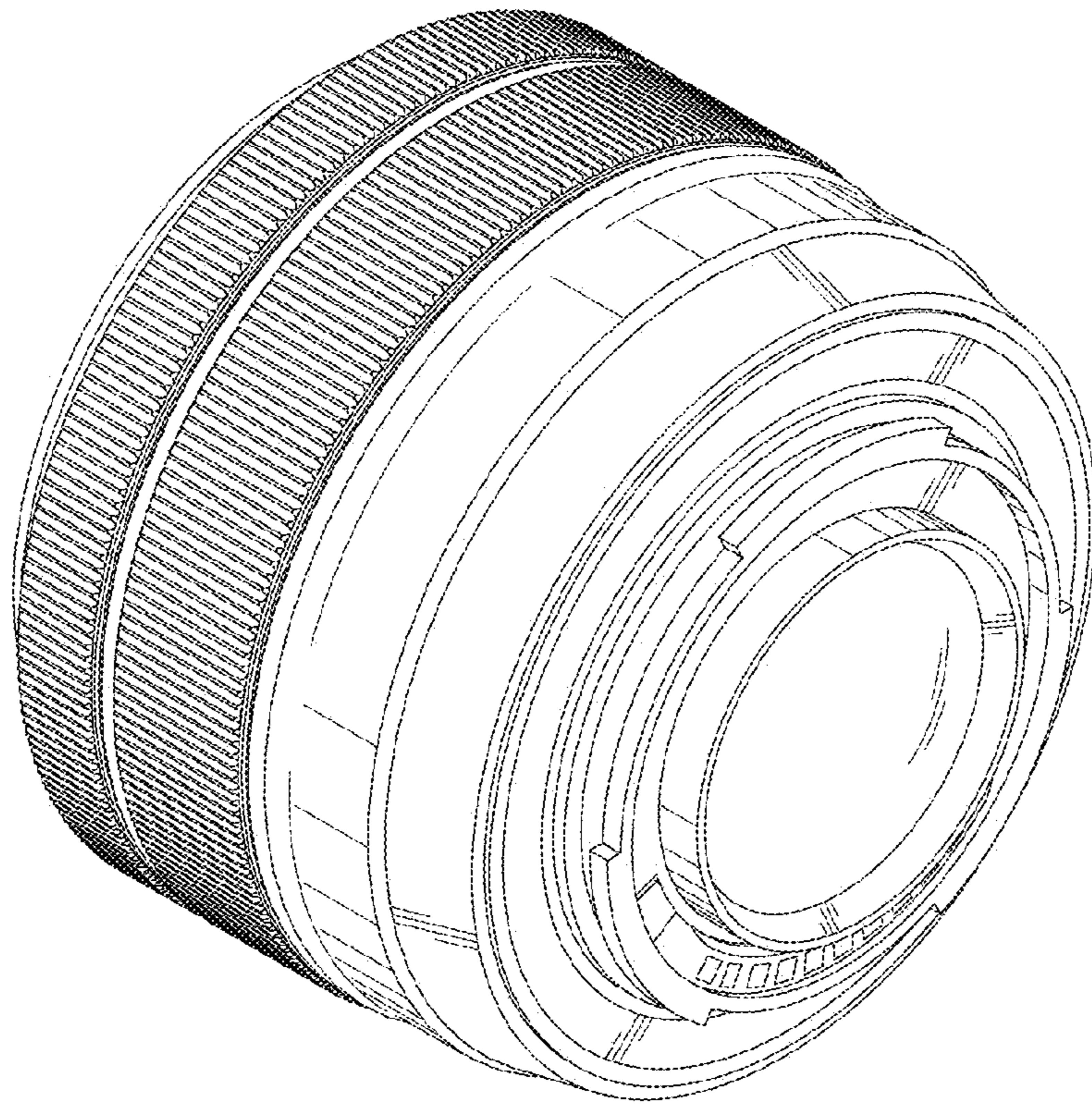
**FIG. 1**



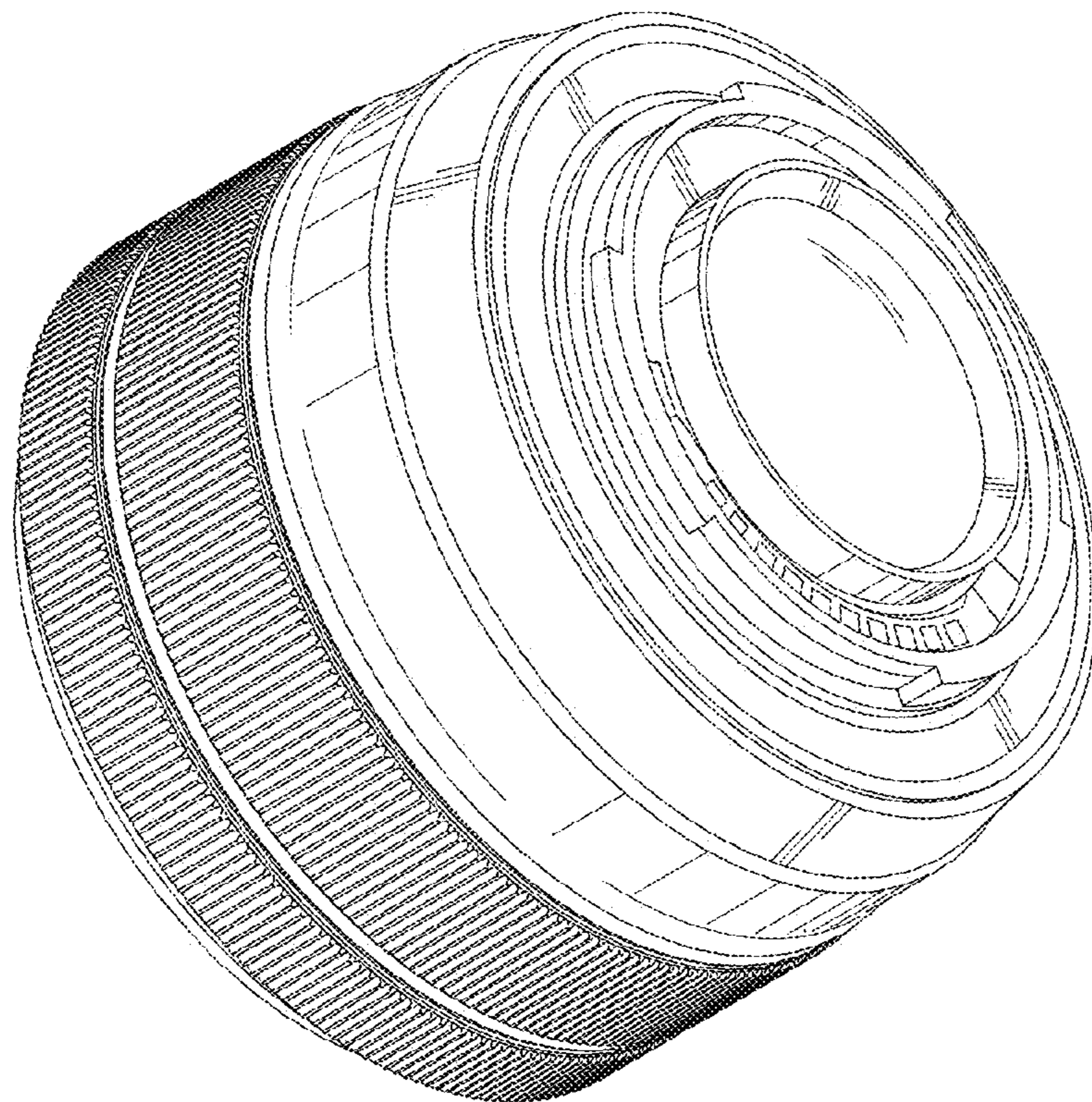
**FIG. 2**



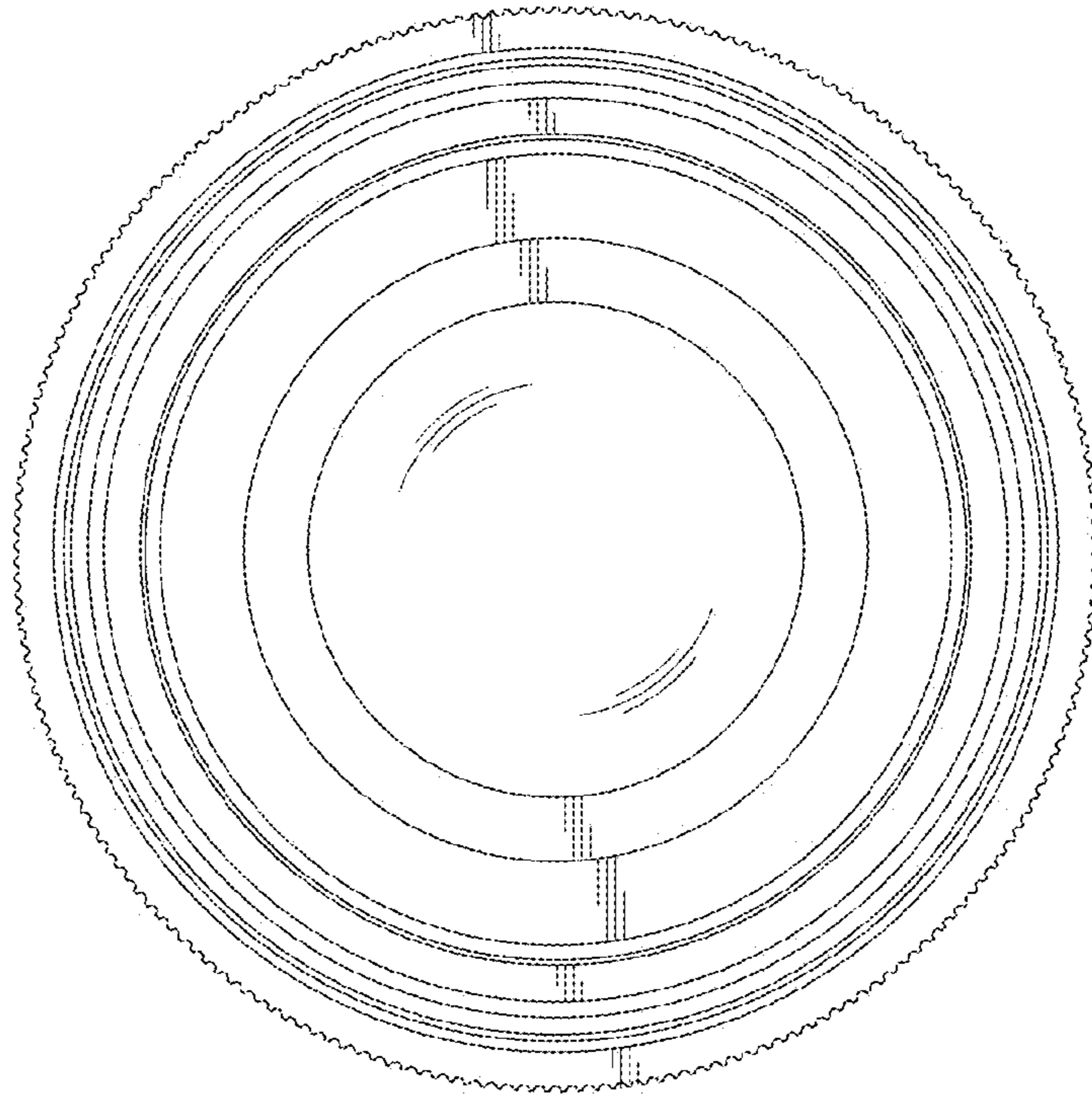
**FIG. 3**



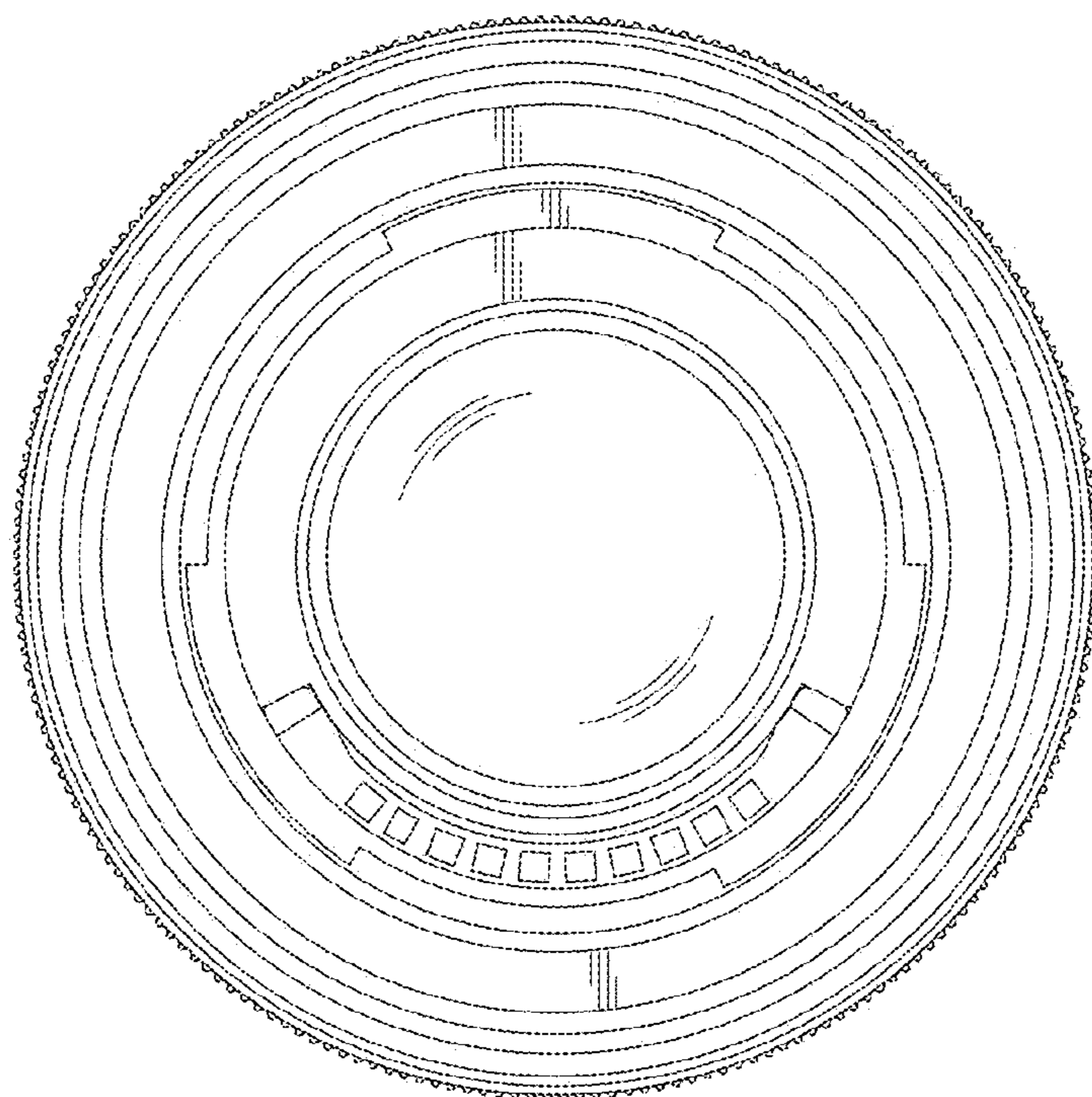
**FIG. 4**



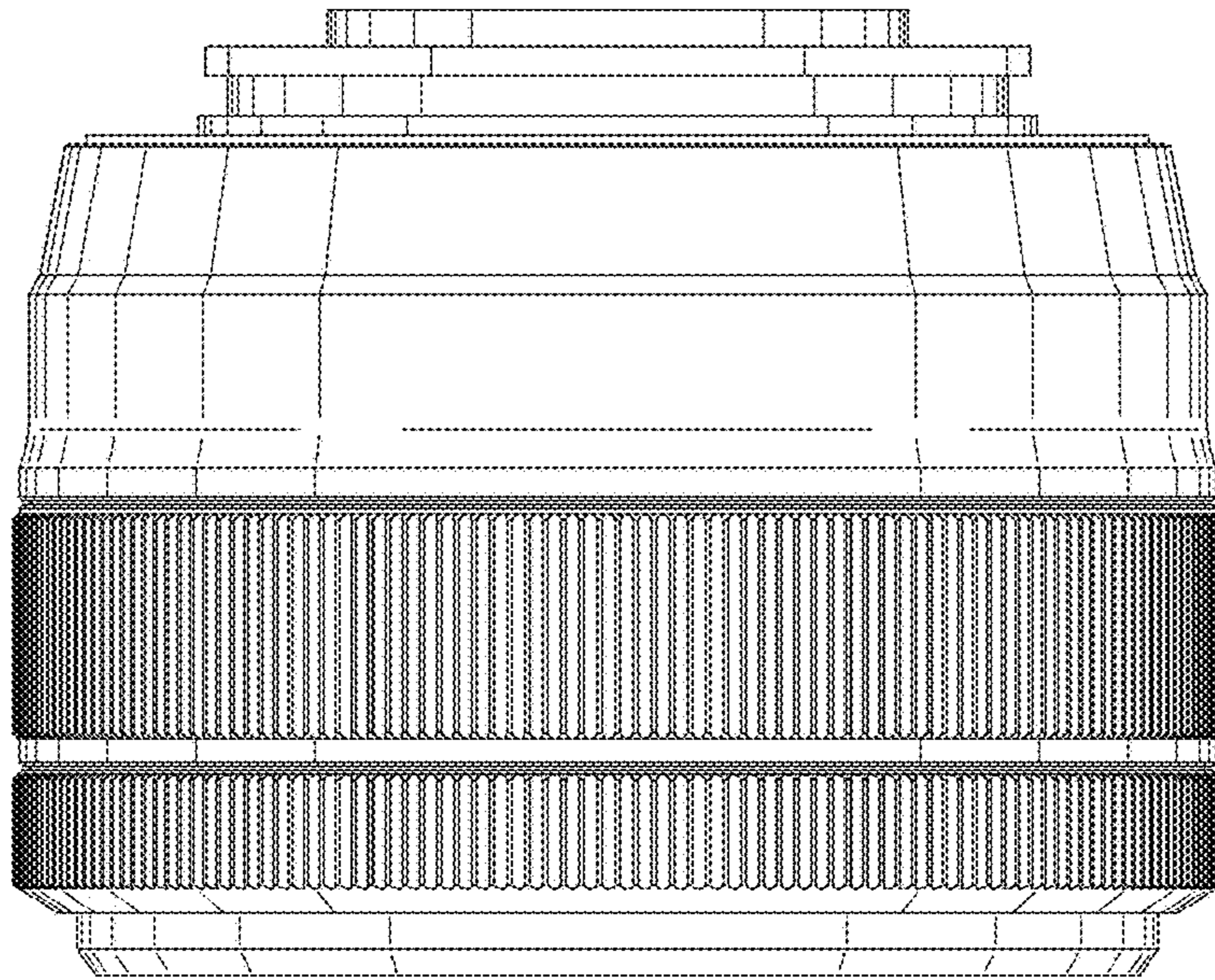
**FIG. 5**



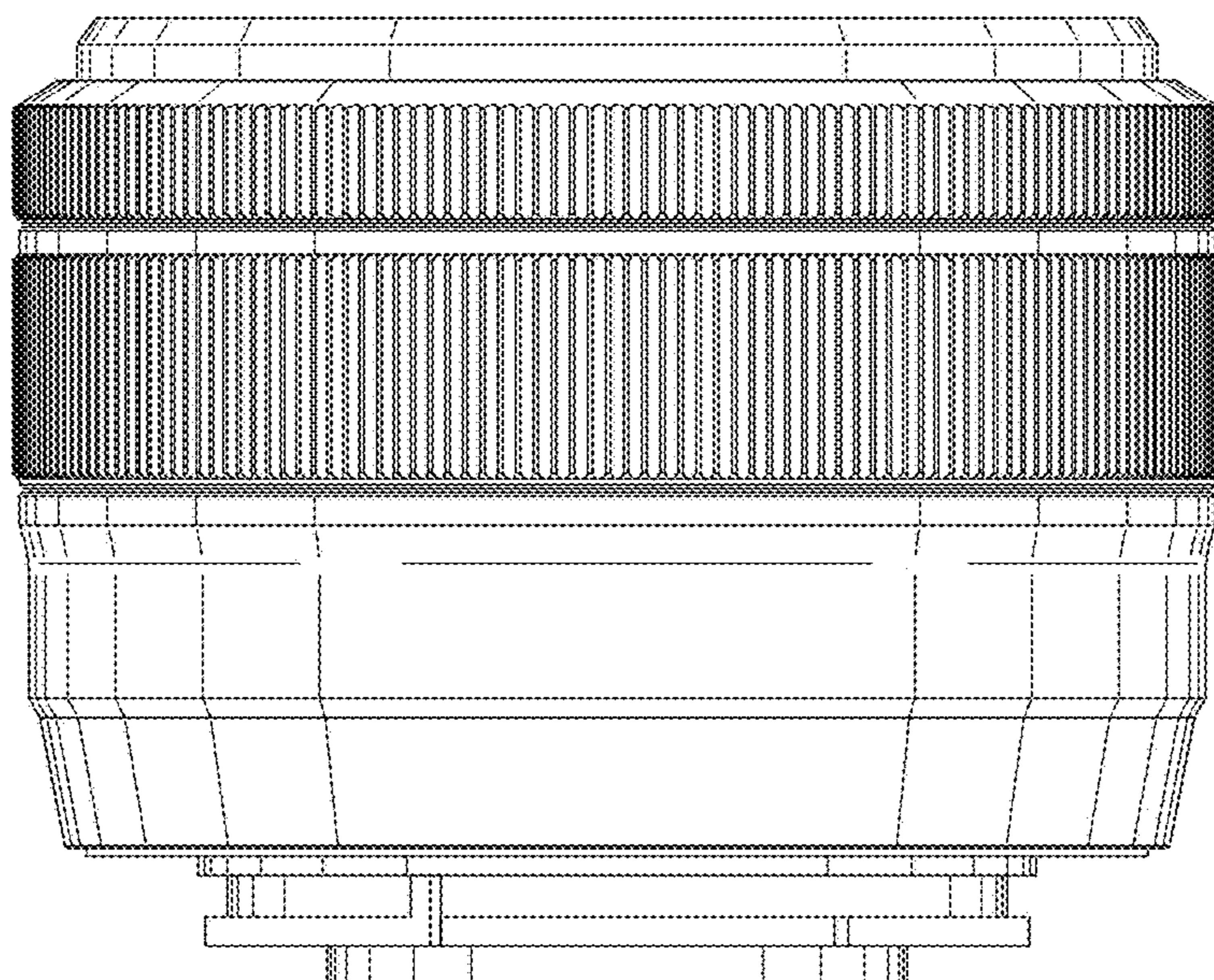
**FIG. 6**



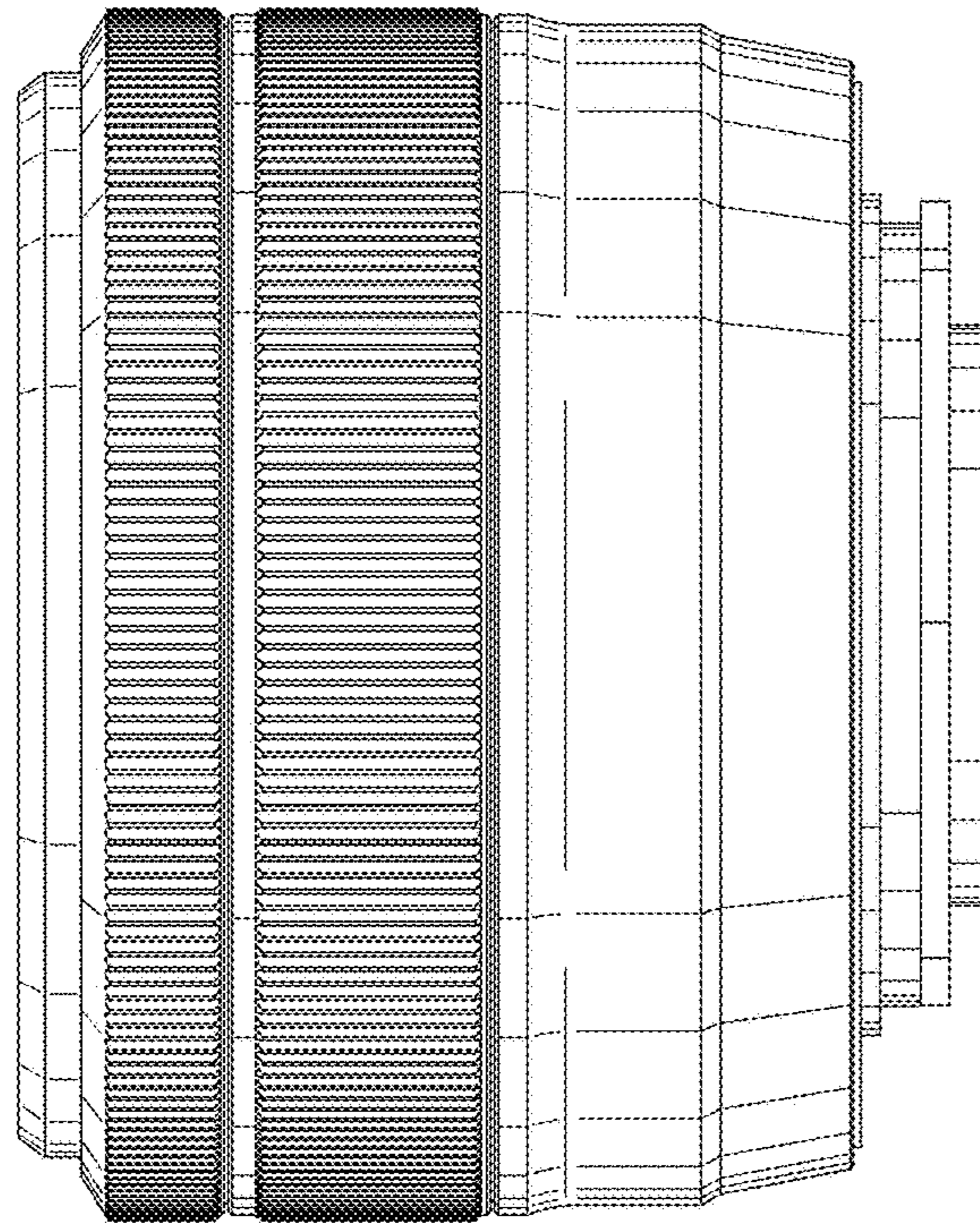
**FIG. 7**



**FIG. 8**



**FIG. 9**



**FIG. 10**

