



US00D879178S

(12) **United States Design Patent**  
**Tang et al.**

(10) **Patent No.:** **US D879,178 S**

(45) **Date of Patent:** **\*\* Mar. 24, 2020**

(54) **CAMERA**

(71) Applicant: **VIVOTEK INC.**, New Taipei (TW)

(72) Inventors: **Wei-Kai Tang**, New Taipei (TW);  
**Fang-Tzu Chang**, New Taipei (TW);  
**Shih-Hsuan Hung**, New Taipei (TW)

(73) Assignee: **VIVOTEK INC.**, New Taipei (TW)

(\*\*) Term: **15 Years**

(21) Appl. No.: **29/617,633**

(22) Filed: **Sep. 15, 2017**

(30) **Foreign Application Priority Data**

Mar. 27, 2017 (TW) ..... 106301560

(51) **LOC (12) Cl.** ..... **16-01**

(52) **U.S. Cl.**  
USPC ..... **D16/218**

(58) **Field of Classification Search**

USPC ..... D16/200, 202–206, 208, 218, 219, 242;  
348/143, 148, 151, 373–376; 396/419,  
396/427, 535, 539–541

CPC ..... G03B 17/02; G03B 19/04; G03B 17/56;  
G03B 17/04; G03B 15/03; H04N 5/2251;  
H04N 5/2252; H04N 5/2253; H04N  
5/2254; H04N 7/181; H04N 7/183; H04N  
7/18; G08B 13/1963; G08B 13/19619;  
G08B 13/19632

See application file for complete search history.

(56) **References Cited**

**U.S. PATENT DOCUMENTS**

D429,269 S \* 8/2000 Renkis ..... D16/202  
D477,345 S \* 7/2003 Hildreth ..... D16/203

D486,509 S \* 2/2004 Suzuki ..... D16/202  
D501,494 S \* 2/2005 Ogura ..... D16/202  
D532,809 S \* 11/2006 Shih ..... D16/218  
D536,357 S \* 2/2007 Koby ..... D16/203  
D550,267 S \* 9/2007 Oh ..... D16/202  
D564,559 S \* 3/2008 Stephens ..... D16/208  
D643,056 S \* 8/2011 Zaliauskas ..... D16/202  
D651,632 S \* 1/2012 Kim ..... D16/202  
D721,113 S \* 1/2015 Huang ..... D16/202  
D721,114 S \* 1/2015 Nuk ..... D16/202  
D794,694 S \* 8/2017 Liu ..... D16/203

\* cited by examiner

*Primary Examiner* — Ramzi S Almatrahi

(74) *Attorney, Agent, or Firm* — Winston Hsu

(57) **CLAIM**

The ornamental design for a camera, as shown and described.

**DESCRIPTION**

FIG. 1 is a perspective view of a camera showing our new design;

FIG. 2 is a front view thereof;

FIG. 3 is a rear view thereof;

FIG. 4 is a left side view thereof;

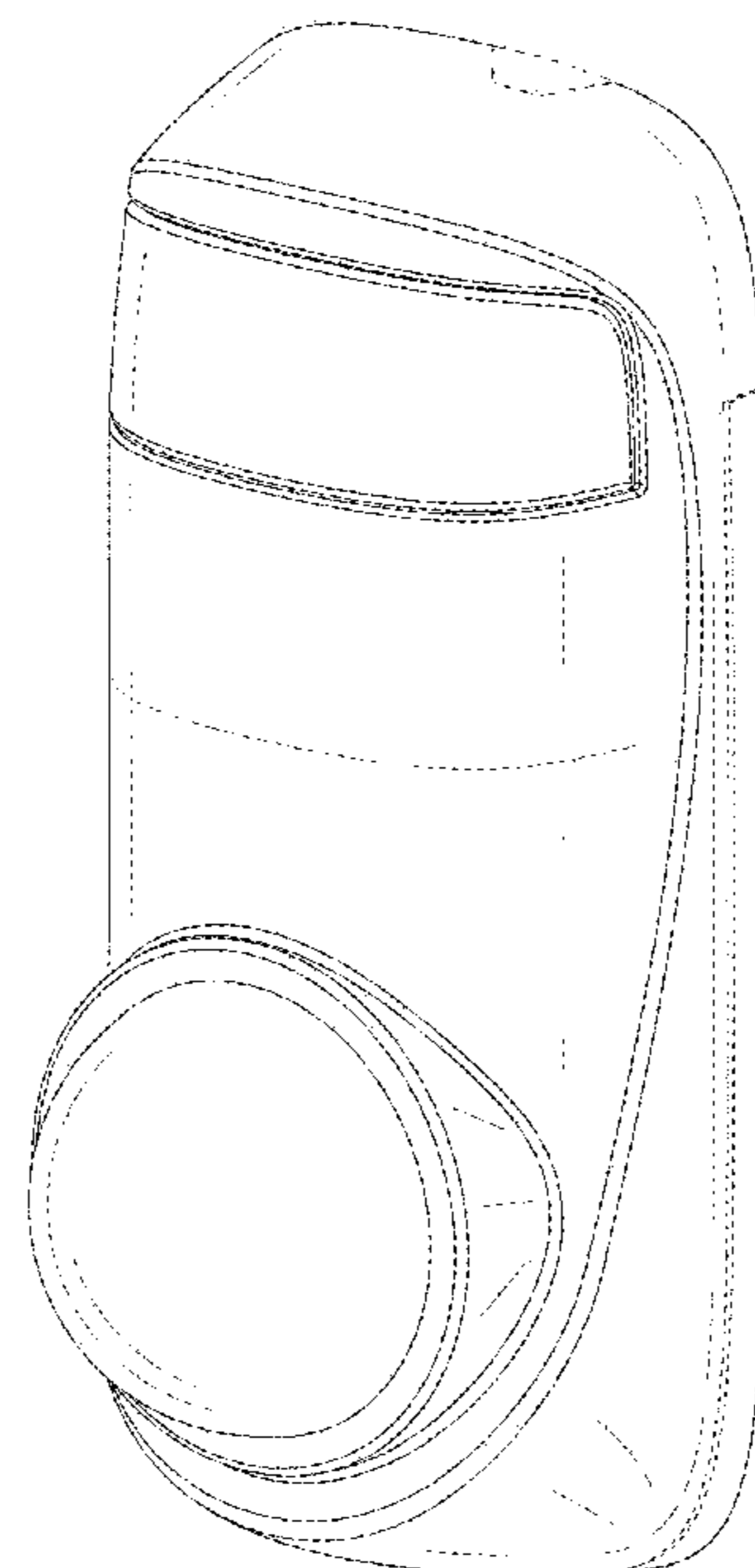
FIG. 5 is a right side view thereof;

FIG. 6 is a top view thereof; and,

FIG. 7 is a bottom view thereof.

The broken lines depict portions of the camera that form no part of the claimed design.

**1 Claim, 7 Drawing Sheets**



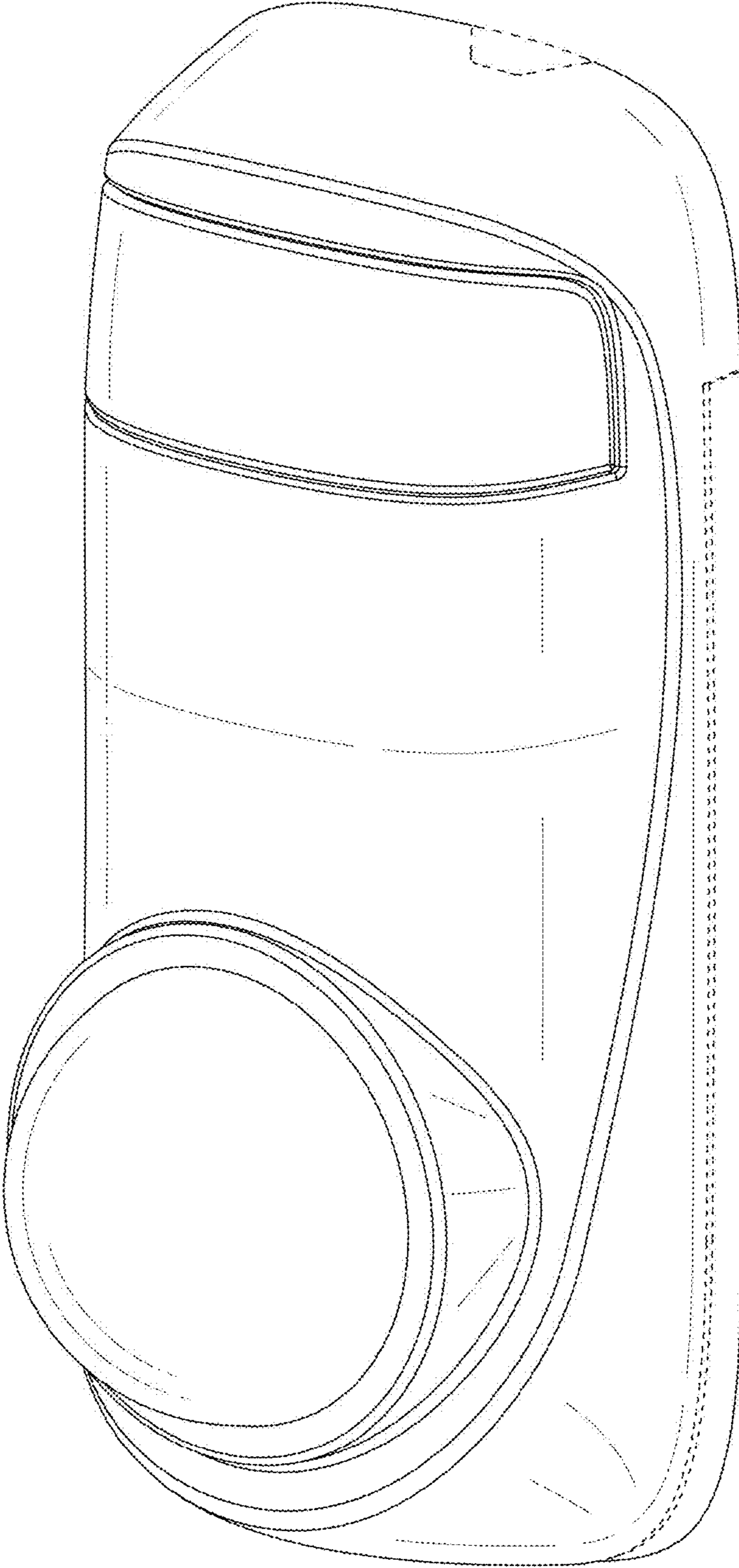


FIG. 1

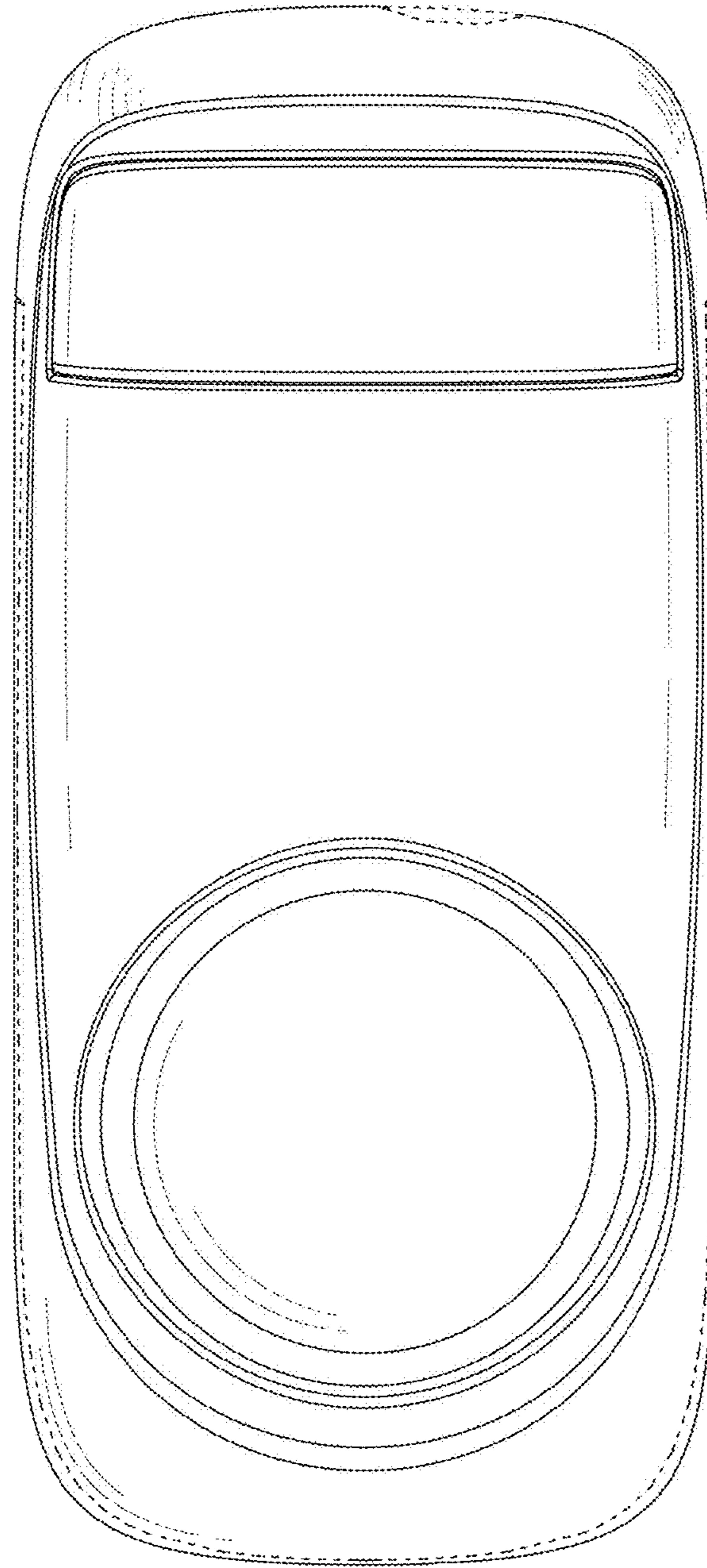


FIG. 2



FIG. 3

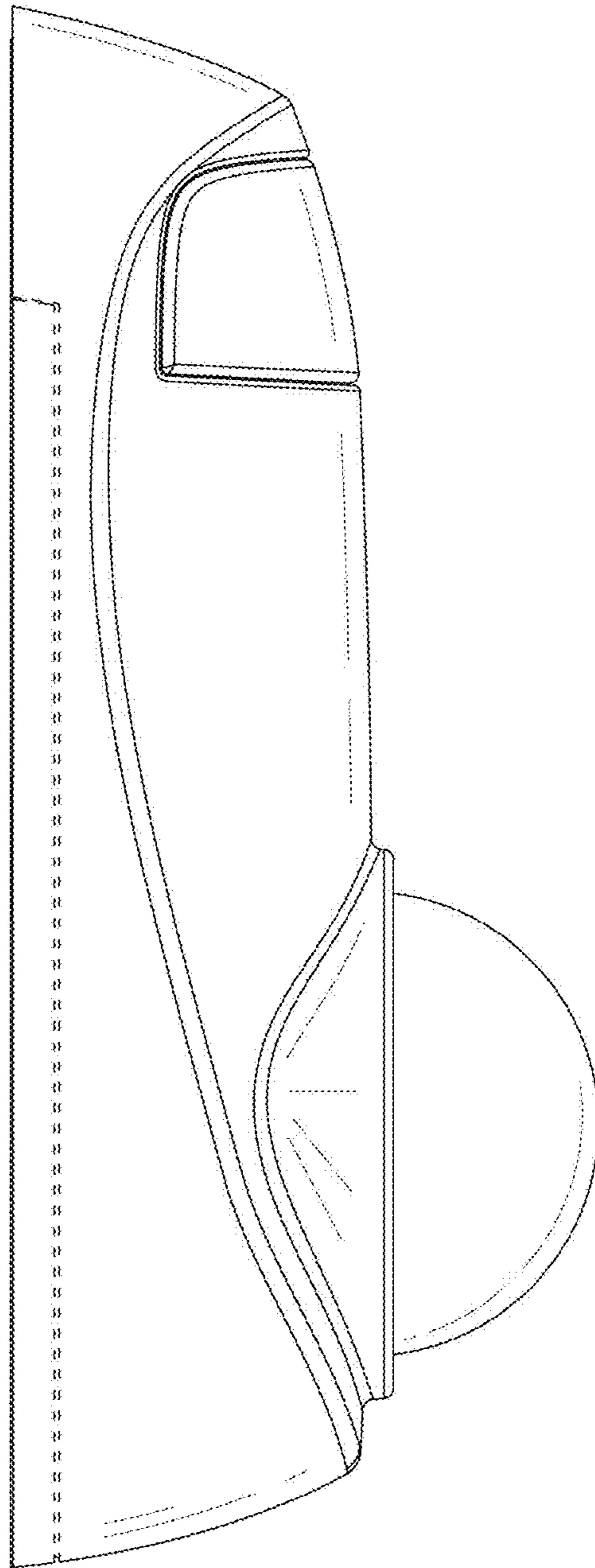


FIG. 4

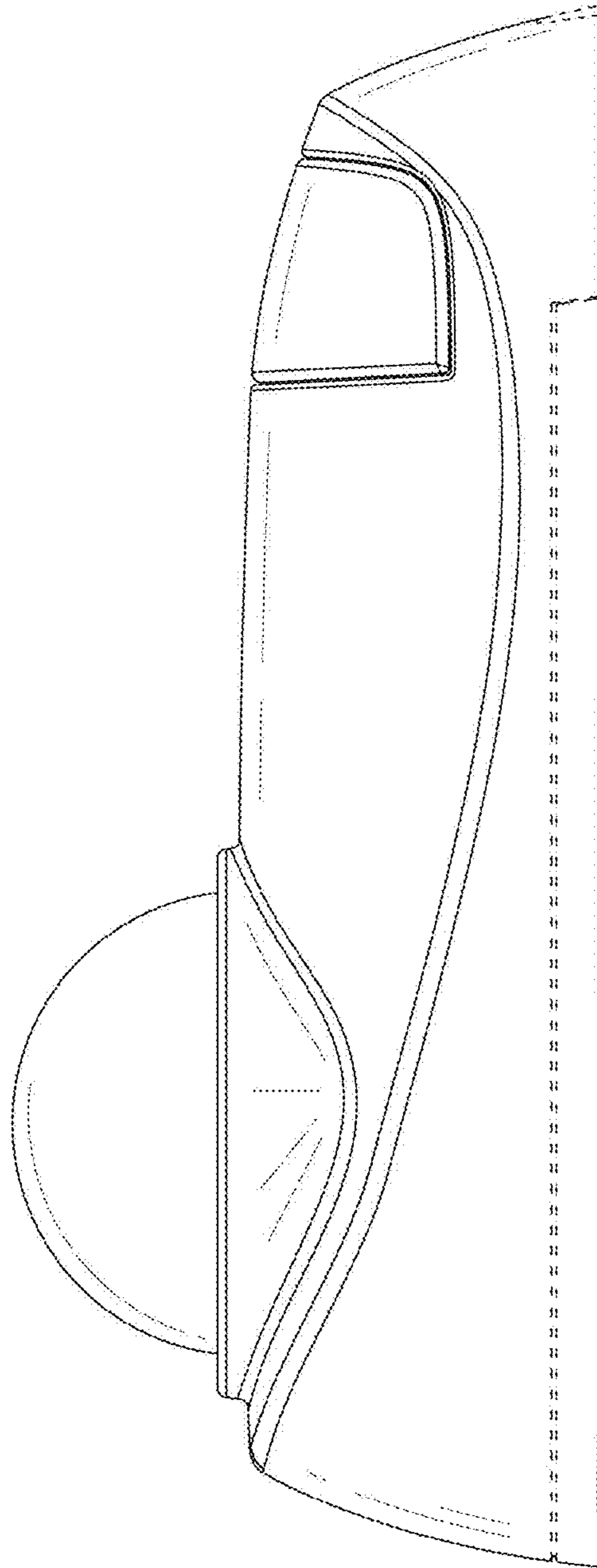


FIG. 5

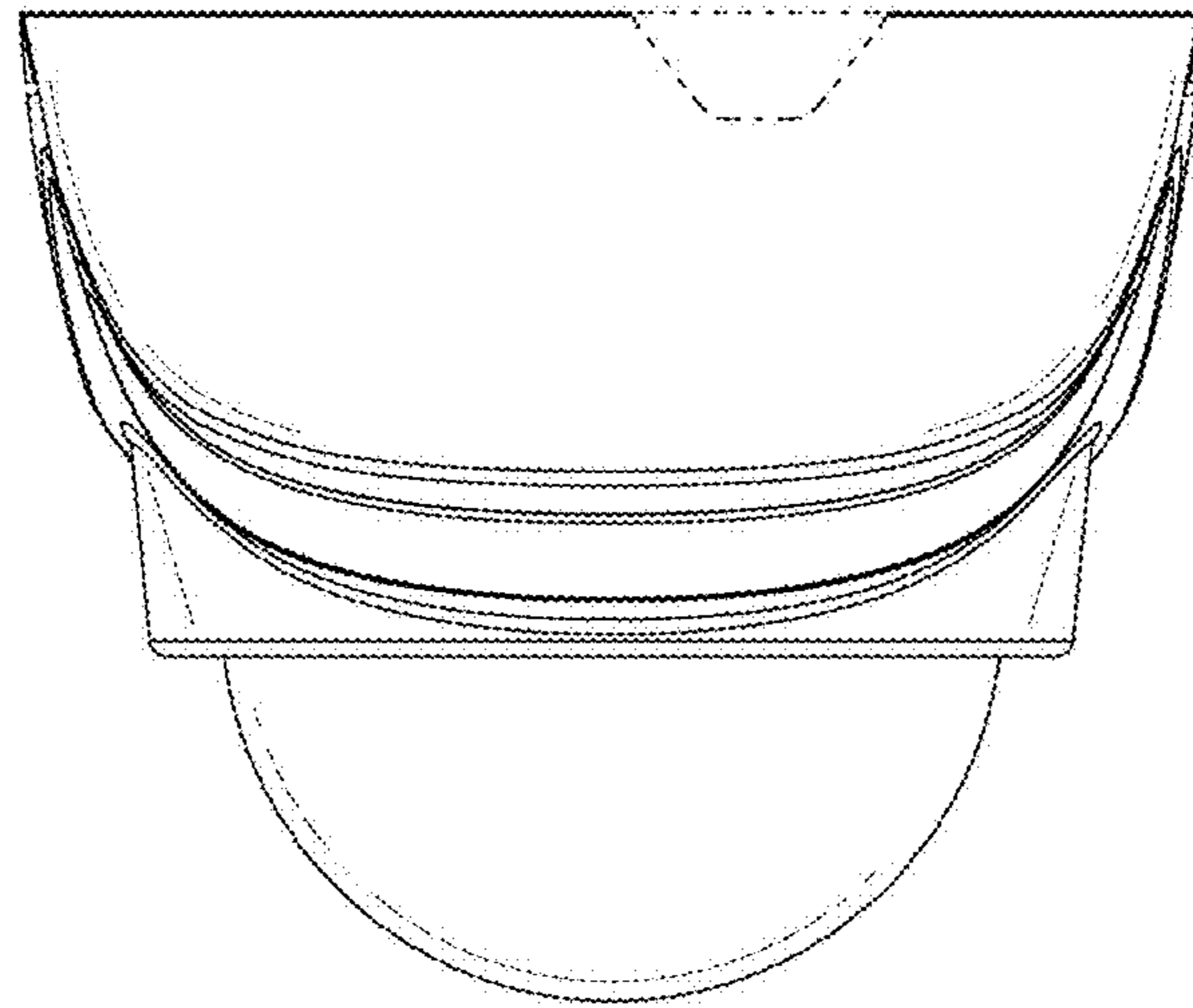


FIG. 6

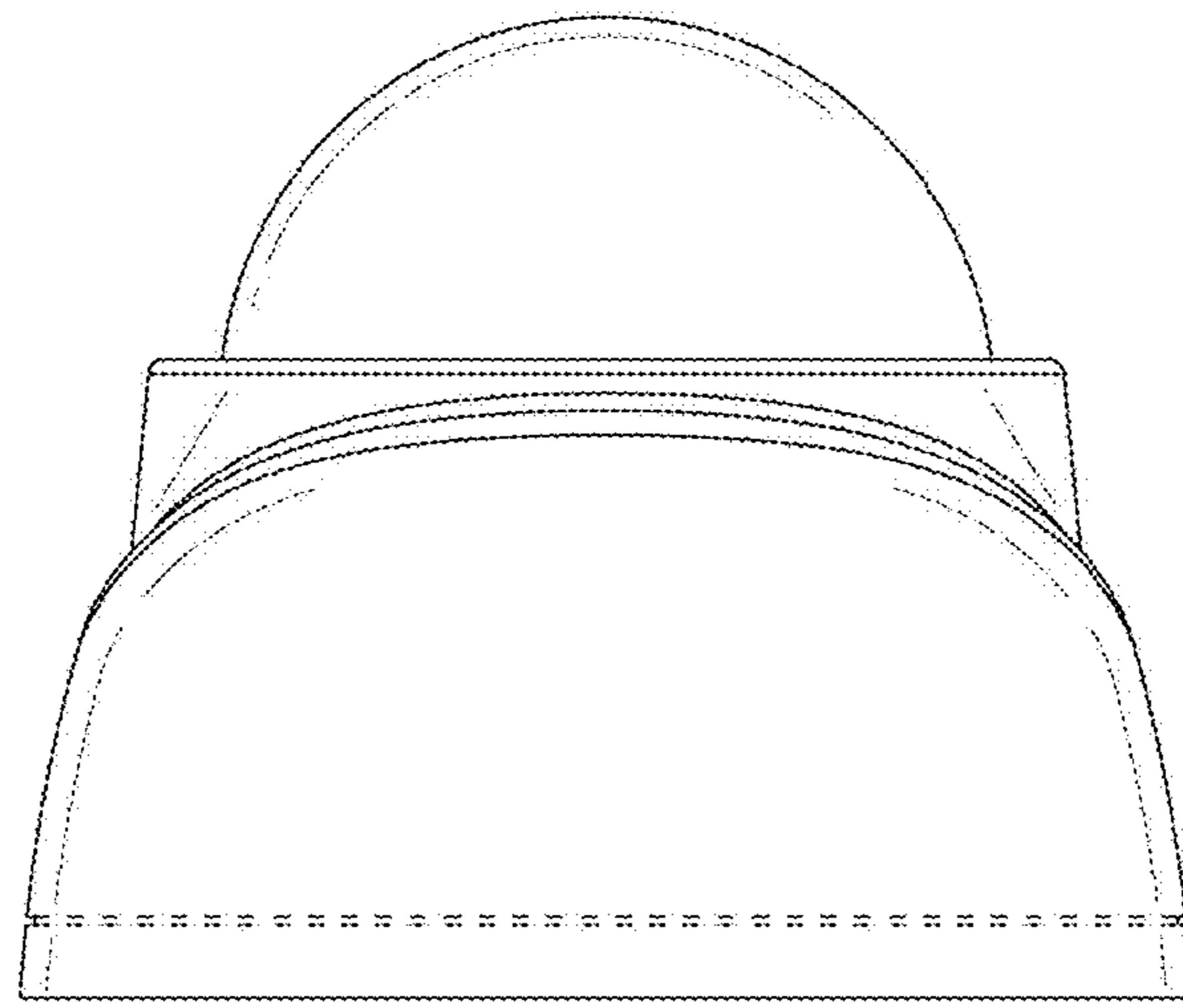


FIG. 7