



US00D879177S

(12) **United States Design Patent**  
**Siminoff et al.**

(10) **Patent No.:** **US D879,177 S**  
(45) **Date of Patent:** **\*\* Mar. 24, 2020**

(54) **SECURITY CAMERA**

(71) Applicant: **AMAZON TECHNOLOGIES, INC.**,  
Seattle, WA (US)

(72) Inventors: **Mark Siminoff**, Mountain View, CA  
(US); **Christopher Loew**, Palo Alto,  
CA (US); **Matthew J. England**, Santa  
Monica, CA (US)

(73) Assignee: **Amazon Technologies, Inc.**, Seattle,  
WA (US)

(\*\*) Term: **15 Years**

(21) Appl. No.: **29/706,047**

(22) Filed: **Sep. 17, 2019**

**Related U.S. Application Data**

(62) Division of application No. 29/658,141, filed on Jul.  
27, 2018.

(51) **LOC (12) Cl.** ..... **16-01**

(52) **U.S. Cl.**

USPC ..... **D16/203**

(58) **Field of Classification Search**

USPC ..... D16/200, 202–206, 208, 218, 219, 242;  
348/143, 148, 151, 373–376; 396/419,  
396/427, 535, 539–541

(Continued)

(56) **References Cited**

**U.S. PATENT DOCUMENTS**

D349,714 S \* 8/1994 Hasegawa ..... D16/203  
D518,080 S \* 3/2006 Uehara ..... D16/202

(Continued)

*Primary Examiner* — Ramzi S Almatrahi

(74) *Attorney, Agent, or Firm* — Lathrop GPM LLP

(57) **CLAIM**

The ornamental design for a security camera, as shown and  
described.

**DESCRIPTION**

FIG. 1 is a front perspective view of a security camera  
according to a first embodiment of the present design with  
the stand of the security camera in a first configuration;

FIG. 2 is a front elevational view of the security camera of  
FIG. 1;

FIG. 3 is a rear elevational view of the security camera of  
FIG. 1;

FIG. 4 is a left-side elevational view of the security camera  
of FIG. 1;

FIG. 5 is a right-side elevational view of the security camera  
of FIG. 1;

FIG. 6 is a top plan view of the security camera of FIG. 1;

FIG. 7 is a bottom plan view of the security camera of FIG.  
1;

FIG. 8 is a front perspective view of the security camera  
according to the first embodiment of the present design with  
the stand of the security camera in a second configuration;

FIG. 9 is a rear elevational view of the security camera  
according to the first embodiment of the present design with  
the stand of the security camera in the second configuration  
of FIG. 8;

FIG. 10 is a front perspective view of the security camera  
according to a second embodiment of the present design  
with the stand of the security camera in a first configuration;

FIG. 11 is a front elevational view of the security camera of  
FIG. 10;

FIG. 12 is a rear elevational view of the security camera of  
FIG. 10;

FIG. 13 is a left-side elevational view of the security camera  
of FIG. 10;

FIG. 14 is a right-side elevational view of the security  
camera of FIG. 10;

FIG. 15 is a top plan view of the security camera of FIG. 10;

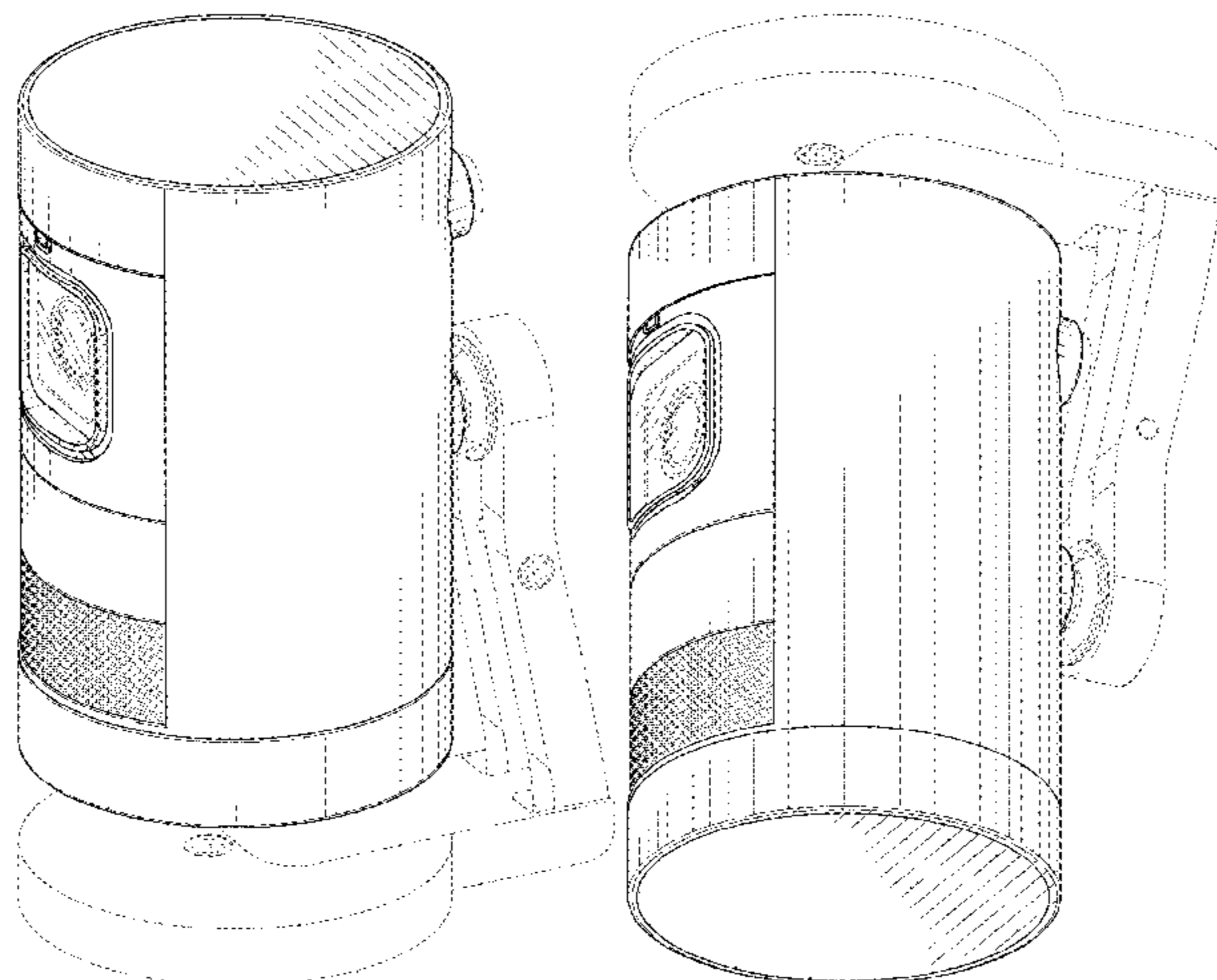
FIG. 16 is a bottom plan view of the security camera of FIG.  
10;

FIG. 17 is a front perspective view of the security camera  
according to the second embodiment of the present design  
with the stand of the security camera in a second configu-  
ration; and,

FIG. 18 is a rear elevational view of the security camera  
according to the second embodiment of the present design  
with the stand of the security camera in the second configu-  
ration of FIG. 17.

The broken lines depict portions of the security camera in  
which the design is embodied that form no part of the  
claimed design.

**1 Claim, 16 Drawing Sheets**



(58) **Field of Classification Search**

CPC ..... G03B 17/02; G03B 19/04; G03B 17/56;  
G03B 17/04; G03B 15/03; H04N 5/2251;  
H04N 5/2252; H04N 5/2253; H04N  
5/2254; H04N 7/181; H04N 7/183; H04N  
7/18; G08B 13/1963; G08B 13/19619;  
G08B 13/19632; F16M 11/04; F16M  
13/00

See application file for complete search history.

(56) **References Cited**

U.S. PATENT DOCUMENTS

D701,893	S	*	4/2014	Bart	.....	D16/203
D747,383	S	*	1/2016	Li	.....	D16/203
D781,361	S	*	3/2017	Dimitriadis	.....	D16/203
D795,941	S	*	8/2017	Dimitriadis	.....	D16/203
D798,935	S	*	10/2017	Dimitriadis	.....	D16/203
D810,169	S	*	2/2018	Bhattacharya	.....	D16/203
D818,515	S	*	5/2018	Laurans	.....	D16/203
D821,477	S	*	6/2018	Moon	.....	D16/203
D832,329	S	*	10/2018	Li	.....	D16/203
D834,631	S	*	11/2018	Park	.....	D16/203
D842,358	S	*	3/2019	Puric	.....	D16/203

\* cited by examiner

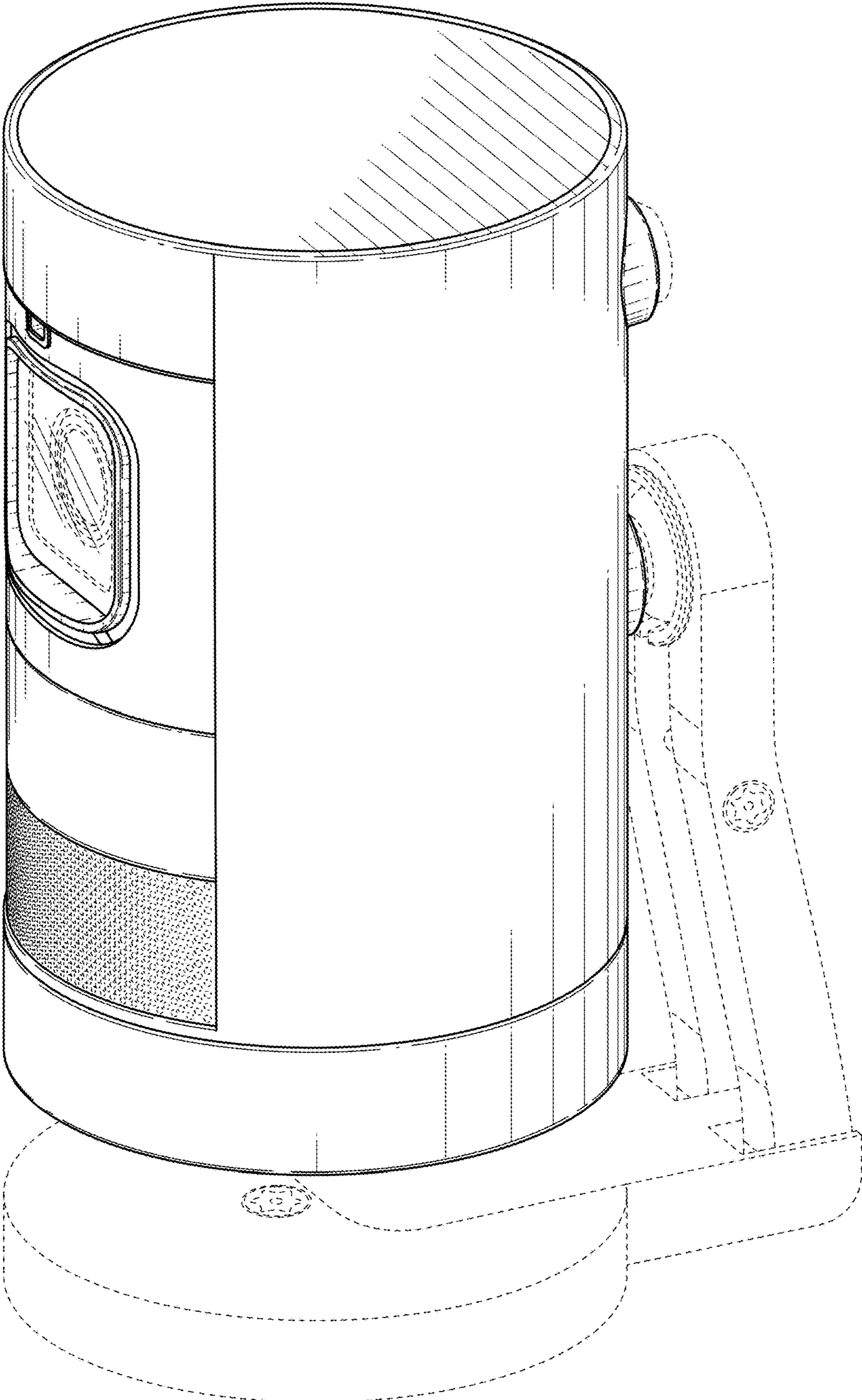


FIG. 1



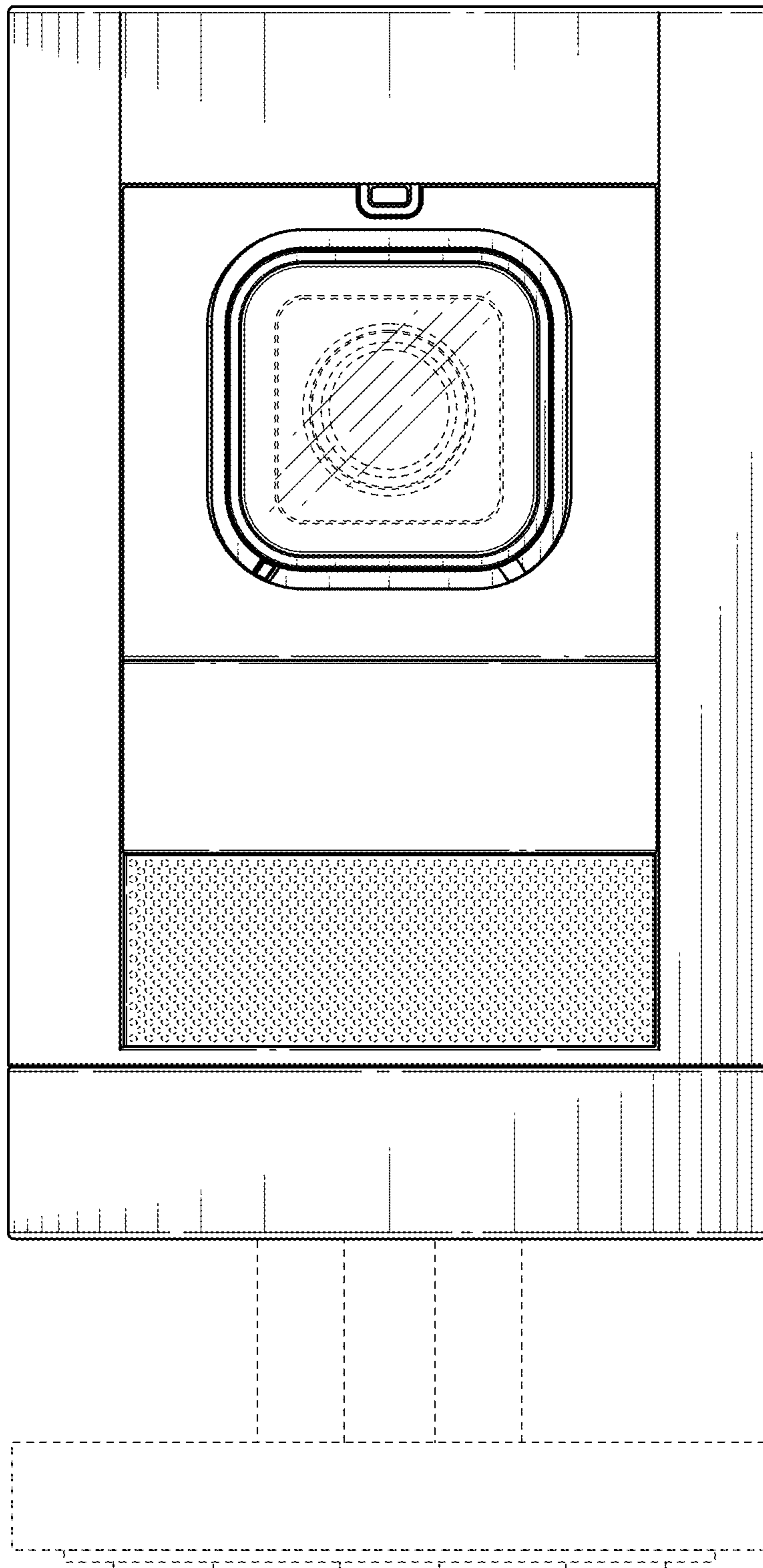


FIG. 2

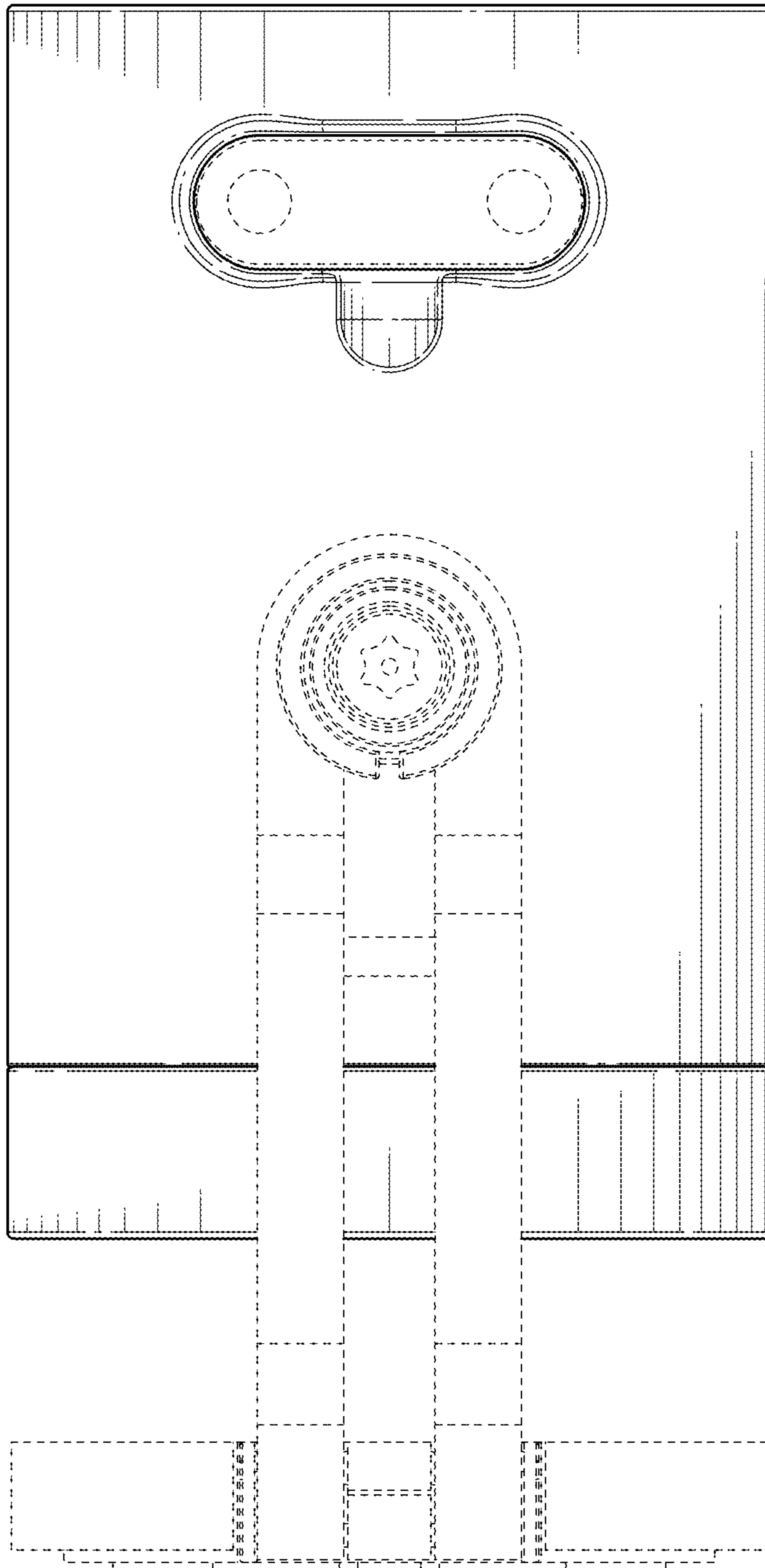


FIG. 3

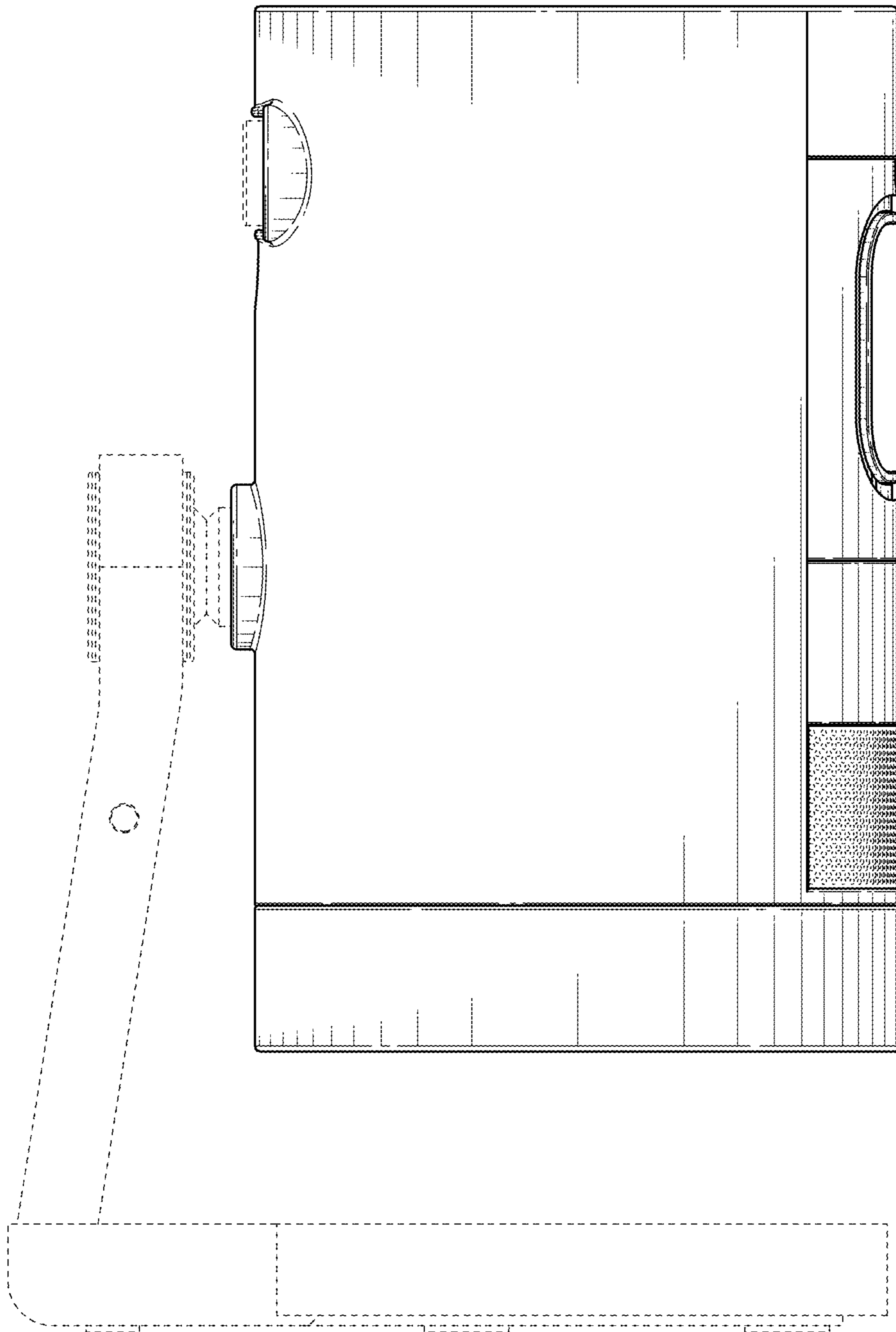


FIG. 4

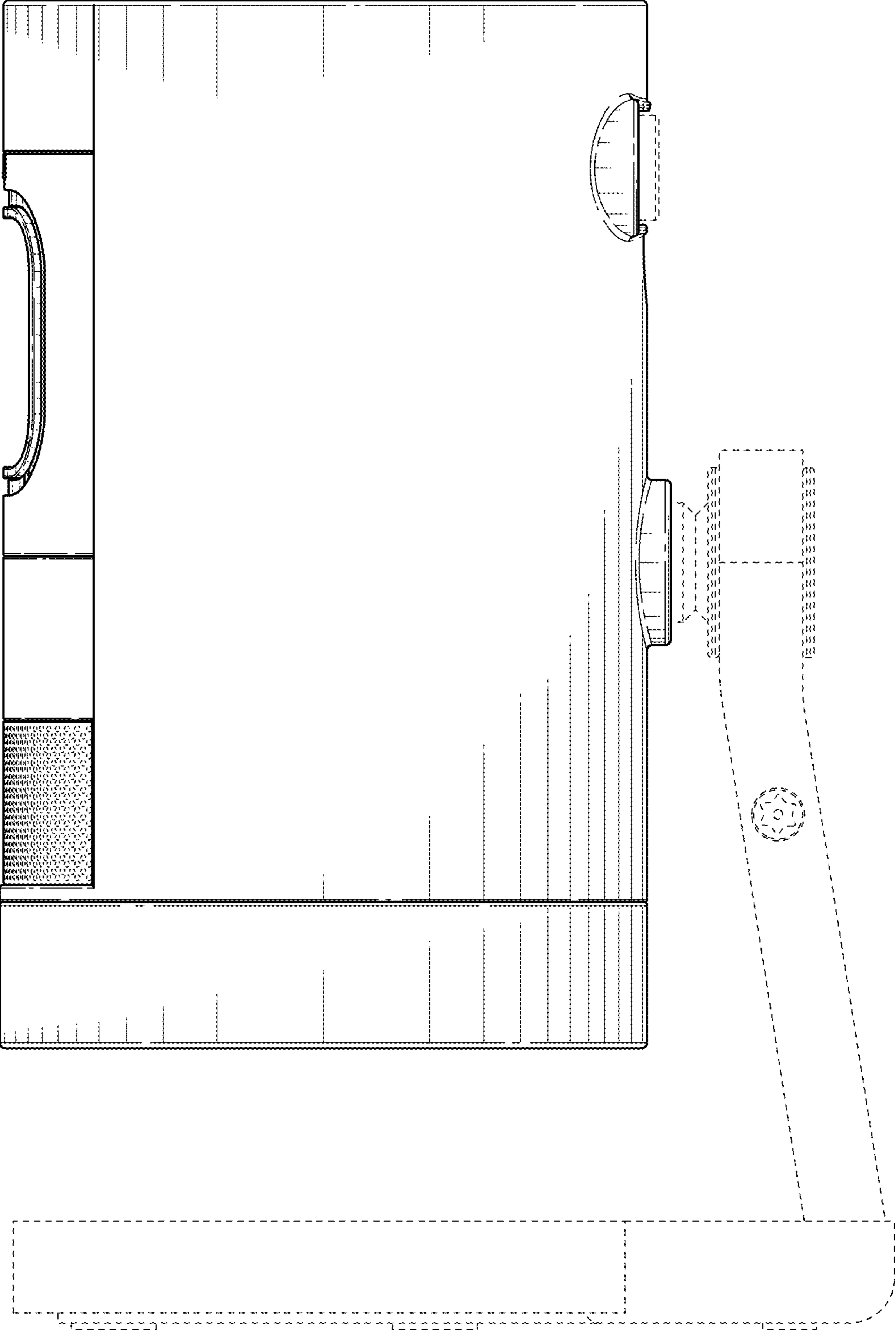


FIG. 5

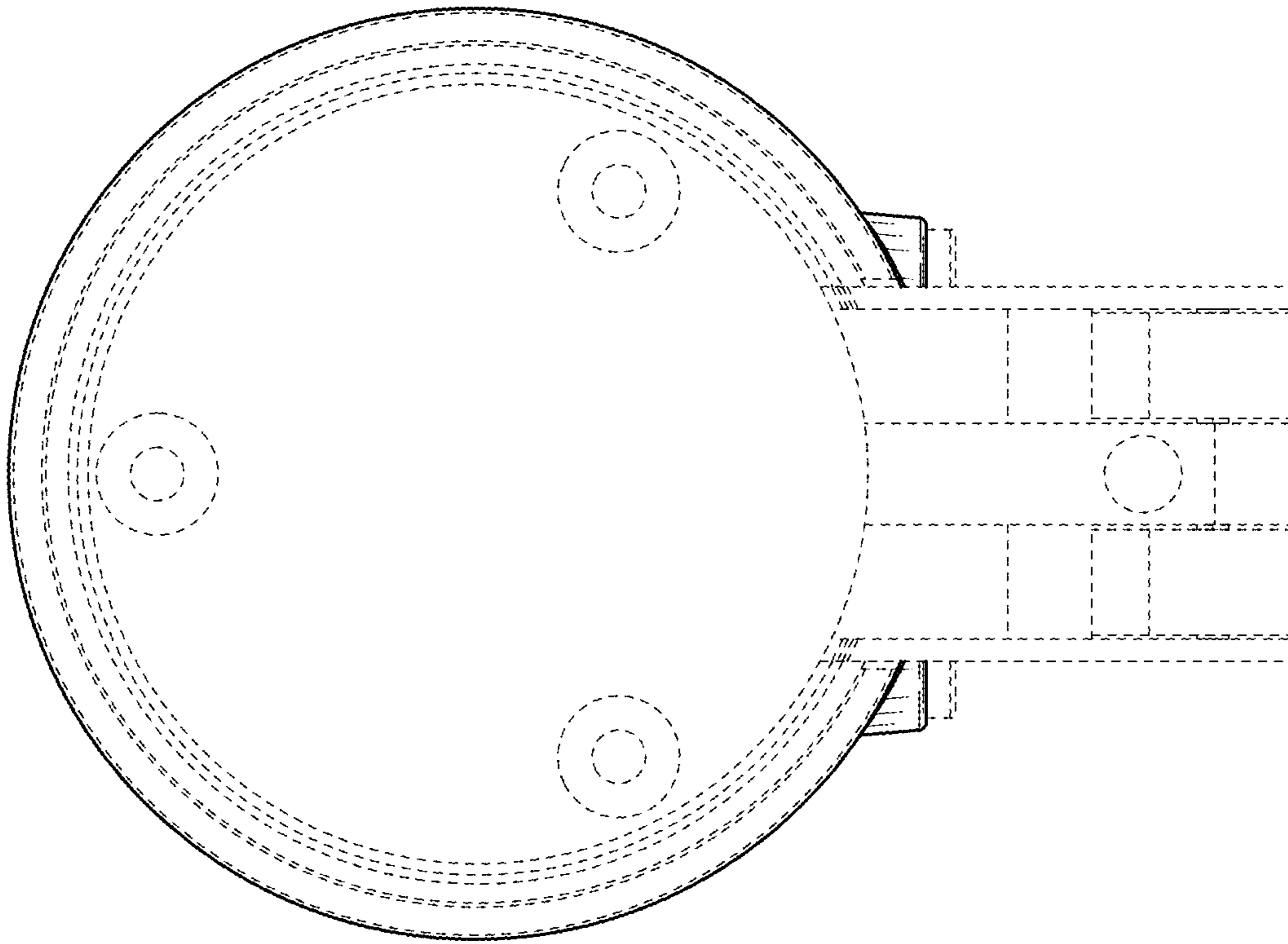


FIG. 6

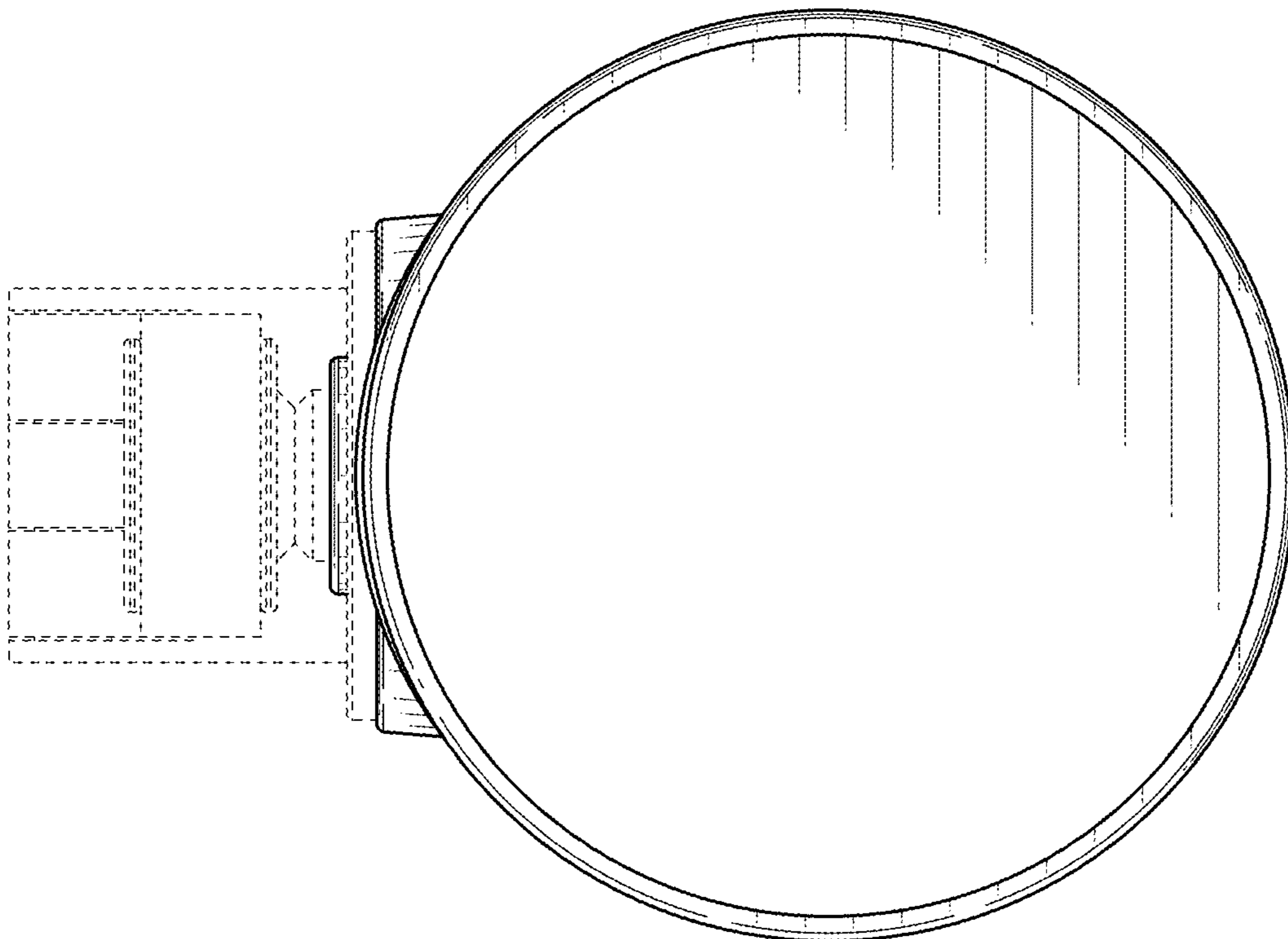


FIG. 7



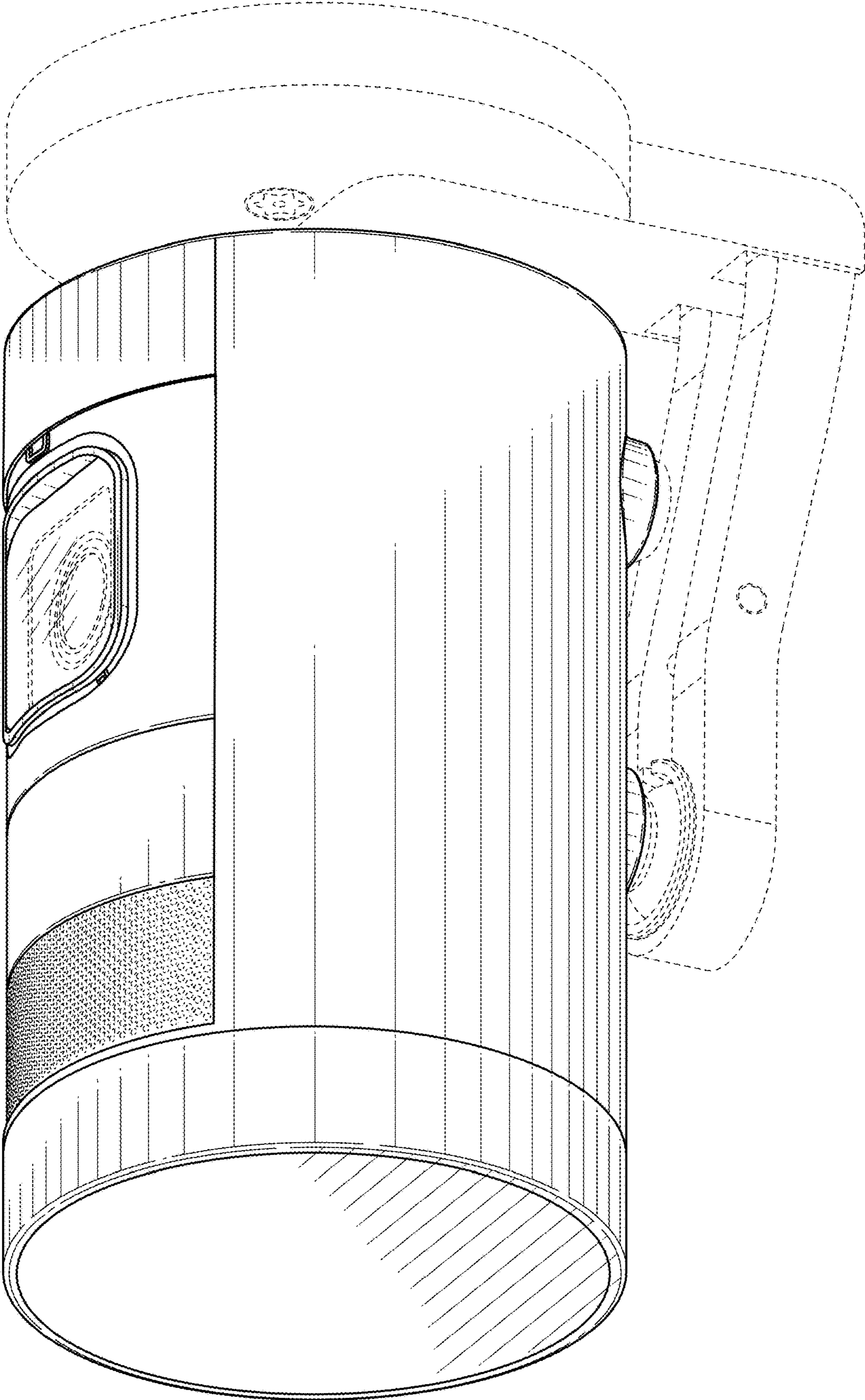


FIG. 8

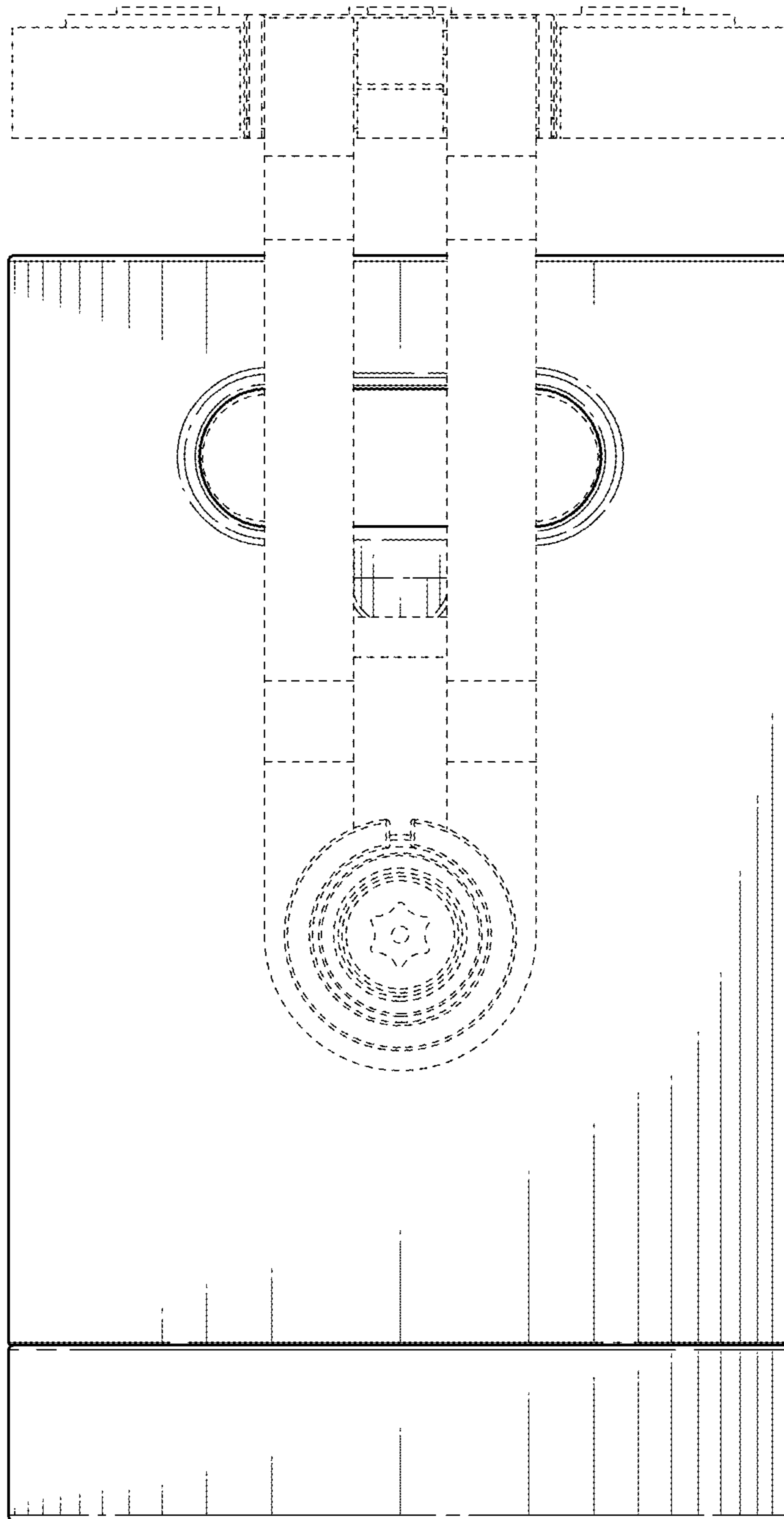


FIG. 9

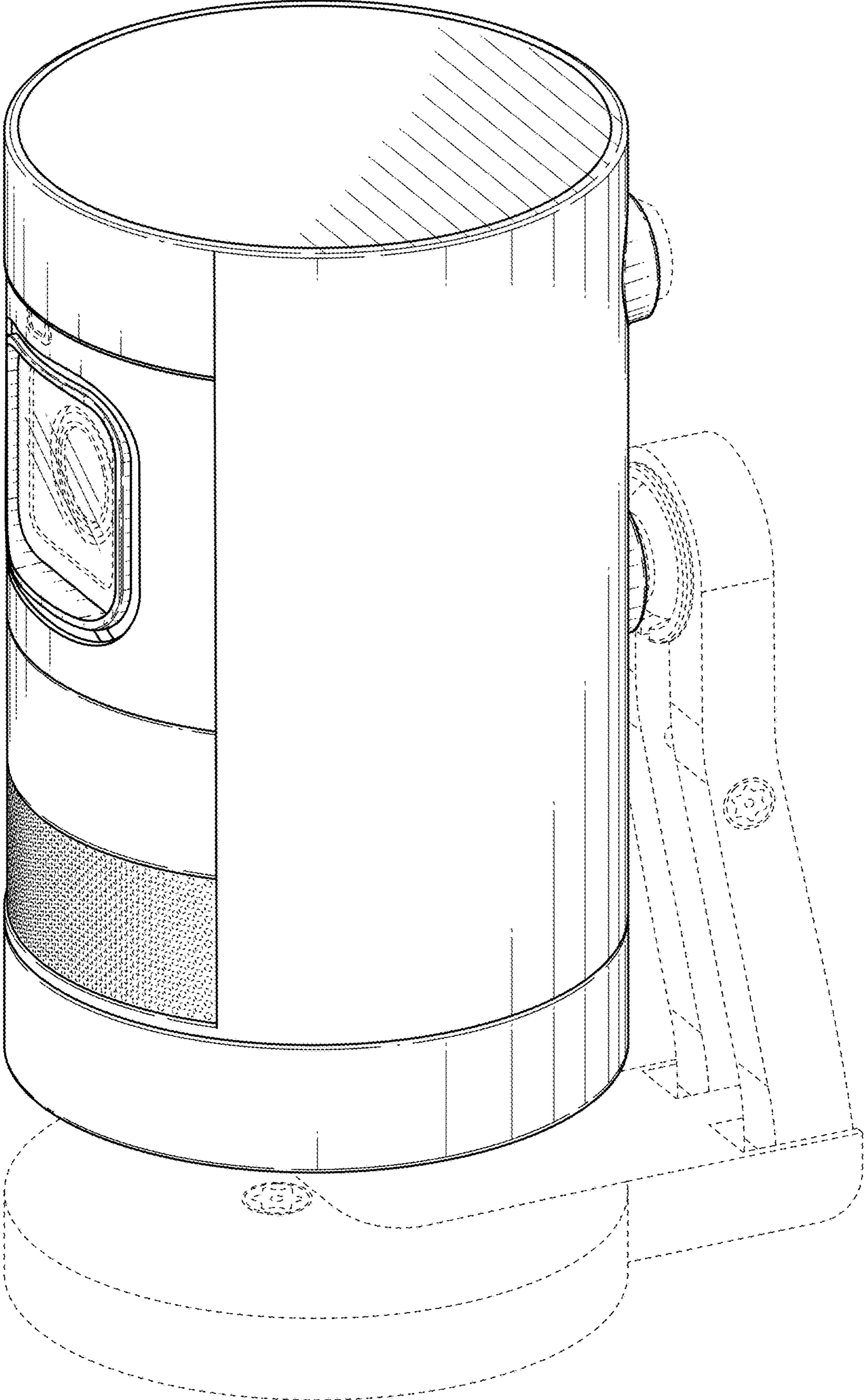


FIG. 10



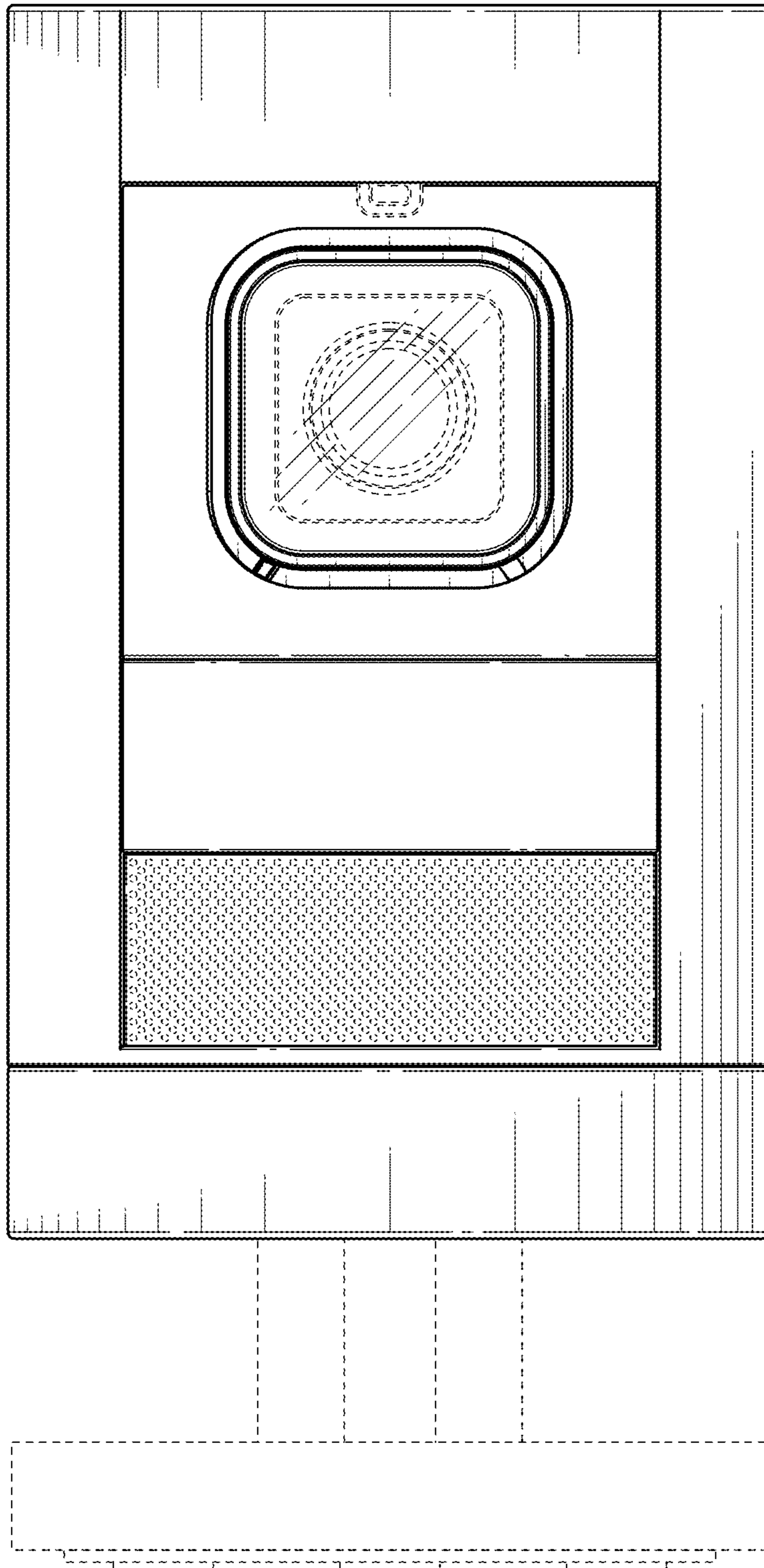


FIG. 11



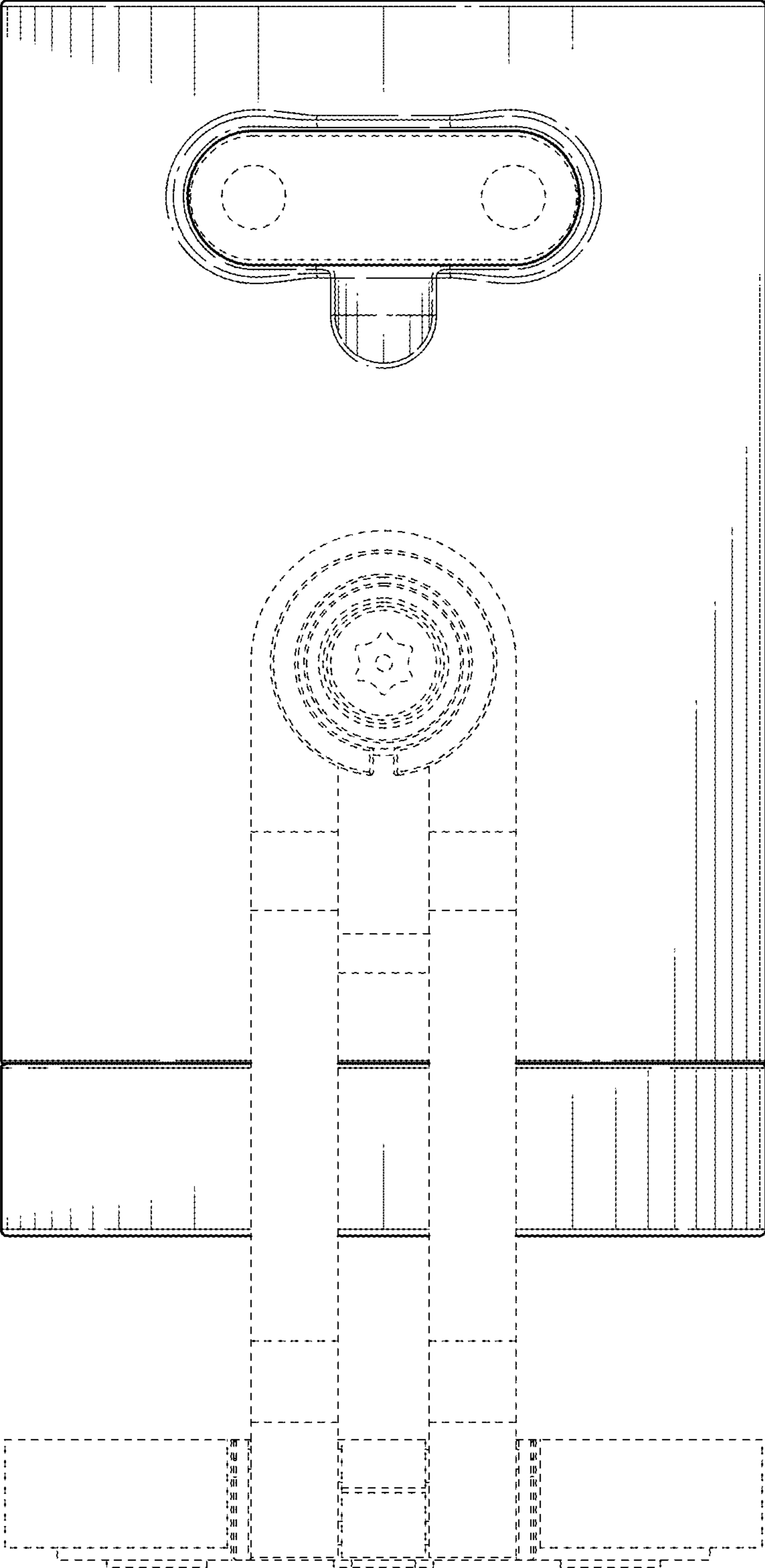


FIG. 12

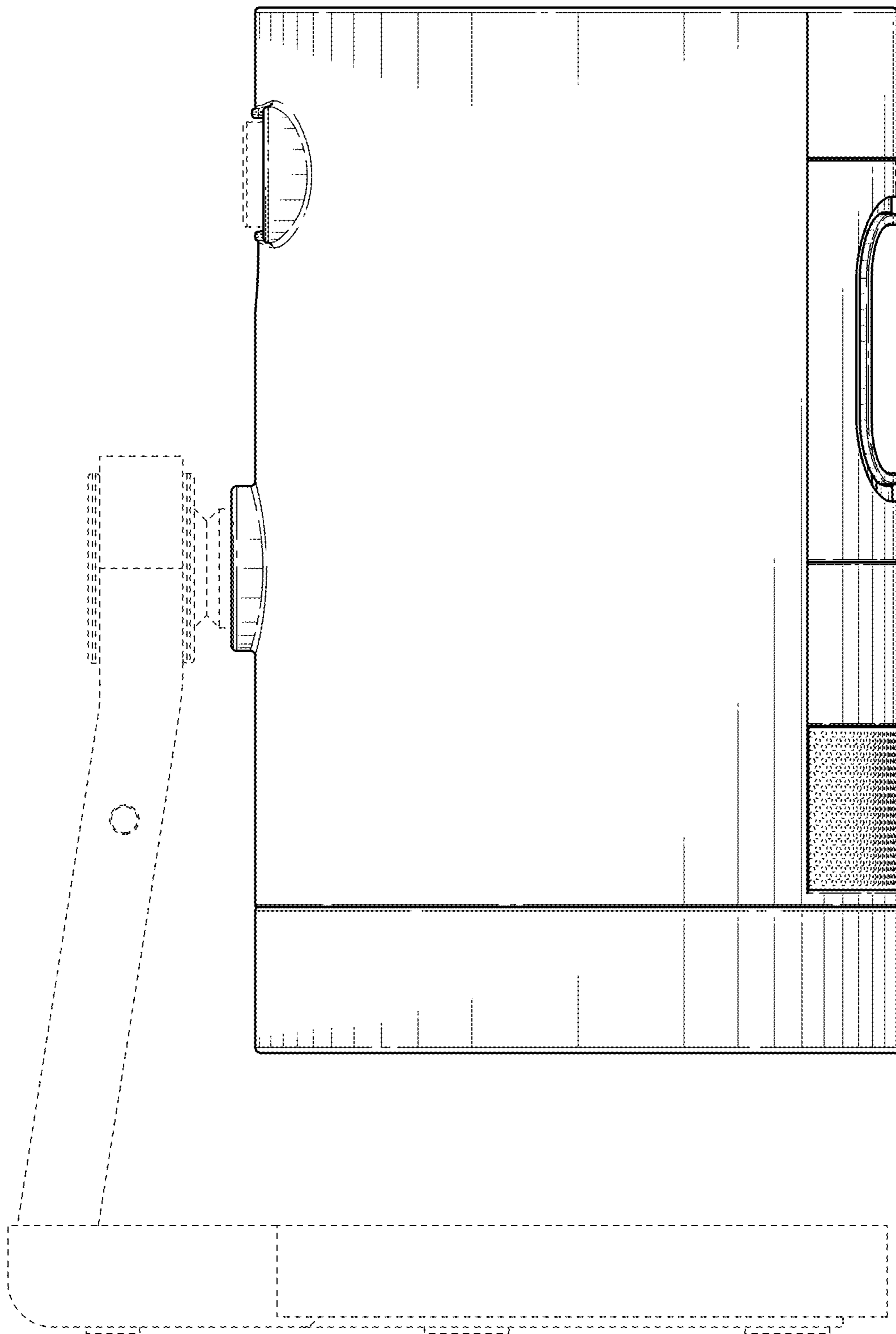


FIG. 13

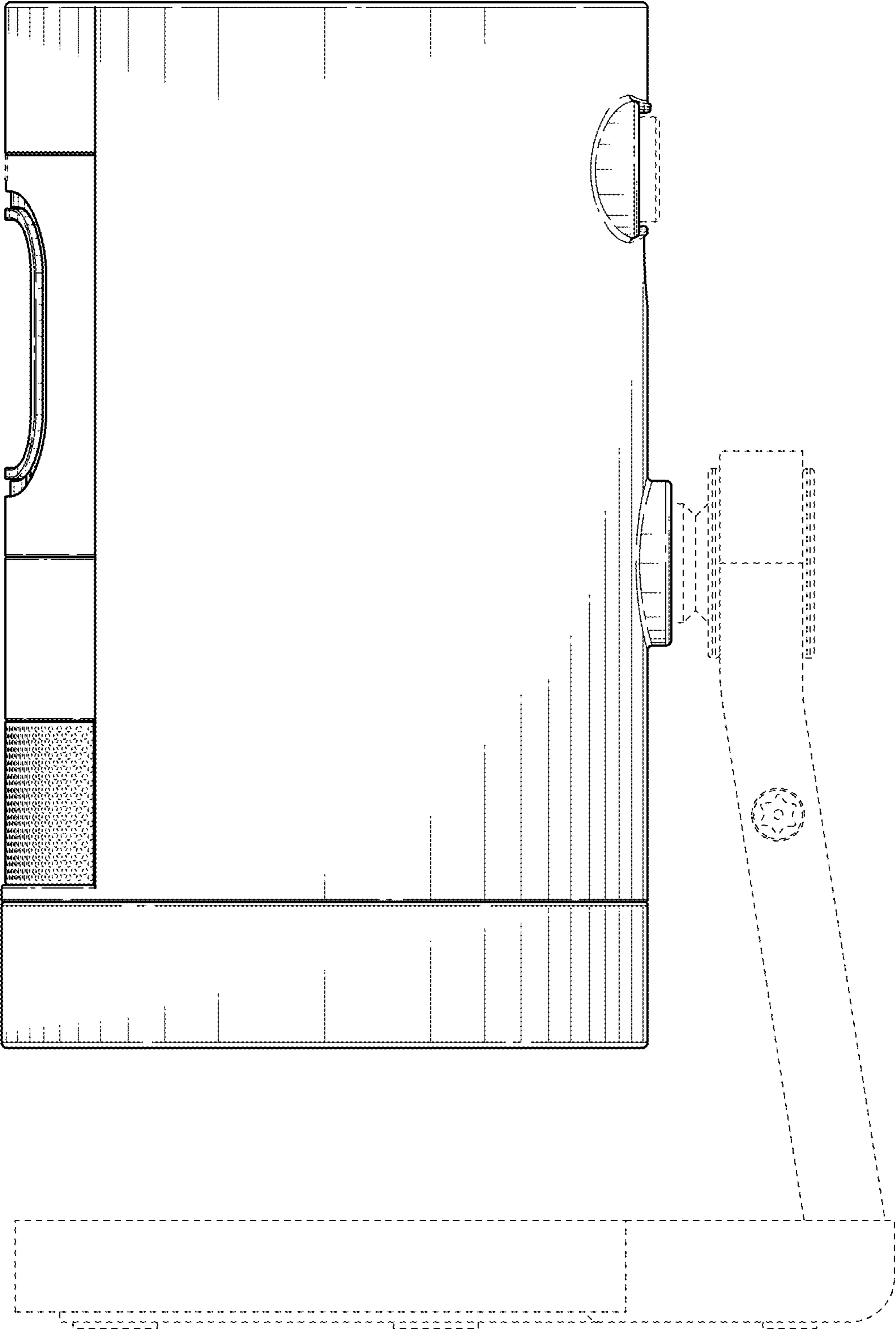


FIG. 14

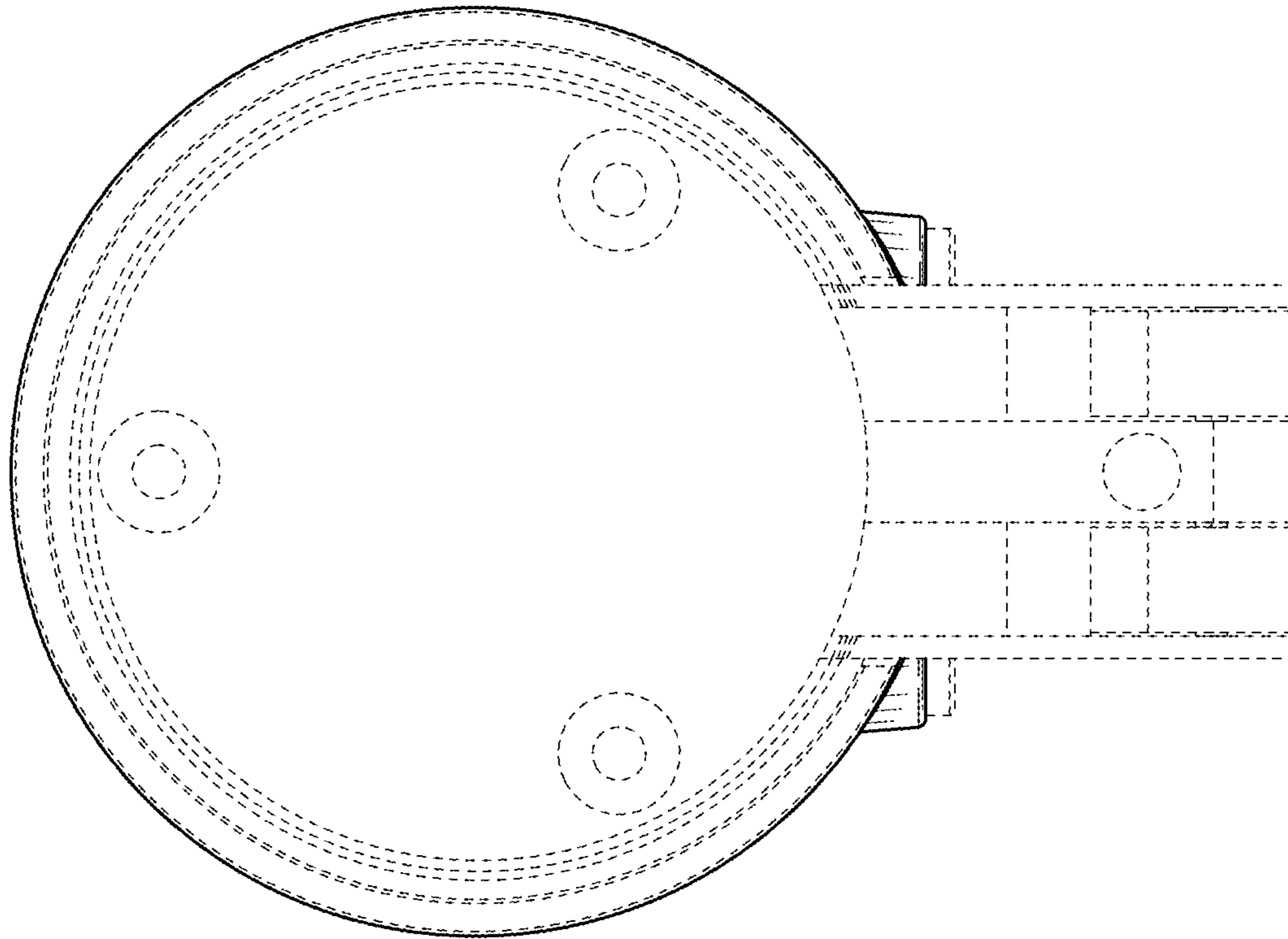


FIG. 16

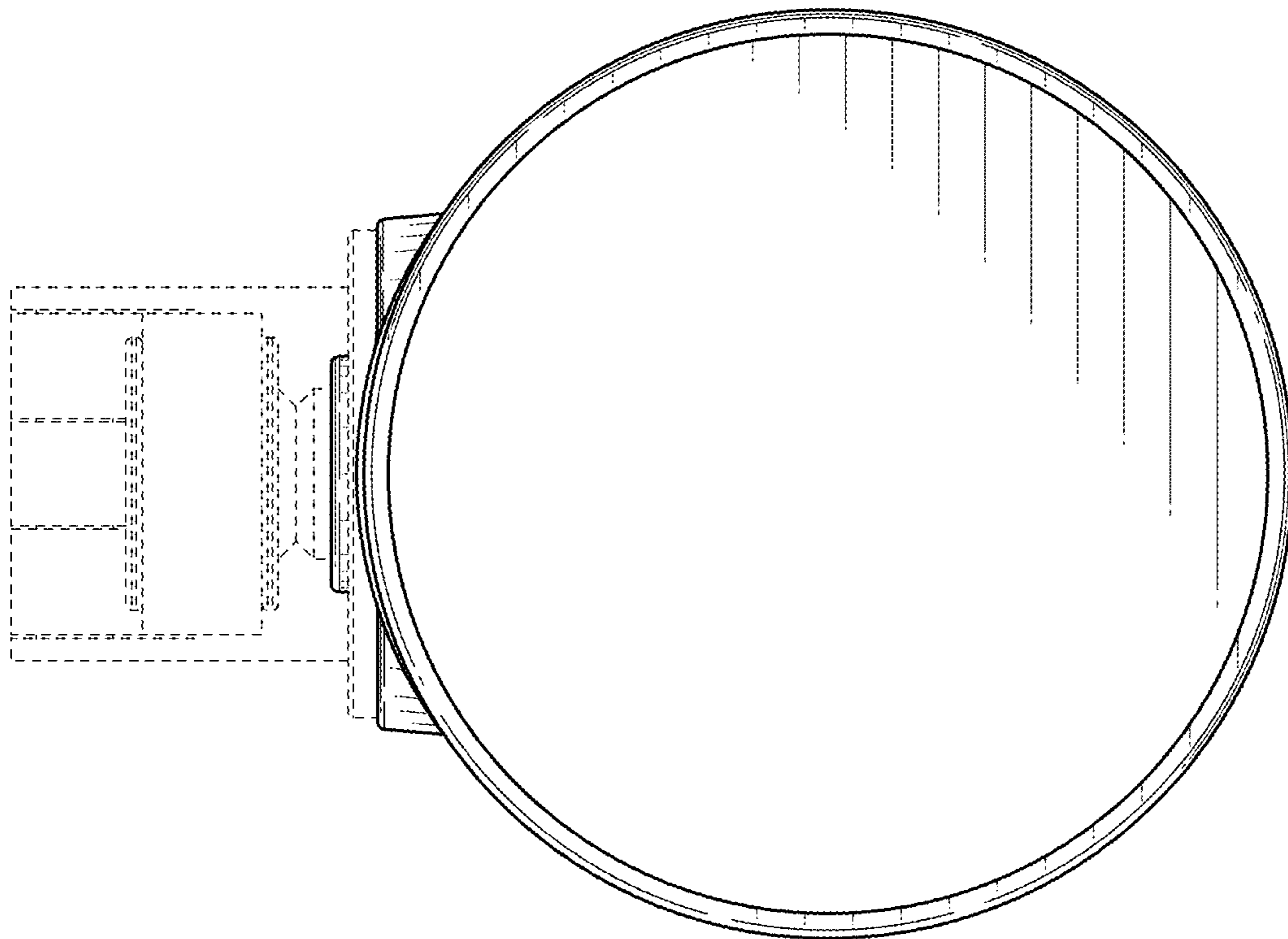


FIG. 15



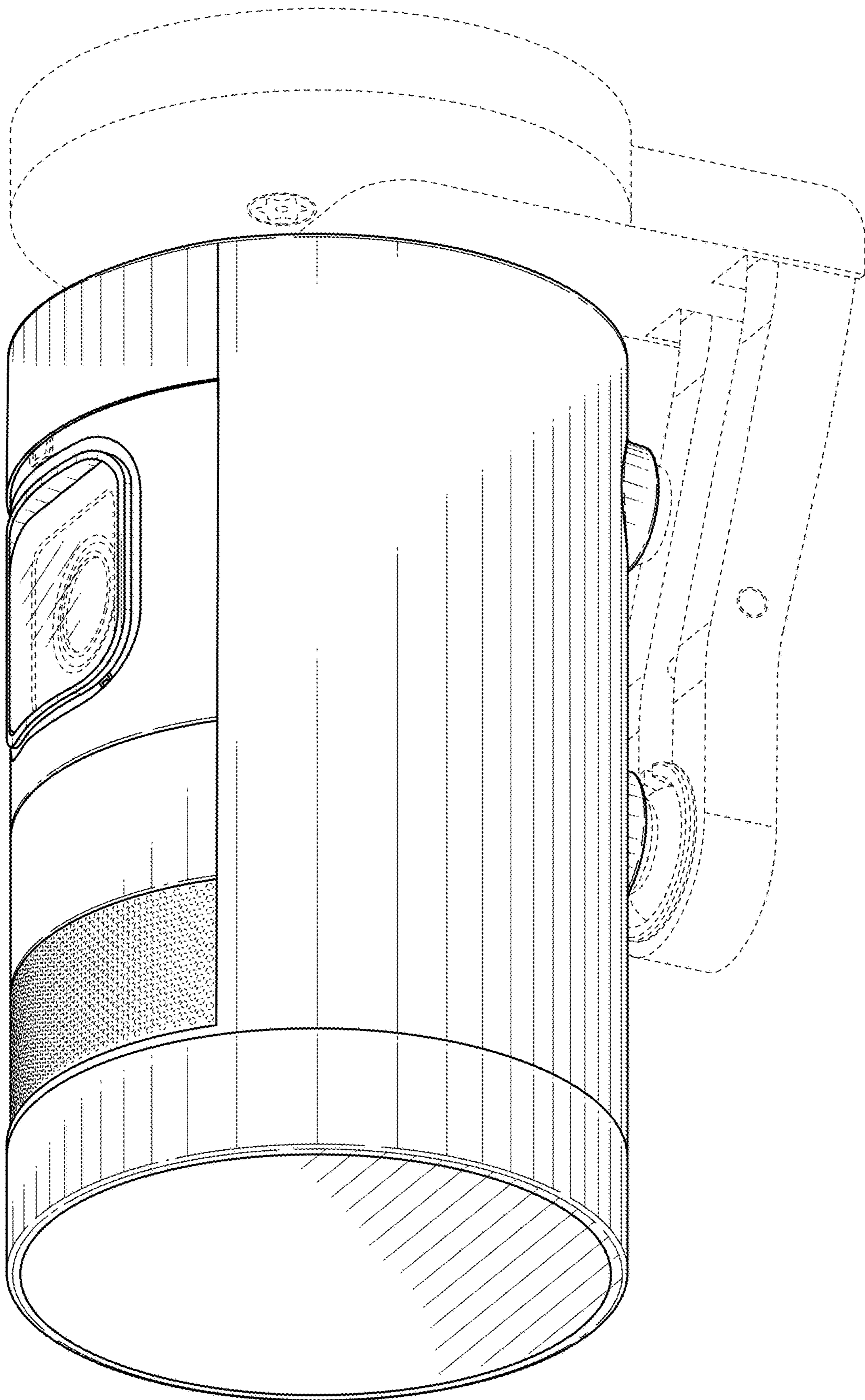


FIG. 17

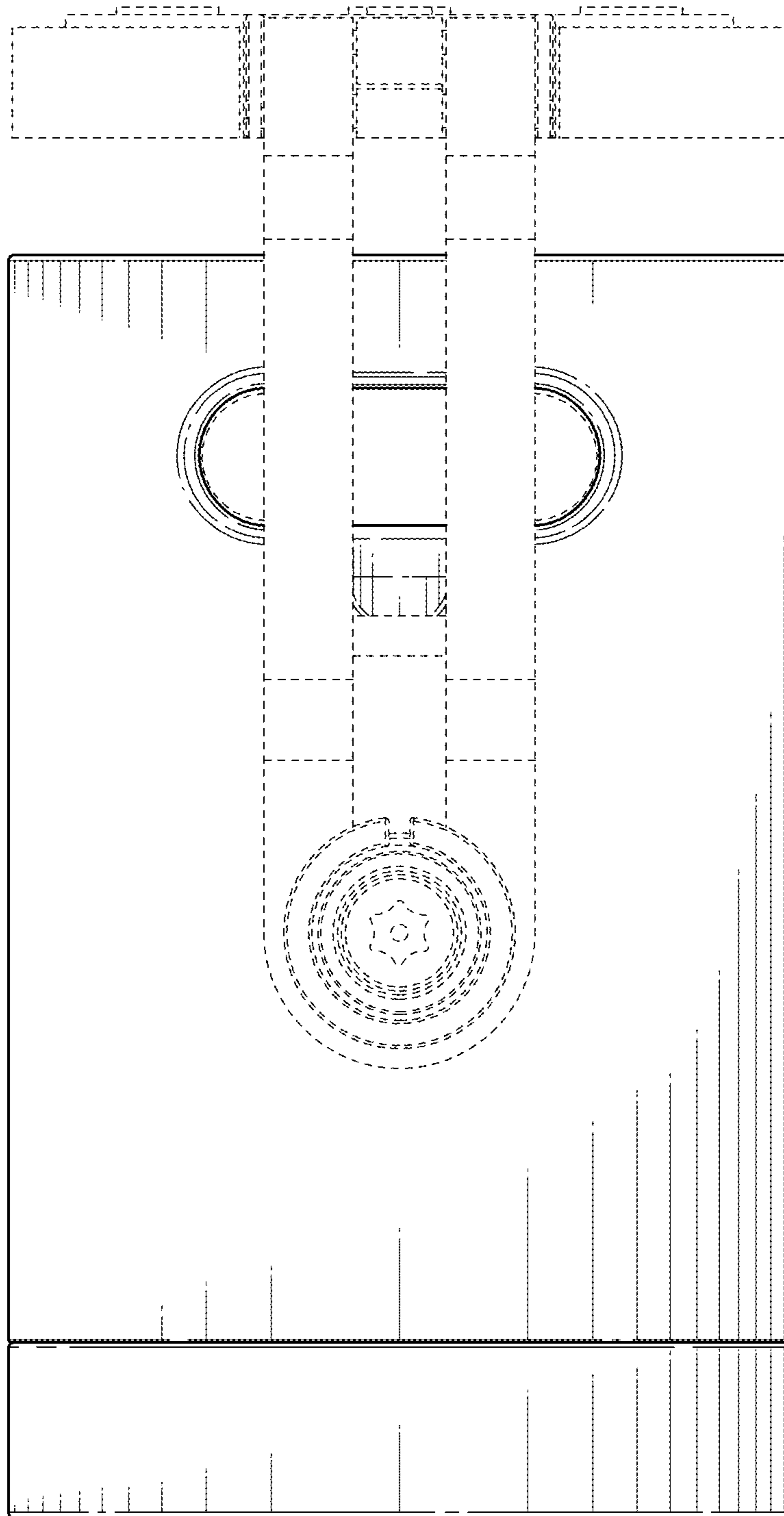


FIG. 18