



US00D879176S

(12) **United States Design Patent**  
**Tang et al.**

(10) **Patent No.:** **US D879,176 S**

(45) **Date of Patent:** **\*\* Mar. 24, 2020**

(54) **SURVEILLANCE CAMERA**

(71) Applicant: **VIVOTEK INC.**, New Taipei (TW)

(72) Inventors: **Wei-Kai Tang**, New Taipei (TW);  
**Chung-Te Huang**, New Taipei (TW)

(73) Assignee: **VIVOTEK INC.**, New Taipei (TW)

(\*\*) Term: **15 Years**

(21) Appl. No.: **29/683,703**

(22) Filed: **Mar. 15, 2019**

(30) **Foreign Application Priority Data**

Sep. 17, 2018 (TW) ..... 107305489

(51) **LOC (12) Cl.** ..... **16-01**

(52) **U.S. Cl.**  
USPC ..... **D16/203**

(58) **Field of Classification Search**

USPC ..... D16/200, 202–208, 218, 219, 242;  
348/143, 148, 151, 373–376; 396/419,  
396/427, 535, 539–541; 248/176.1, 187.1  
CPC ..... G03B 17/02; G03B 19/04; G03B 17/56;  
G03B 17/04; G03B 15/03; H04N 5/2251;  
H04N 5/2252; H04N 5/2253; H04N  
5/2254; H04N 7/181; H04N 7/183; H04N  
7/18

See application file for complete search history.

(56) **References Cited**

**U.S. PATENT DOCUMENTS**

D791,849 S \* 7/2017 Zhang ..... D16/203  
D793,464 S \* 8/2017 Donaldson ..... D16/203

D796,567 S \* 9/2017 Bingleman ..... D16/203  
D796,568 S \* 9/2017 Bingleman ..... D16/203  
D811,462 S \* 2/2018 Axelsson ..... D16/203  
D823,919 S \* 7/2018 Persson ..... D16/203  
D827,011 S \* 8/2018 Kip ..... D16/202  
D837,274 S \* 1/2019 Ainetoft ..... D16/203  
D837,863 S \* 1/2019 Persson ..... D16/203  
D839,338 S \* 1/2019 Persson ..... D16/203  
D861,058 S \* 9/2019 Christensson ..... D16/203  
2017/0104908 A1 \* 4/2017 Mukai ..... G03B 17/02

\* cited by examiner

*Primary Examiner* — Ramzi S Almatrahi

(74) *Attorney, Agent, or Firm* — Winston Hsu

(57) **CLAIM**

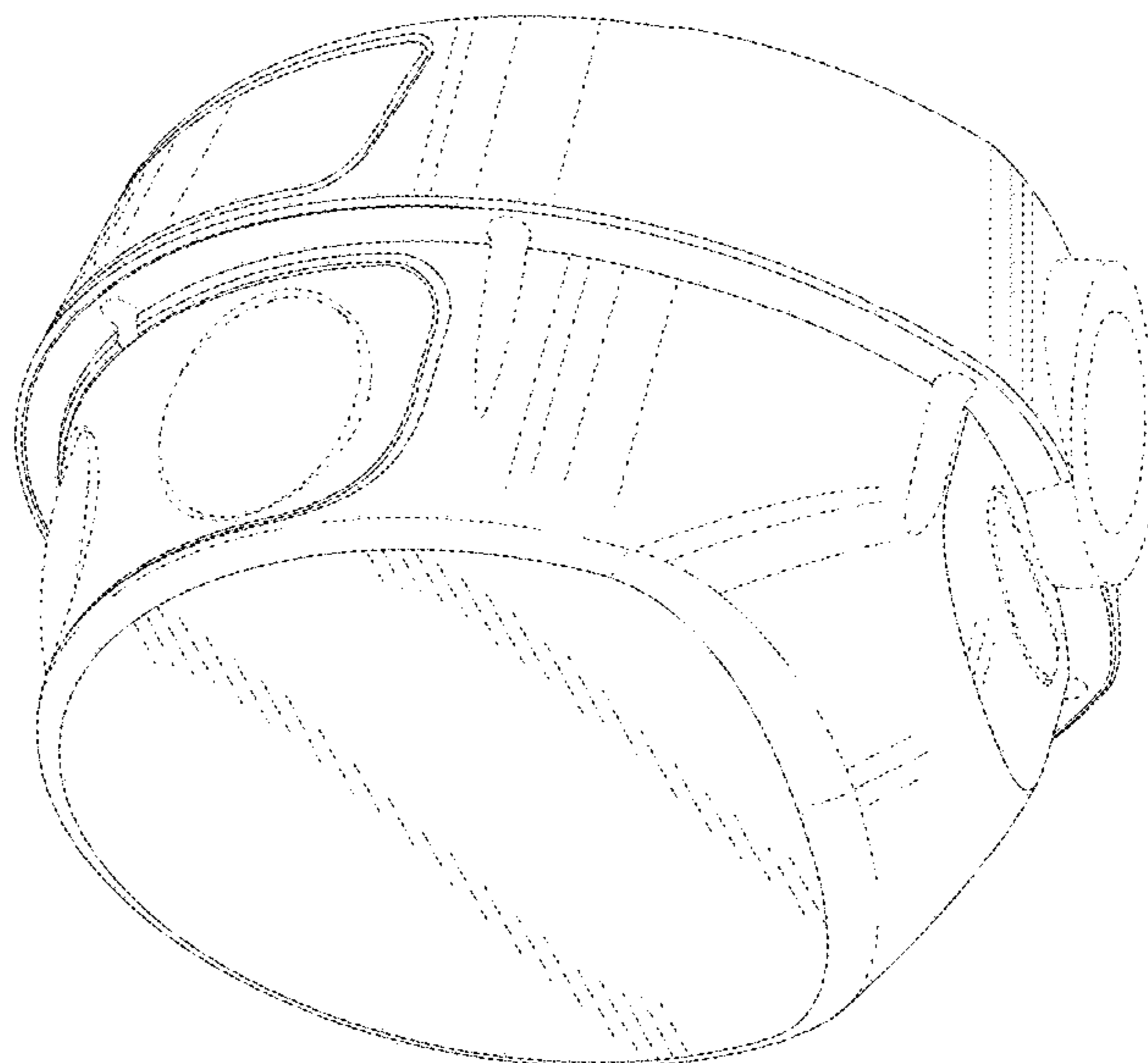
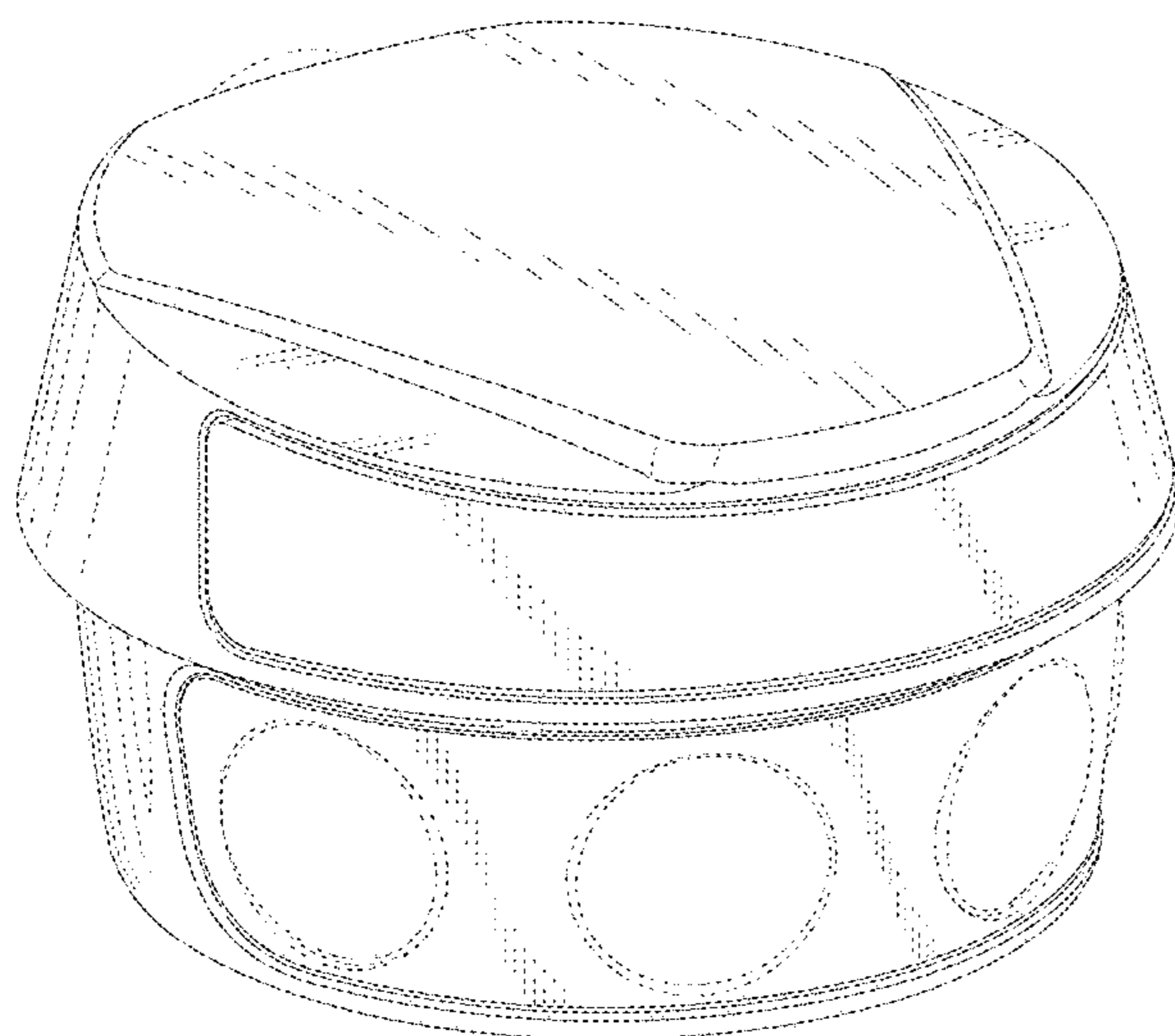
The ornamental design for a surveillance camera, as shown and described.

**DESCRIPTION**

FIG. 1 is a top, front and left side perspective view of a surveillance camera showing our new design;  
FIG. 2 is a bottom, rear, and right side perspective view thereof;  
FIG. 3 is a front elevation view thereof;  
FIG. 4 is a rear elevation view thereof;  
FIG. 5 is a left side elevation view thereof;  
FIG. 6 is a right side elevation view thereof;  
FIG. 7 is a top plan view thereof; and,  
FIG. 8 is a bottom plan view thereof.

The broken lines depict portions of the surveillance camera in which the design is embodied that form no part of the claimed design.

**1 Claim, 8 Drawing Sheets**



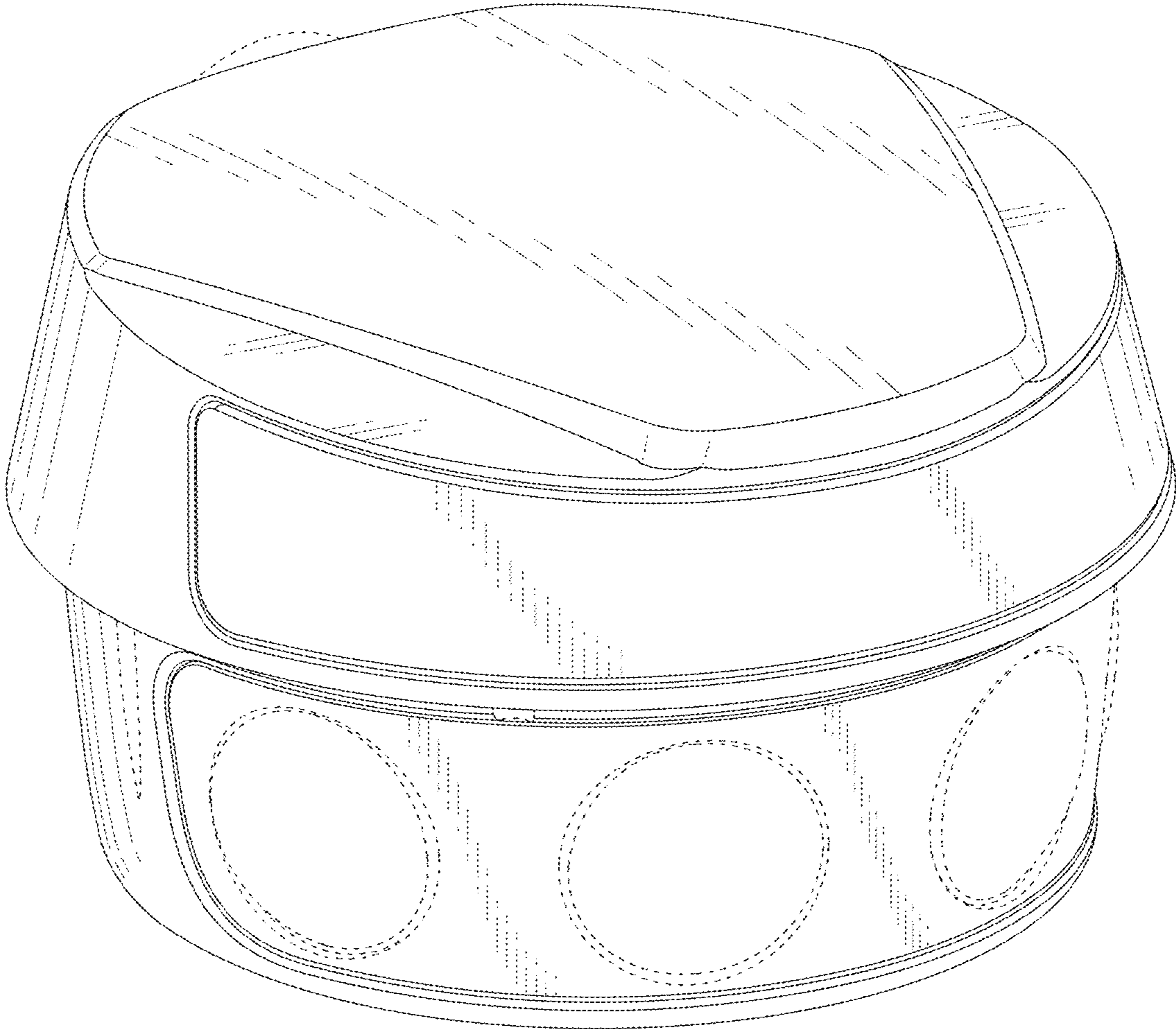


FIG. 1

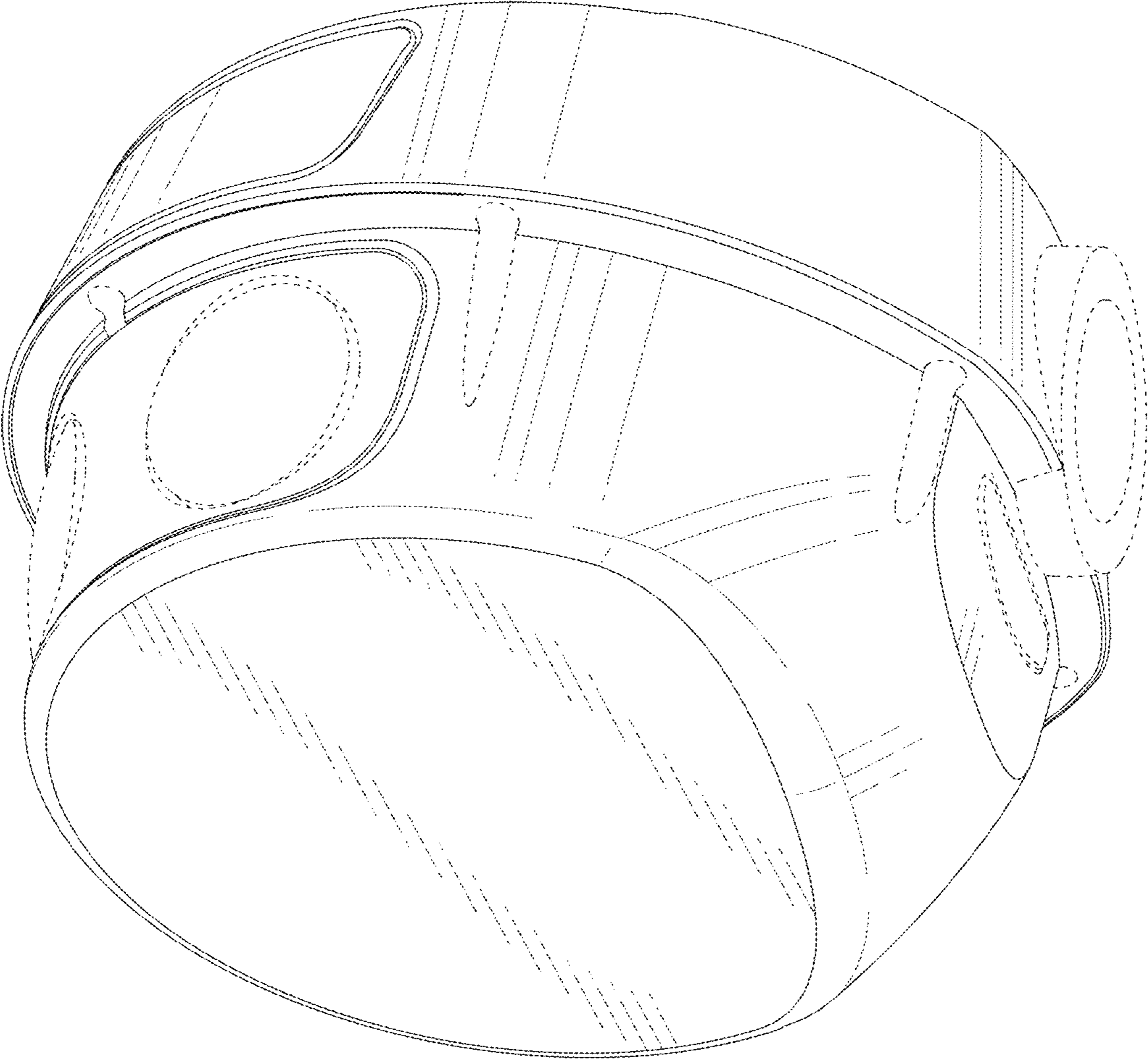


FIG. 2

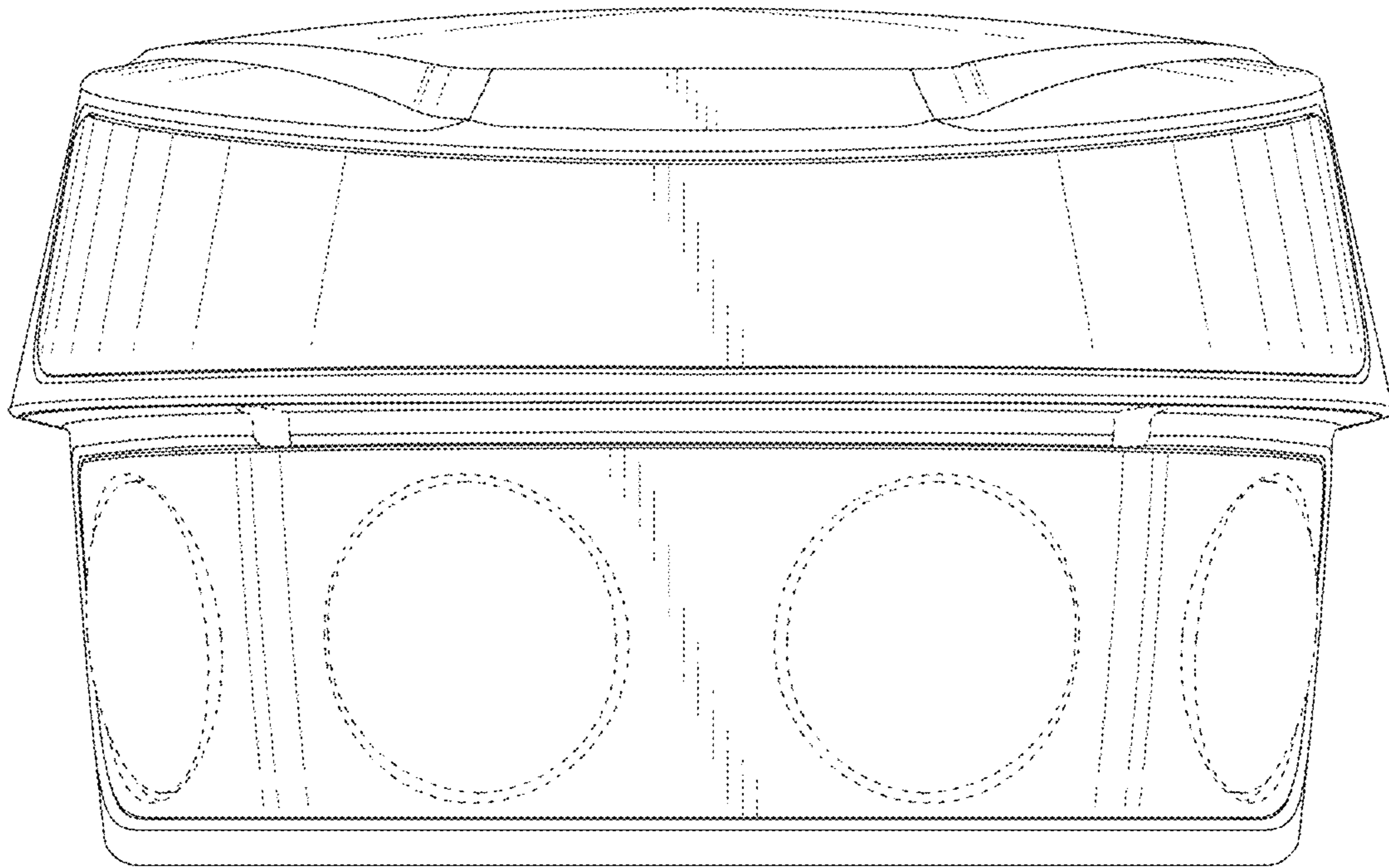


FIG. 3

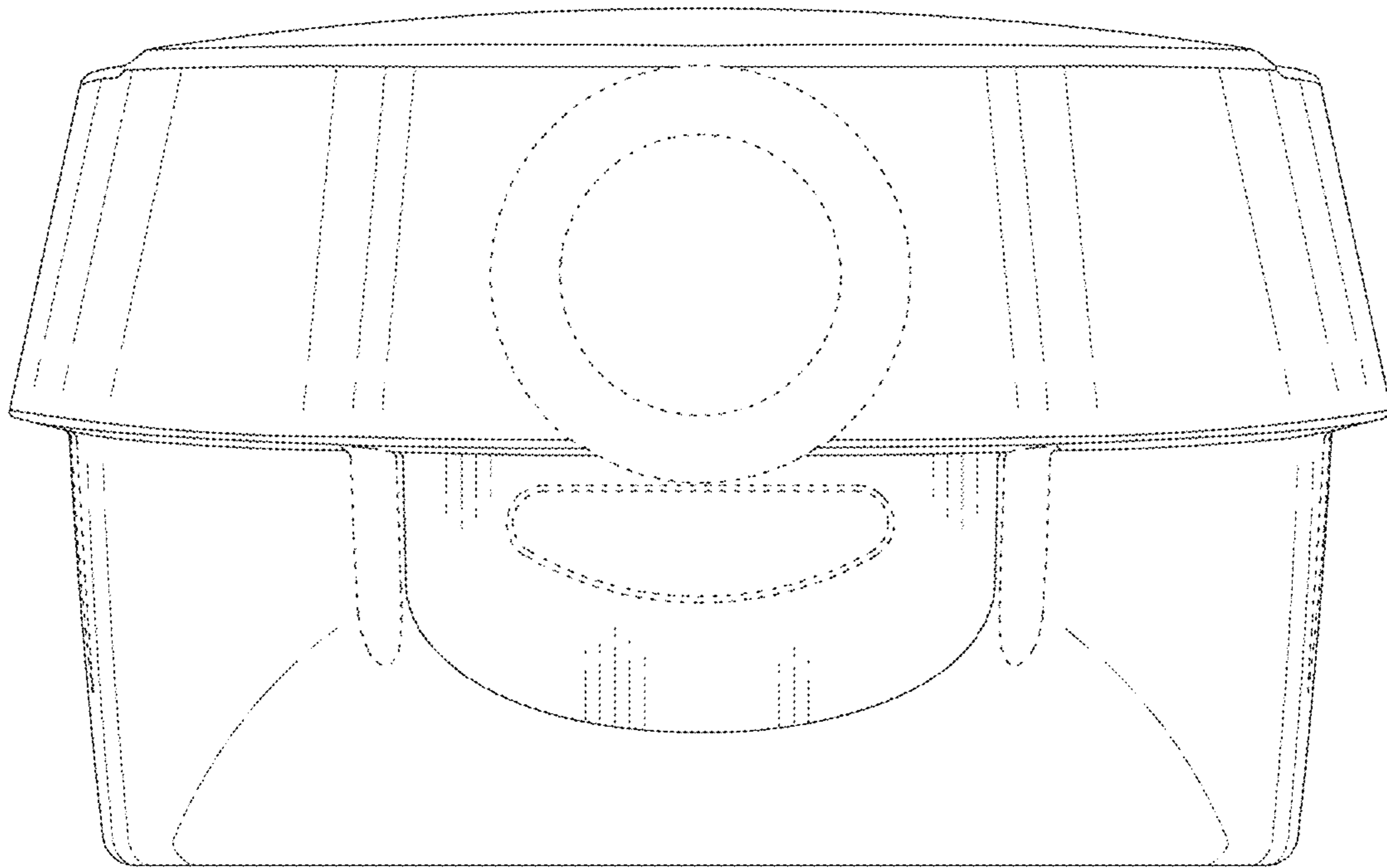


FIG. 4

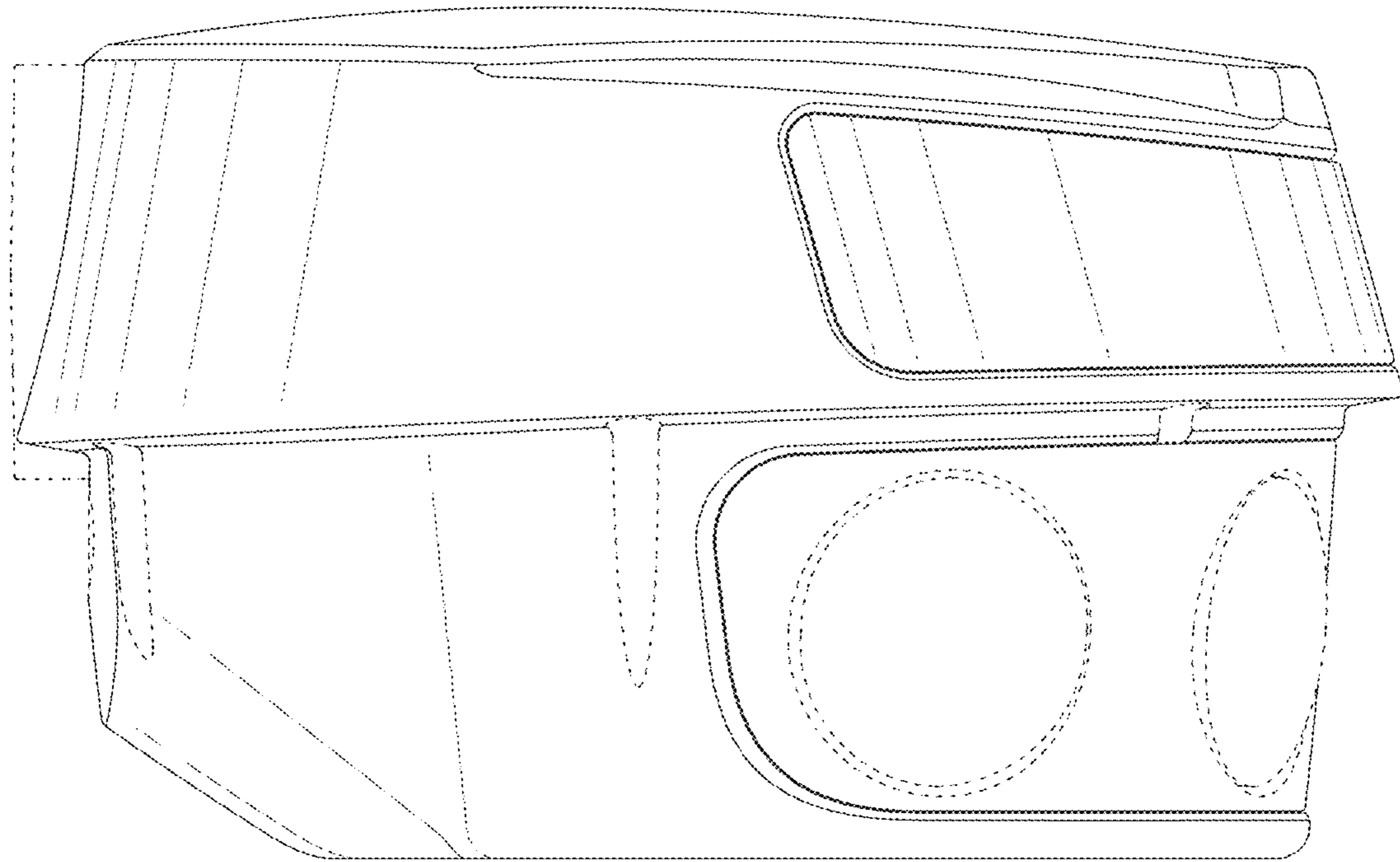


FIG. 5

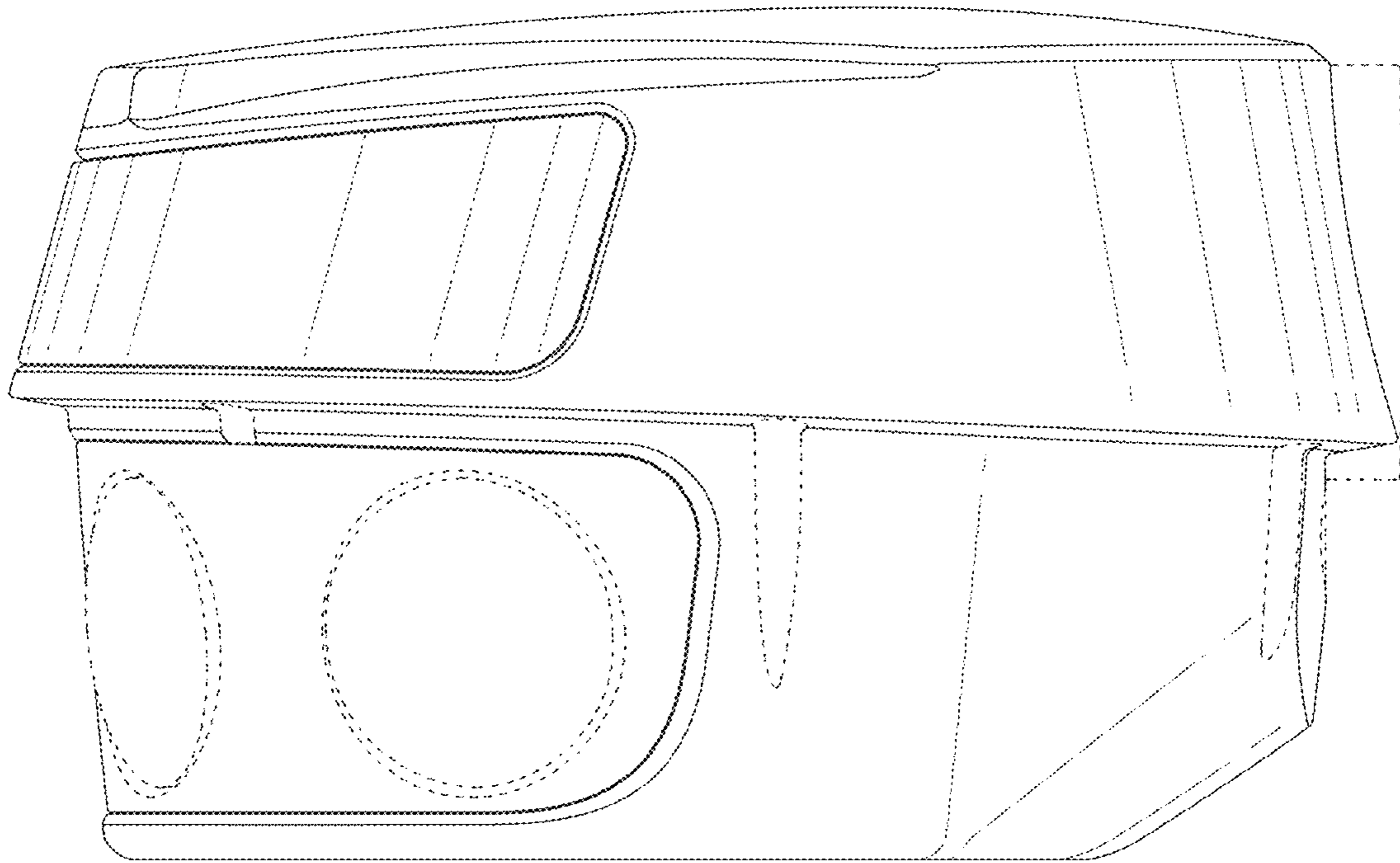


FIG. 6

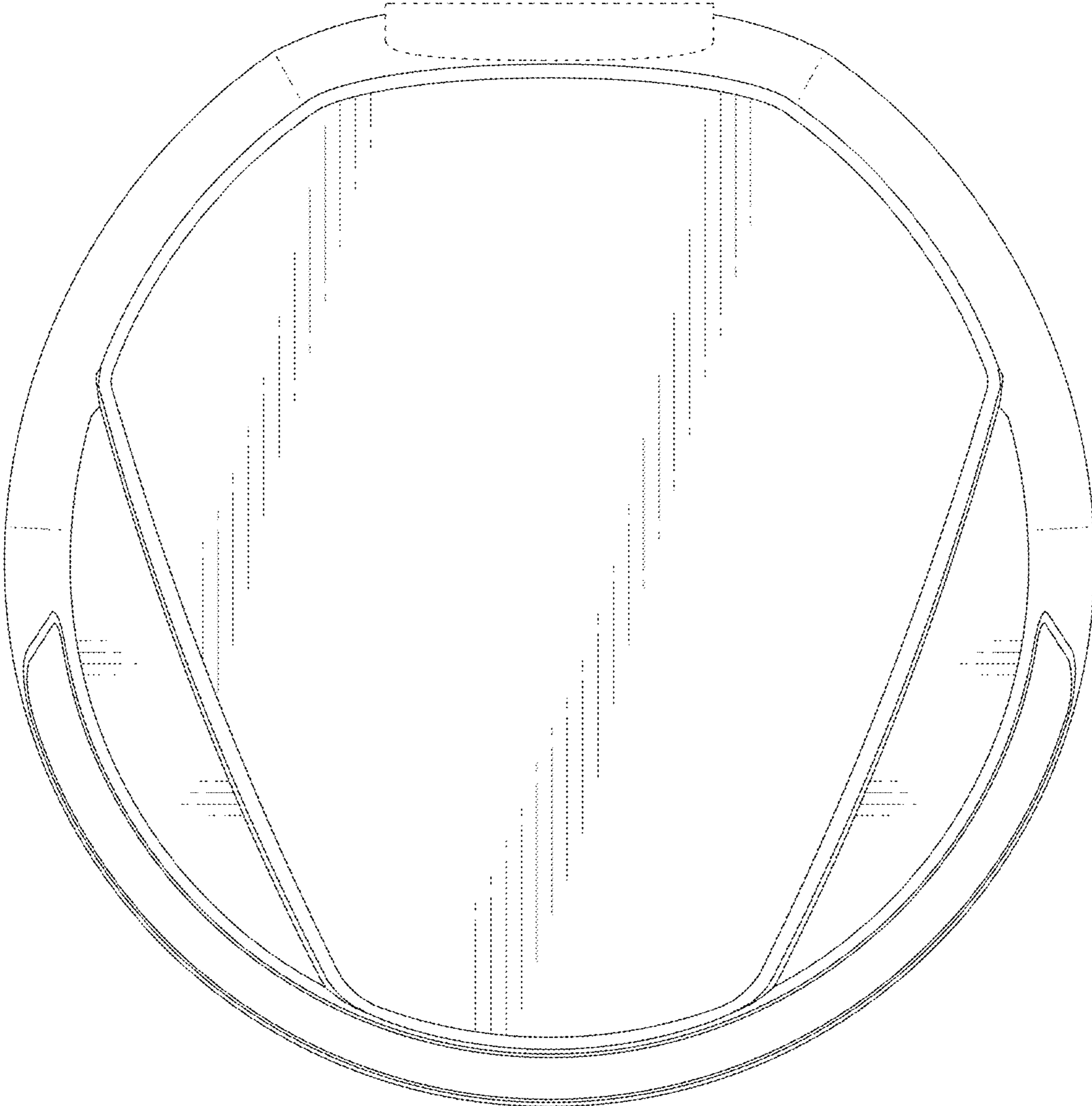


FIG. 7



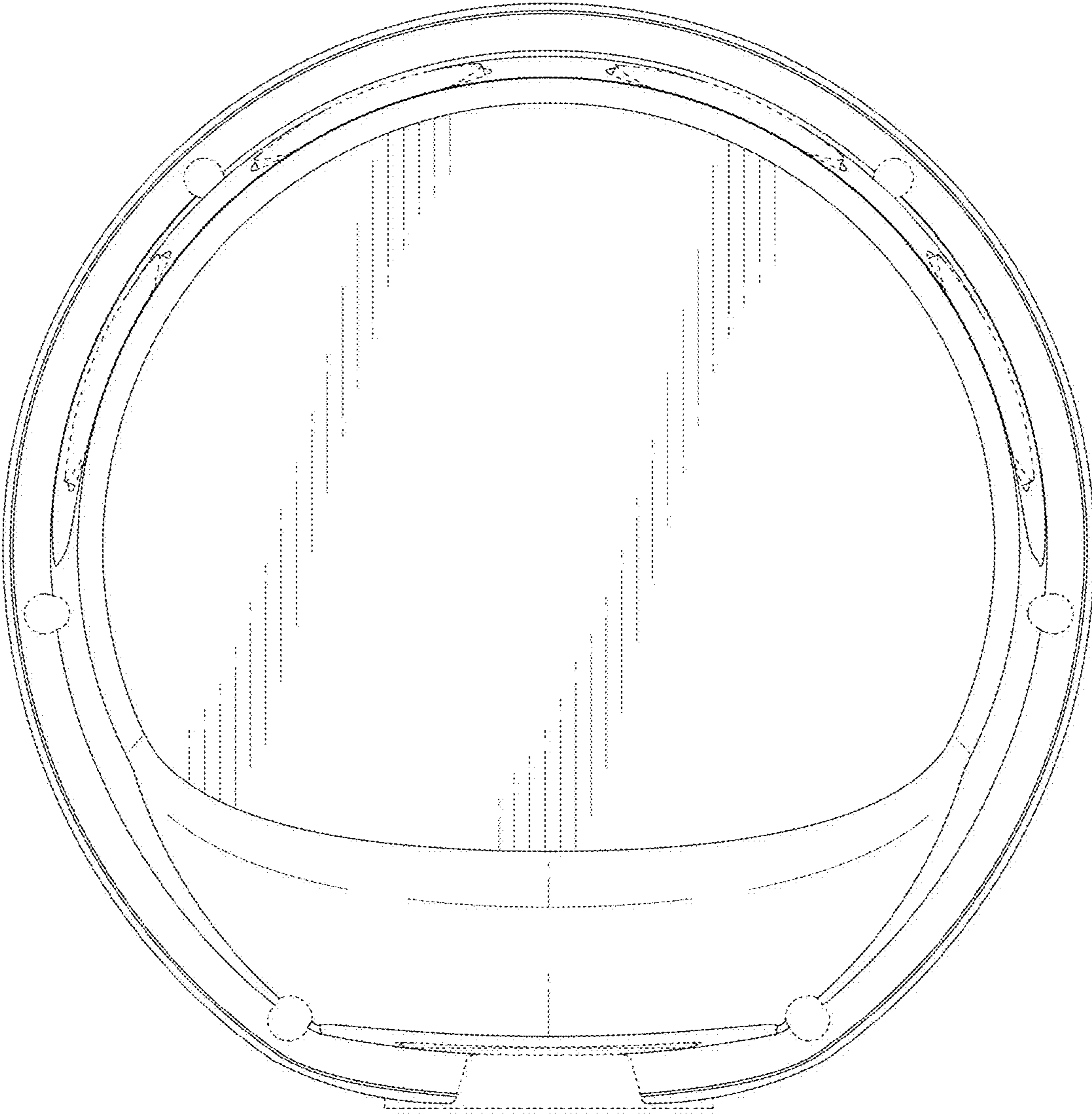


FIG. 8