



US00D879174S

(12) **United States Design Patent**
Kammermeier

(10) **Patent No.:** **US D879,174 S**

(45) **Date of Patent:** **** Mar. 24, 2020**

(54) **TRANSPORTION ROBOT**

(71) Applicant: **KUKA Aktiengesellschaft**, Augsburg (DE)

(72) Inventor: **René Kammermeier**, Augsburg (DE)

(73) Assignee: **KUKA Aktiengesellschaft**, Augsburg (DE)

(**) Term: **15 Years**

(21) Appl. No.: **29/667,315**

(22) Filed: **Oct. 19, 2018**

(51) **LOC (12) Cl.** **15-99**

(52) **U.S. Cl.**
USPC **D15/199**

(58) **Field of Classification Search**
USPC D15/199; D21/578-583, 621, 622
CPC B25J 5/007; B60B 19/006; B62D 57/024;
H01F 7/0221; Y10S 901/01
See application file for complete search history.

(56) **References Cited**

U.S. PATENT DOCUMENTS

D793,145 S *	8/2017	Huang	D15/199
D802,040 S *	11/2017	Canoso	D15/199
D811,458 S *	2/2018	Wang	D15/199
D813,281 S *	3/2018	Kittmann	D15/199
D817,375 S *	5/2018	Deyle	D15/199
D820,334 S *	6/2018	Lee	D15/199
D829,250 S *	9/2018	Zilbershtein	D15/199
D829,252 S *	9/2018	Wang	D15/199
D829,793 S *	10/2018	Wang	D15/199
D832,328 S *	10/2018	Baek	D15/199
D840,451 S *	2/2019	Yoo	D15/199

D840,452 S *	2/2019	Yoo	D15/199
D840,453 S *	2/2019	Yoo	D15/199
D841,067 S *	2/2019	Camporesi	D15/199
D846,616 S *	4/2019	Deyle	D15/199
D849,813 S *	5/2019	Sutherland	D15/199
D851,148 S *	6/2019	Wang	D15/199
D855,673 S *	8/2019	Sutherland	D15/199
D859,485 S *	9/2019	Sutherland	D15/199
2015/0094879 A1 *	4/2015	Pari	701/2
2015/0190927 A1 *	7/2015	Sutherland	H04W 4/70 700/259

* cited by examiner

Primary Examiner — Patricia A Palasik

(74) *Attorney, Agent, or Firm* — Dorton & Willis, LLP

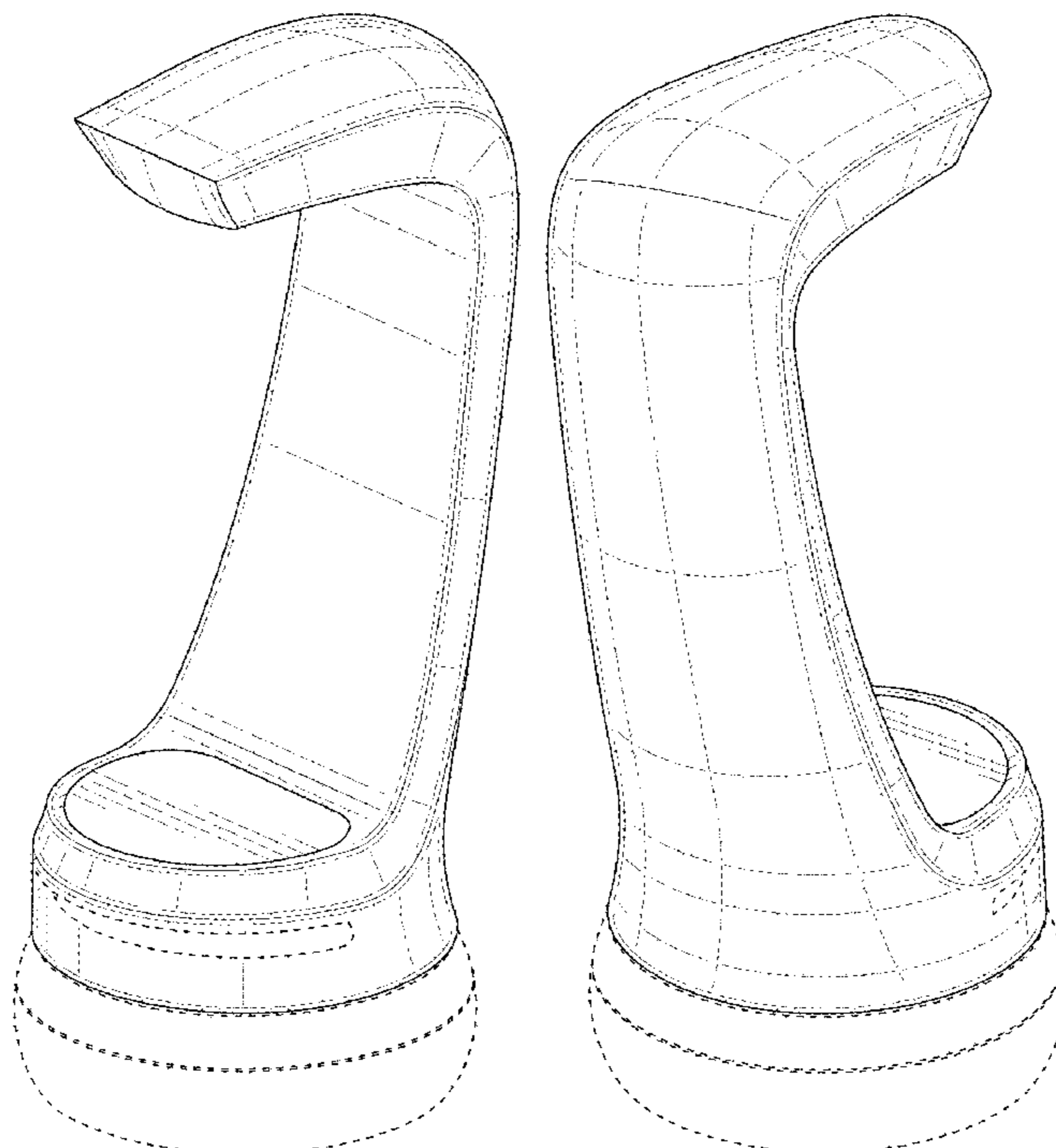
(57) **CLAIM**

The ornamental design for a transportation robot, as shown and described.

DESCRIPTION

FIG. 1 is a front, left isometric view of my new transportation robot design;
FIG. 2 is a rear, right isometric view thereof;
FIG. 3 is a front elevation view thereof;
FIG. 4 is a rear elevation view thereof;
FIG. 5 is a right-side elevation view thereof;
FIG. 6 is a left-side elevation view thereof;
FIG. 7 is a top plan view thereof; and,
FIG. 8 is a bottom plan view thereof.
The portions of FIGS. 1-8 that are shown in broken dash lines represent non-claimed subject matter and form no part of the claimed invention.

1 Claim, 8 Drawing Sheets



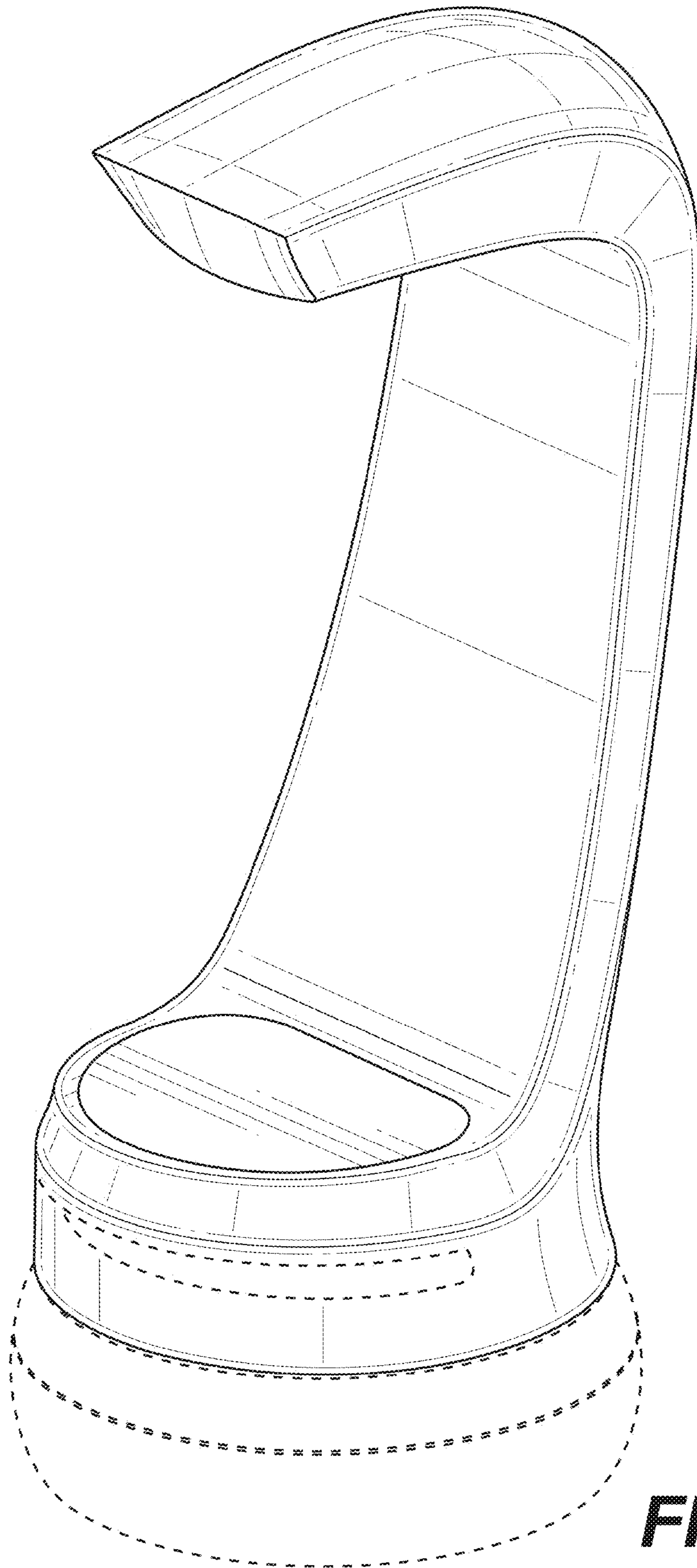


FIG. 1

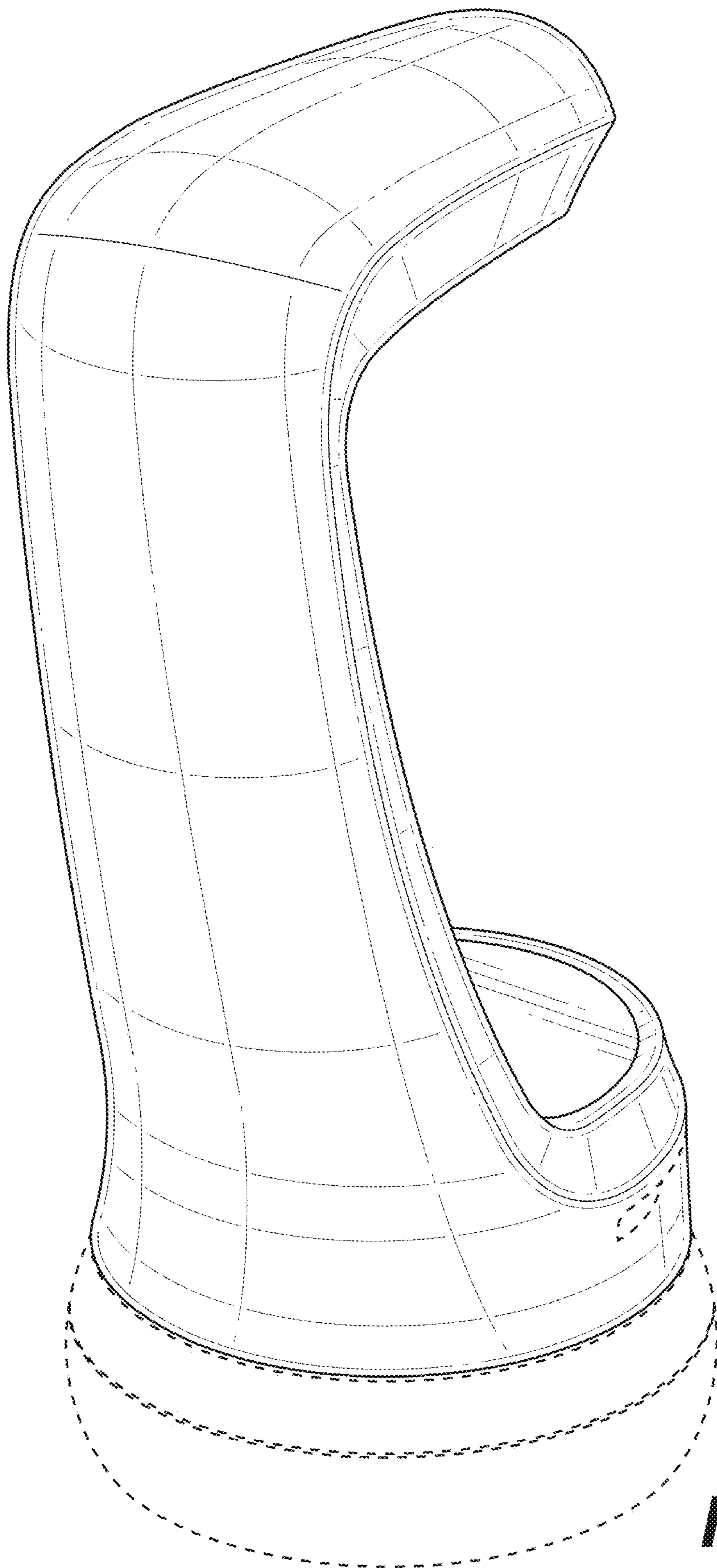


FIG. 2

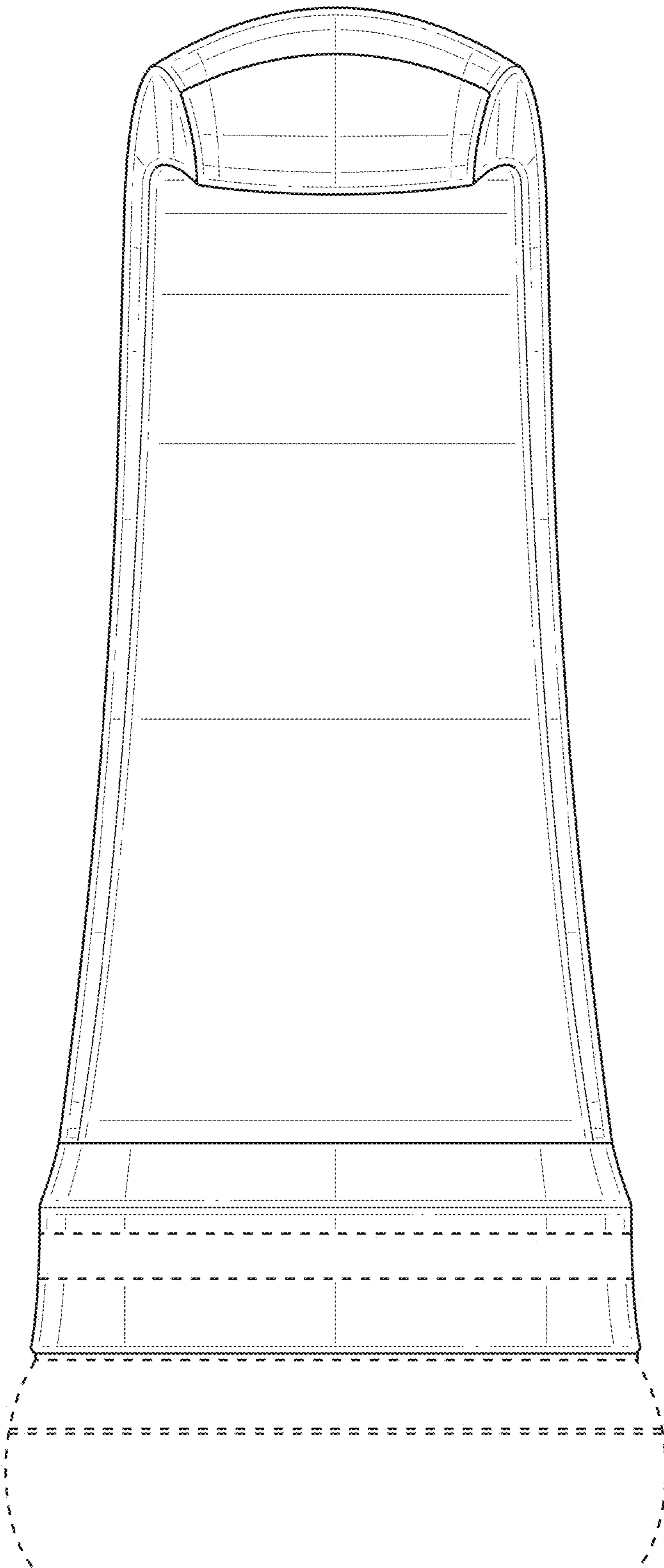


FIG. 3

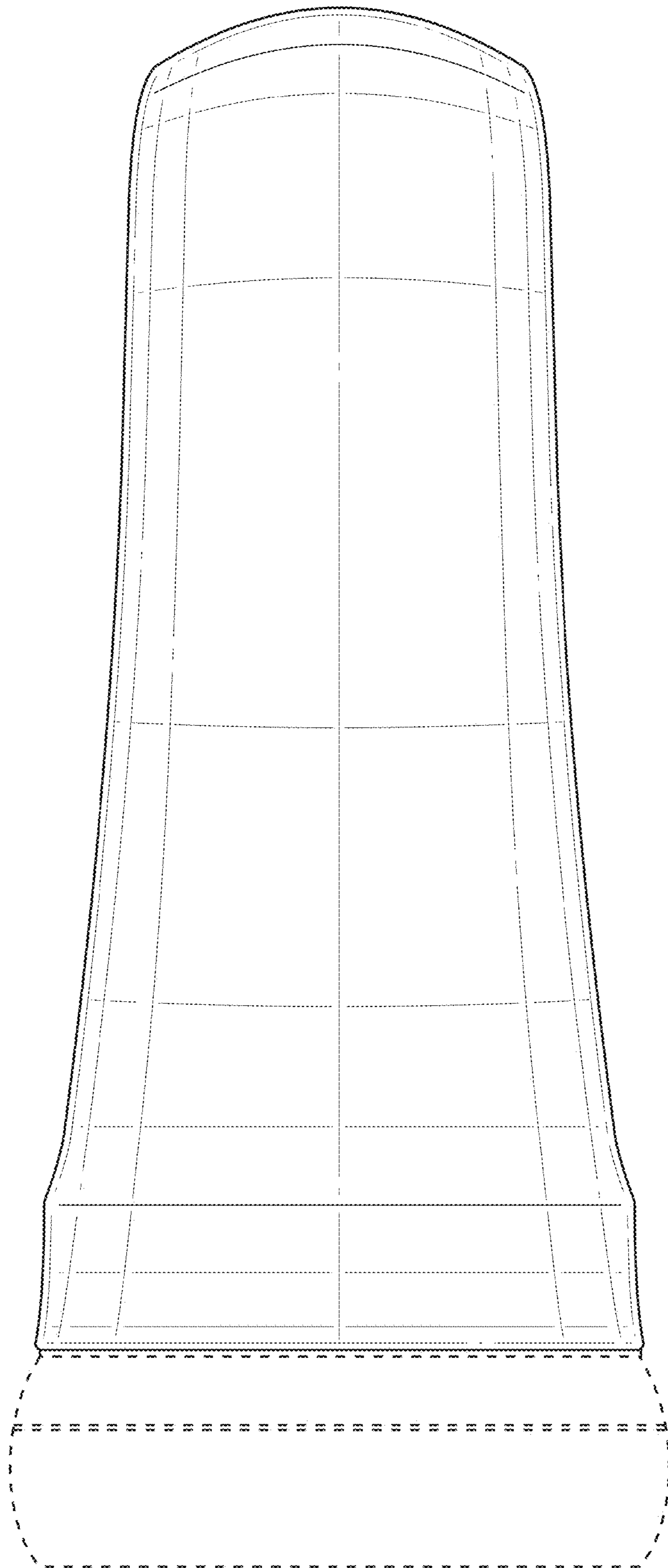


FIG. 4

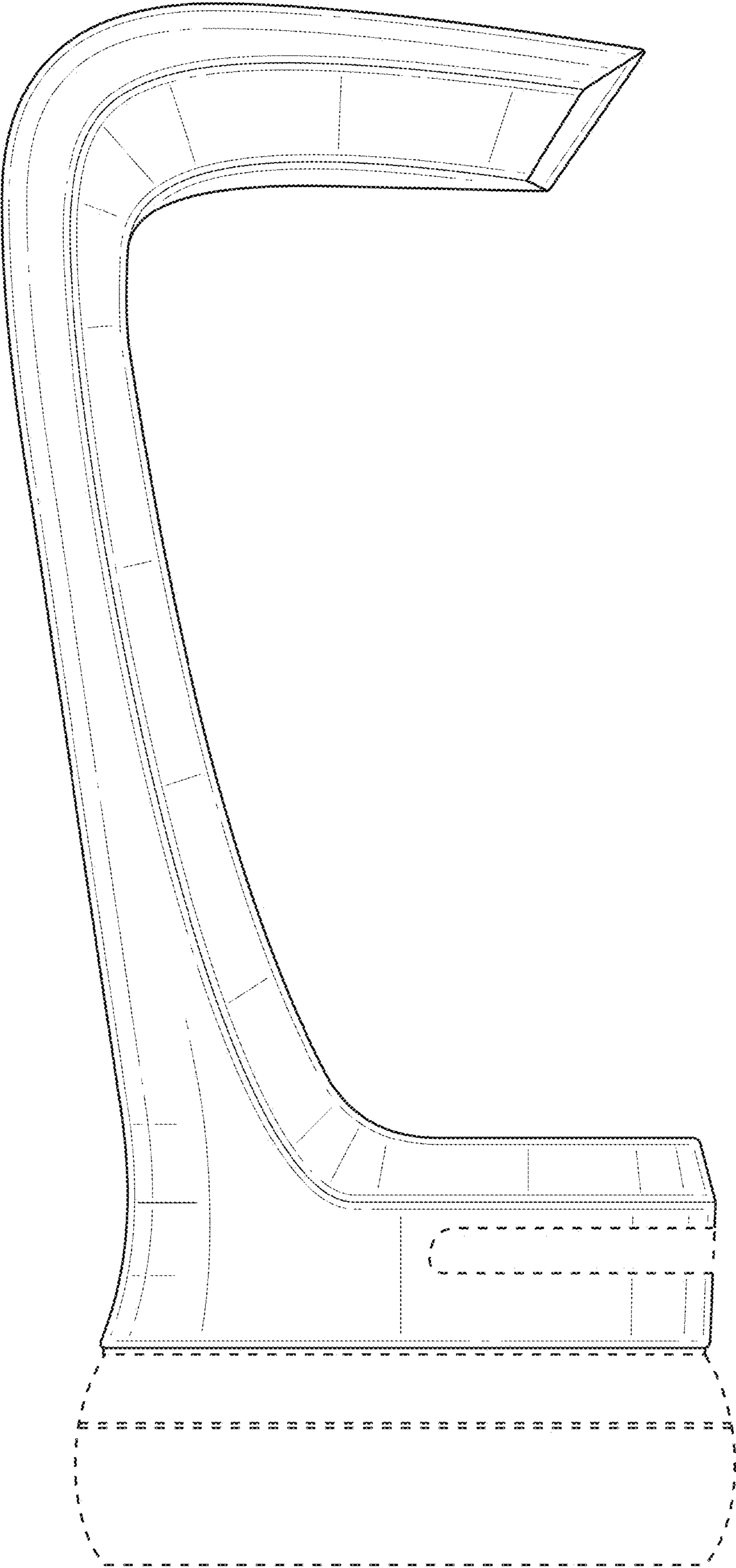


FIG. 5

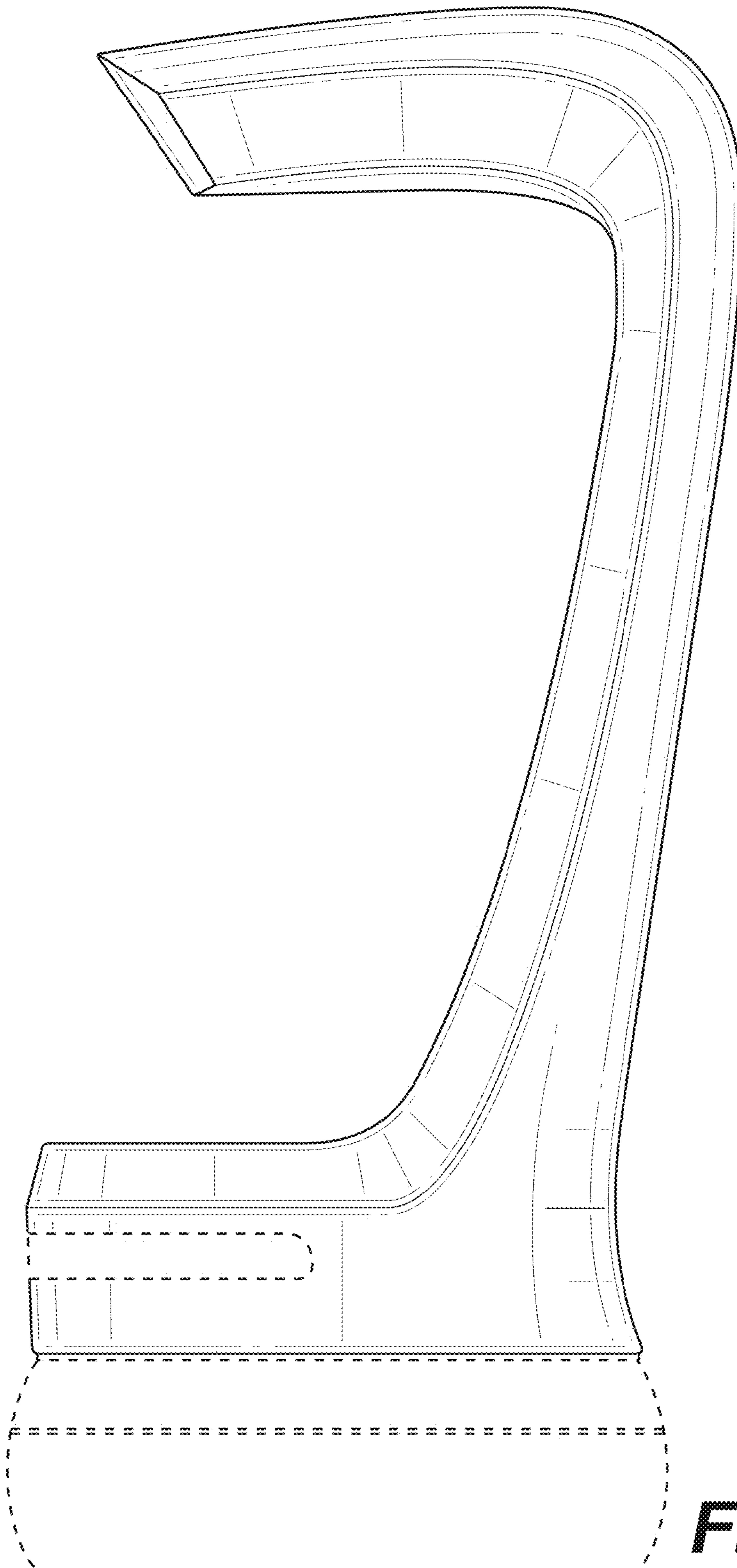


FIG. 6

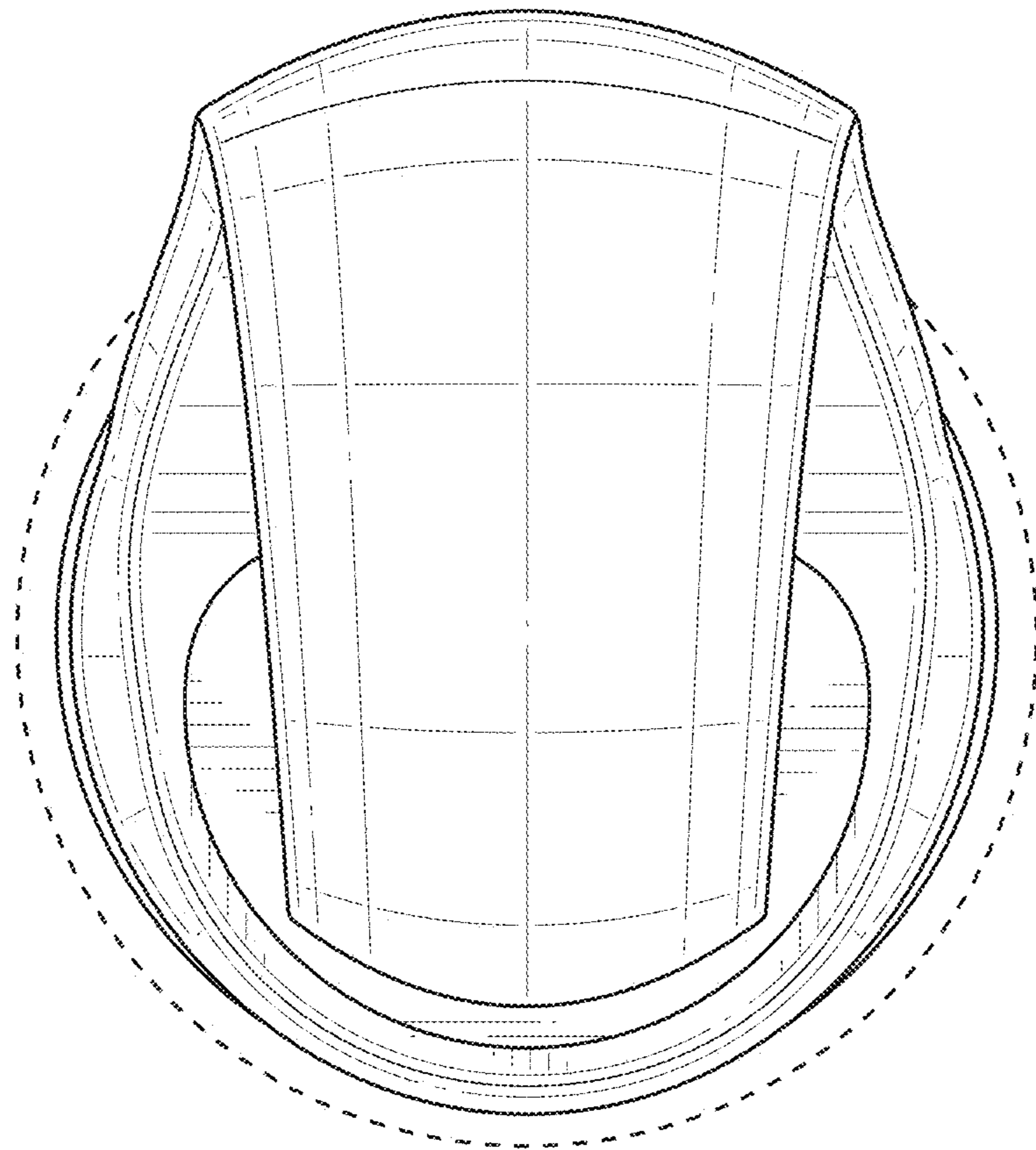


FIG. 7

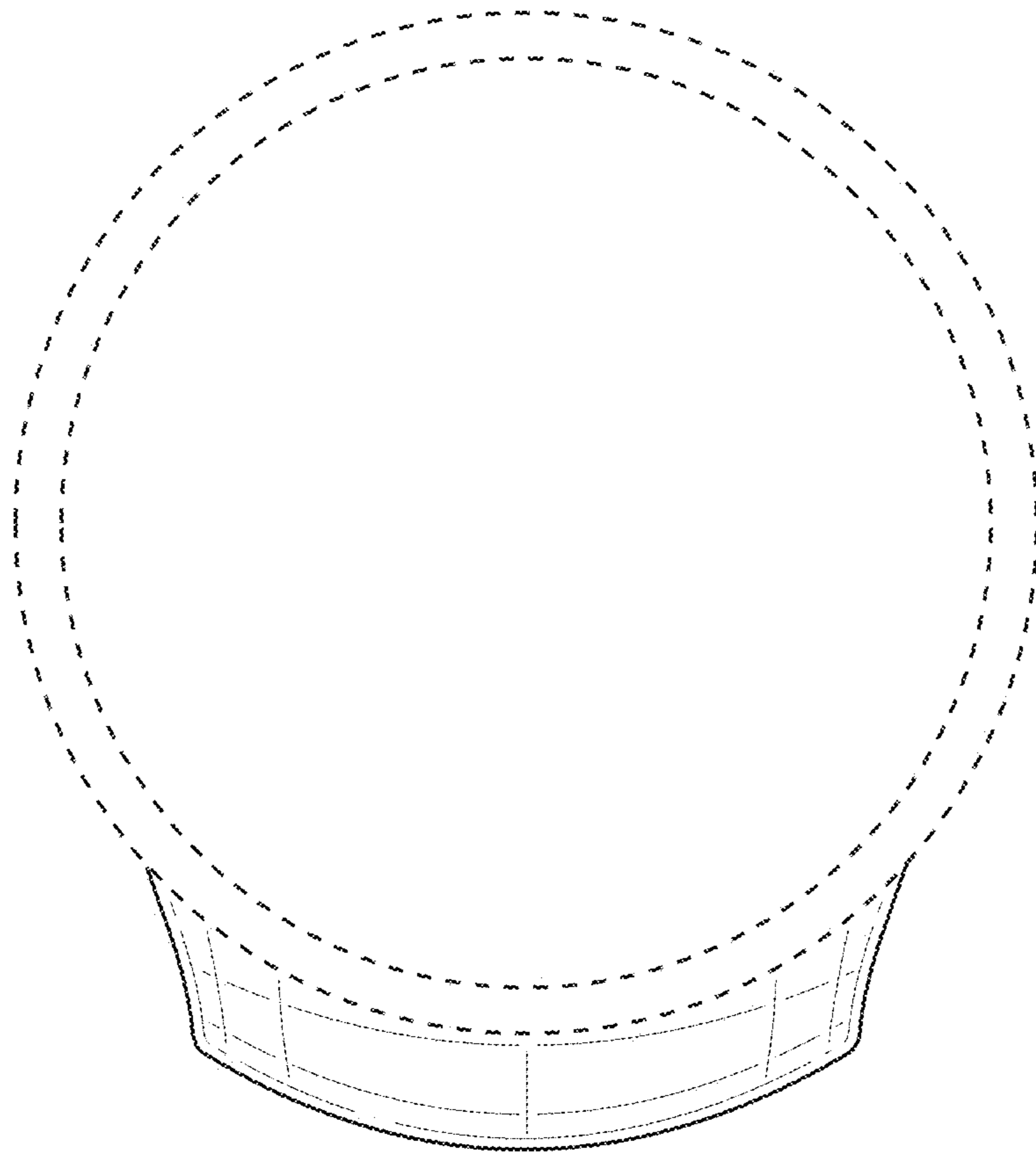


FIG. 8