



US00D879173S

(12) **United States Design Patent**
Wang

(10) **Patent No.:** **US D879,173 S**

(45) **Date of Patent:** **** Mar. 24, 2020**

- (54) **SHUTTLE VEHICLE**
- (71) Applicants: **Beijing JingDong ShangKe Information Technology Co, Ltd, Beijing (CN); Beijing Jingdong Century Trading Co., Ltd., Beijing (CN)**
- (72) Inventor: **Meng Wang, Beijing (CN)**
- (73) Assignees: **Beijing JingDong ShangKe Information Technology Co, Ltd (CN); Beijing Jingdong Century Trading Co., Ltd. (CN)**
- (**) Term: **15 Years**

5,154,249	A *	10/1992	Yardley	B60D 1/06 180/168
6,019,563	A *	2/2000	Murata	B23Q 7/1436 414/222.01
D451,931	S *	12/2001	Abramson	D15/14
D527,854	S *	9/2006	Marzynski	D15/199
D691,337	S *	10/2013	Kim	D32/21
D704,400	S *	5/2014	Shin	D32/21
D720,510	S *	12/2014	Shin	D32/21
D720,511	S *	12/2014	Shin	D32/21
D741,609	S *	10/2015	Williams	D6/338
D743,647	S *	11/2015	Heck	D32/21
D748,878	S *	2/2016	Dooley	D32/21
D781,955	S *	3/2017	Kim	D18/50
D810,799	S *	2/2018	Sokuza	D15/199
D812,663	S *	3/2018	Waters	D15/199
D832,372	S *	10/2018	Huang	D21/578

(Continued)

- (21) Appl. No.: **29/609,872**
- (22) Filed: **Jul. 6, 2017**

Primary Examiner — Patricia A Palasik
(74) *Attorney, Agent, or Firm* — Saidman DesignLaw Group, LLC

(30) **Foreign Application Priority Data**

Feb. 14, 2017 (CN) 2017 3 0038610

- (51) **LOC (12) Cl.** **15-99**
- (52) **U.S. Cl.**
USPC **D15/199**

- (58) **Field of Classification Search**
USPC D6/338, 356; D15/199; D21/578-583,
D21/621, 622
CPC B60L 50/66; G05D 1/0242; G05D 1/0265;
G05D 2201/0216; Y02T 10/705; Y02T
10/7005
See application file for complete search history.

(56) **References Cited**

U.S. PATENT DOCUMENTS

4,137,984	A *	2/1979	Jennings	B62D 1/28 180/168
4,962,453	A *	10/1990	Pong, Jr.	A47L 11/4011 180/167

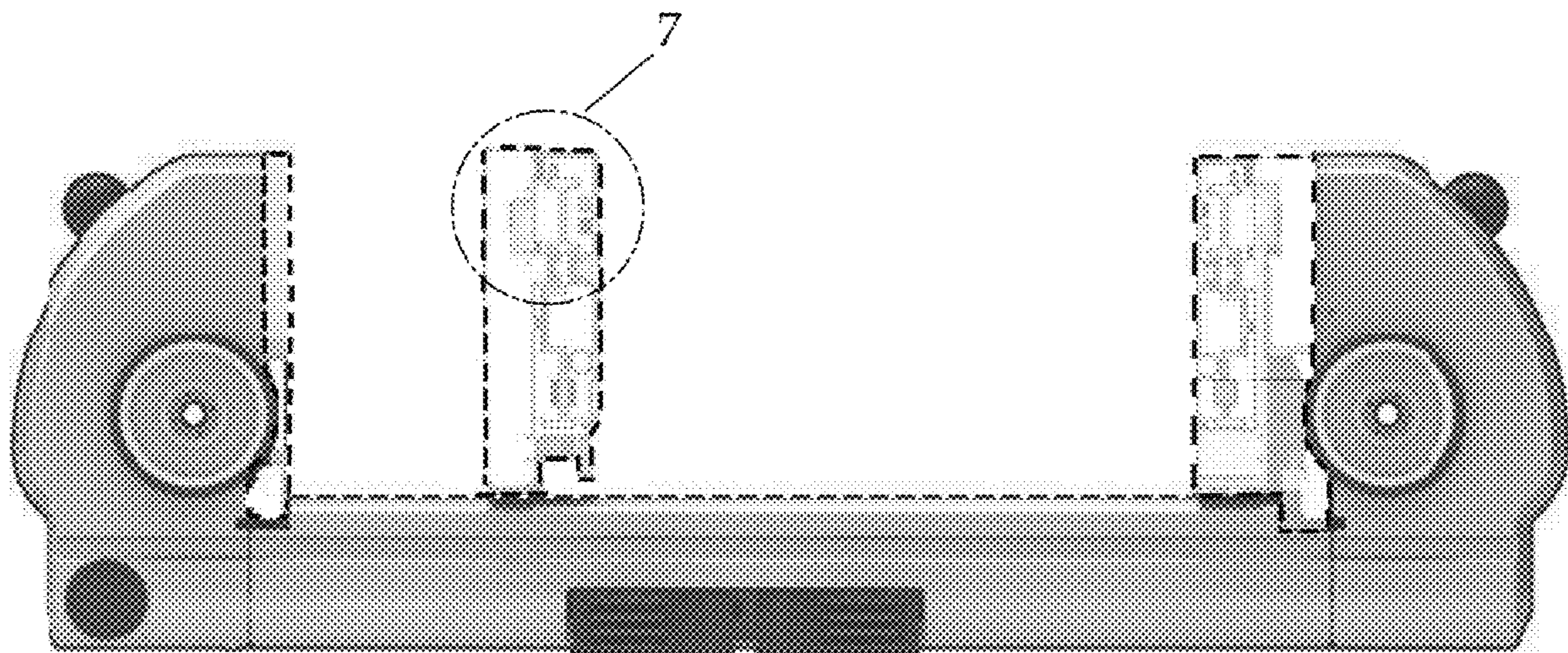
(57) **CLAIM**

The ornamental design for a shuttle vehicle, as shown and described.

DESCRIPTION

FIG. 1 is a front view of a shuttle vehicle showing my new design;
FIG. 2 is a rear view thereof;
FIG. 3 is a right side view thereof;
FIG. 4 is a left side view thereof;
FIG. 5 is a top view thereof;
FIG. 6 is a bottom view thereof; and,
FIG. 7 is a partial enlarged view of FIG. 3.
The area within the broken lines comprises structure or features of the shuttle vehicle that form no part of the claimed design.
The dot-dash broken lines identify an area of enlargement.

1 Claim, 7 Drawing Sheets



(56)

References Cited

U.S. PATENT DOCUMENTS

10,202,061 B2 * 2/2019 Scherle B66F 9/063
 2004/0042885 A1 * 3/2004 Rokkaku B60L 15/38
 414/529
 2005/0144904 A1 * 7/2005 Veltkamp E04B 1/803
 52/782.1
 2009/0074545 A1 * 3/2009 Lert, Jr. B65G 1/0492
 414/276
 2010/0230196 A1 * 9/2010 Nishimura B60L 8/003
 180/165
 2010/0316468 A1 * 12/2010 Lert B65G 1/045
 414/273
 2010/0316469 A1 * 12/2010 Lert B65G 1/045
 414/273
 2011/0106352 A1 * 5/2011 Scheuerman G05D 1/0242
 701/22
 2012/0185082 A1 * 7/2012 Toebes B65G 1/0492
 700/218
 2012/0185122 A1 * 7/2012 Sullivan G05D 1/0272
 701/23
 2012/0189409 A1 * 7/2012 Toebes B65G 1/0492
 414/273

2012/0189410 A1 * 7/2012 Toebes B65G 1/0492
 414/273
 2012/0195720 A1 * 8/2012 Sullivan B65G 1/04
 414/277
 2012/0197431 A1 * 8/2012 Toebes B65G 1/0492
 700/217
 2013/0129453 A1 * 5/2013 Salichs B65G 1/026
 414/277
 2013/0245810 A1 * 9/2013 Sullivan G06Q 10/08
 700/214
 2014/0308098 A1 * 10/2014 Lert B65G 1/0492
 414/281
 2015/0243949 A1 * 8/2015 Fukui H01M 2/1083
 429/93
 2016/0167880 A1 * 6/2016 Pankratov B65G 1/0492
 414/281
 2016/0207710 A1 * 7/2016 Conrad B65G 1/0485
 2016/0214808 A1 * 7/2016 Cyrulik B65G 1/1373
 2017/0144502 A1 * 5/2017 Bae B62D 61/12
 2017/0182924 A1 * 6/2017 Lendo B60L 53/16
 2018/0072212 A1 * 3/2018 Alfaro B60G 3/08
 2018/0099811 A1 * 4/2018 Shen B65G 1/0492
 2019/0017570 A1 * 1/2019 Tomomasa F16F 15/08

* cited by examiner

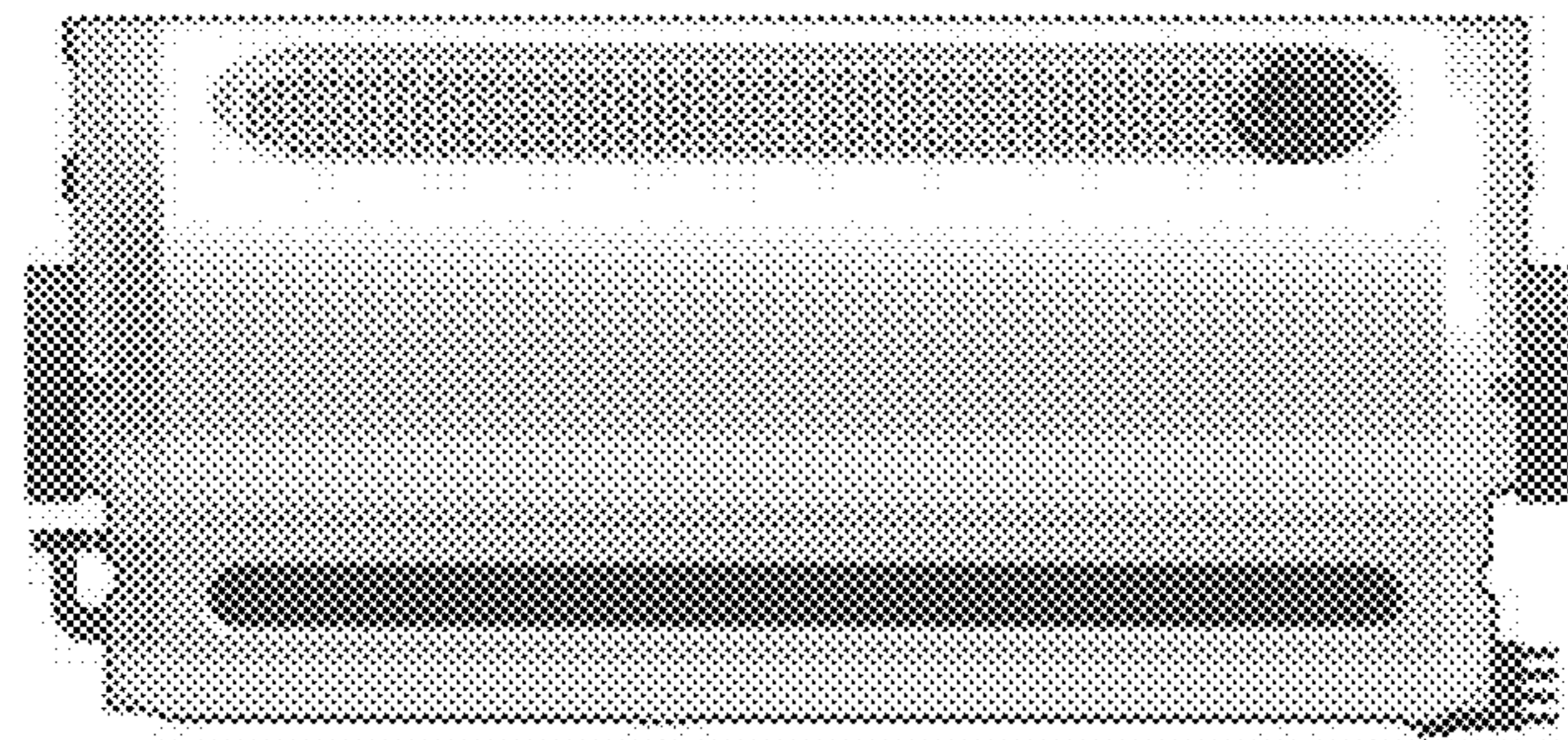


FIG. 1

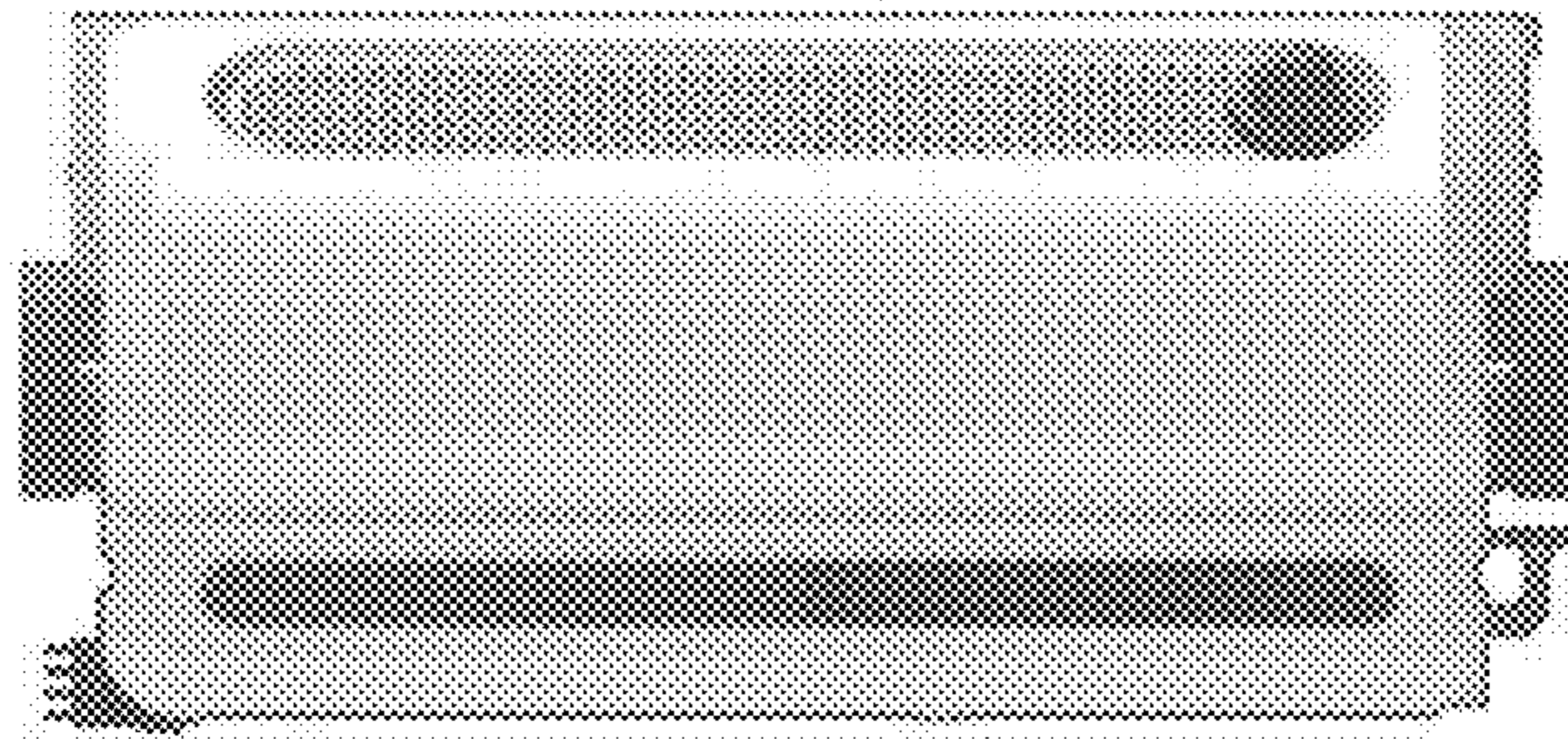


FIG. 2

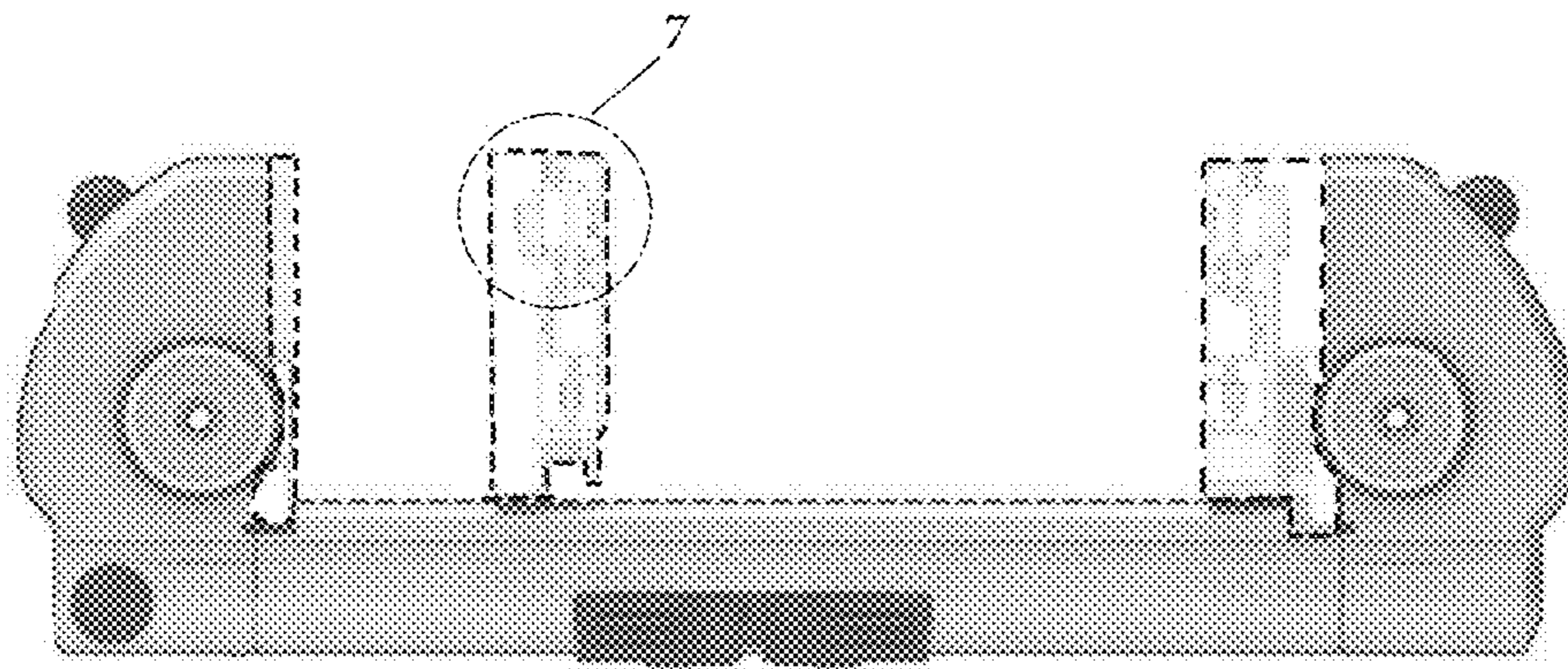


FIG. 3

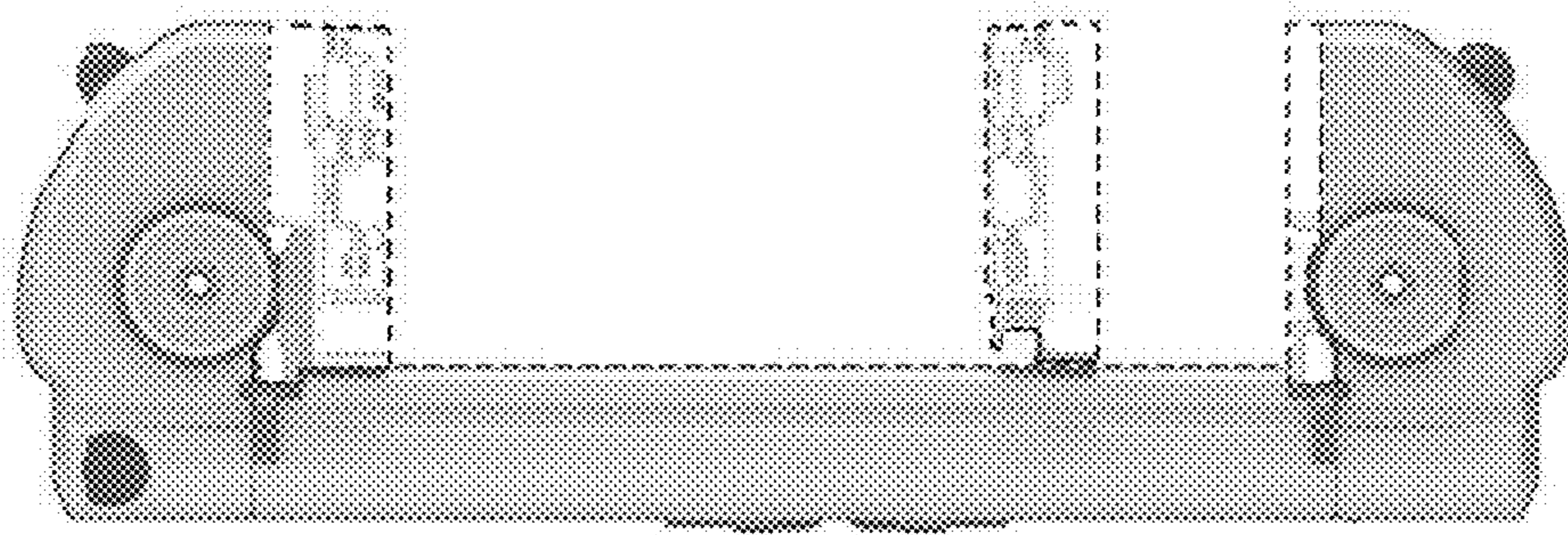


FIG. 4

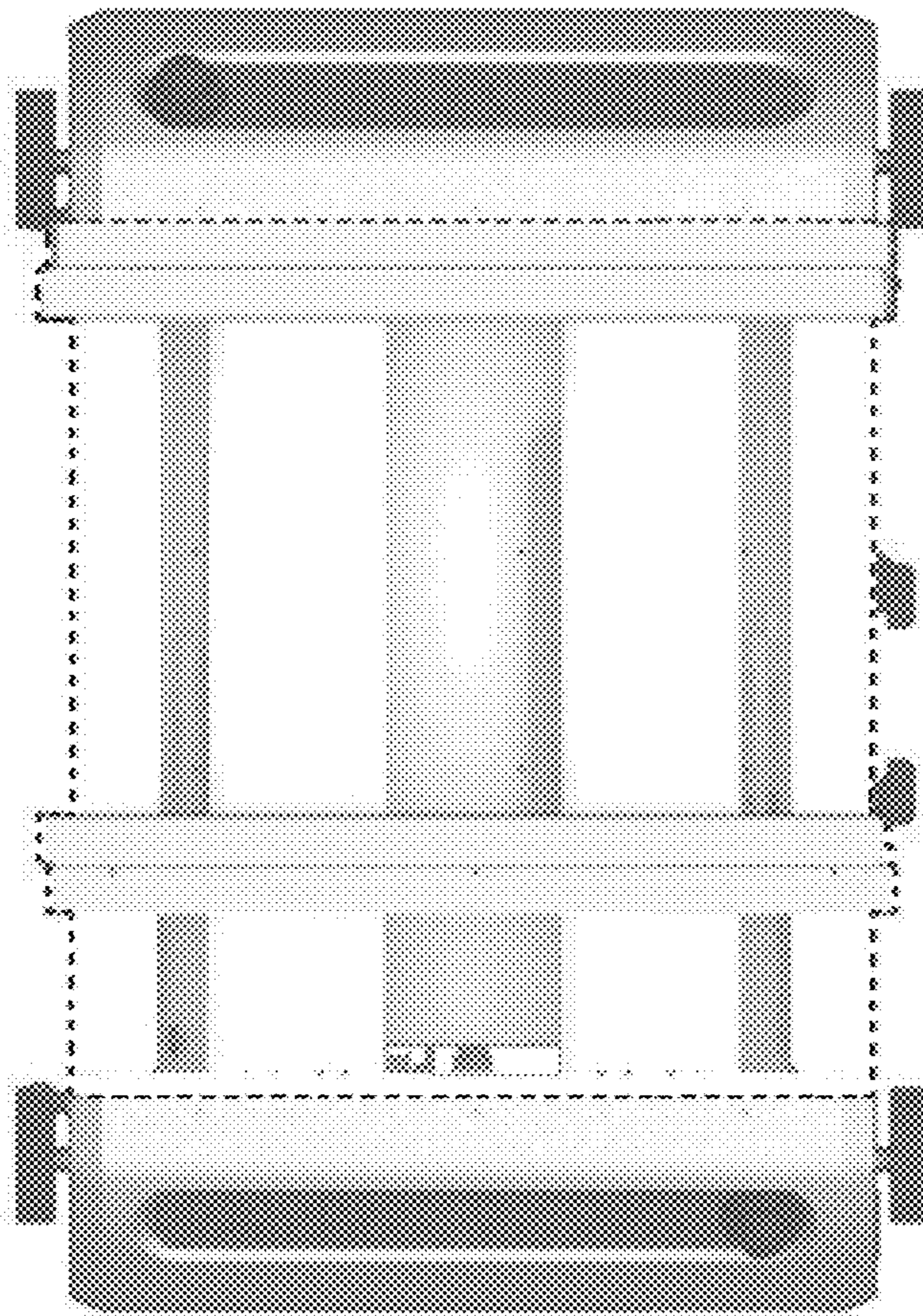


FIG. 5

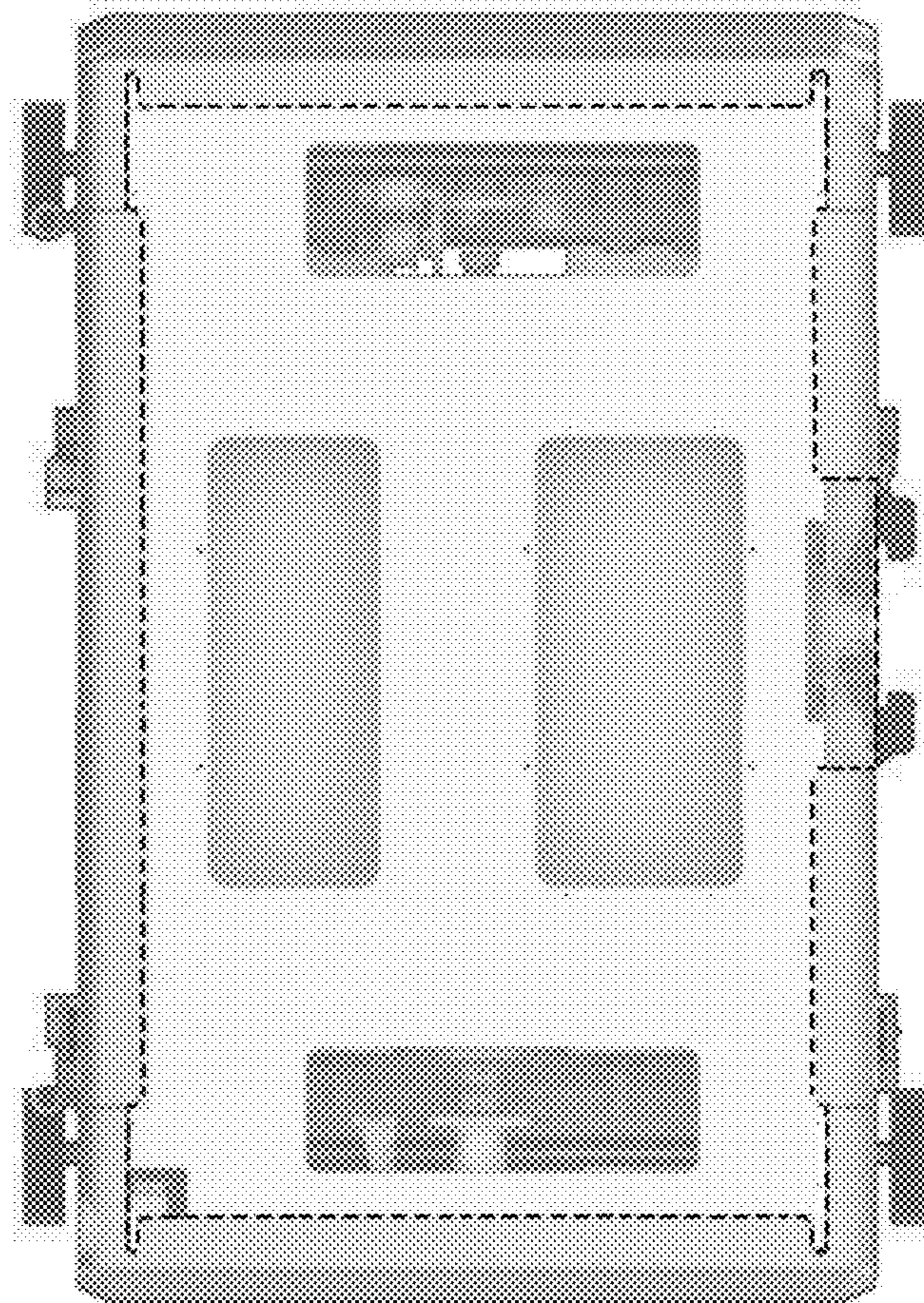


FIG. 6

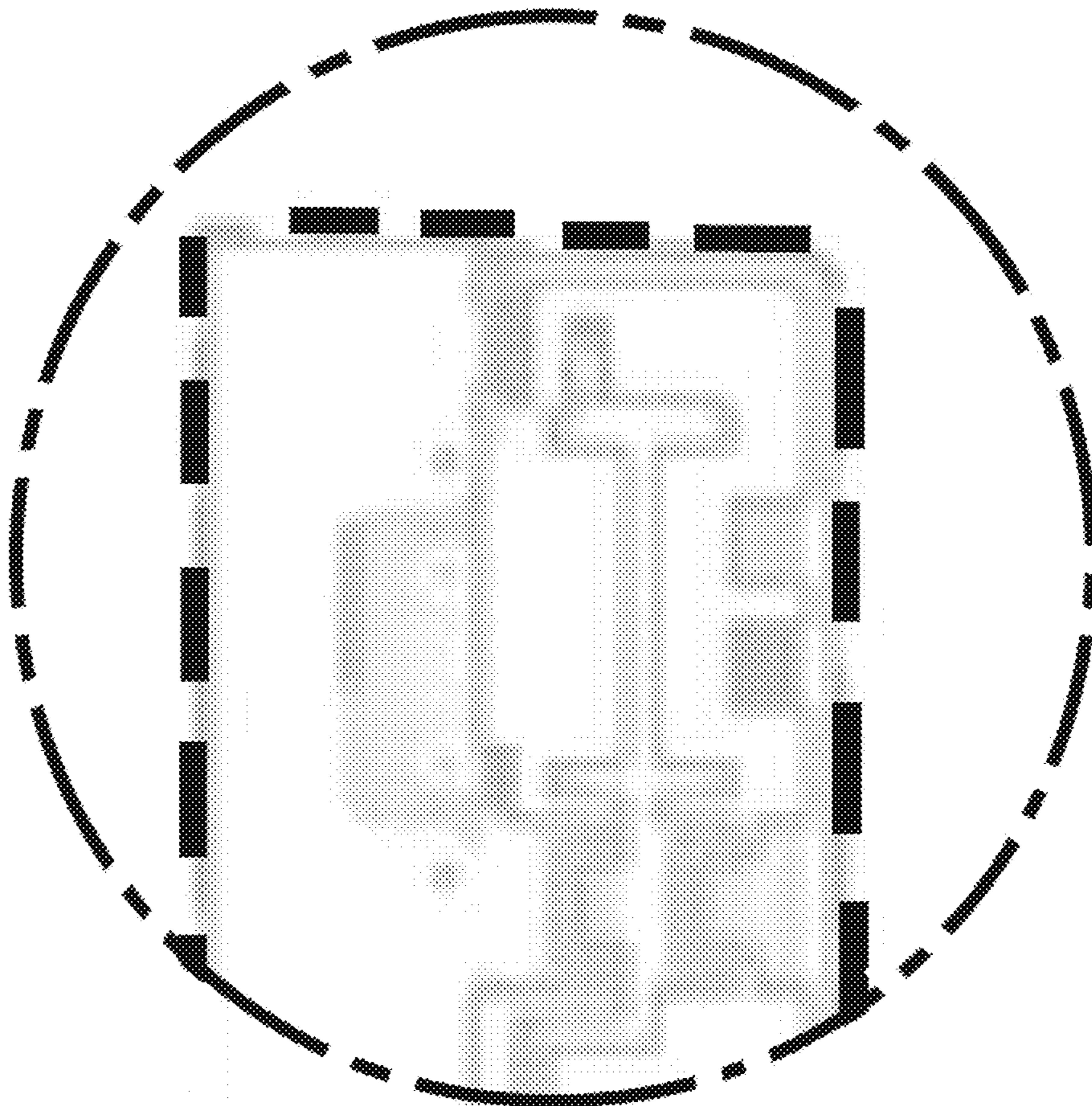


FIG. 7