

US00D879171S

(12) **United States Design Patent**
Chang

(10) **Patent No.:** **US D879,171 S**

(45) **Date of Patent:** **** *Mar. 24, 2020**

- (54) **GEAR**
- (71) Applicant: **APEX DYNAMICS, INC.**, Taichung (TW)
- (72) Inventor: **Robin C. S. Chang**, Taichung (TW)
- (73) Assignee: **APEX DYNAMICS, INC.**, Taichung (TW)
- (*) Notice: This patent is subject to a terminal disclaimer.
- (**) Term: **15 Years**
- (21) Appl. No.: **29/636,751**
- (22) Filed: **Feb. 11, 2018**

Related U.S. Application Data

- (63) Continuation-in-part of application No. 15/088,116, filed on Apr. 1, 2016, now abandoned.
- (51) **LOC (12) Cl.** **15-09**
- (52) **U.S. Cl.**
USPC **D15/148**
- (58) **Field of Classification Search**
USPC D13/5, 7, 9, 158, 160; D15/143, 148, D15/199
CPC . F16D 1/076; F16H 1/16; F16H 48/08; F16H 2048/085; F16H 2048/385; F16H 2048/423; F16H 2048/426; F16H 55/17
See application file for complete search history.

(56) **References Cited**

U.S. PATENT DOCUMENTS

- D349,736 S * 8/1994 Hatting D21/561
- 5,562,561 A * 10/1996 Gillard F16H 48/08
475/231
- 5,715,733 A * 2/1998 Dissett F16H 48/142
74/650

- 5,845,533 A * 12/1998 Basstein B23F 15/06
74/462
- 5,901,618 A * 5/1999 Tyson F16H 48/12
192/200
- 6,053,073 A * 4/2000 Tyson F16H 48/142
192/200
- 6,053,074 A * 4/2000 Tyson F16H 48/142
475/331
- 6,062,105 A * 5/2000 Tyson F16H 48/142
74/650
- 6,540,640 B2 * 4/2003 Hibbler B60K 23/08
475/230
- 7,211,017 B2 * 5/2007 Green B60K 17/16
192/85.18
- D678,398 S * 3/2013 Huck F16D 1/101
D18/43
- D678,399 S * 3/2013 Huck F16D 1/101
D18/43
- D678,400 S * 3/2013 Huck F16D 1/101
D18/43
- D678,401 S * 3/2013 Huck F16D 1/101
D18/43

(Continued)

Primary Examiner — Patricia A Palasik

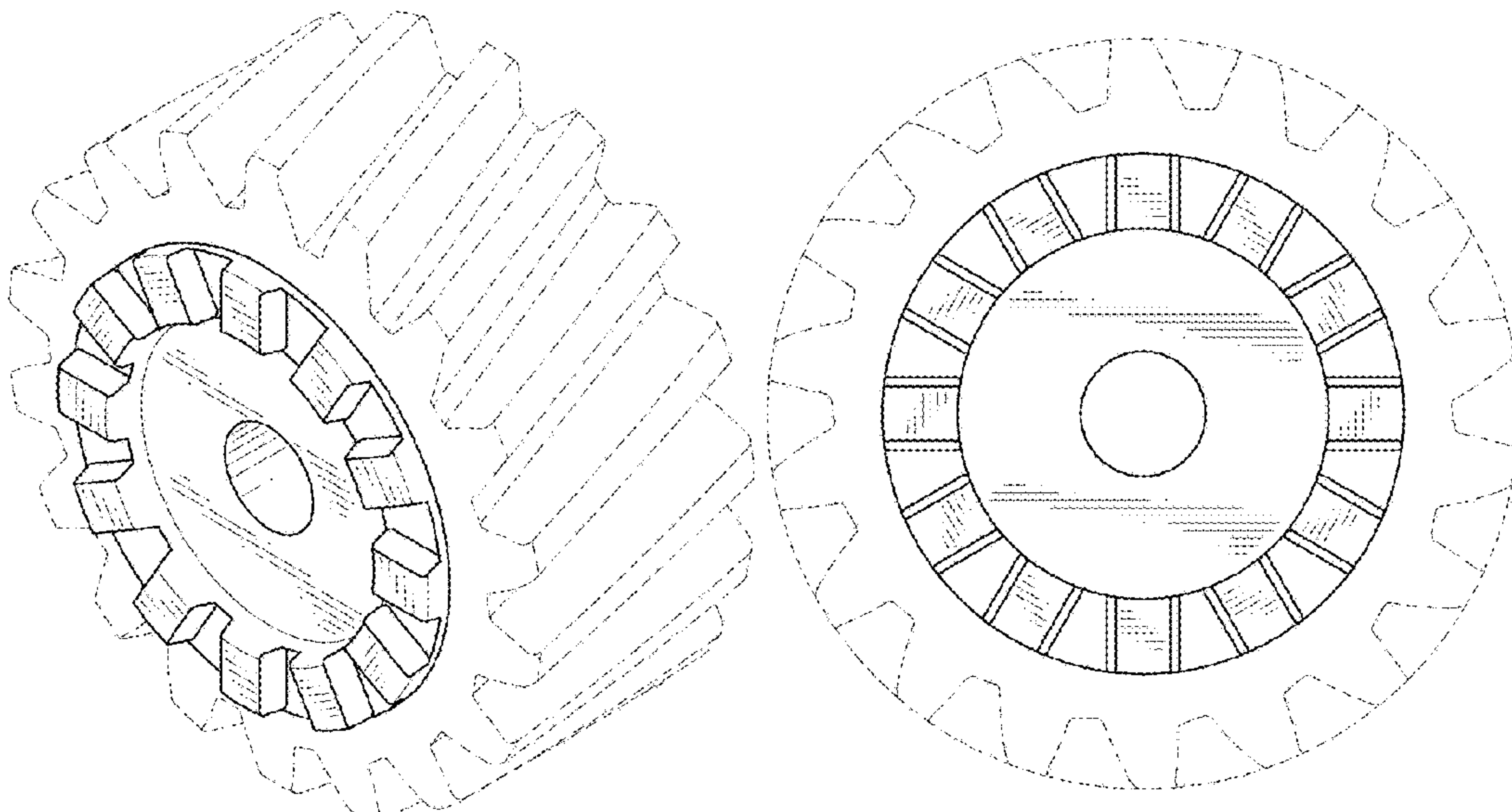
(57) **CLAIM**

The ornamental design for a gear, as shown and described.

DESCRIPTION

FIG. 1 is a perspective view of a gear showing my new design;
 FIG. 2 is a front view thereof;
 FIG. 3 is a rear view thereof;
 FIG. 4 is a left view thereof;
 FIG. 5 is a right view thereof;
 FIG. 6 is a top view thereof; and,
 FIG. 7 is a bottom view thereof.
 The broken lines in the figures are to show portions of the gear and form no part of the claimed design.

1 Claim, 4 Drawing Sheets



(56)

References Cited

U.S. PATENT DOCUMENTS

D678,939 S *	3/2013	Huck	F16D 1/101	2009/0011890 A1 *	1/2009	Bawks	F16D 7/044
				D18/43					475/231
D678,940 S *	3/2013	Huck	F16D 1/101	2009/0197732 A1 *	8/2009	Lyman	F16H 48/142
				D18/43					475/235
D679,751 S *	4/2013	Huck	F16D 1/101	2010/0113208 A1 *	5/2010	Haugeberg	F16H 48/142
				D18/43					475/236
9,868,459 B2 *	1/2018	Beyerlein	B62D 3/04	2015/0330455 A1 *	11/2015	Tesar	F16D 1/116
10,156,289 B2 *	12/2018	De Stefani	B60K 17/3462					464/81
D848,497 S *	5/2019	Zentmyer	D15/148	2016/0082510 A1 *	3/2016	Chase	F01D 5/043
2002/0034926 A1 *	3/2002	Yasuie	B23F 9/025					416/204 A
				451/47	2017/0023122 A1 *	1/2017	Cordingley	F16H 57/0031
2002/0151402 A1 *	10/2002	Zentmyer	F16H 48/142	2017/0204956 A1 *	7/2017	Martin	F16H 48/08
				475/231	2017/0232794 A1 *	8/2017	Abrahamson	B60K 17/165
2002/0164251 A1 *	11/2002	Sehgal	B64C 27/473					301/137
				416/134 A	2017/0284474 A1 *	10/2017	Chang	F16H 55/17
2007/0006673 A1 *	1/2007	Peterman	F16H 63/18	2018/0283465 A1 *	10/2018	Hirao	F16D 11/14
				74/329	2019/0111781 A1 *	4/2019	Keeney	B60K 17/36
					2019/0113119 A1 *	4/2019	Keeney	F16D 11/10
					2019/0154134 A1 *	5/2019	Grosskopf	F16H 57/043

* cited by examiner

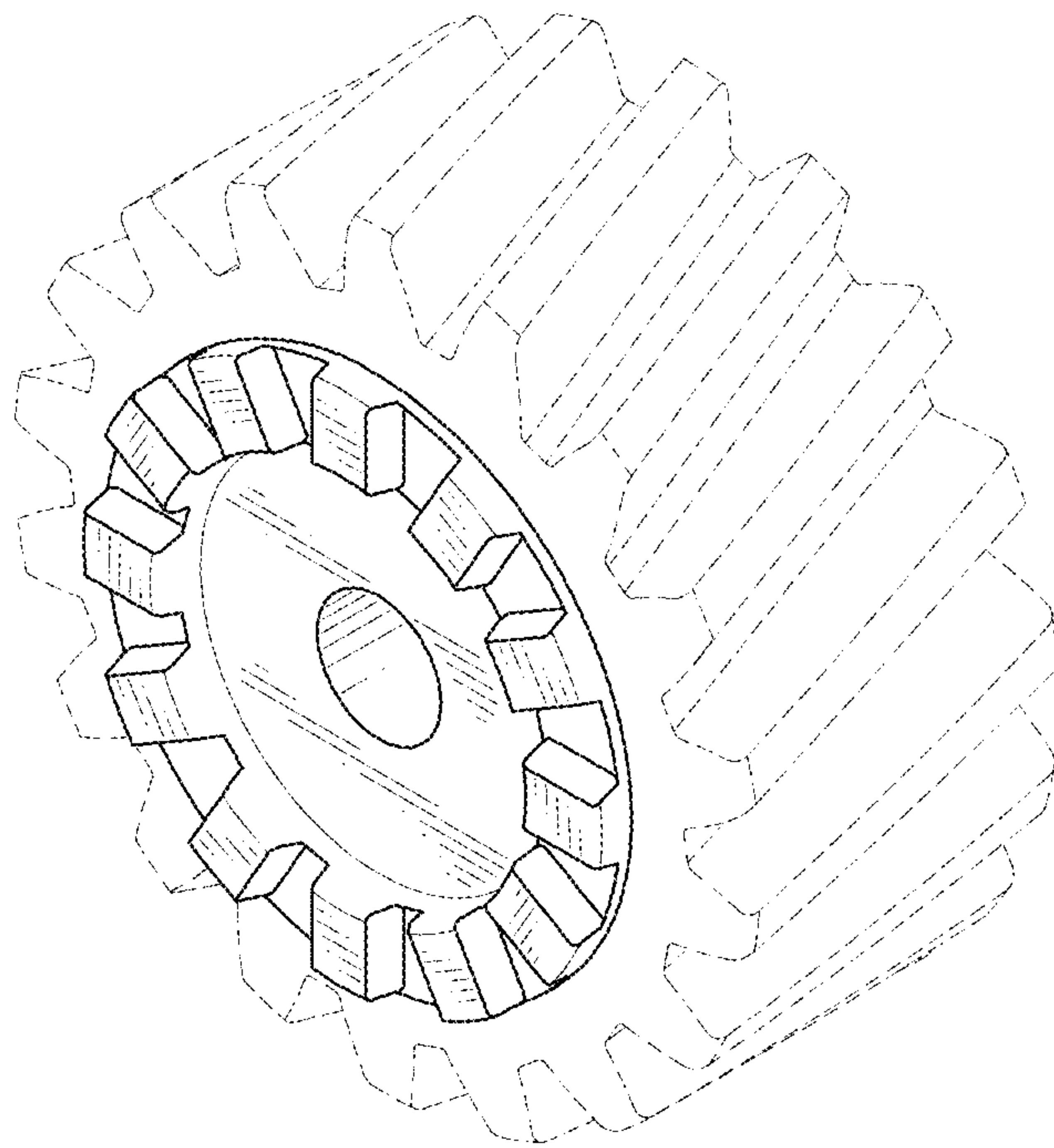


FIG. 1

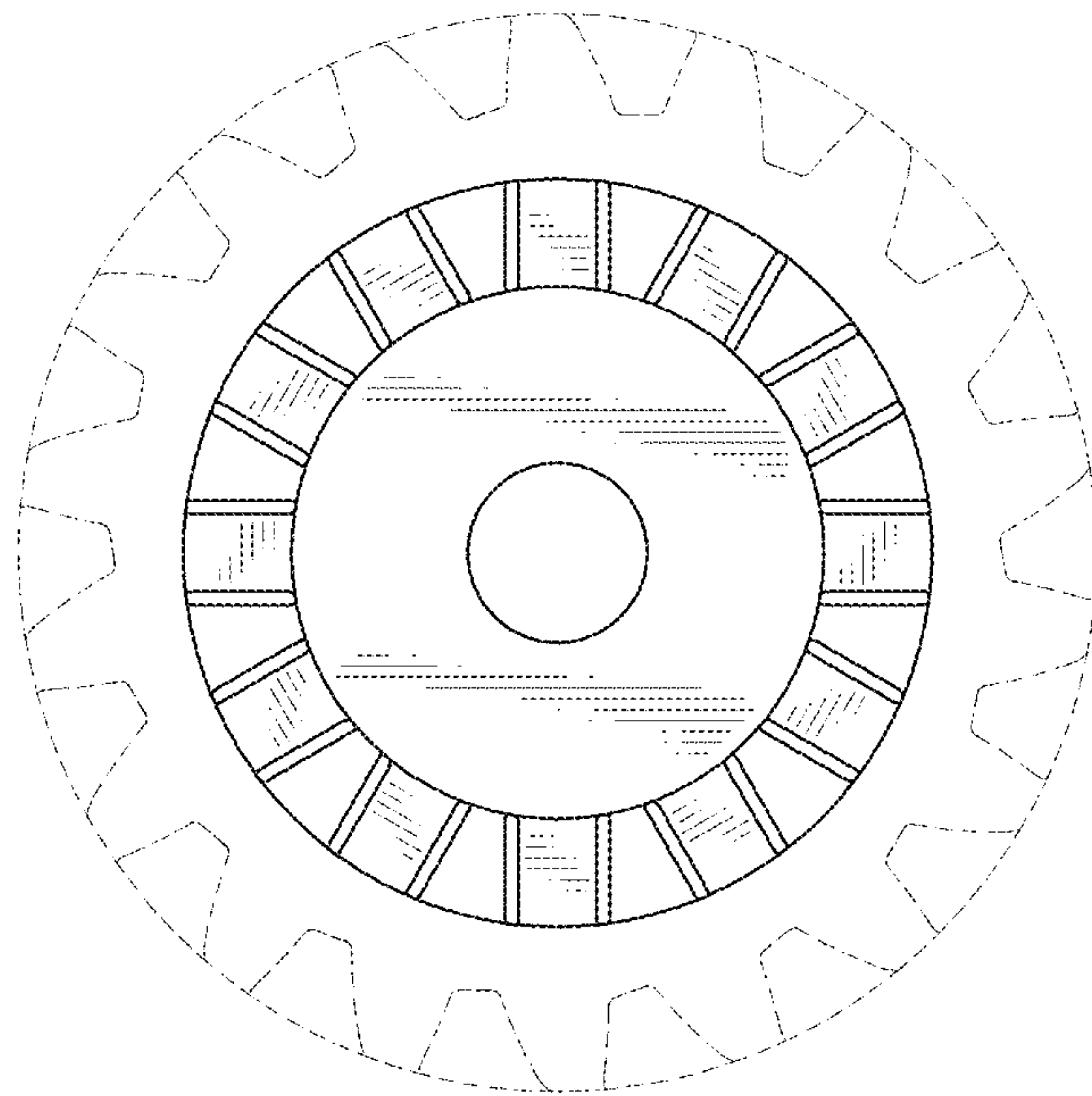


FIG. 2

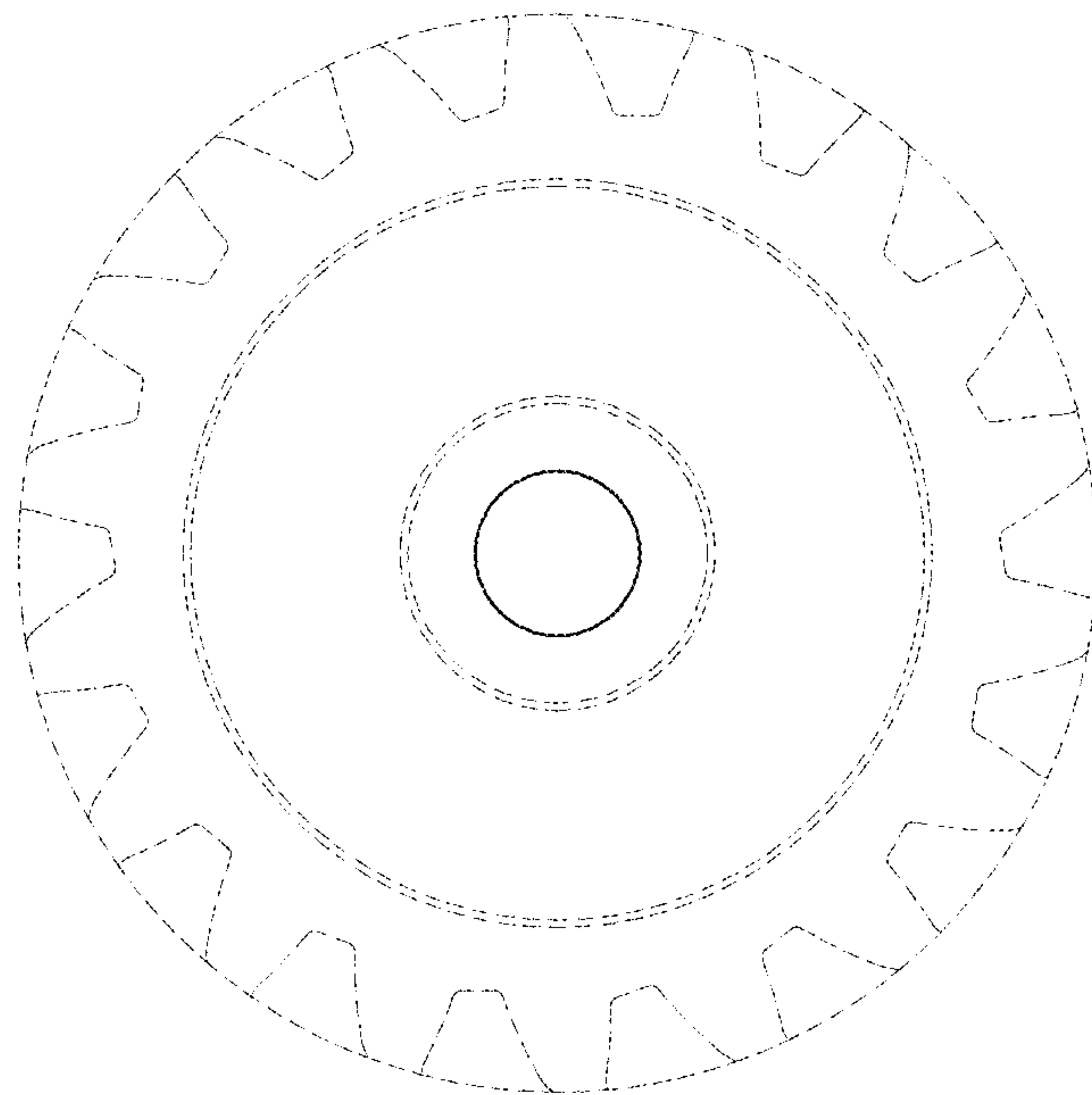


FIG. 3

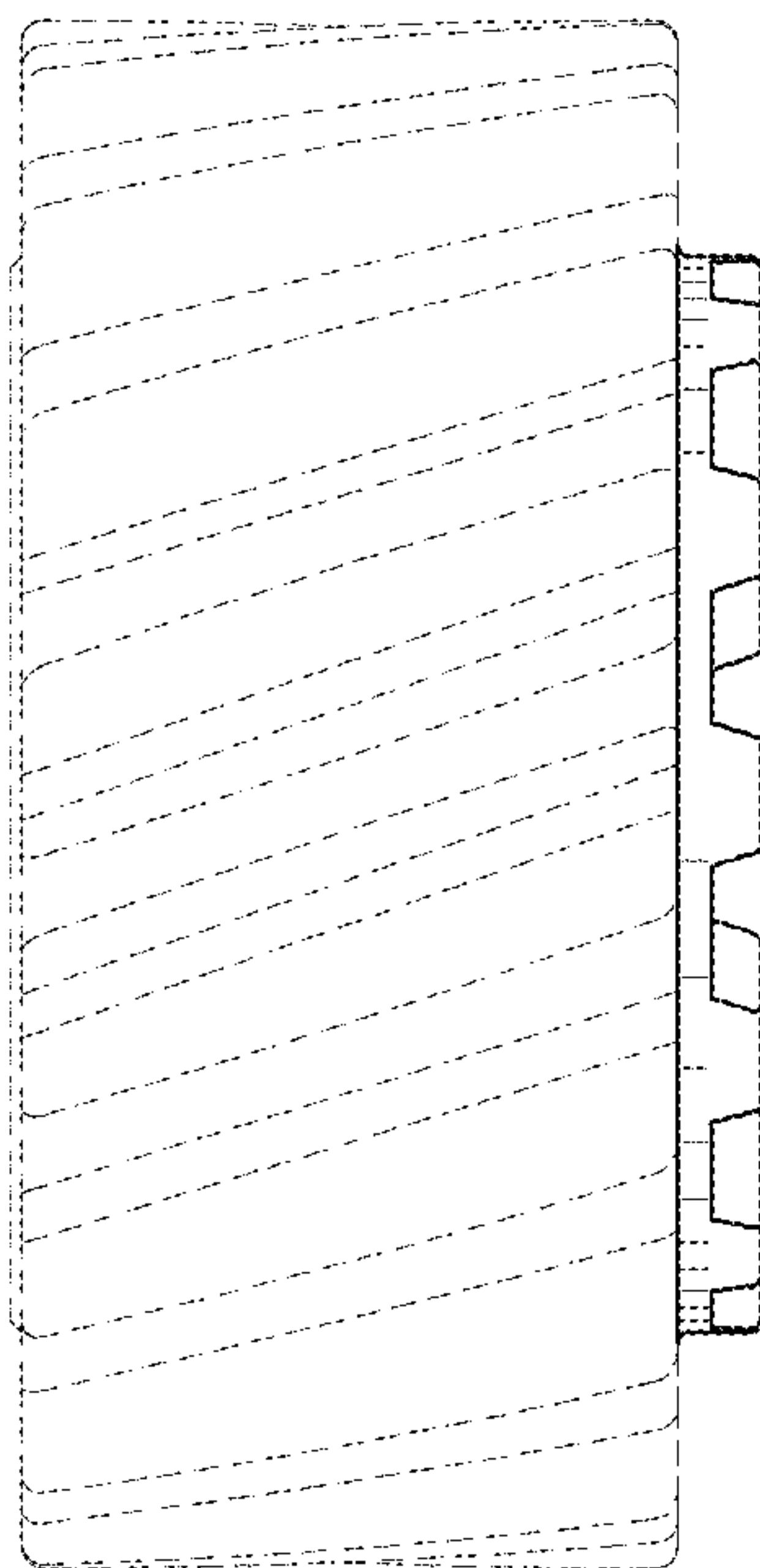


FIG. 4

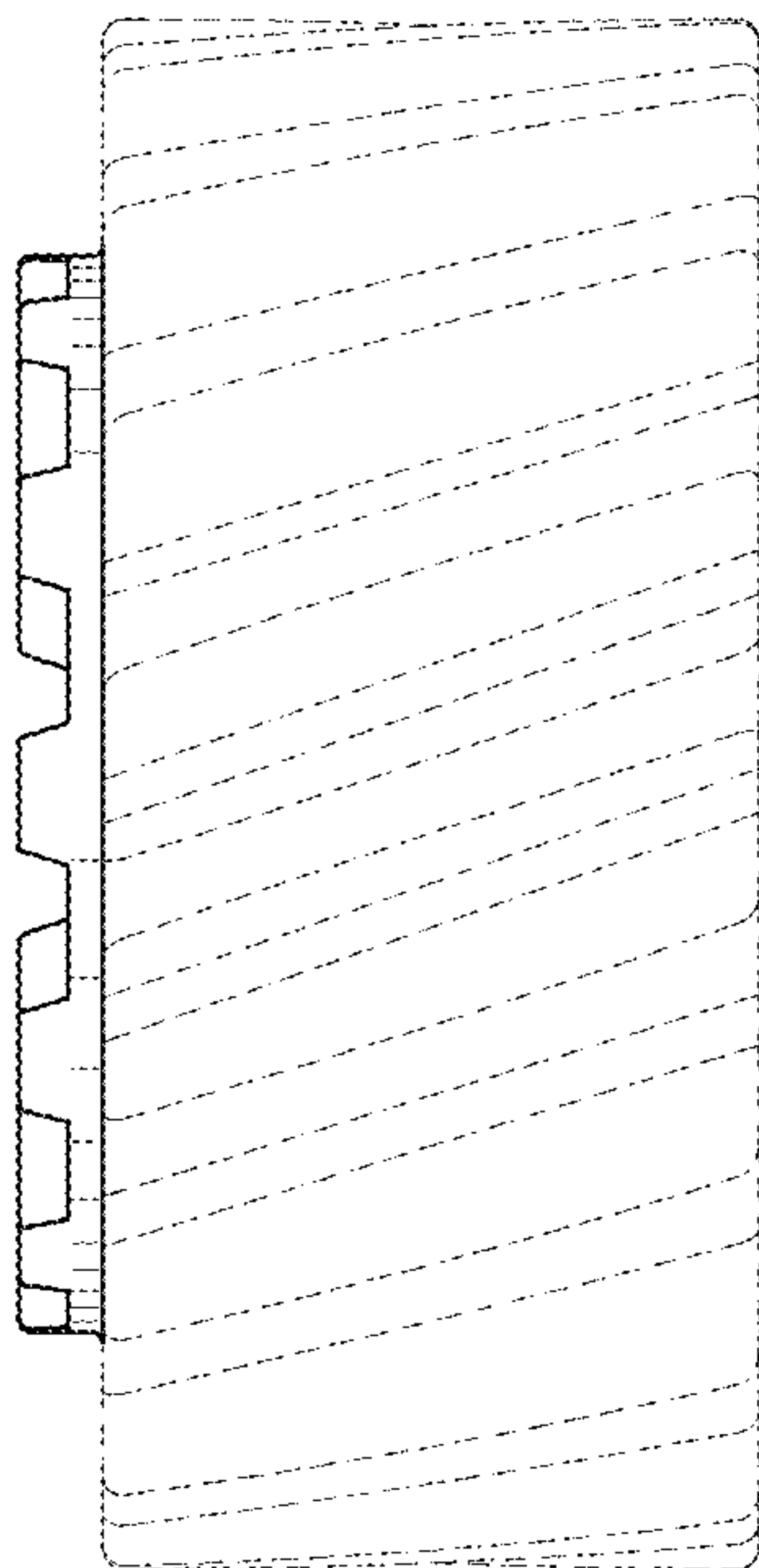


FIG. 5

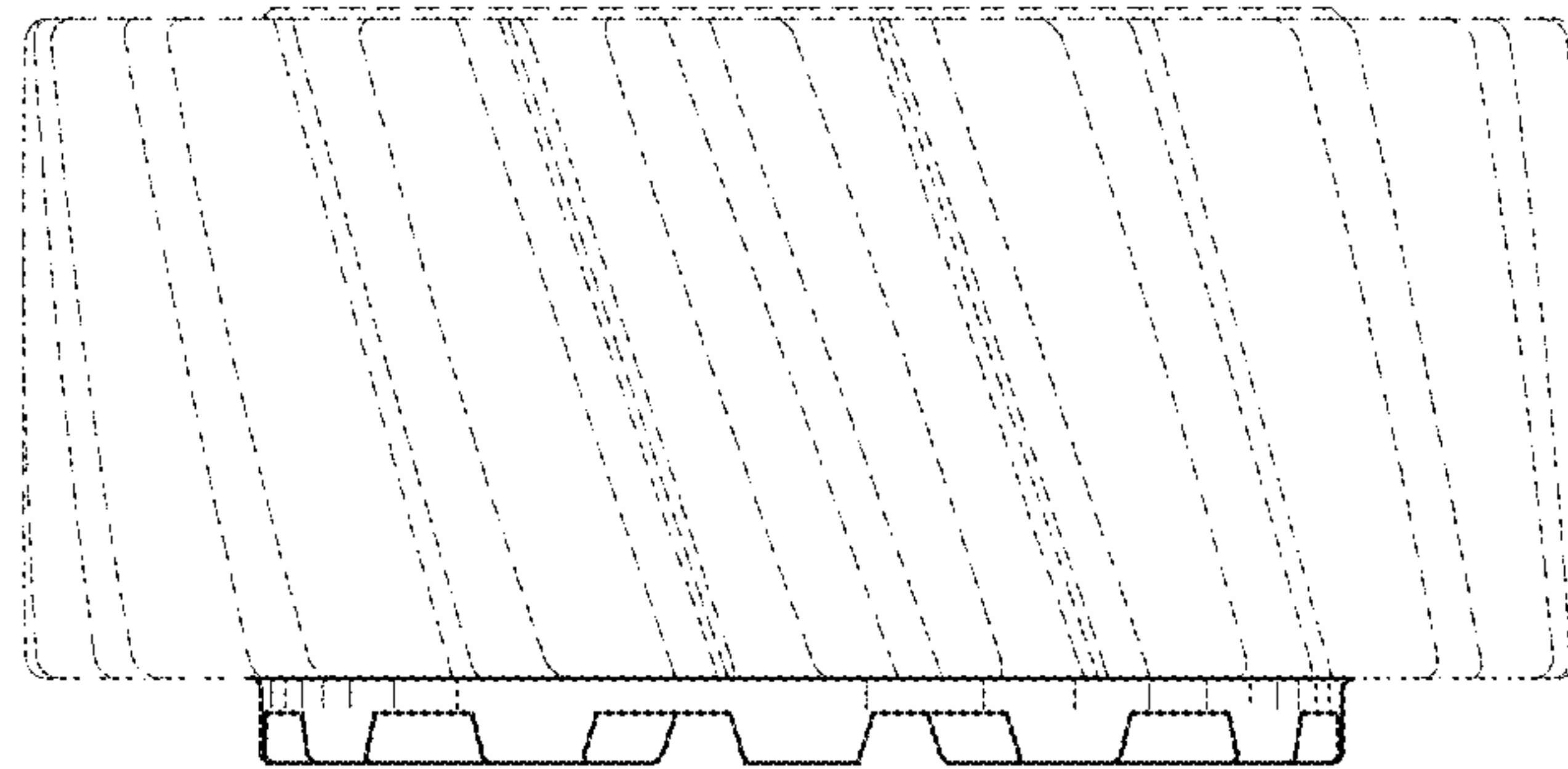


FIG. 6

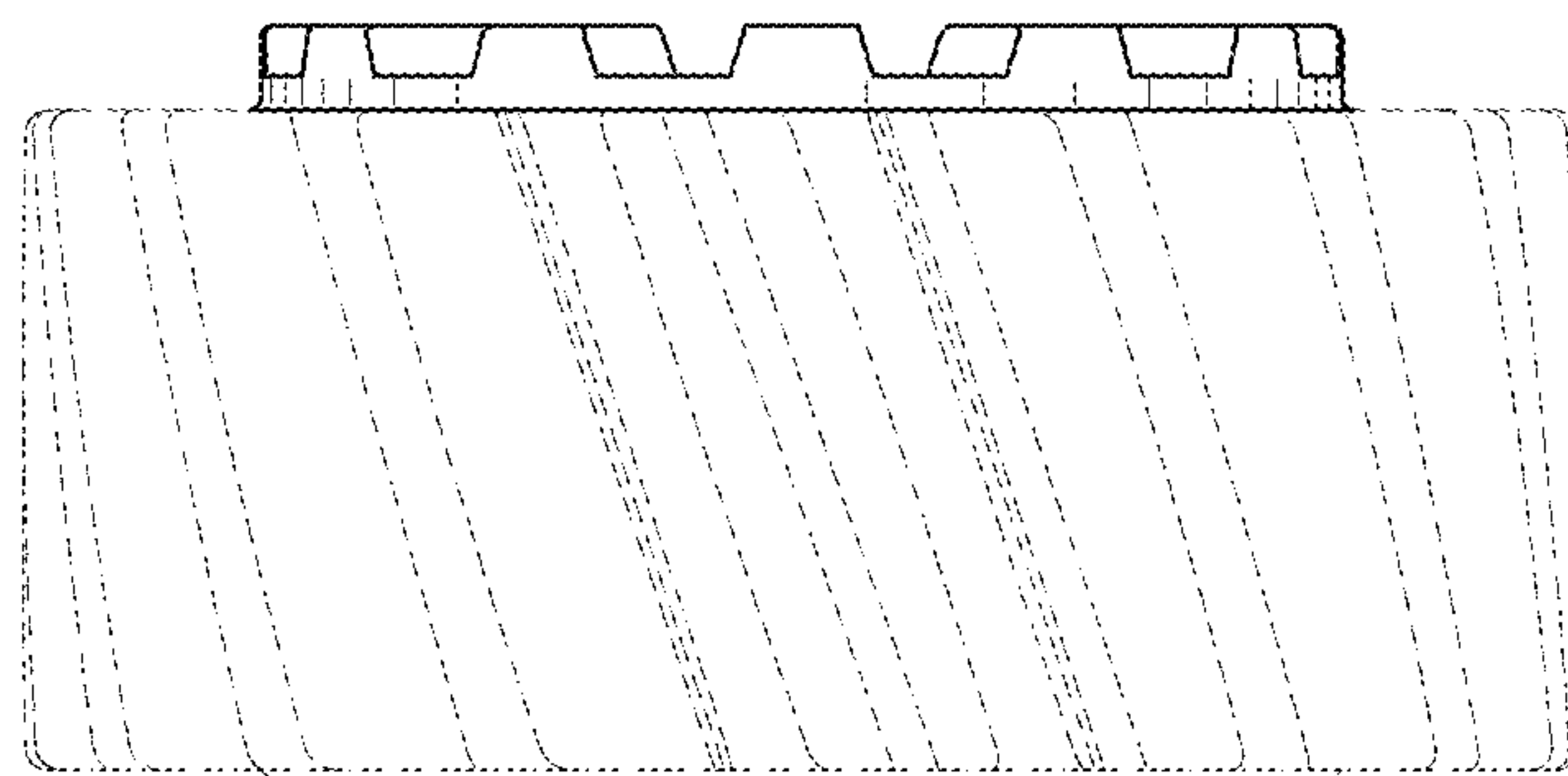


FIG. 7