



US00D879170S

(12) **United States Design Patent**  
**Brak**

(10) **Patent No.:** **US D879,170 S**  
(45) **Date of Patent:** **\*\* Mar. 24, 2020**

(54) **CENTRIFUGAL SEPARATOR**  
(71) Applicant: **GEA MECHANICAL EQUIPMENT GMBH, Oelde (DE)**  
(72) Inventor: **Eduard Brak, Oelde (DE)**  
(73) Assignee: **GEA MECHANICAL EQUIPMENT GmbH, Oelde (DE)**  
(\*\*) Term: **15 Years**  
(21) Appl. No.: **29/631,378**  
(22) Filed: **Dec. 29, 2017**

RE32,381 E \* 3/1987 Dudrey ..... B04B 7/18  
494/43  
D294,363 S \* 2/1988 Donhauser ..... D15/147  
4,915,682 A \* 4/1990 Stroucken ..... B04B 1/08  
494/56  
4,930,412 A \* 6/1990 Stroucken ..... B04B 1/08  
494/64  
D335,294 S \* 5/1993 Vallien ..... D15/147  
D633,119 S \* 2/2011 Mackel ..... D15/147  
2018/0141058 A1 \* 5/2018 Ortegren ..... B04B 5/005  
2018/0147582 A1 \* 5/2018 Casa ..... B04B 1/08  
2018/0195615 A1 \* 7/2018 Burford ..... B04B 15/06  
2018/0207649 A1 \* 7/2018 Pitkamaki ..... B04B 7/02  
2018/0318847 A1 \* 11/2018 Luersmann ..... B04B 1/08  
2018/0353973 A1 \* 12/2018 Hilding ..... B04B 11/02  
2019/0143342 A1 \* 5/2019 Sundin ..... G01P 3/26

\* cited by examiner

(30) **Foreign Application Priority Data**

Jun. 30, 2017 (EP) ..... 004075836  
Dec. 14, 2017 (EP) ..... 004548352

*Primary Examiner* — Patricia A Palasik

(74) *Attorney, Agent, or Firm* — Patent Portfolio Builders PLLC

(51) **LOC (12) Cl.** ..... **15-09**  
(52) **U.S. Cl.**  
USPC ..... **D15/147**

(57) **CLAIM**

The ornamental design for an centrifugal separator substantially, as shown and described.

(58) **Field of Classification Search**  
USPC ..... D15/122, 138, 147, 199  
CPC .. B04B 1/08; B04B 5/005; B04B 7/14; B04B 9/02; B04B 9/06; B04B 11/02; F01M 2013/0422  
See application file for complete search history.

**DESCRIPTION**

FIG. 1 is a front view of a centrifugal separator;  
FIG. 2 is a left side view of FIG. 1;  
FIG. 3 is a rear view of FIG. 1;  
FIG. 4 is a right side view of FIG. 1;  
FIG. 5 is a bottom view of FIG. 1;  
FIG. 6 is a top view of FIG. 1; and,  
FIG. 7 is a perspective view of FIG. 1.

The broken lines in the drawings depict portions of the centrifugal separator which form no part of the claimed design.

(56) **References Cited**

**U.S. PATENT DOCUMENTS**

D90,365 S \* 7/1933 Gilmore ..... D7/369  
D118,147 S \* 12/1939 Jones ..... D15/147  
D168,013 S \* 10/1952 Aller ..... D7/369  
D178,222 S \* 7/1956 Cook ..... D7/369  
4,504,262 A \* 3/1985 Forsberg ..... B04B 1/20  
494/53

**1 Claim, 7 Drawing Sheets**

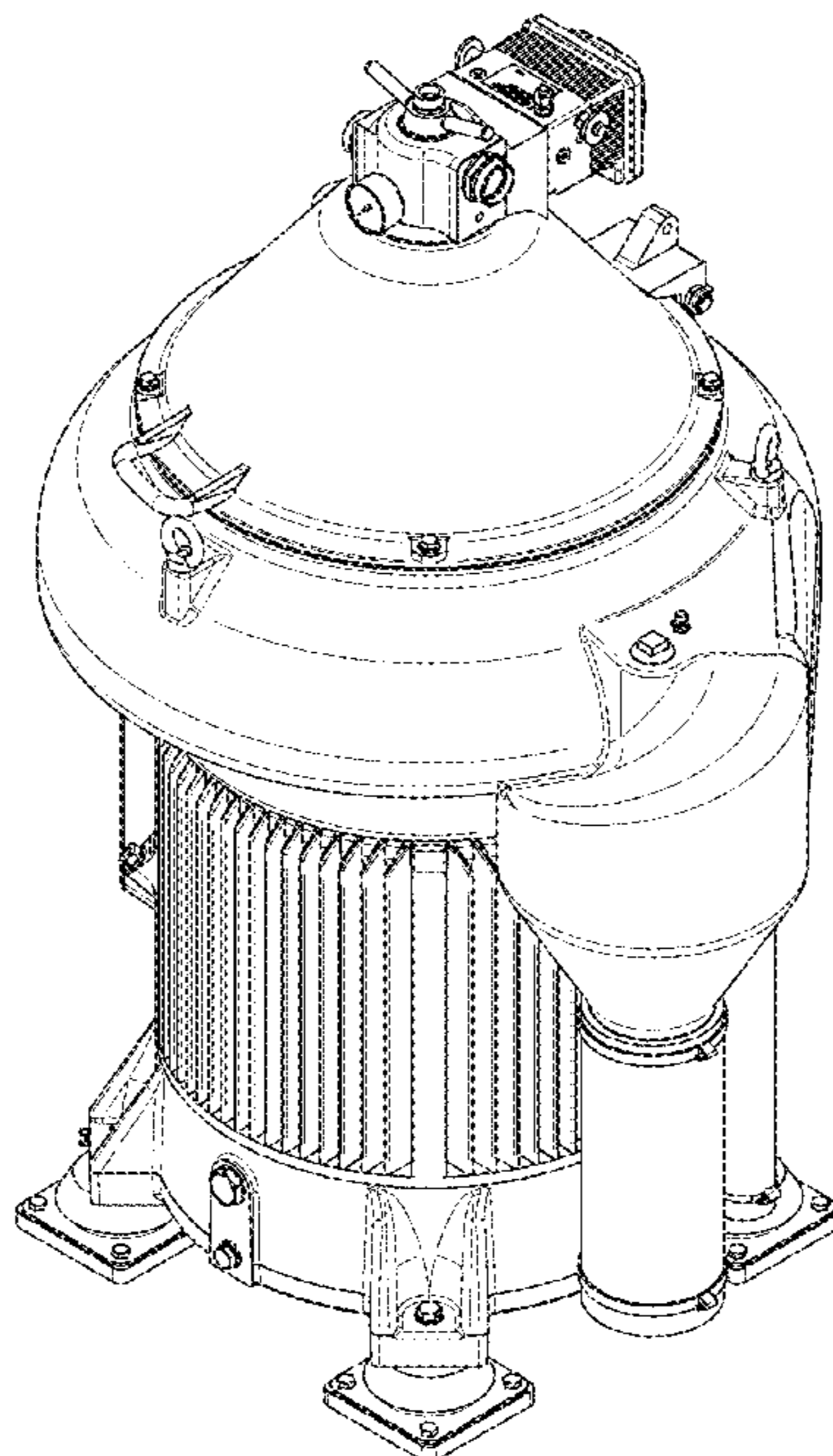
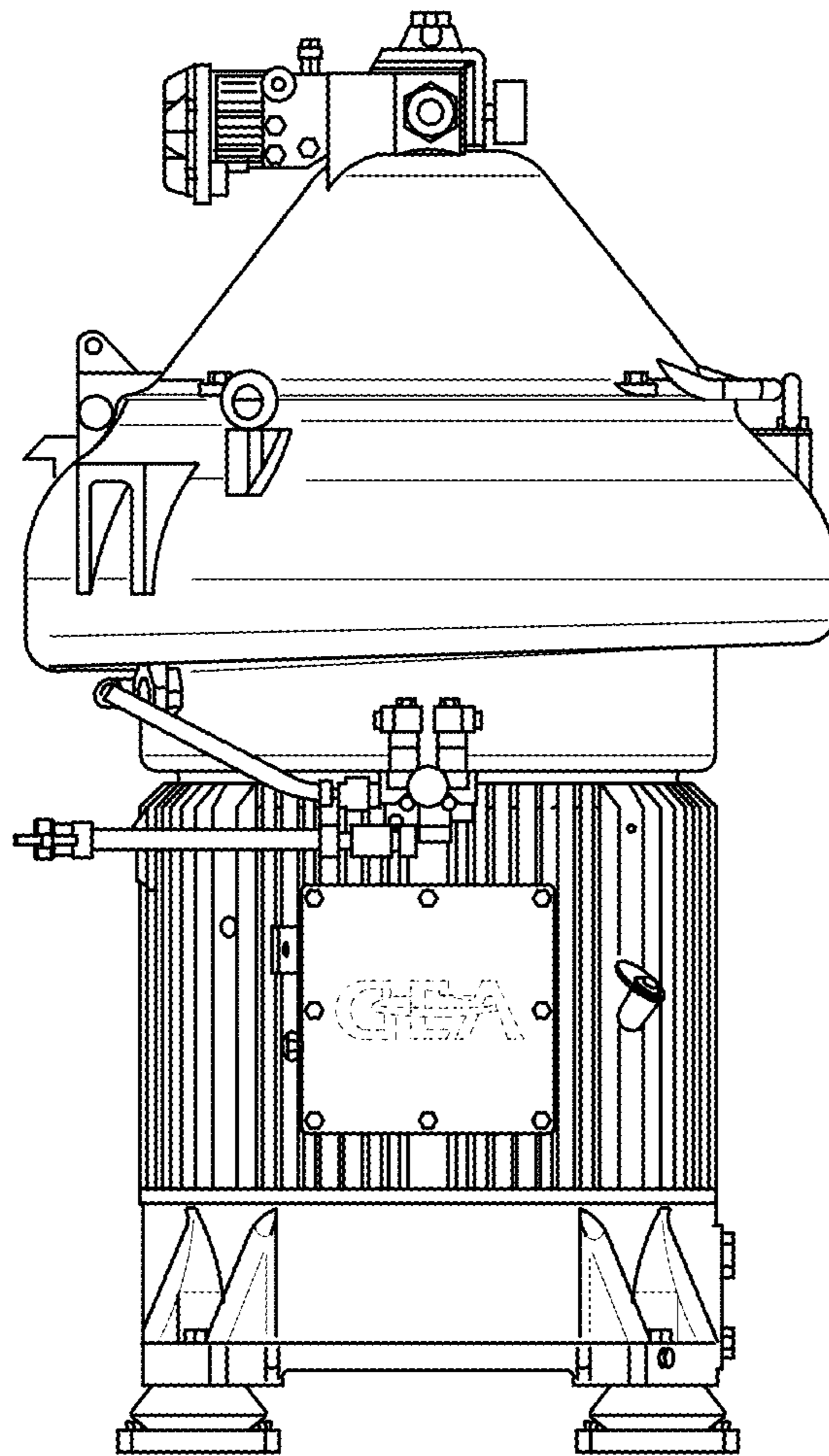


Figure 1



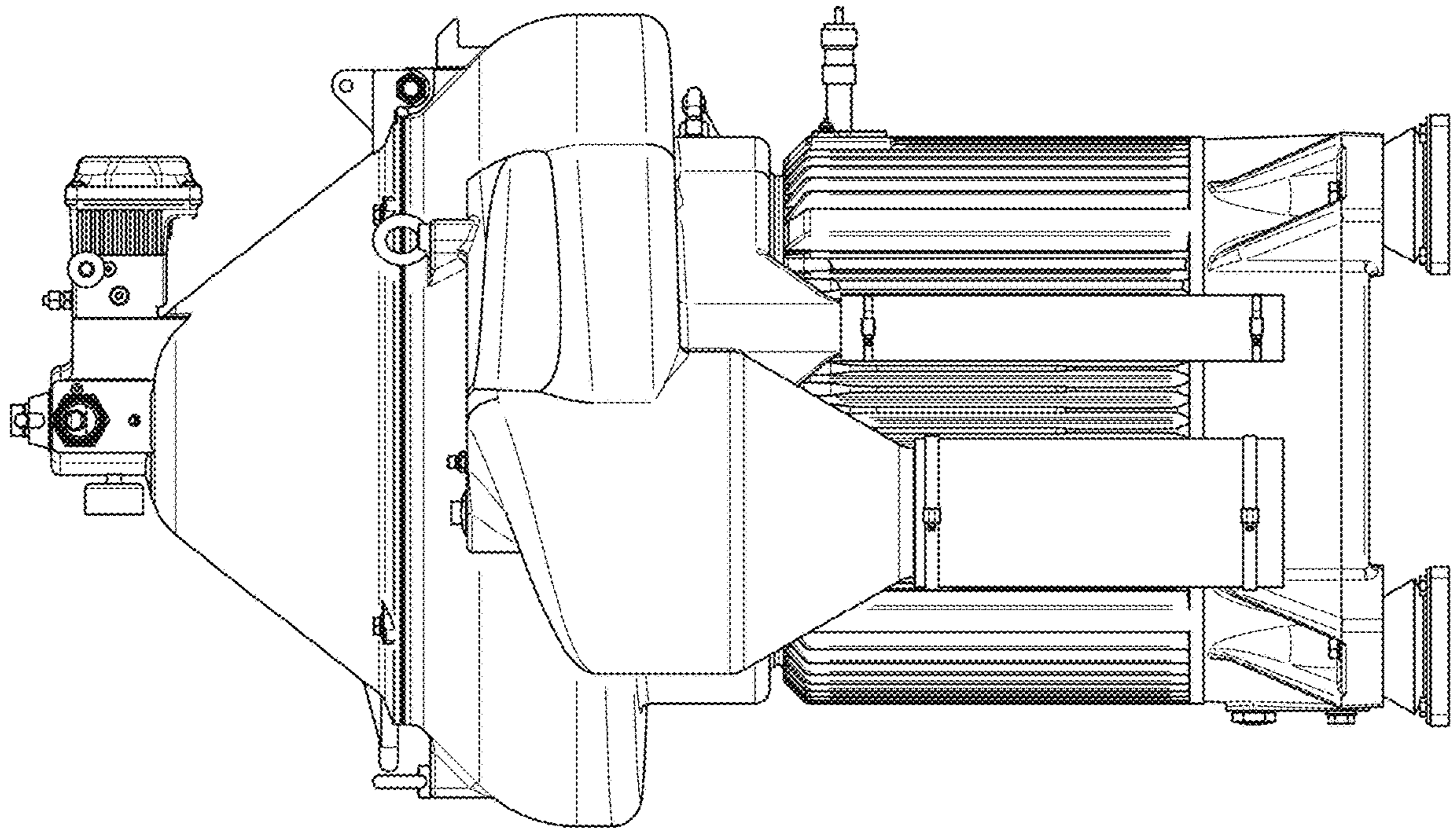
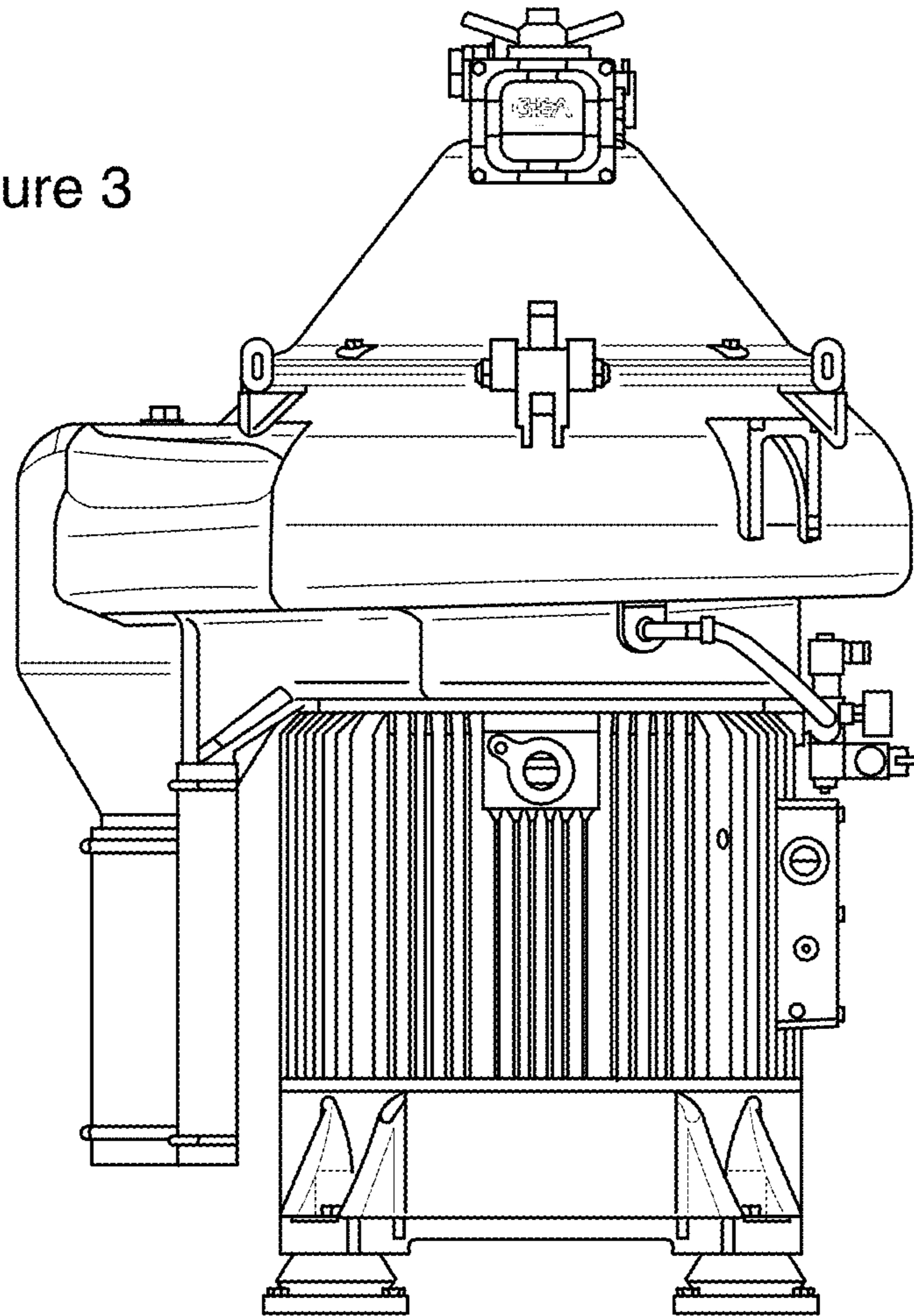


Figure 2

Figure 3



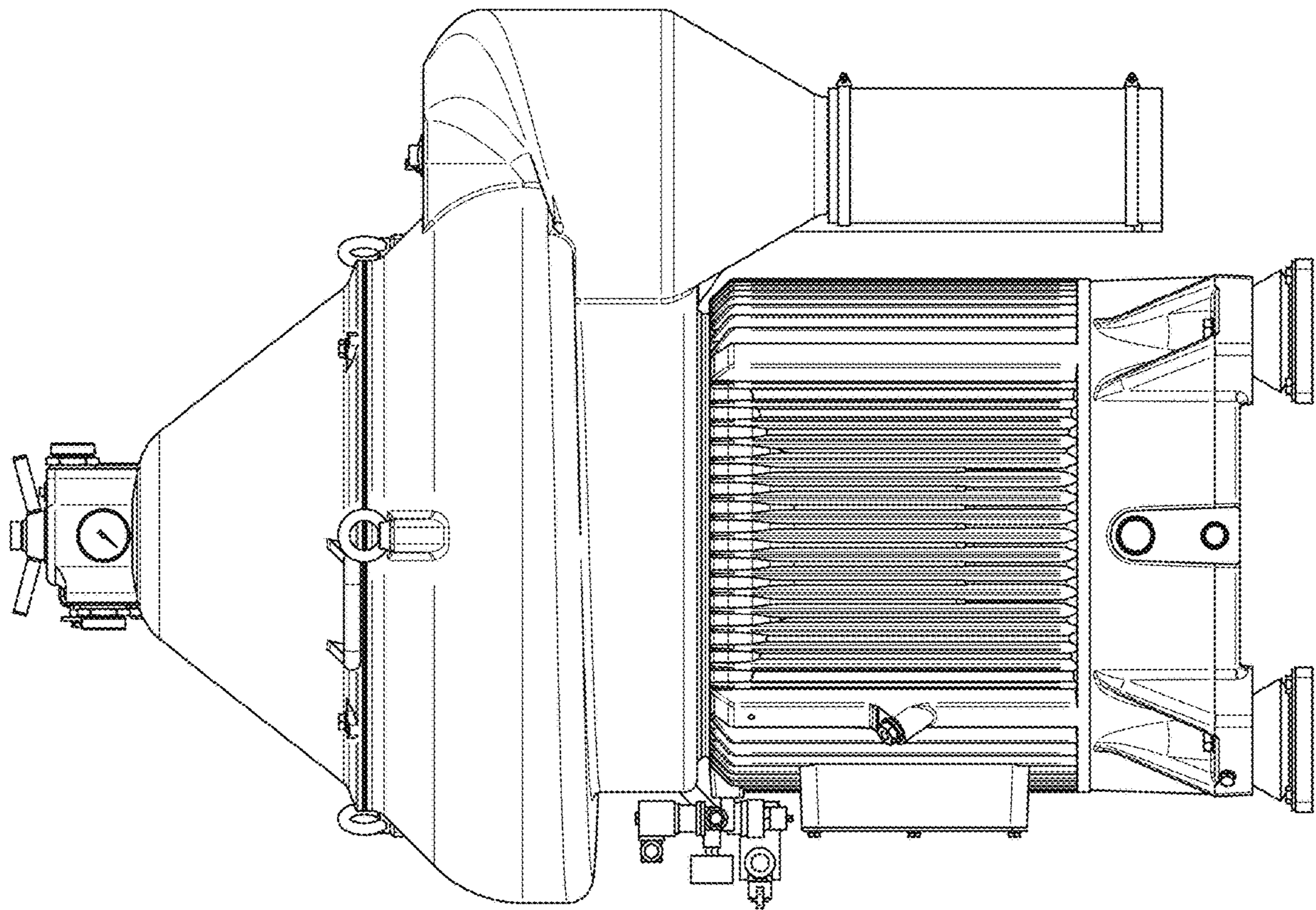


Figure 4

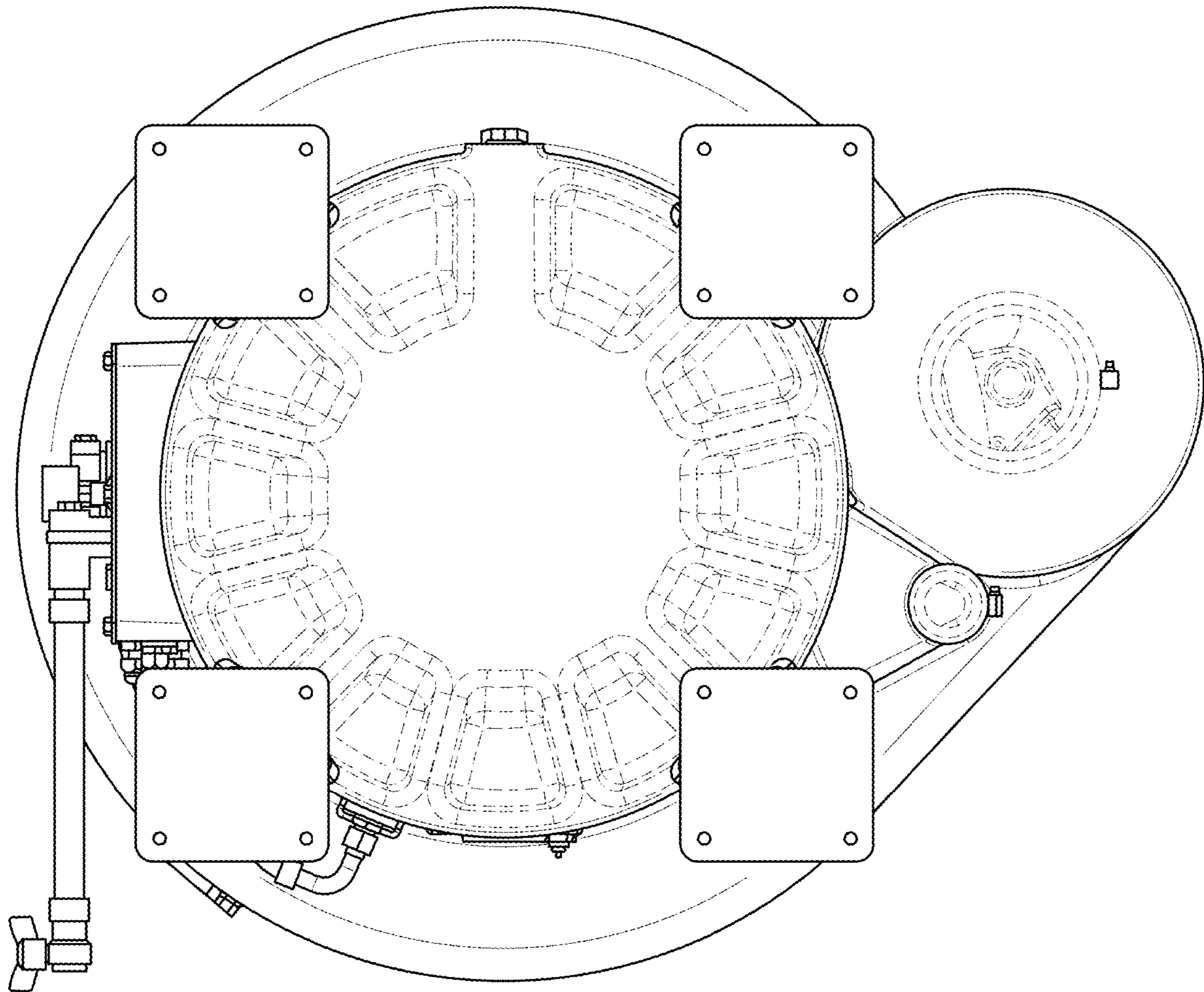
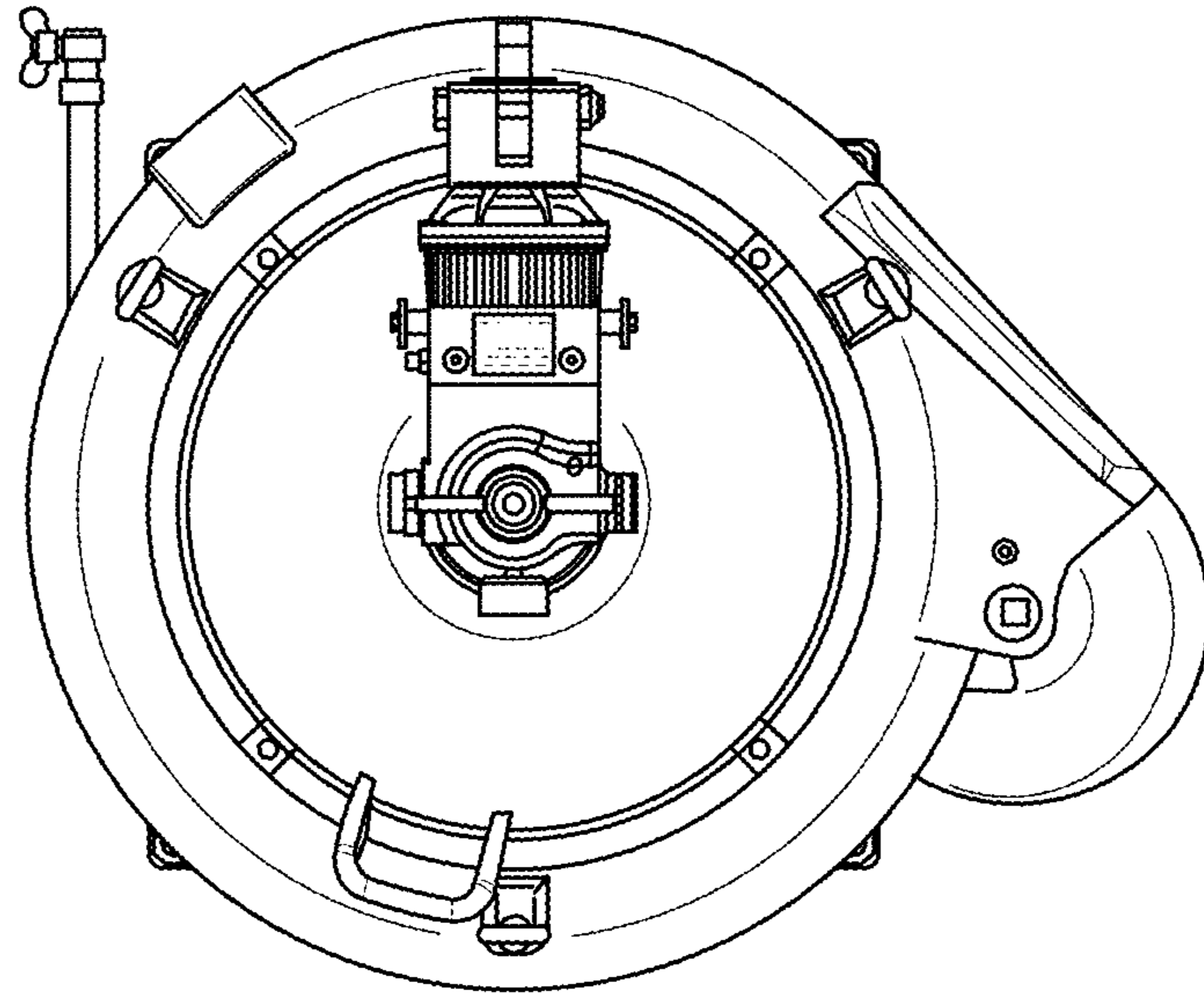


FIG. 5

Figure 6



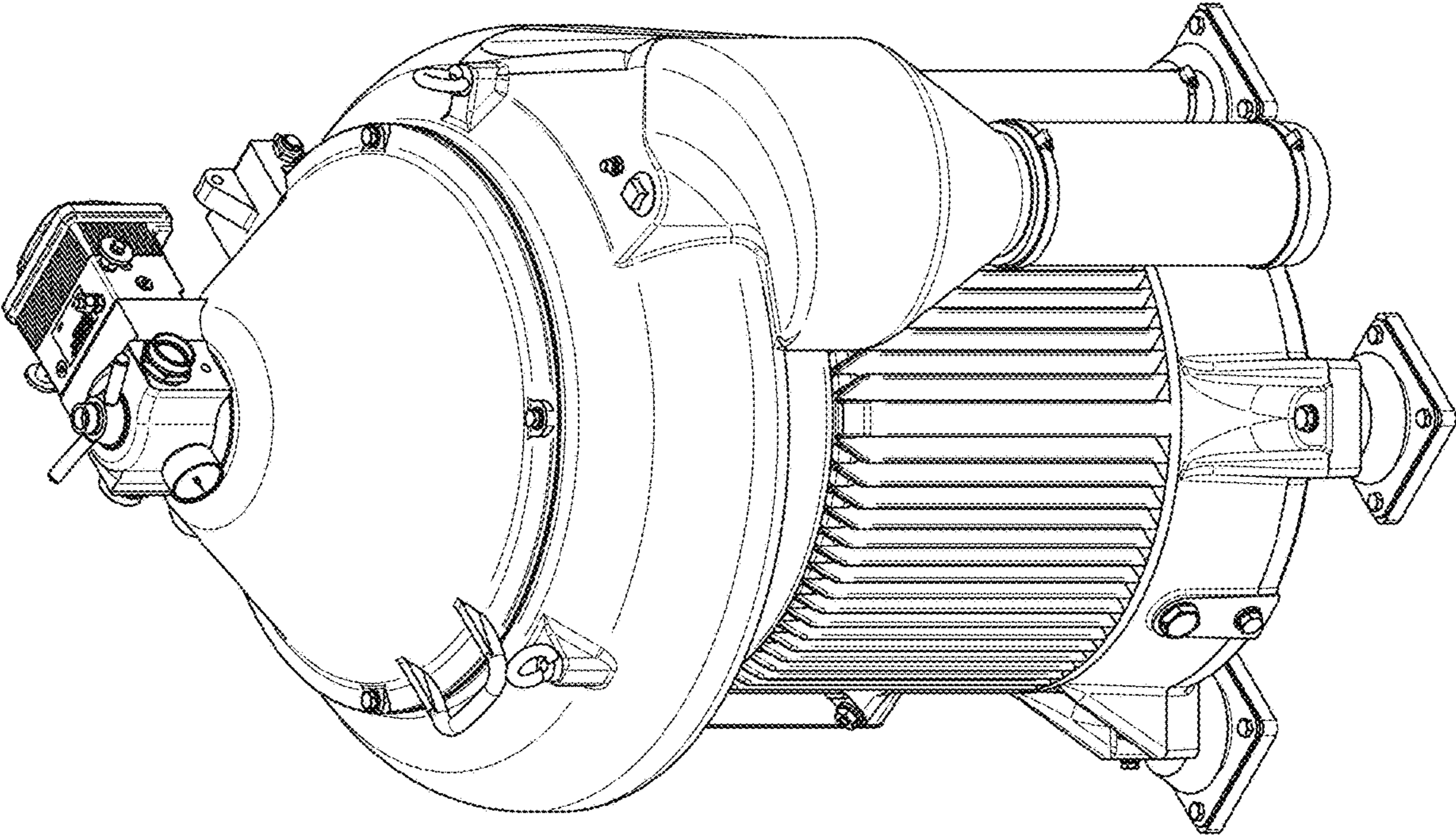


Figure 7