



US00D879169S

(12) **United States Design Patent**  
**Xu**

(10) **Patent No.:** **US D879,169 S**  
(45) **Date of Patent:** **\*\* Mar. 24, 2020**

(54) **ELECTRIC SOLDERING IRON**

(71) Applicant: **Qiuxian Xu**, Putian (CN)

(72) Inventor: **Qiuxian Xu**, Putian (CN)

(\*\*) Term: **15 Years**

(21) Appl. No.: **29/710,887**

(22) Filed: **Oct. 28, 2019**

(51) **LOC (12) Cl.** ..... **15-09**

(52) **U.S. Cl.**  
USPC ..... **D15/144.2**; D8/30

(58) **Field of Classification Search**  
USPC ..... D8/29.1, 29.2, 30, 61; D15/144, 144.1,  
D15/144.2; D24/144  
CPC . B23K 3/02; B23K 3/03; B23K 3/021; B23K  
3/022; B23K 3/023; B23K 3/027; B23K  
3/033; B23K 3/0338; B23K 3/0346;  
B23K 3/0361; B23K 3/3023  
See application file for complete search history.

(56) **References Cited**

**U.S. PATENT DOCUMENTS**

3,699,306	A *	10/1972	Finch	.....	B23K 3/0338	219/241
3,770,183	A *	11/1973	Vanyi	.....	B23K 3/033	228/53
D243,147	S *	1/1977	Sylvester	.....	D8/30	
D300,200	S *	3/1989	Arehart	.....	D8/30	
4,873,608	A *	10/1989	Yoshimura	.....	B23K 3/0338	361/220
5,803,061	A *	9/1998	Kao	.....	B23K 3/022	126/413
5,915,955	A *	6/1999	Lin	.....	B23K 3/022	126/413
5,921,231	A *	7/1999	Butler	.....	B23K 3/022	126/405
5,928,536	A *	7/1999	Lee	.....	B23K 3/033	219/229
D423,897	S *	5/2000	Cooper	.....	D8/61	

D474,086	S *	5/2003	Heun	.....	D8/61	
D481,278	S *	10/2003	Murillo	.....	D8/30	
D489,079	S *	4/2004	Horner-Richardson	.....	D15/144	
6,874,671	B2 *	4/2005	Hirano	.....	B23K 3/022	126/414
D533,416	S *	12/2006	Axinte	.....	D8/30	
D535,396	S *	1/2007	Reschke	.....	D24/144	
D559,055	S *	1/2008	Axinte	.....	D8/30	
D564,319	S *	3/2008	Tsai	.....	D15/144	
D565,916	S *	4/2008	Chen	.....	D8/61	
9,314,863	B2 *	4/2016	Teraoka	.....	B23K 3/033	
D813,628	S *	3/2018	Tsai	.....	D8/30	

(Continued)

*Primary Examiner* — Patricia A Palasik

(74) *Attorney, Agent, or Firm* — ZanIP; Jie Yang

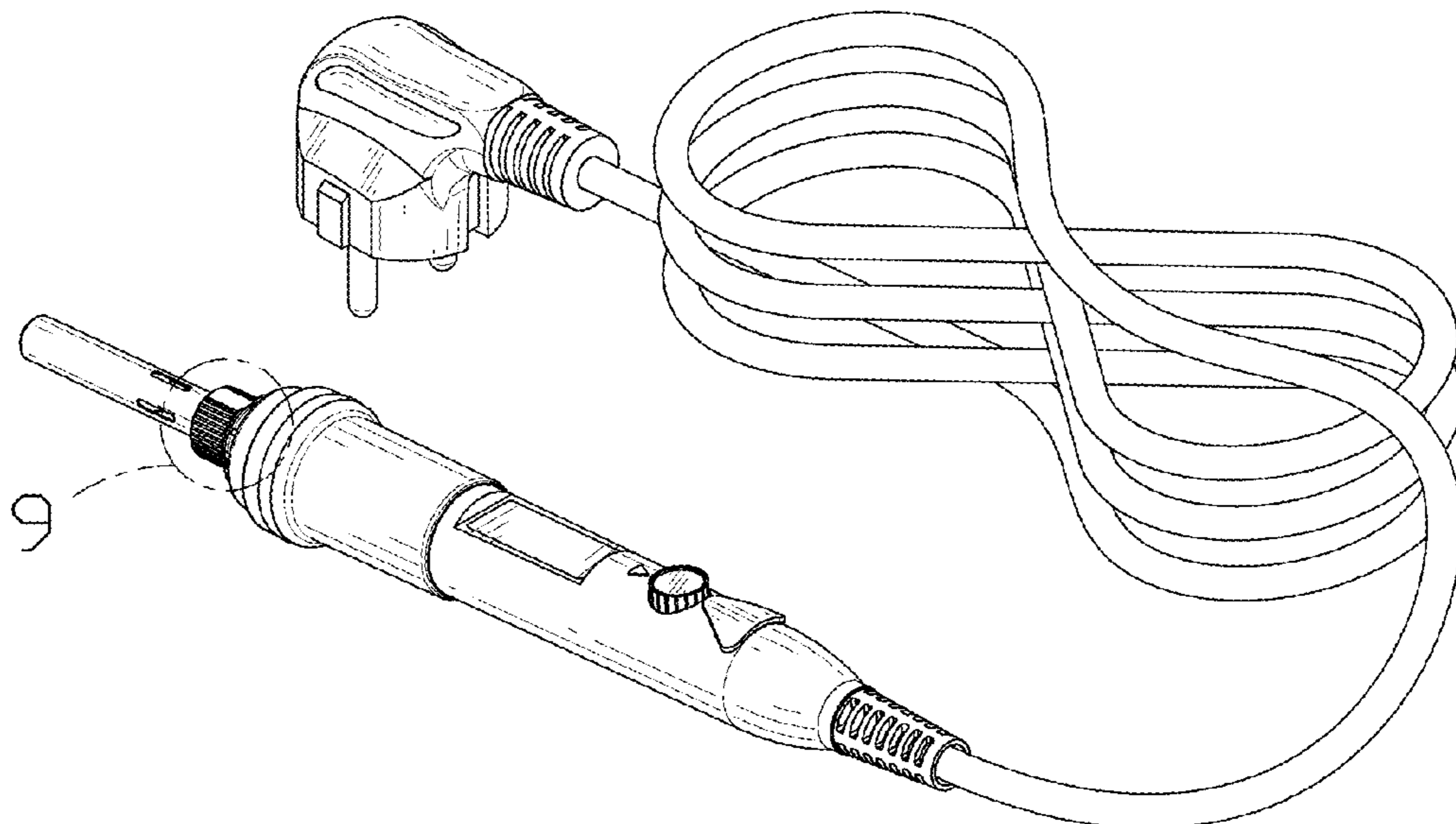
(57) **CLAIM**

The ornamental design for an electric soldering iron, as shown and described.

**DESCRIPTION**

FIG. 1 is a front perspective view of an electric soldering iron, showing my new design;  
 FIG. 2 is a rear perspective view thereof;  
 FIG. 3 is a front elevational view thereof;  
 FIG. 4 is a rear elevational view thereof;  
 FIG. 5 is a left side elevational view thereof;  
 FIG. 6 is a right side elevational view thereof;  
 FIG. 7 is a top plan view thereof;  
 FIG. 8 is a bottom plan view thereof;  
 FIG. 9 is an enlarged view of a portion indicated in FIG. 1;  
 FIG. 10 is an enlarged view of a portion indicated in FIG. 7;  
 and,  
 FIG. 11 is an enlarged view of a portion indicated in FIG. 8.  
 The broken lines in the figures illustrate portions of the electric soldering iron that form no part of the claimed design.

**1 Claim, 11 Drawing Sheets**



(56)

**References Cited**

U.S. PATENT DOCUMENTS

D847,233 S \* 4/2019 Gou ..... D15/144  
D847,234 S \* 4/2019 Gou ..... D15/144  
D847,235 S \* 4/2019 Gou ..... D15/144  
D848,232 S \* 5/2019 Tsai ..... D8/30  
D862,547 S \* 10/2019 Xie ..... D15/144.2  
2003/0146264 A1\* 8/2003 Miyazaki ..... B23K 3/027  
228/51  
2004/0232132 A1\* 11/2004 Masaki ..... B23K 3/033  
219/229  
2006/0108345 A1\* 5/2006 Shigekawa ..... B23K 3/0338  
219/229  
2011/0168762 A1\* 7/2011 Chang ..... B23K 3/025  
228/41  
2013/0105466 A1\* 5/2013 Teraoka ..... B23K 3/033  
219/538  
2017/0182577 A1\* 6/2017 Kataoka ..... B23K 3/0307  
2017/0368627 A1\* 12/2017 Shigekawa ..... B23K 1/00  
2019/0240756 A1\* 8/2019 Weissenberger ..... B23K 3/026

\* cited by examiner

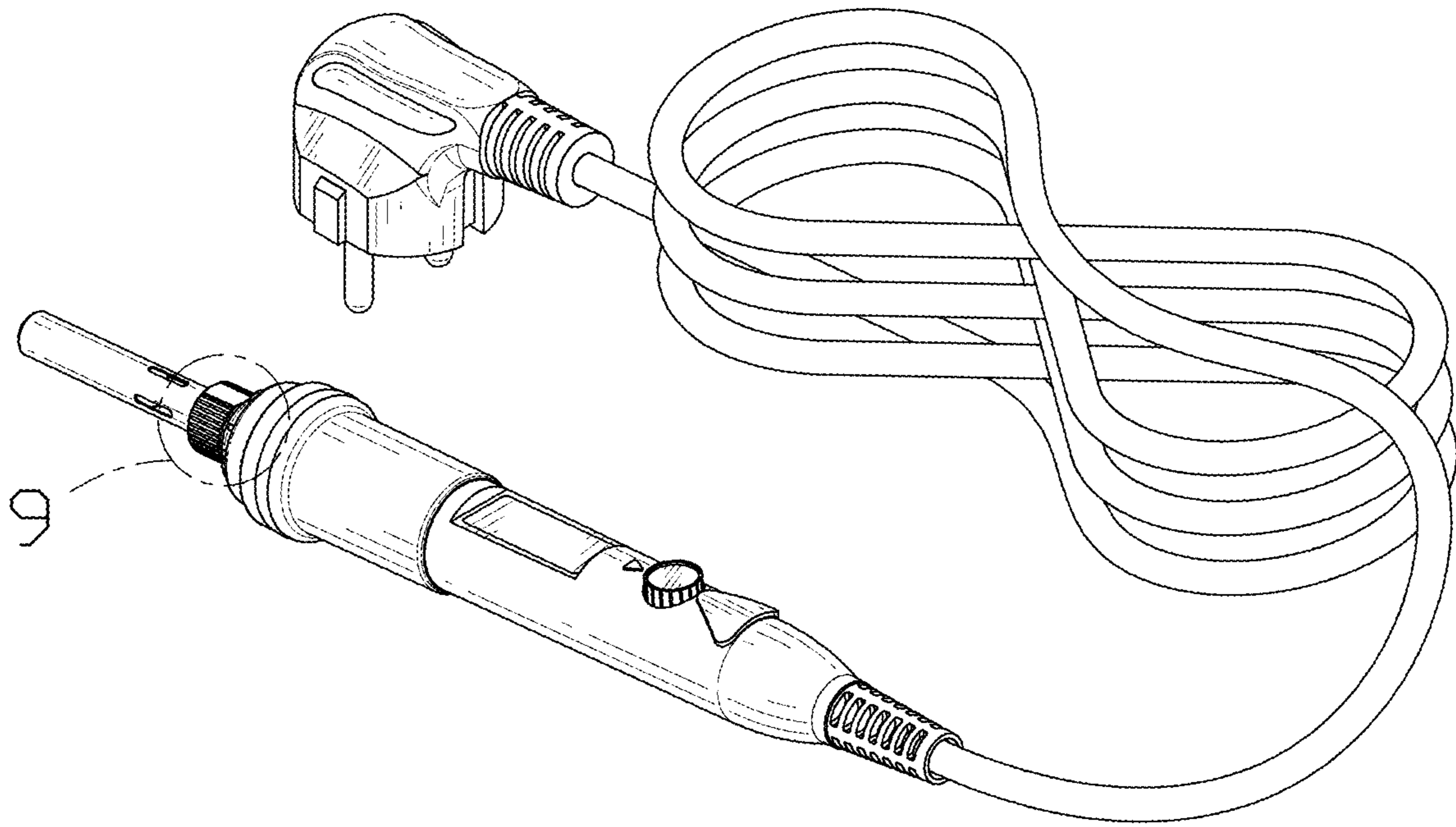


FIG. 1

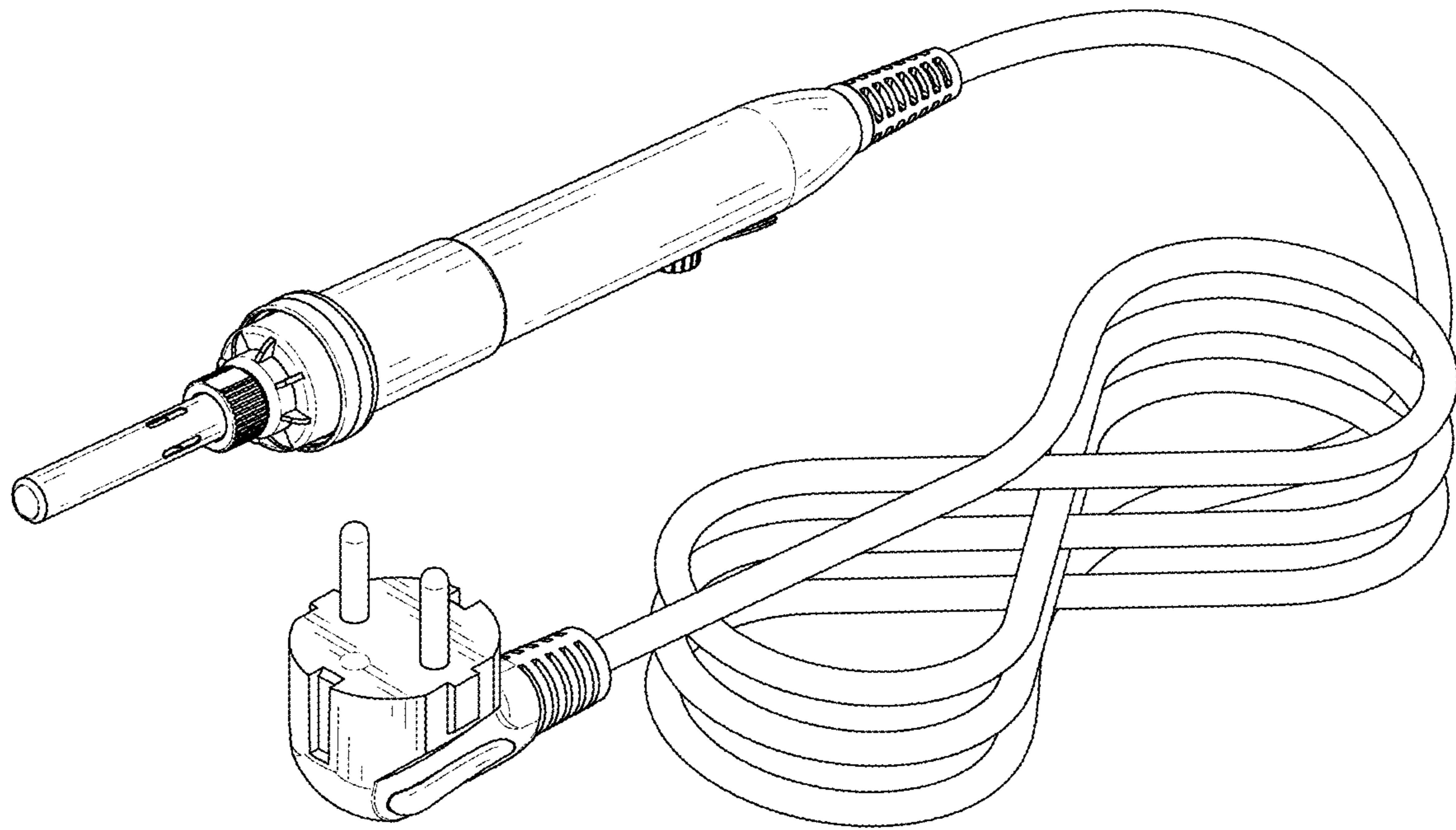


FIG. 2

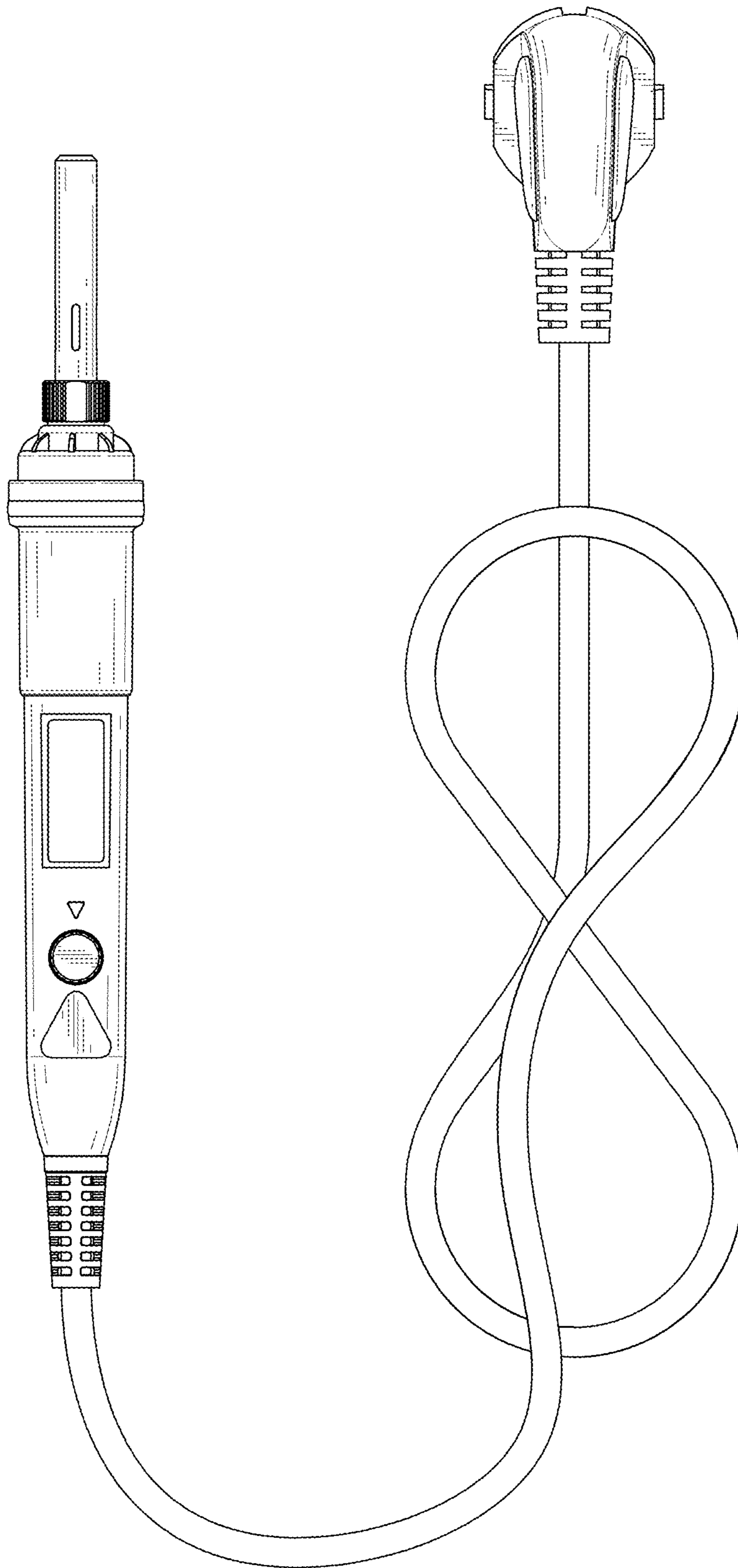


FIG. 3

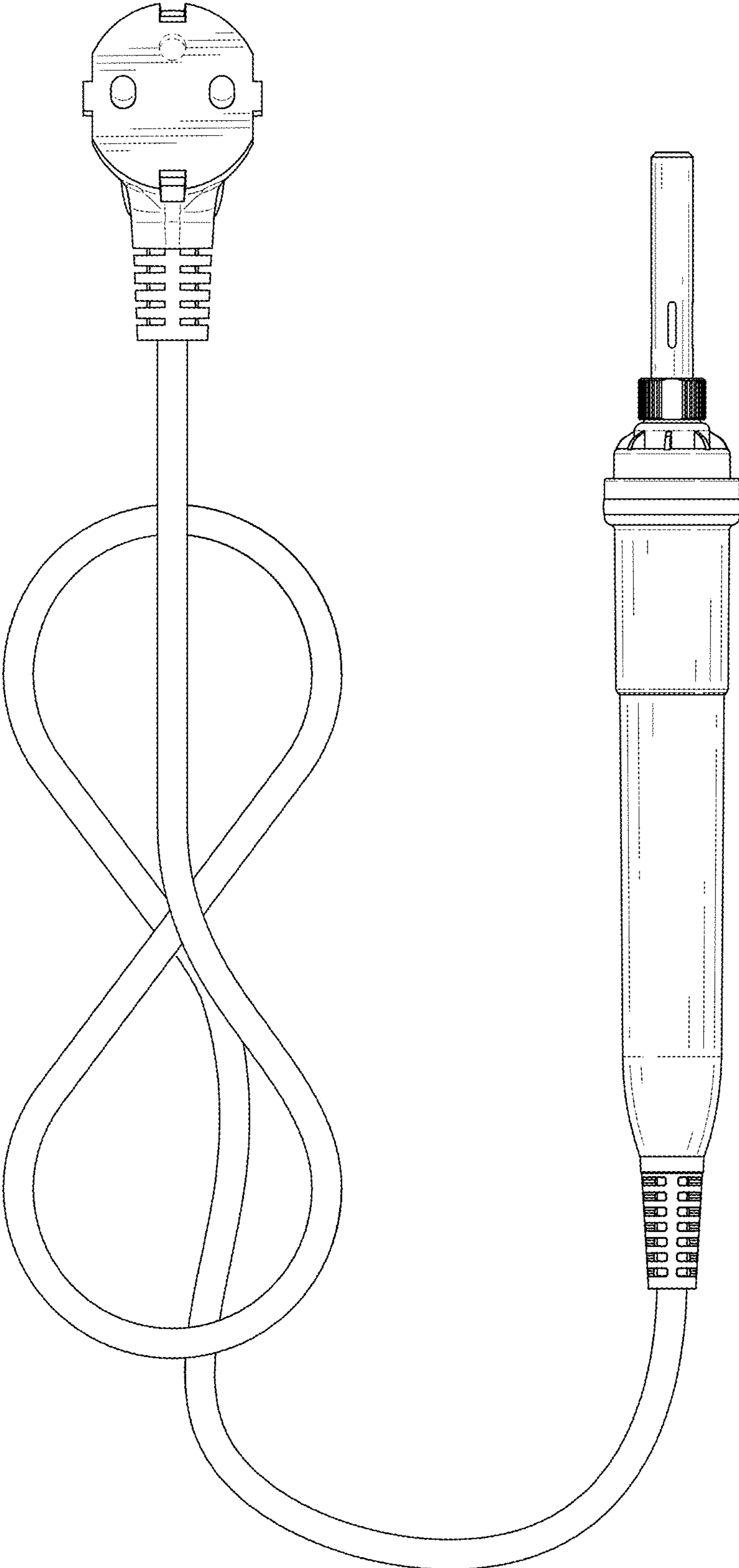


FIG. 4

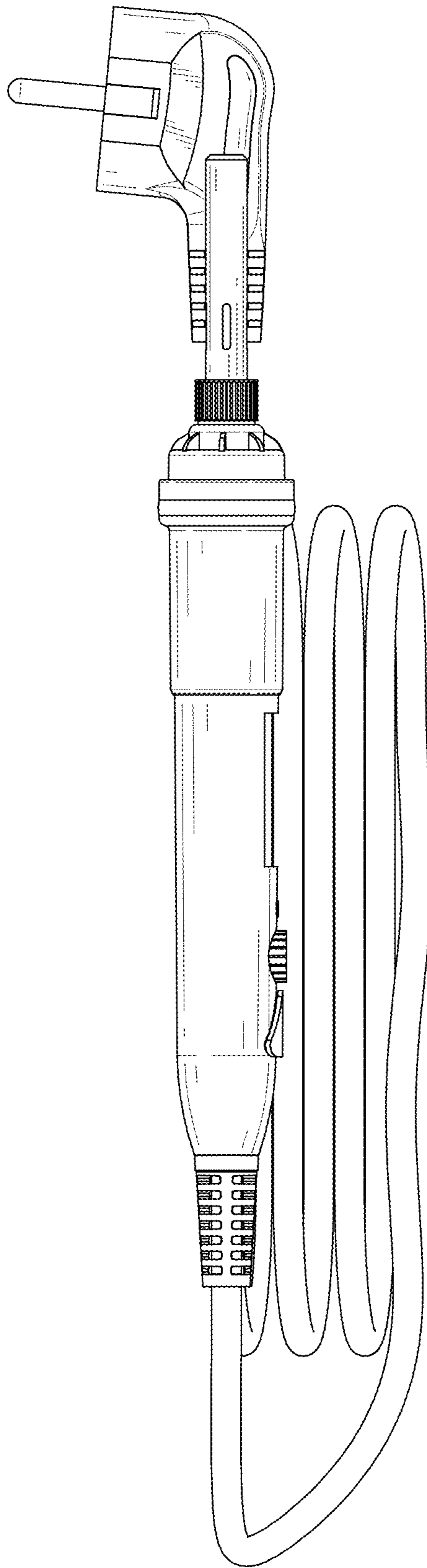


FIG. 5

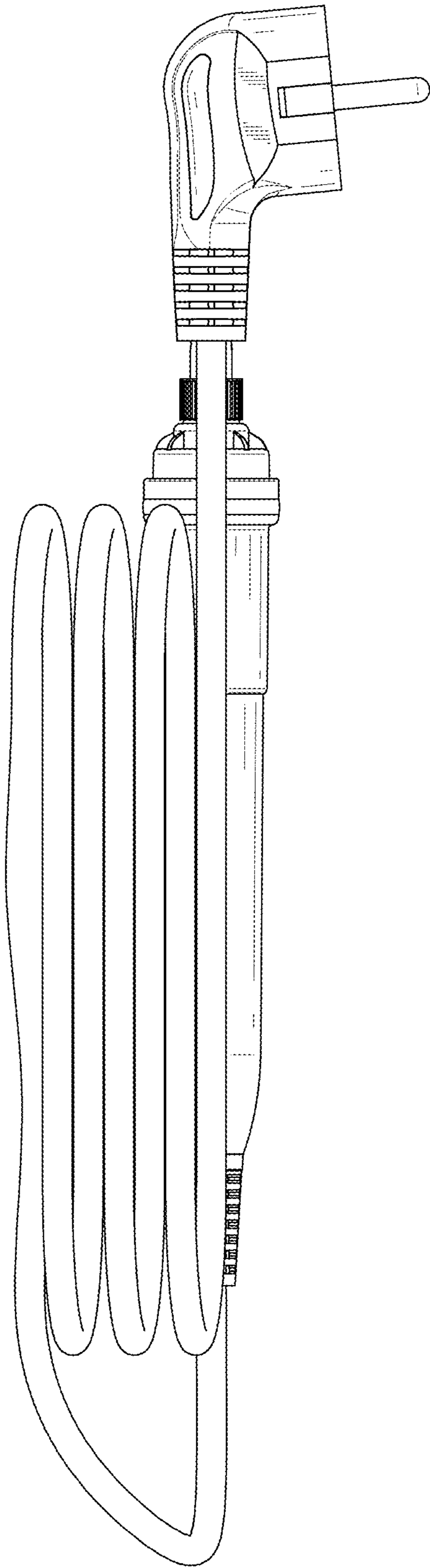


FIG. 6



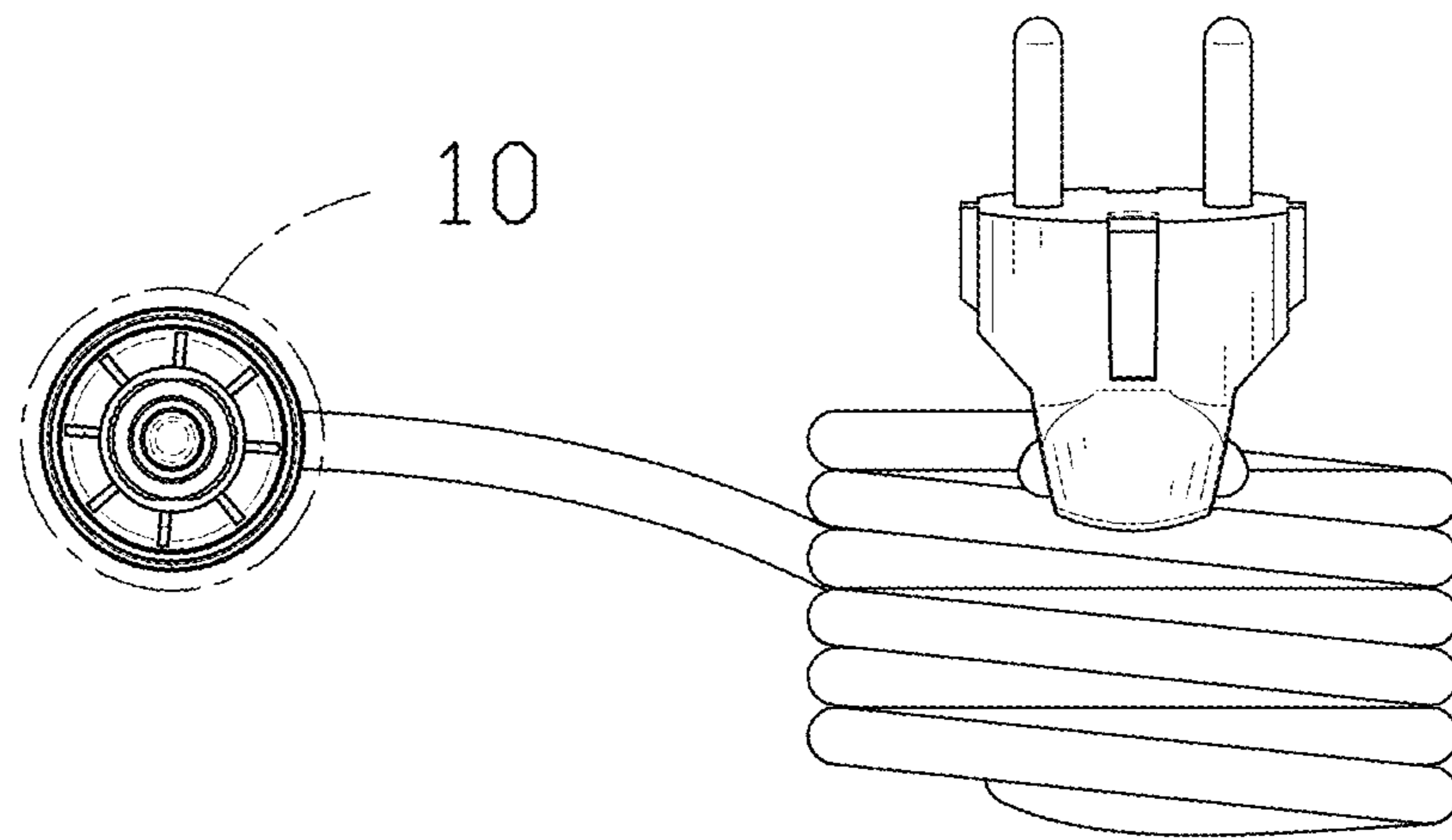


FIG. 7

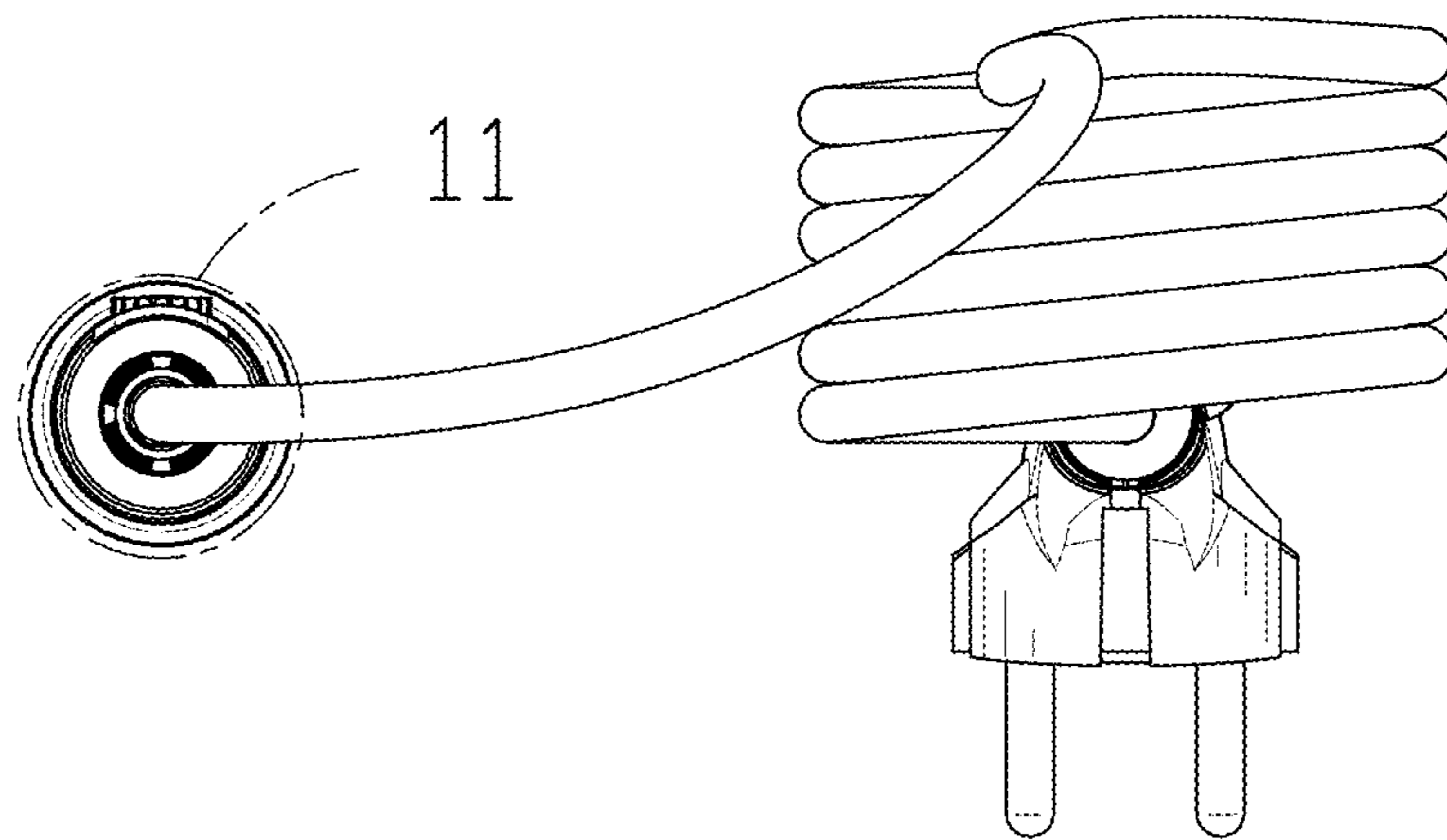


FIG. 8

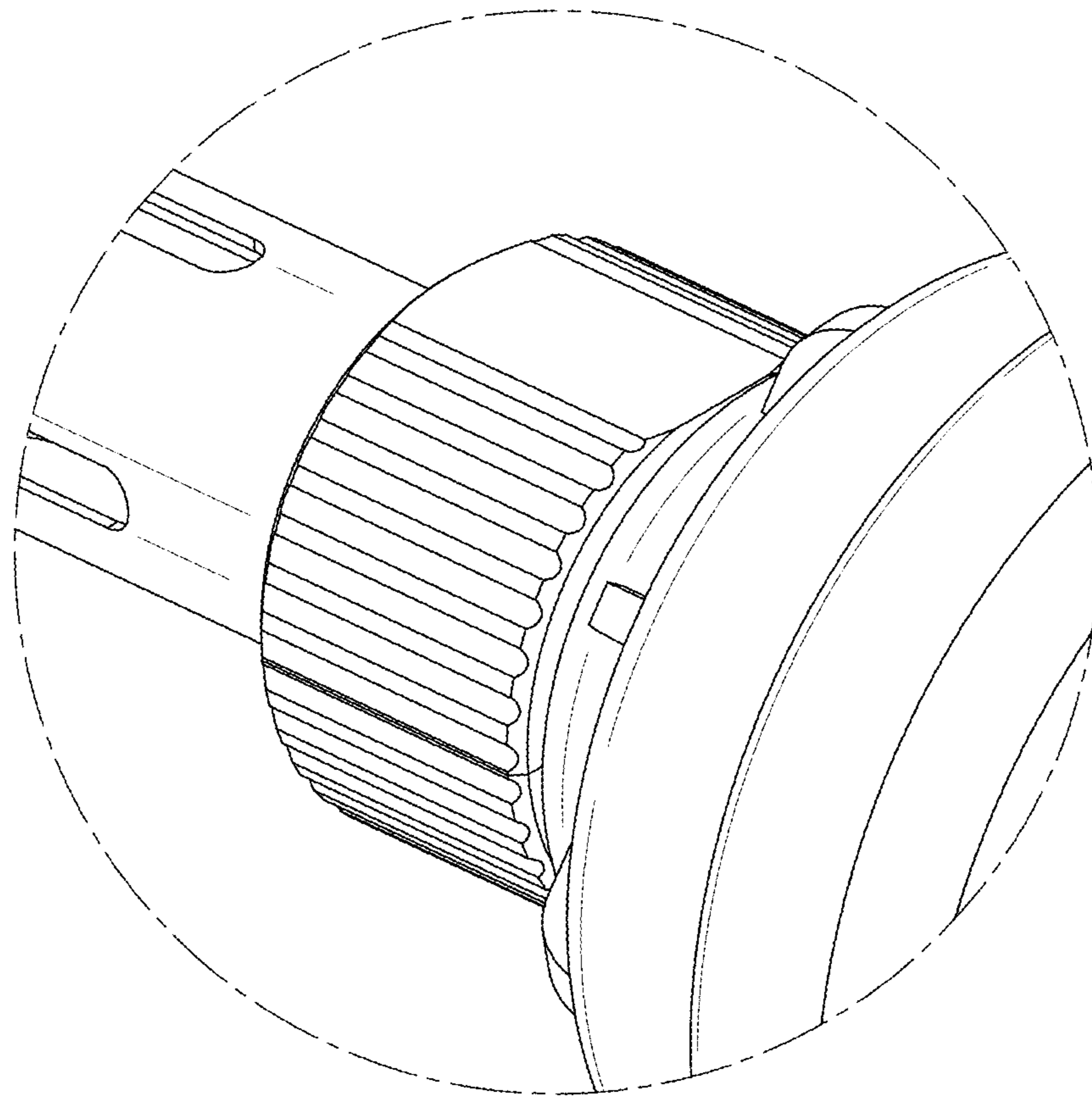


FIG. 9

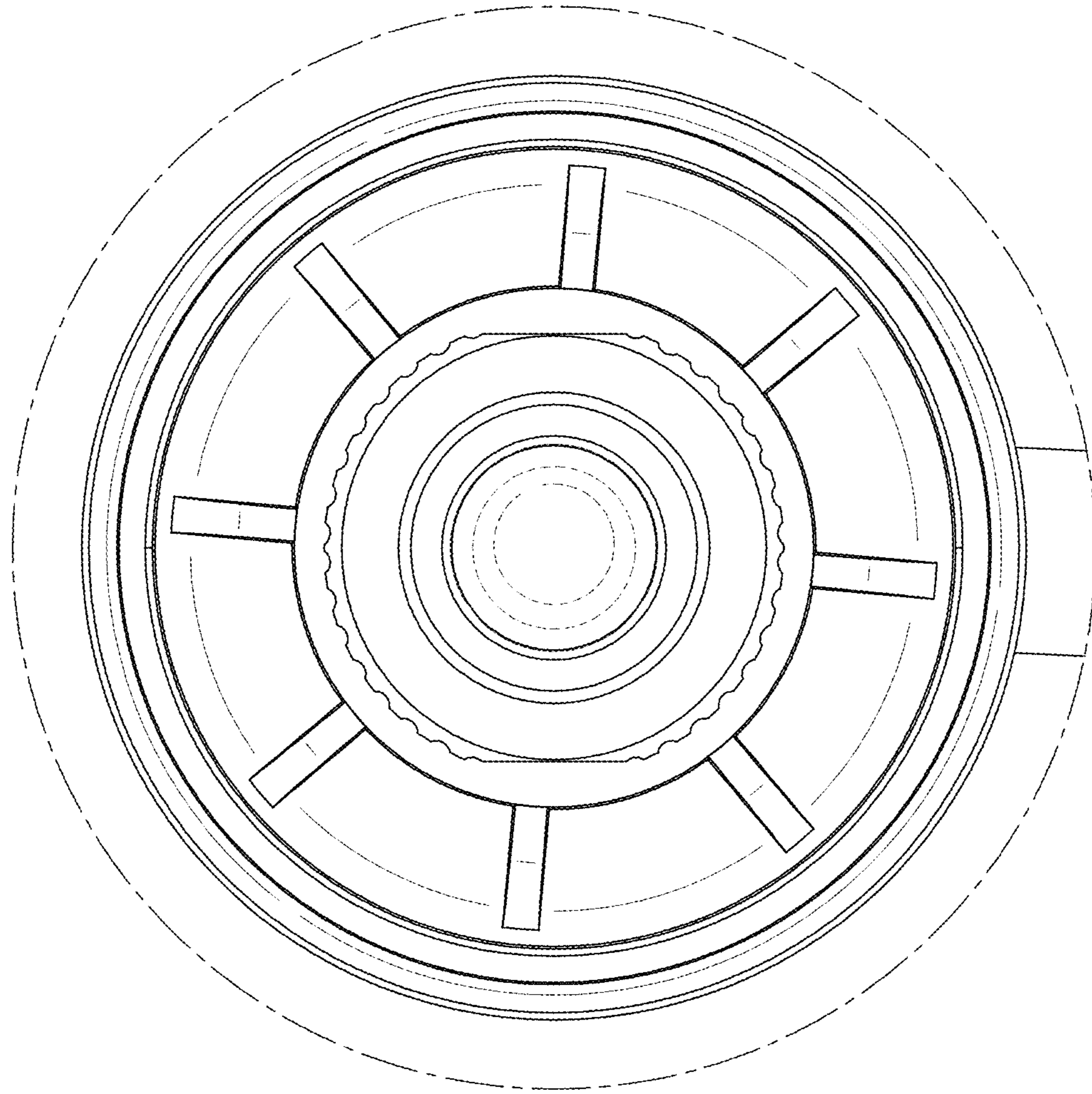


FIG. 10

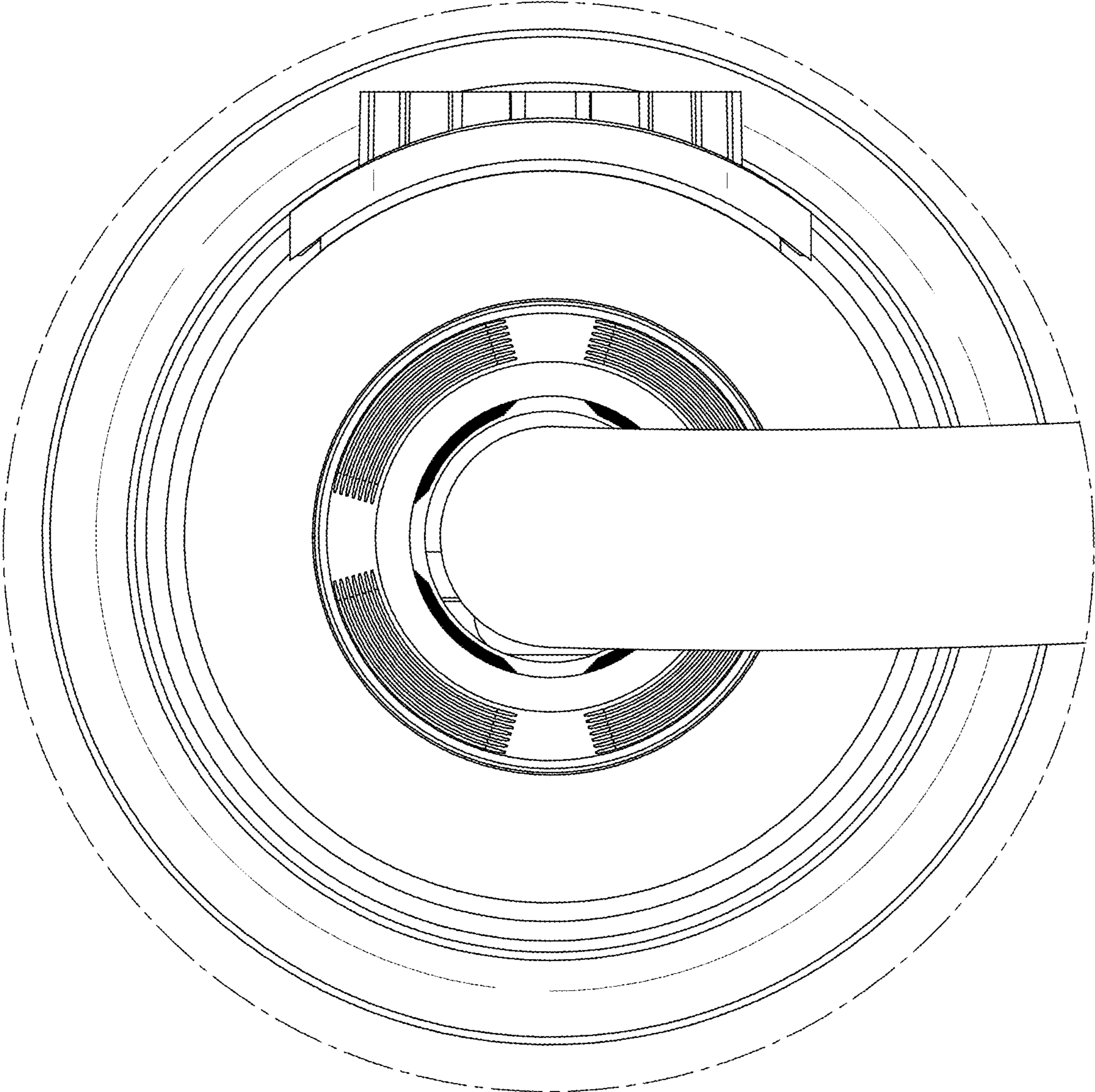


FIG. 11