

US00D879168S

(12) **United States Design Patent**
Zhao et al.

(10) **Patent No.:** **US D879,168 S**
(45) **Date of Patent:** **** Mar. 24, 2020**

(54) **MACHINING SAMPLE OF MACHINE TOOLS**

(71) Applicant: **FANUC CORPORATION**, Yamanashi (JP)

(72) Inventors: **Wei Zhao**, Yamanashi (JP); **Nobuaki Aizawa**, Yamanashi (JP)

(73) Assignee: **FANUC CORPORATION**, Yamanashi (JP)

(**) Term: **15 Years**

(21) Appl. No.: **29/663,378**

(22) Filed: **Sep. 14, 2018**

(30) **Foreign Application Priority Data**

Mar. 14, 2018 (JP) 2018-005359

(51) **LOC (12) Cl.** **15-09**

(52) **U.S. Cl.**
USPC **D15/139**

(58) **Field of Classification Search**
USPC D8/20, 70, 71, 90, 120; D15/122, 131, D15/132, 136, 138, 139, 140
CPC B23C 2200/0433; B23C 2200/164; B23C 2200/361; B23C 2210/0457; B23C 5/006; B24D 3/02; B24D 3/06; B24D 3/20; B24D 3/342
See application file for complete search history.

(56) **References Cited**

U.S. PATENT DOCUMENTS

D379,360 S * 5/1997 Satran D15/139
D404,743 S * 1/1999 Satran D15/139
D472,567 S * 4/2003 Katbi D15/139
D522,545 S * 6/2006 Niebauer D15/139

D584,752 S * 1/2009 Jonsson D15/139
D636,418 S * 4/2011 Chen D15/139
D637,214 S * 5/2011 Saito D15/139
D638,041 S * 5/2011 Saito D15/139
D640,717 S * 6/2011 Morrison D15/139
D688,716 S * 8/2013 Lampe D15/139
D760,308 S * 6/2016 Krishnegowda D15/139
D772,318 S * 11/2016 Nam D15/139
D794,101 S * 8/2017 Ryu D15/139
D794,103 S * 8/2017 Jeong D15/139
D805,566 S * 12/2017 Oh D15/139
D806,150 S * 12/2017 Komiyama D15/139
D807,935 S * 1/2018 Dudzinsky B23C 5/2221
D15/139
D815,164 S * 4/2018 Schleicher D15/139
D816,133 S * 4/2018 Mura D15/139
D816,134 S * 4/2018 Mura D15/139
D816,744 S * 5/2018 Lee D15/139
D826,664 S * 8/2018 Matsubara D8/20
D853,456 S * 7/2019 Aizawa D15/138

* cited by examiner

Primary Examiner — Michael C Stout

Assistant Examiner — Fitzgerald L Butac

(74) *Attorney, Agent, or Firm* — Banner & Witcoff, Ltd.

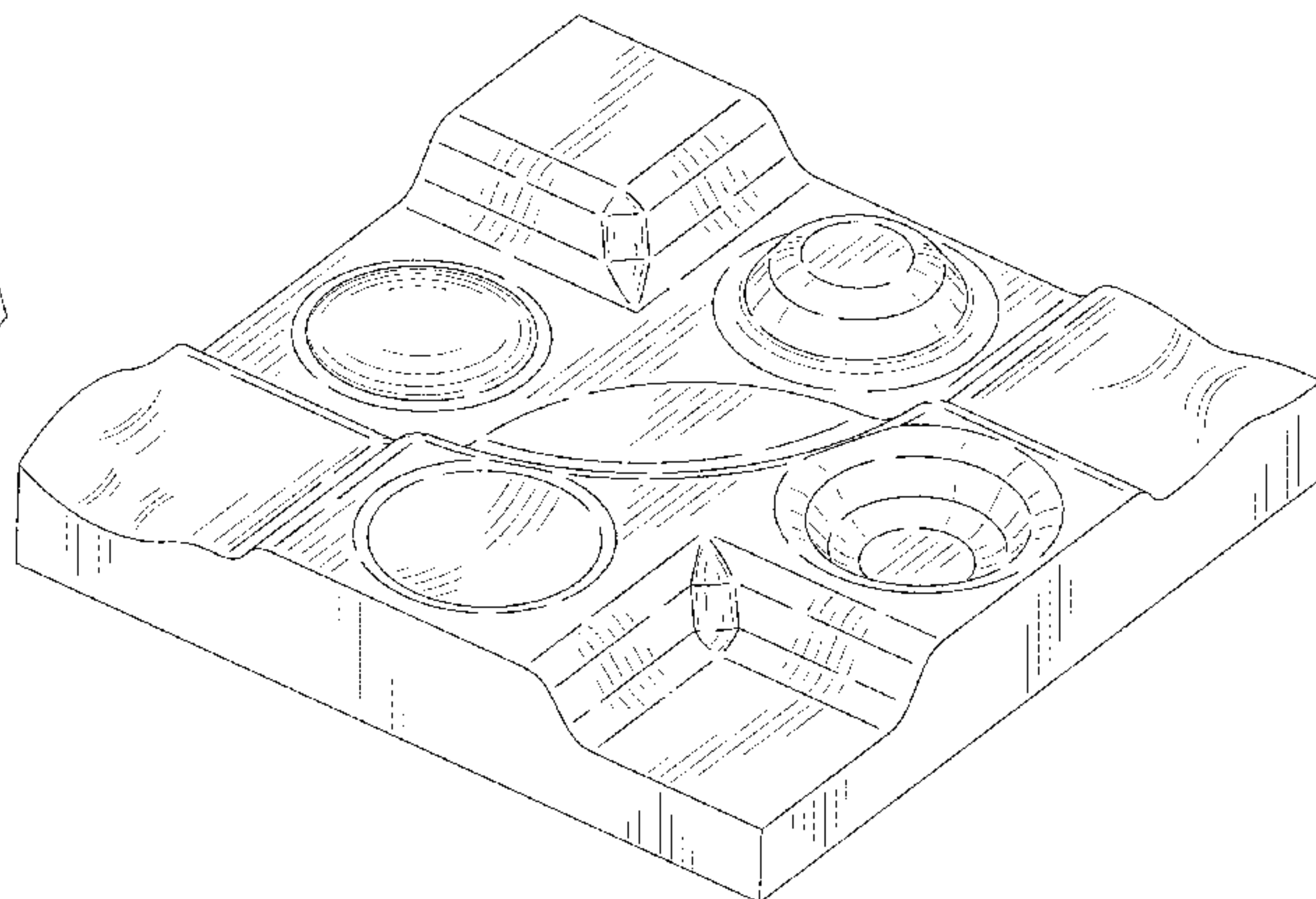
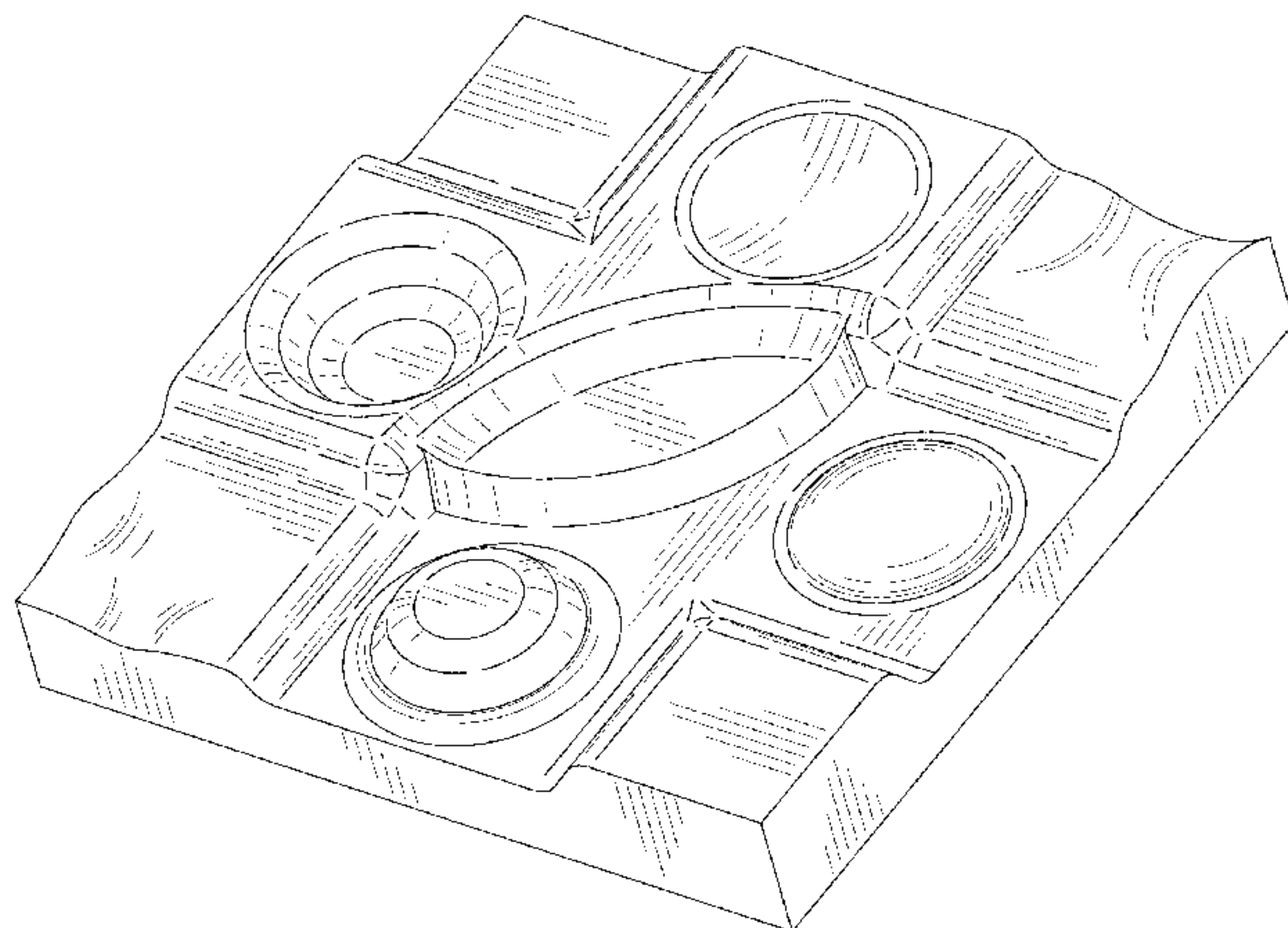
(57) **CLAIM**

The ornamental design for a machining sample of machine tools, as shown and described.

DESCRIPTION

FIG. 1 is a front perspective view of a machining sample of machine tools showing our new design; FIG. 2 is a rear perspective view thereof; FIG. 3 is a front view thereof; FIG. 4 is a rear view thereof; FIG. 5 is a right side view thereof; FIG. 6 is a left side view thereof; FIG. 7 is a top plan view thereof; and, FIG. 8 is a bottom view thereof.

1 Claim, 5 Drawing Sheets



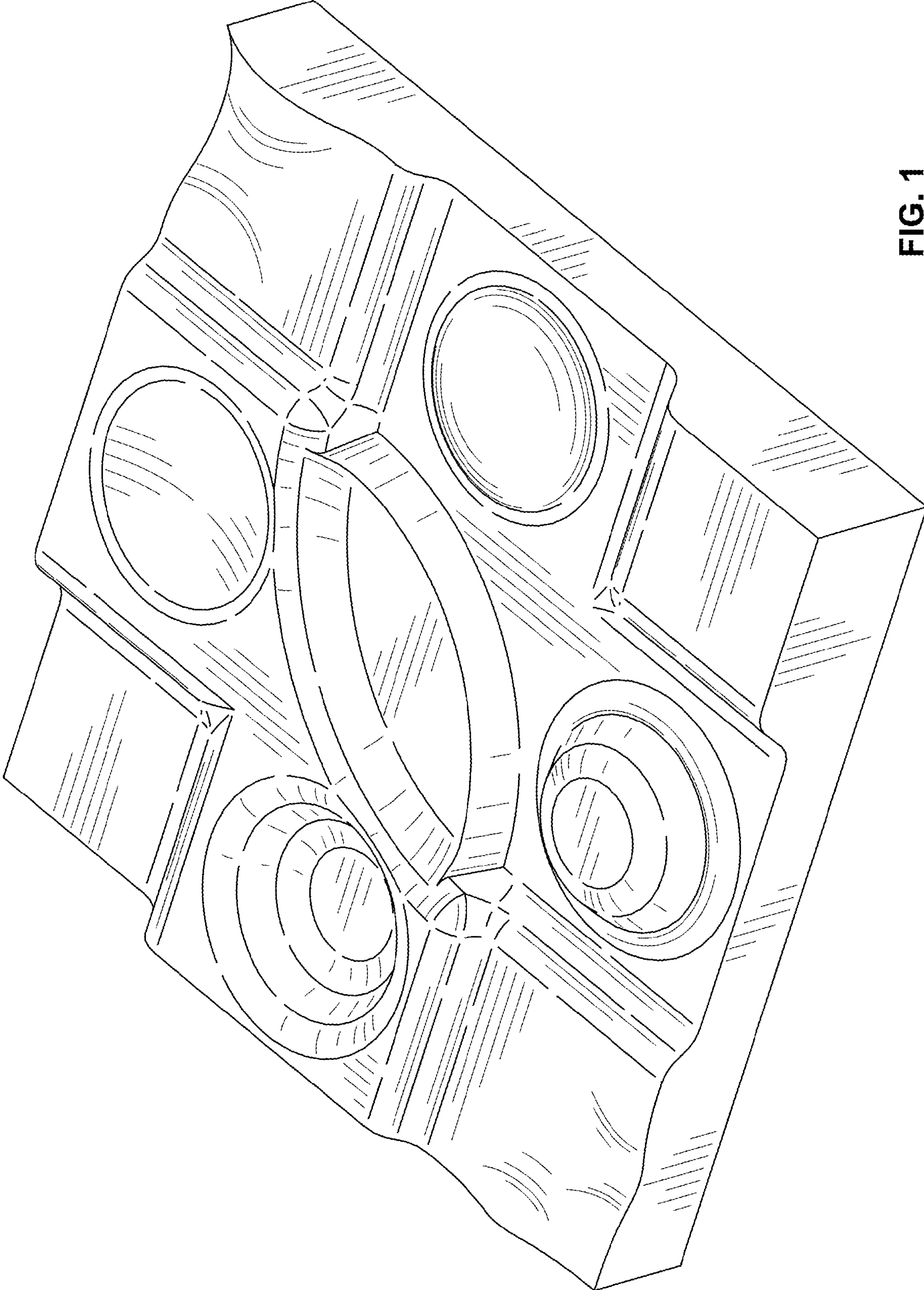


FIG. 1

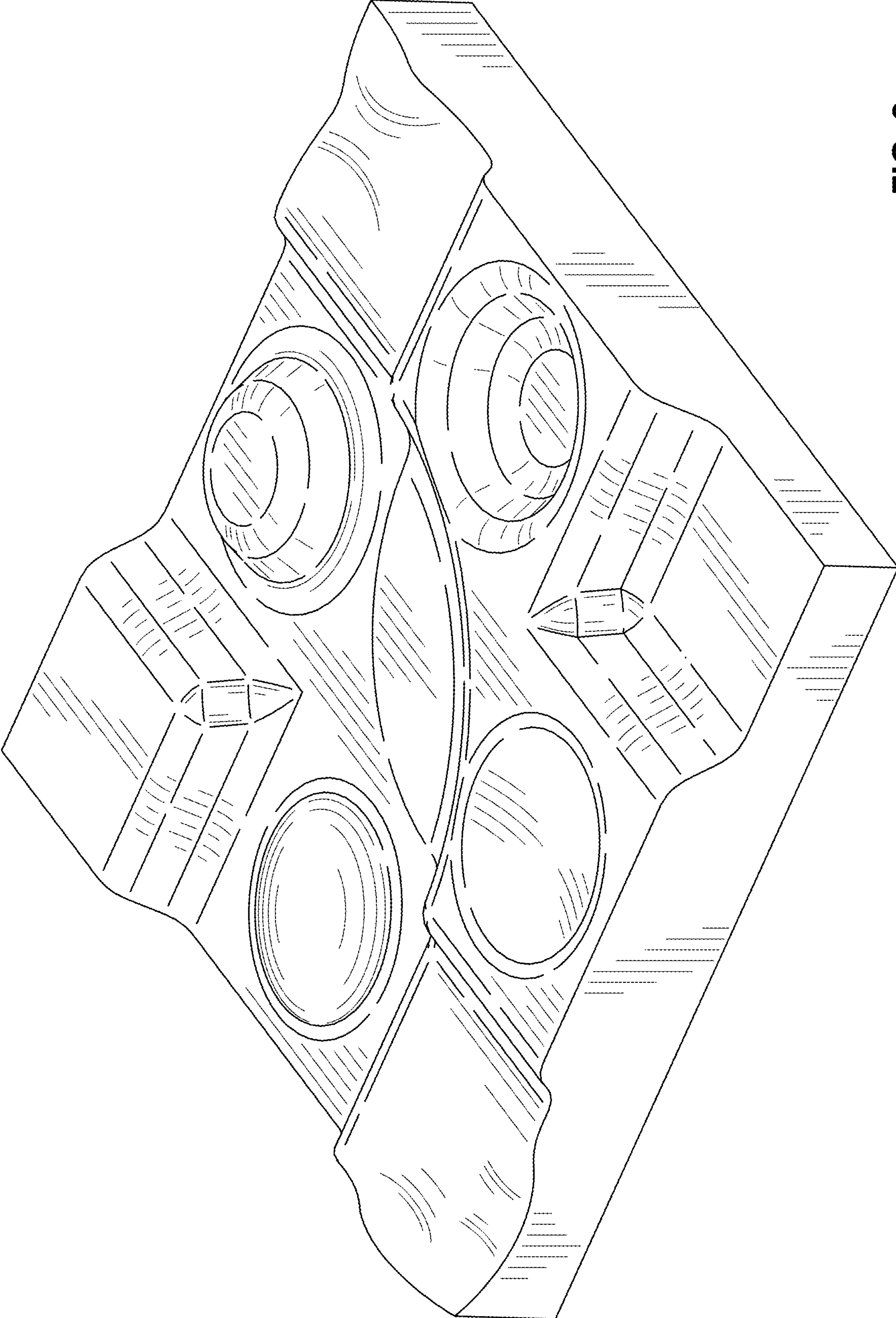


FIG. 2

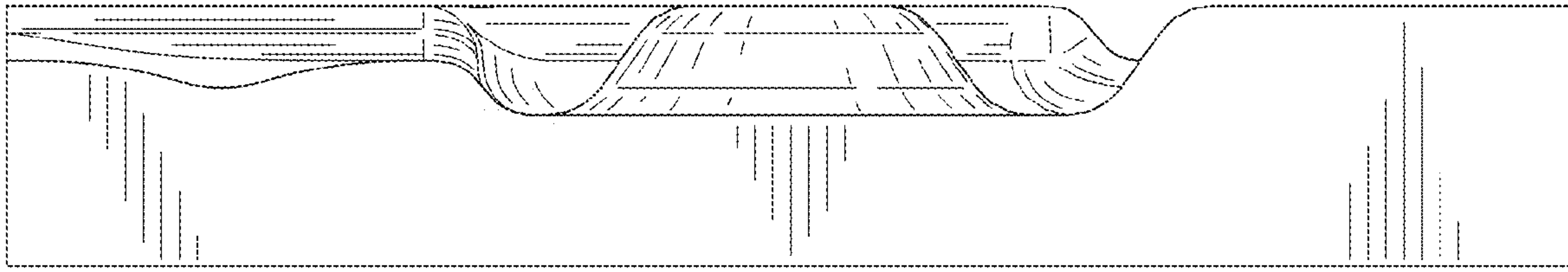


FIG. 3



FIG. 4

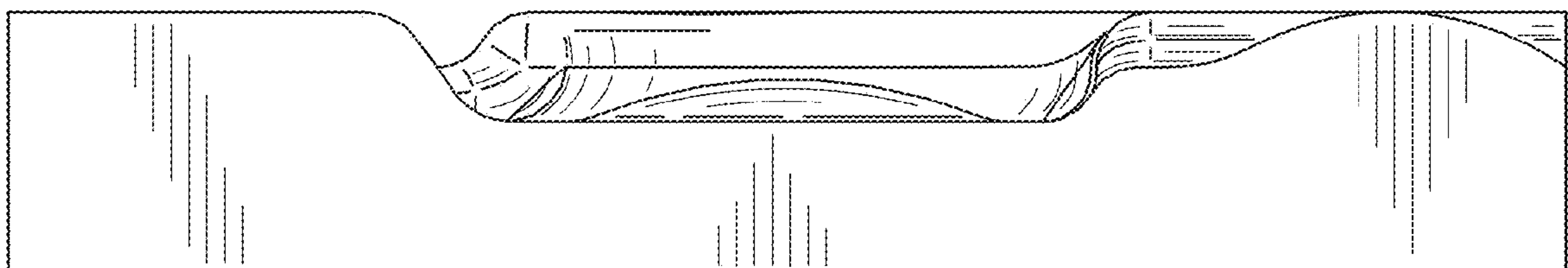


FIG. 5

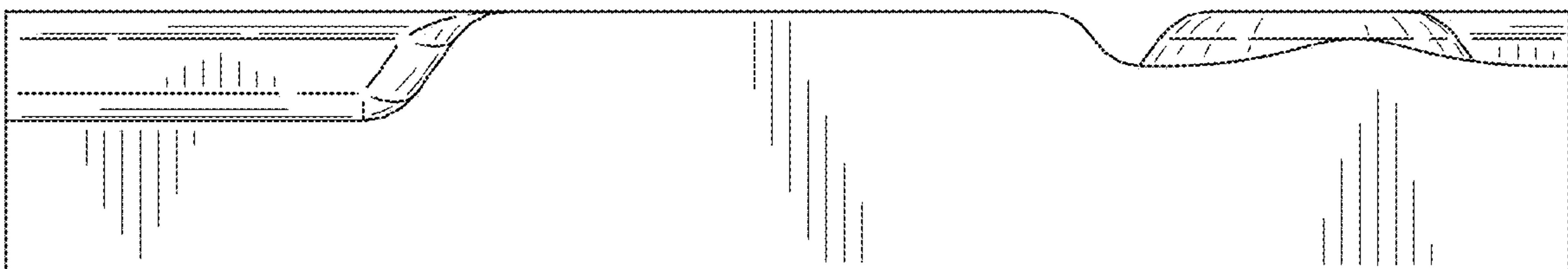


FIG. 6

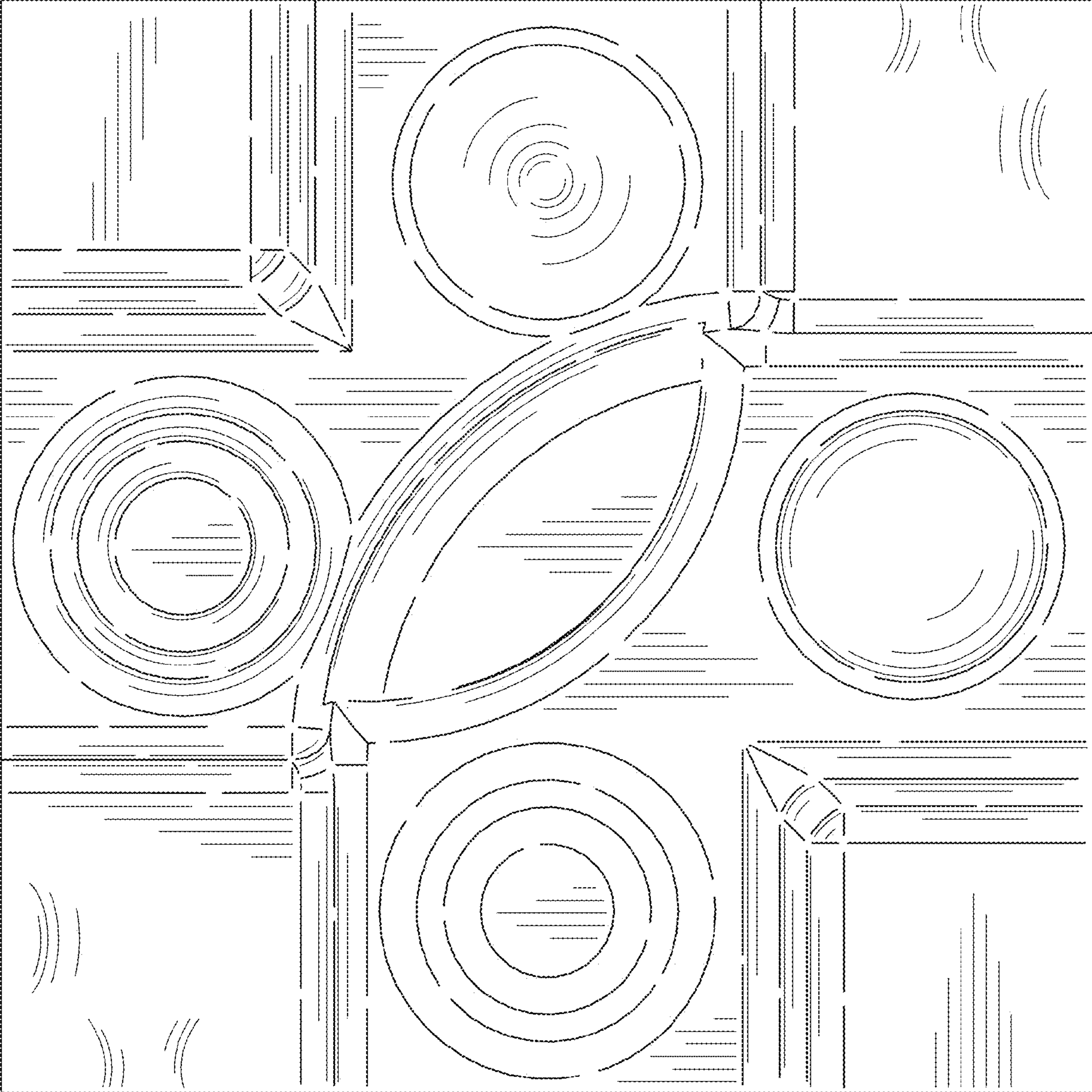


FIG. 7



FIG. 8