



US00D879162S

(12) **United States Design Patent**
Murphy

(10) **Patent No.:** **US D879,162 S**
(45) **Date of Patent:** **** Mar. 24, 2020**

(54) **CLEAR ICE MAKER**
(71) Applicant: **Thomas B. Murphy**, Arlington, TX
(US)
(72) Inventor: **Thomas B. Murphy**, Arlington, TX
(US)
(**) Term: **15 Years**

D795,312 S * 8/2017 Shoemaker D15/89
9,784,492 B2 10/2017 Little et al.
D831,708 S * 10/2018 Kim D15/89
D839,317 S * 1/2019 de Cavalcanti D15/89
D846,604 S * 4/2019 Lopez D15/90
D849,064 S * 5/2019 Hauser D15/89
D849,805 S * 5/2019 Hauser D15/89
D855,087 S * 7/2019 Lopez D15/89
D864,261 S * 10/2019 Hu D15/89

(21) Appl. No.: **29/674,235**
(22) Filed: **Dec. 20, 2018**
(51) **LOC (12) Cl.** **15-07**
(52) **U.S. Cl.**
USPC **D15/89**
(58) **Field of Classification Search**
USPC D15/79-91
CPC F25C 2400/10; F25C 5/005; F25C 1/10;
F25C 2305/022; F25C 1/00; F25C 1/18;
F25C 1/20; F25C 1/225; F25C 1/246;
F25C 2600/04; F25C 2700/14; F25C
5/06; F25C 5/182; F25C 1/08; F25C
1/24; F25C 2400/14; F25C 2500/02
See application file for complete search history.

(56) **References Cited**
U.S. PATENT DOCUMENTS

5,364,063 A 11/1994 Nishimura et al.
D733,195 S * 6/2015 Lum D15/90
9,272,444 B2 3/2016 Zorovich et al.
D759,131 S * 6/2016 Ogg D15/89
D761,885 S * 7/2016 McConnell D15/89
D761,886 S * 7/2016 Seo D15/89

OTHER PUBLICATIONS

Currie, Donna, "Gadgets: Polar Ice Tray," Serious Eats web site,
Dec. 31, 2012.
Wintersmiths, "Ice Baller Double instructions," Dec. 31, 2016.

* cited by examiner

Primary Examiner — Khawaja Anwar
(74) *Attorney, Agent, or Firm* — Daniel V. Thompson

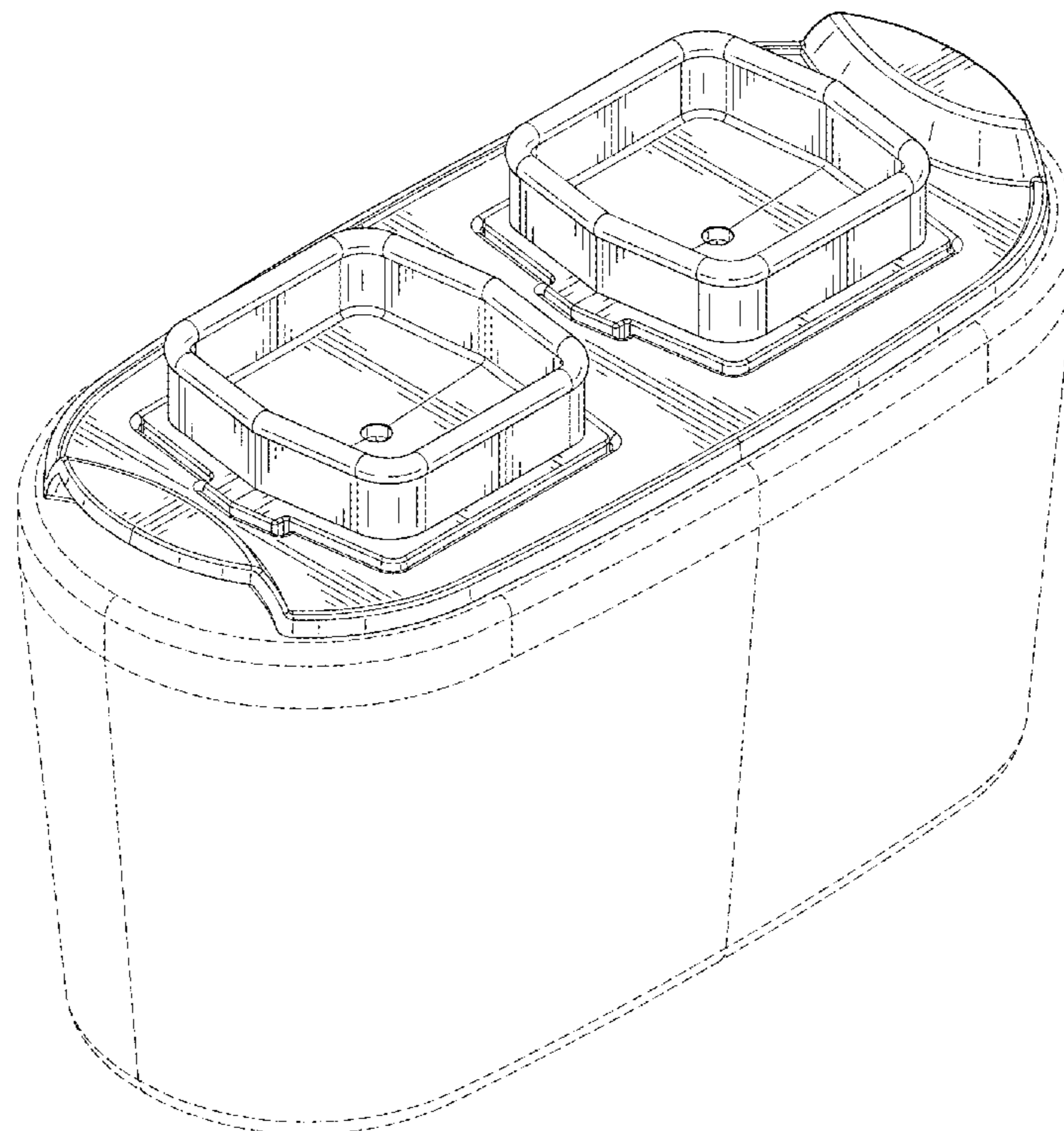
(57) **CLAIM**

The ornamental design for a clear ice maker, as shown and
described.

DESCRIPTION

FIG. 1 is a top-facing perspective view of the clear ice maker
showing my new design;
FIG. 2 is a front elevational view thereof, the rear elevational
view being identical thereto;
FIG. 3 is a right-side elevational view thereof, the left-side
elevational view being identical thereto; and,
FIG. 4 is a top plan view thereof.
The bottom portion of the clear ice maker is shown in broken
lines for illustrative purposes only and forms no part of the
claimed design.

1 Claim, 4 Drawing Sheets



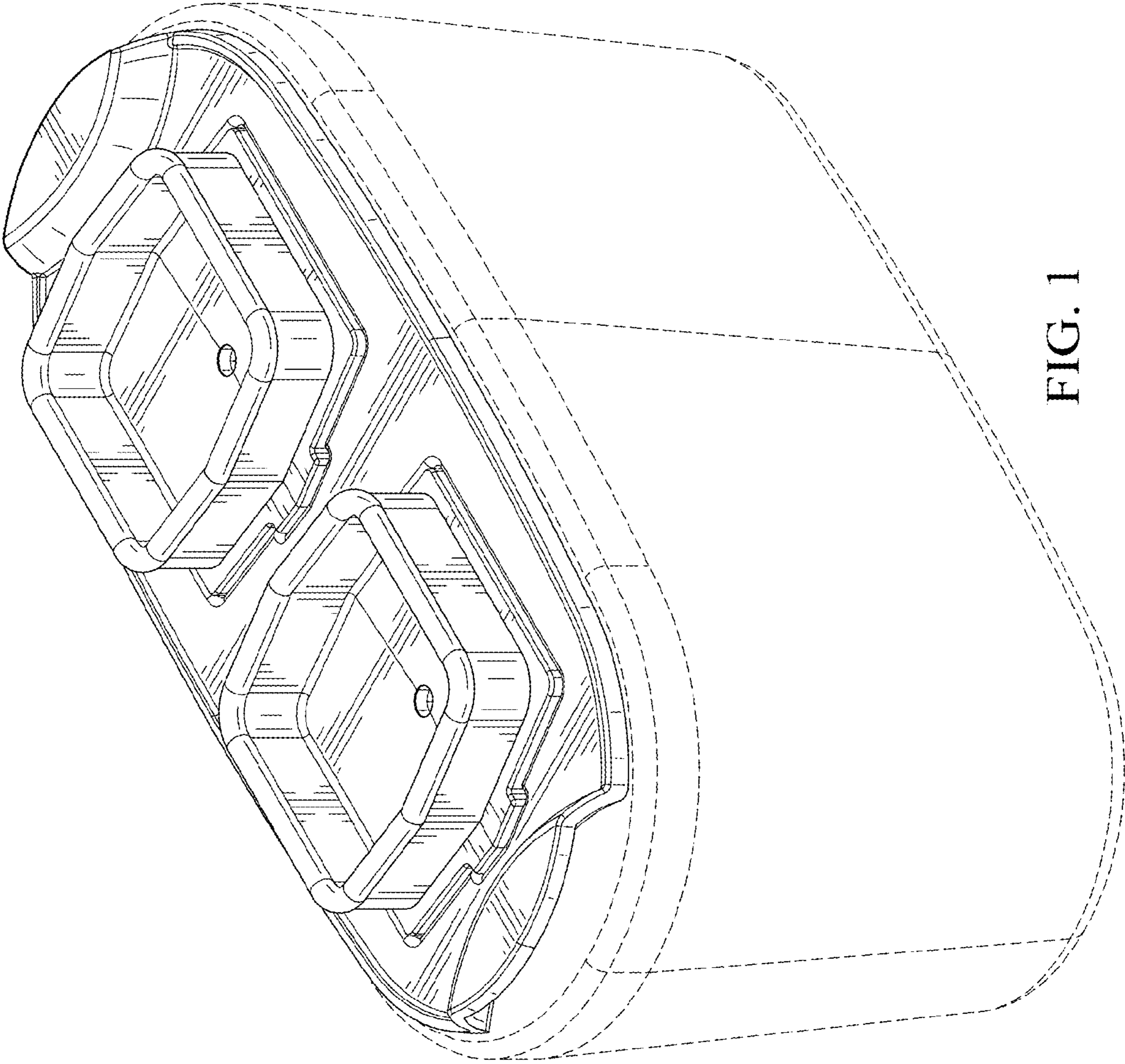


FIG. 1

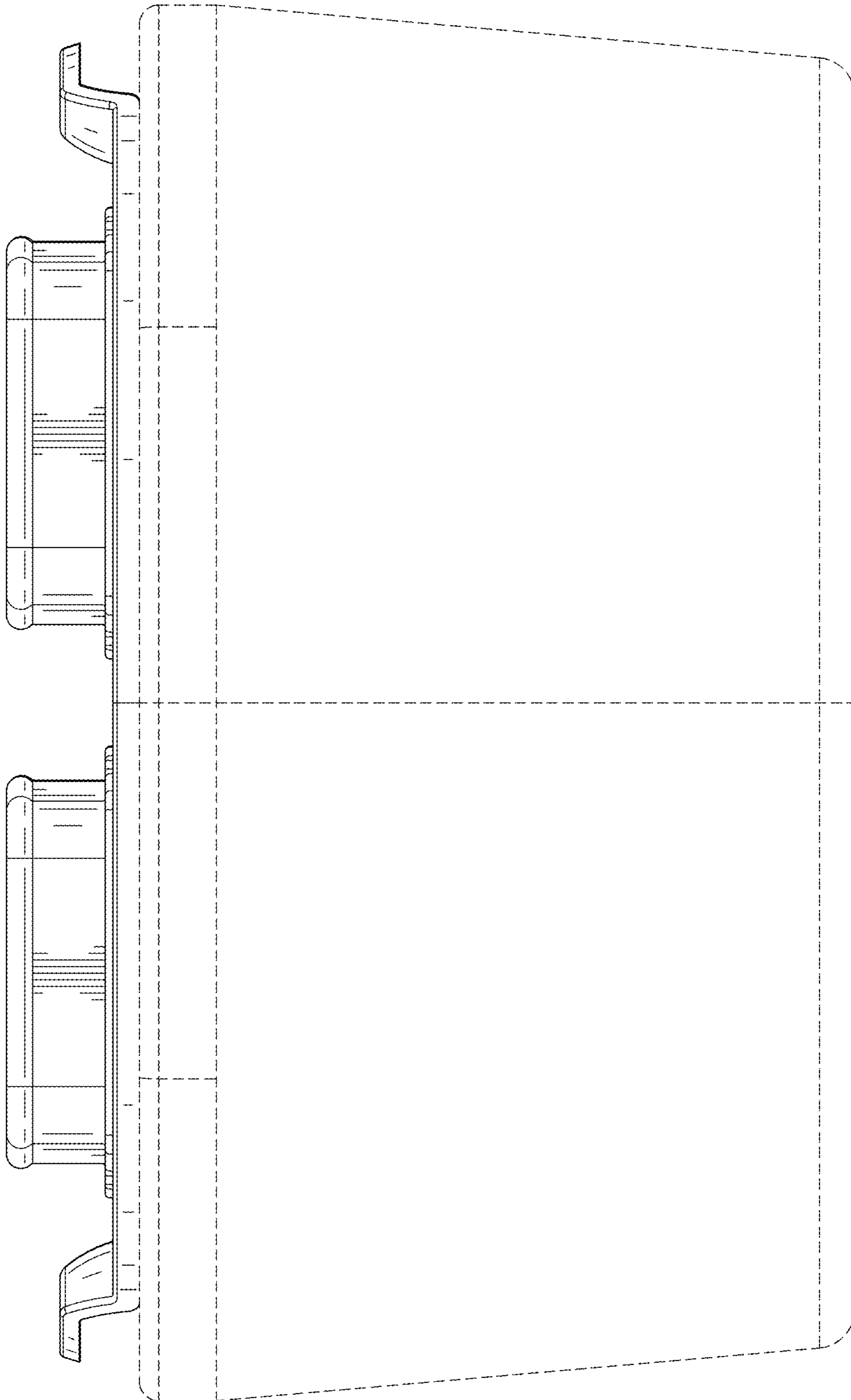


FIG. 2

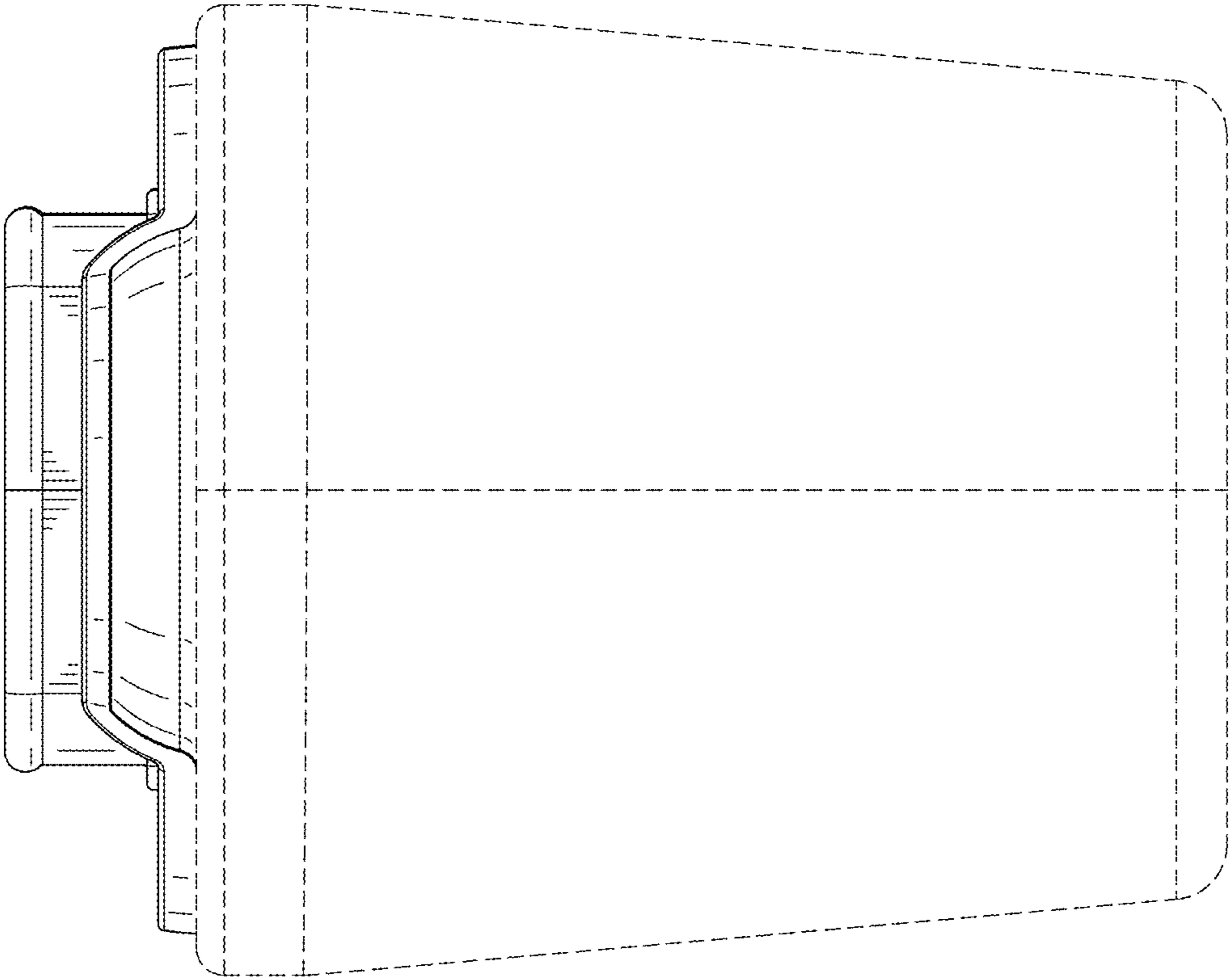


FIG. 3

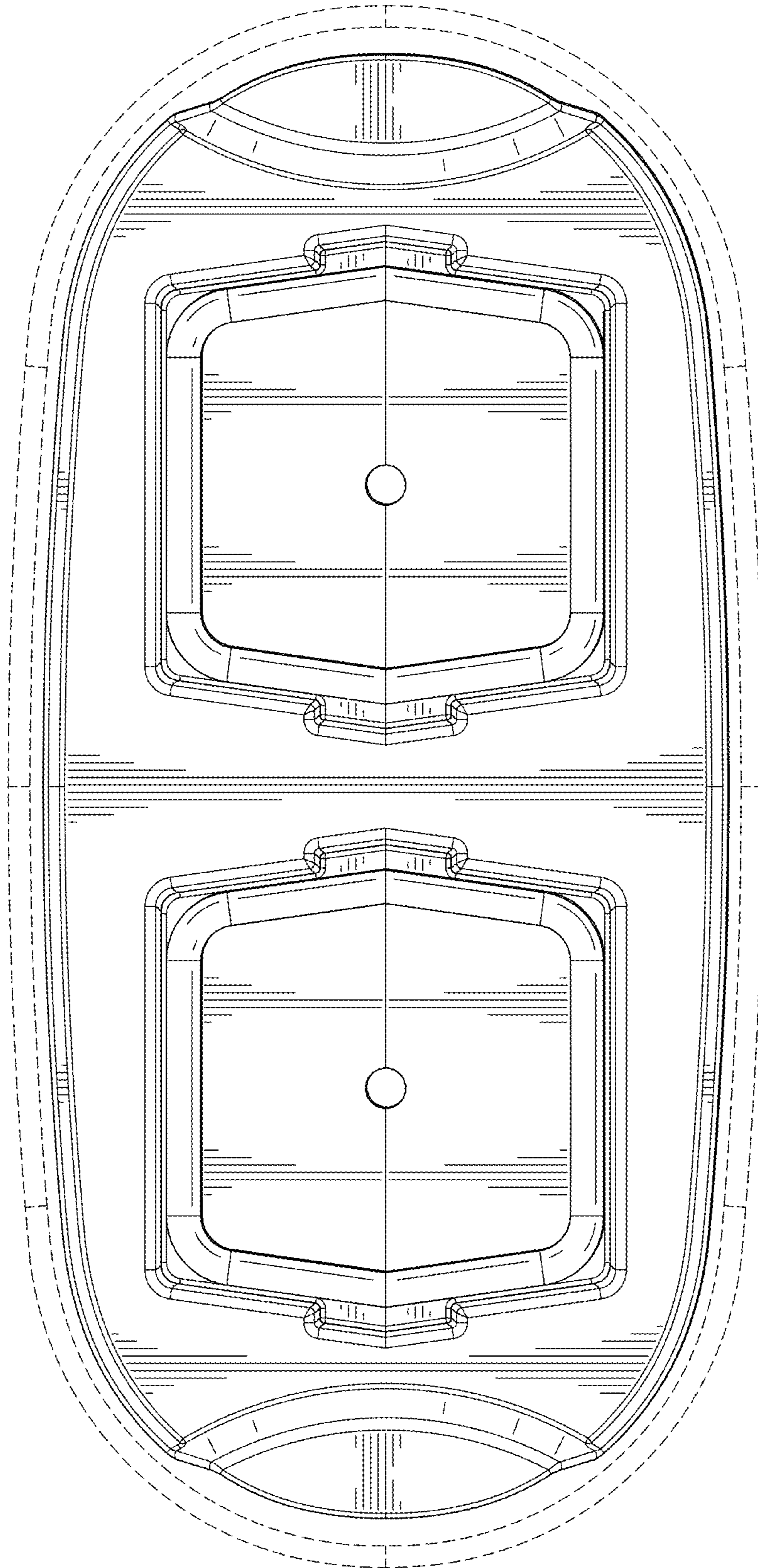


FIG. 4