



US00D879160S

(12) **United States Design Patent**  
**Takemoto**

(10) **Patent No.:** **US D879,160 S**  
(45) **Date of Patent:** **\*\* Mar. 24, 2020**

(54) **FOOT CONTROLLER FOR SEWING MACHINES**

D260,524 S *	9/1981	Satoh	.....	D13/167
4,299,182 A *	11/1981	Tanaka	.....	D05B 69/18
				112/277
D264,848 S *	6/1982	Hanyu	.....	D13/167
D271,106 S *	10/1983	Hanyu	.....	D15/72
D332,103 S *	12/1992	Off	.....	D15/72
5,540,160 A *	7/1996	Rea	.....	A47B 83/02
				108/147
D476,630 S *	7/2003	Moll	.....	D13/167
D478,874 S *	8/2003	Moll	.....	D13/167
D695,794 S *	12/2013	Asano	.....	D15/72

(71) Applicant: **JUKI CORPORATION**, Tokyo (JP)

(72) Inventor: **Yuuko Takemoto**, Tama (JP)

(\*\*) Term: **15 Years**

(21) Appl. No.: **35/505,537**

(22) Filed: **Feb. 19, 2018**

\* cited by examiner

(80) **Hague Agreement Data**

*Primary Examiner* — Richard E Chilcot

Int. Filing Date: **Feb. 19, 2018**

Int. Reg. No.: **DM/099970**

Int. Reg. Date: **Feb. 19, 2018**

Int. Reg. Pub. Date: **Aug. 24, 2018**

(30) **Foreign Application Priority Data**

Sep. 22, 2017 (JP) ..... 2017-020725

(51) **LOC (12) Cl.** ..... **15-06**

(52) **U.S. Cl.**

USPC ..... **D15/78**

CPC ..... **E05B 1/00 (2013.01)**

(58) **Field of Classification Search**

USPC ..... D15/66-78; D13/167; 112/217.2, 217.4,  
112/270, 277, 275; 84/426, 229

CPC ..... E05B 1/00-1/26

See application file for complete search history.

(56) **References Cited**

**U.S. PATENT DOCUMENTS**

D246,649 S \* 12/1977 Braaten ..... D13/167

D249,505 S \* 9/1978 Di Bonaventura ..... D13/167

(57) **CLAIM**

The ornamental design for a foot controller for sewing machines, as shown and described.

**DESCRIPTION**

1. Foot controller for sewing machines

1.1 : Perspective

1.2 : Front

1.3 : Back

1.4 : Left

1.5 : Right

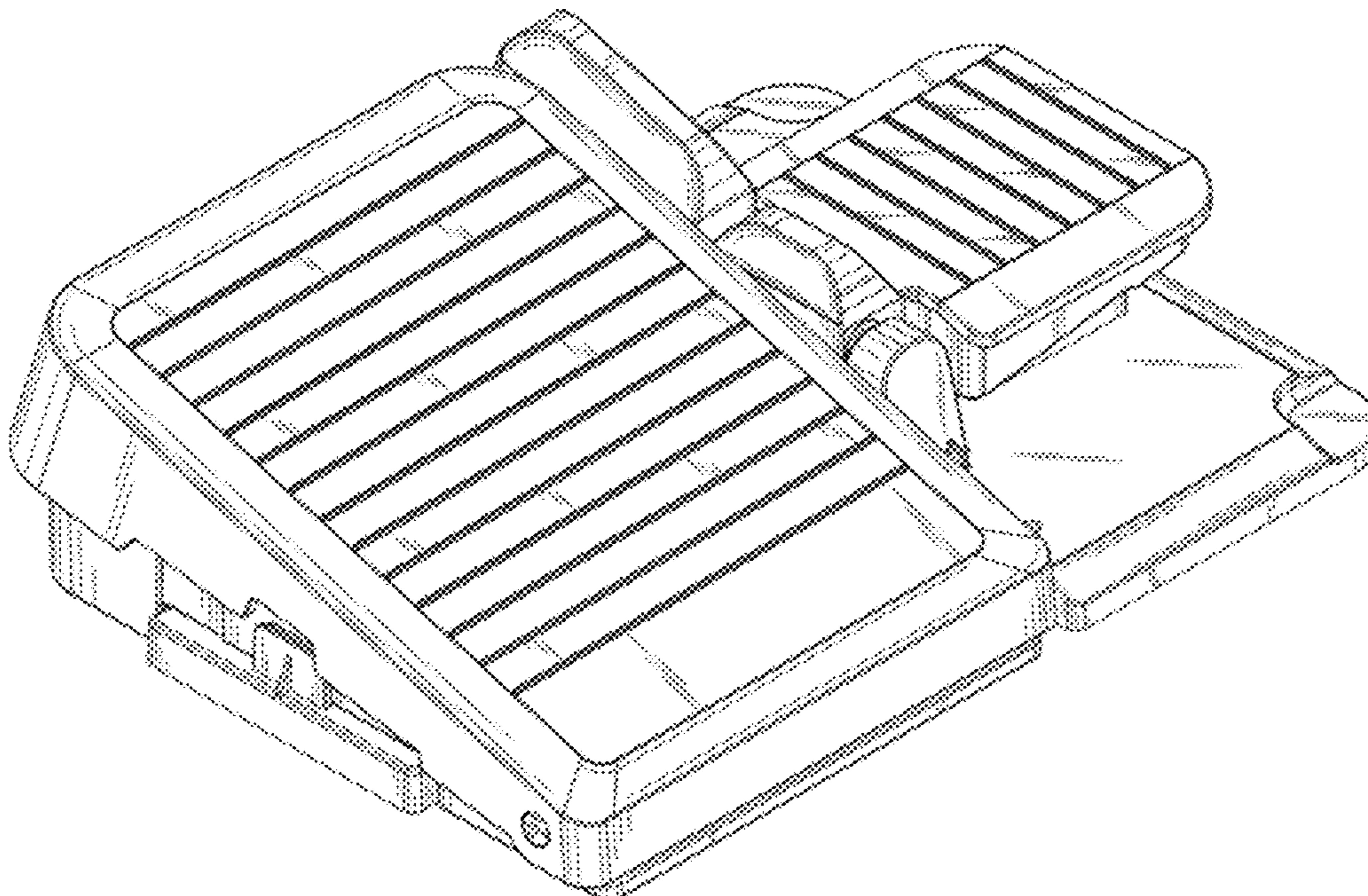
1.6 : Top

1.7 : Bottom

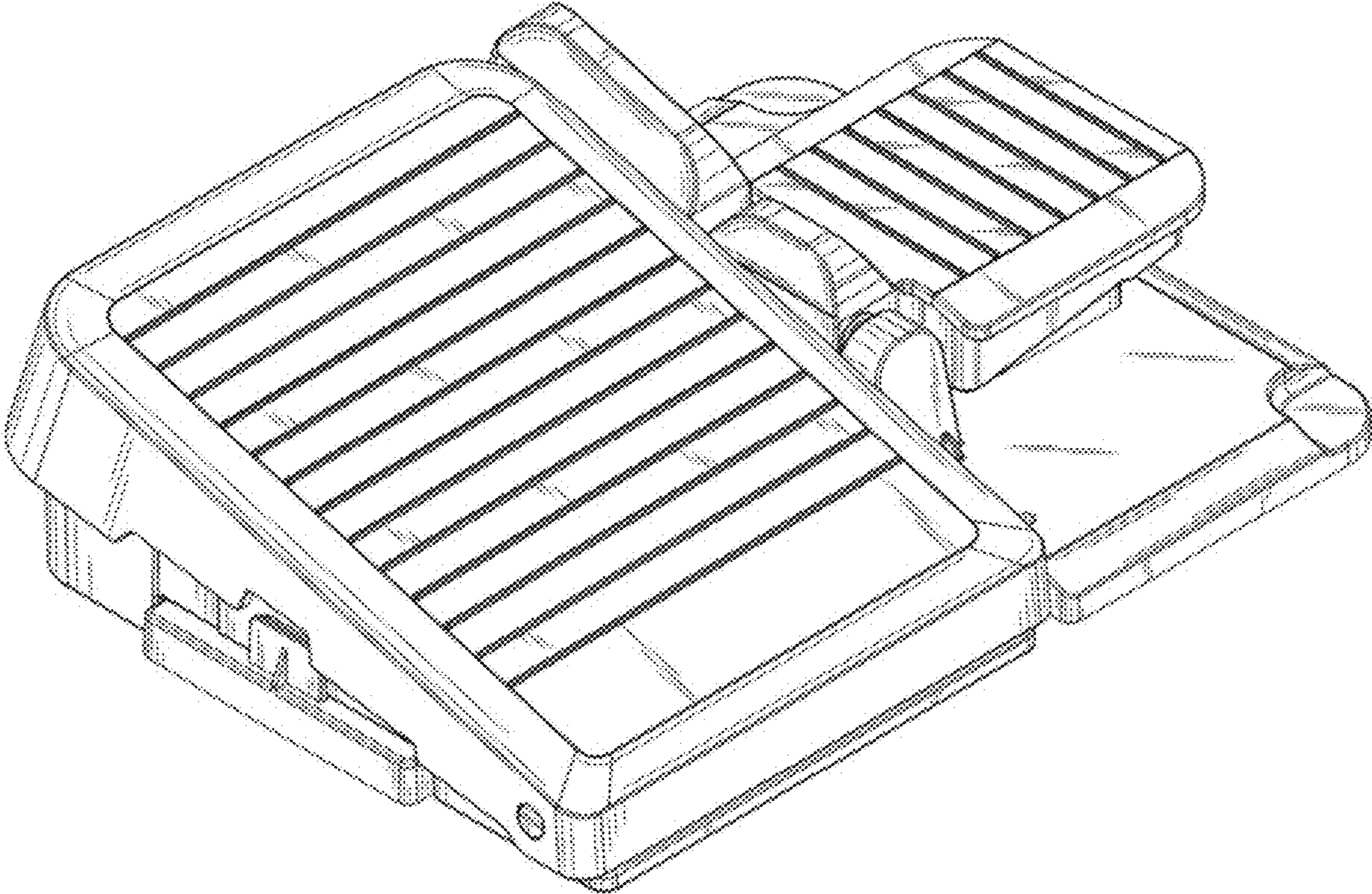
1.8 : Perspective

1.9 : Perspective showing an alternative arrangement of parts of the foot controller for sewing machines

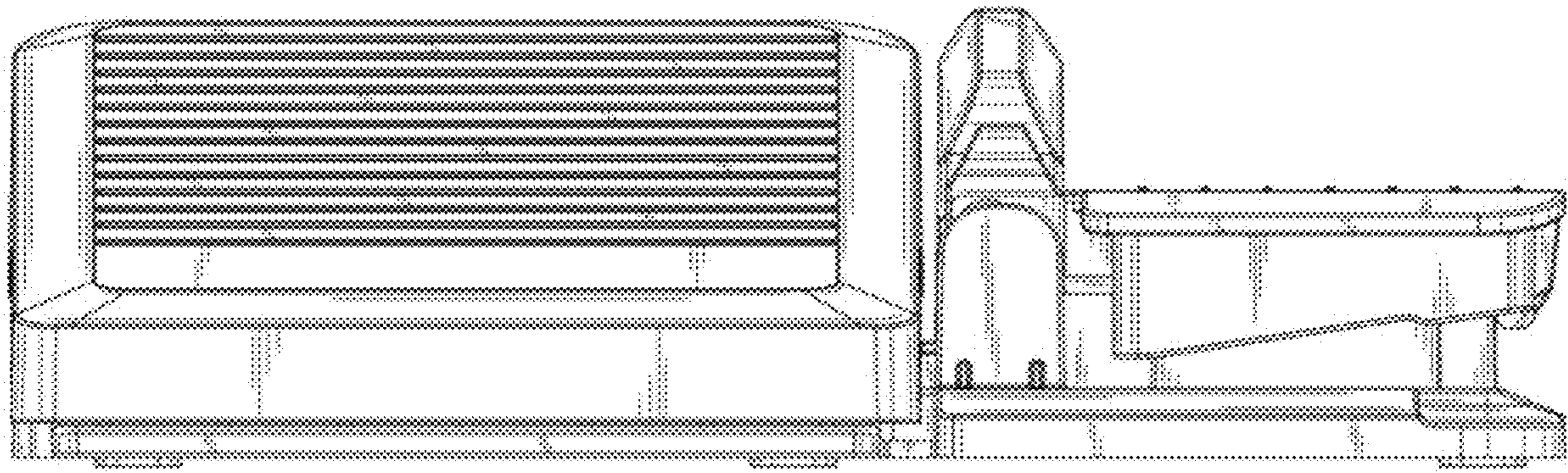
**1 Claim, 9 Drawing Sheets**



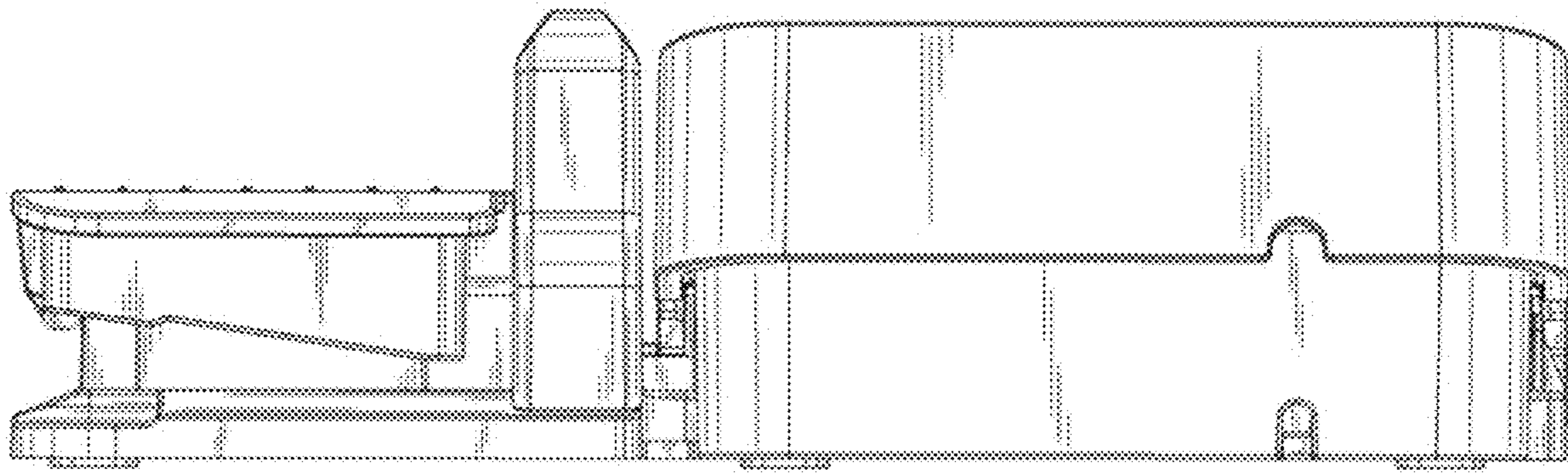
1.1



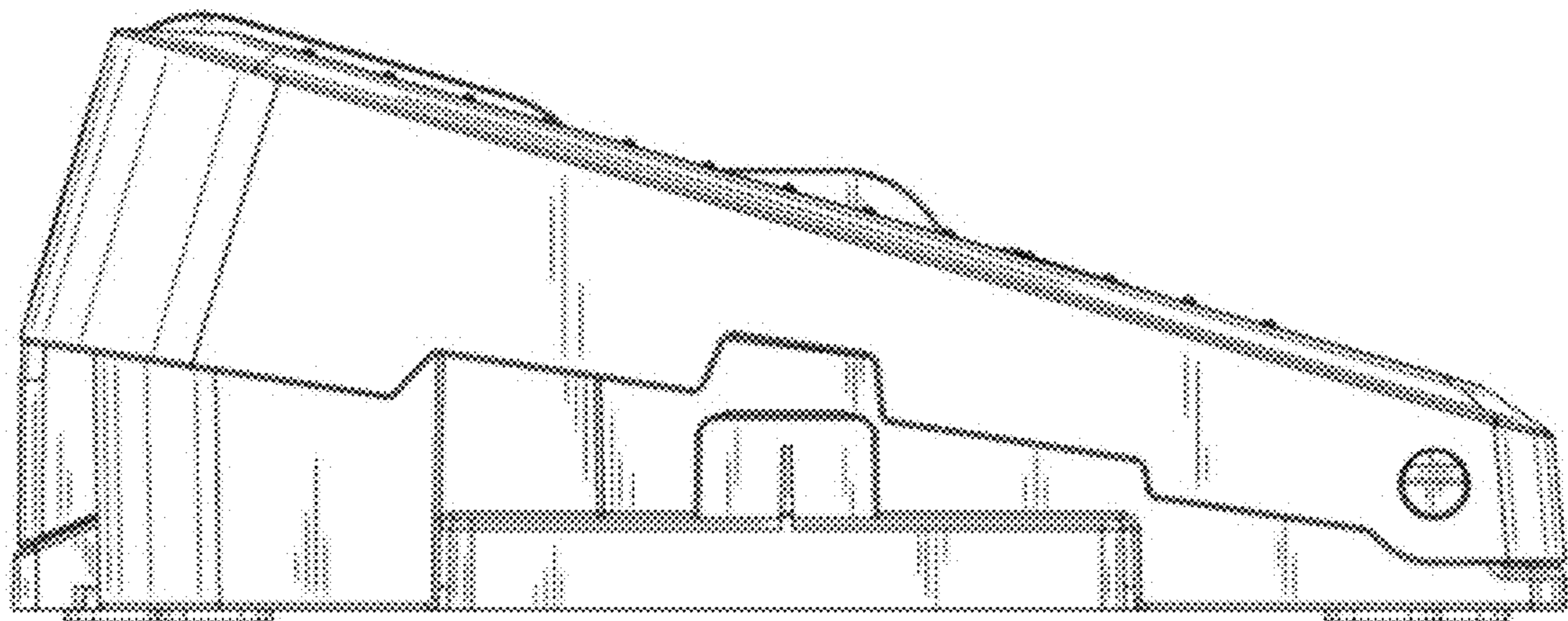
1.2



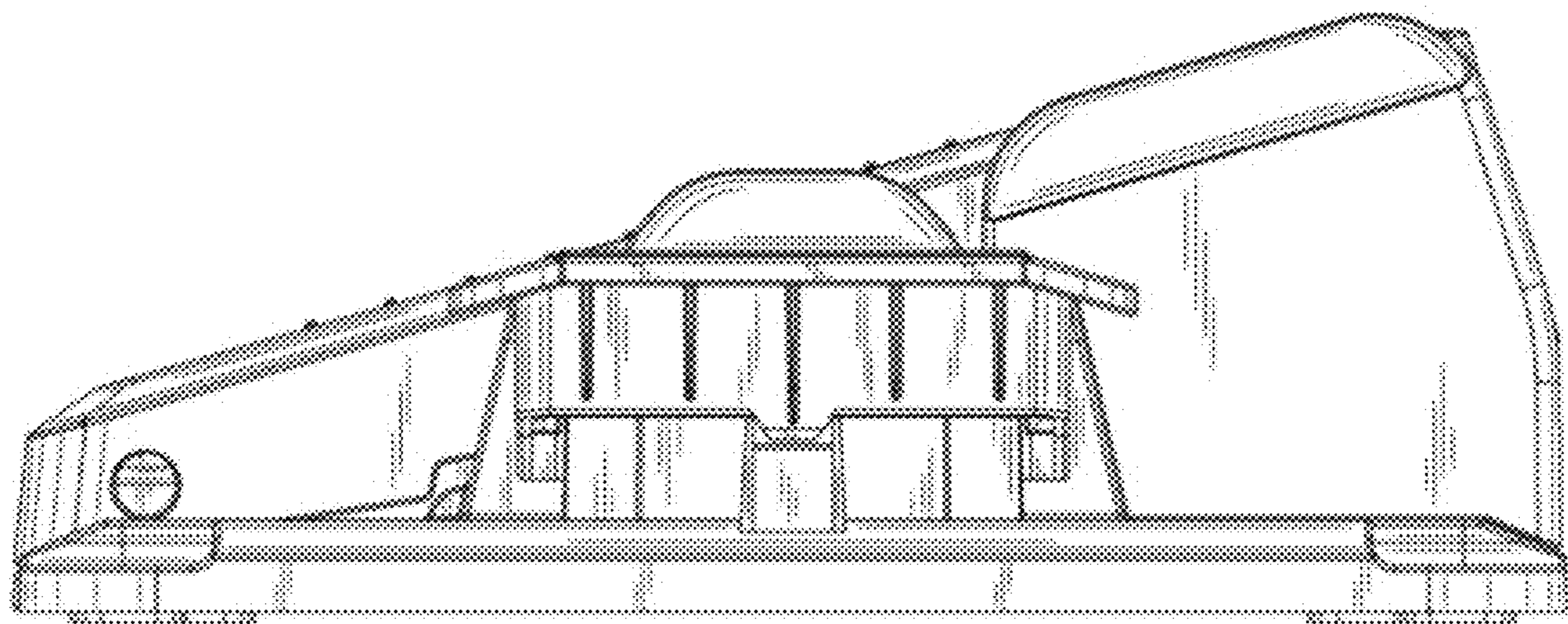
1.3



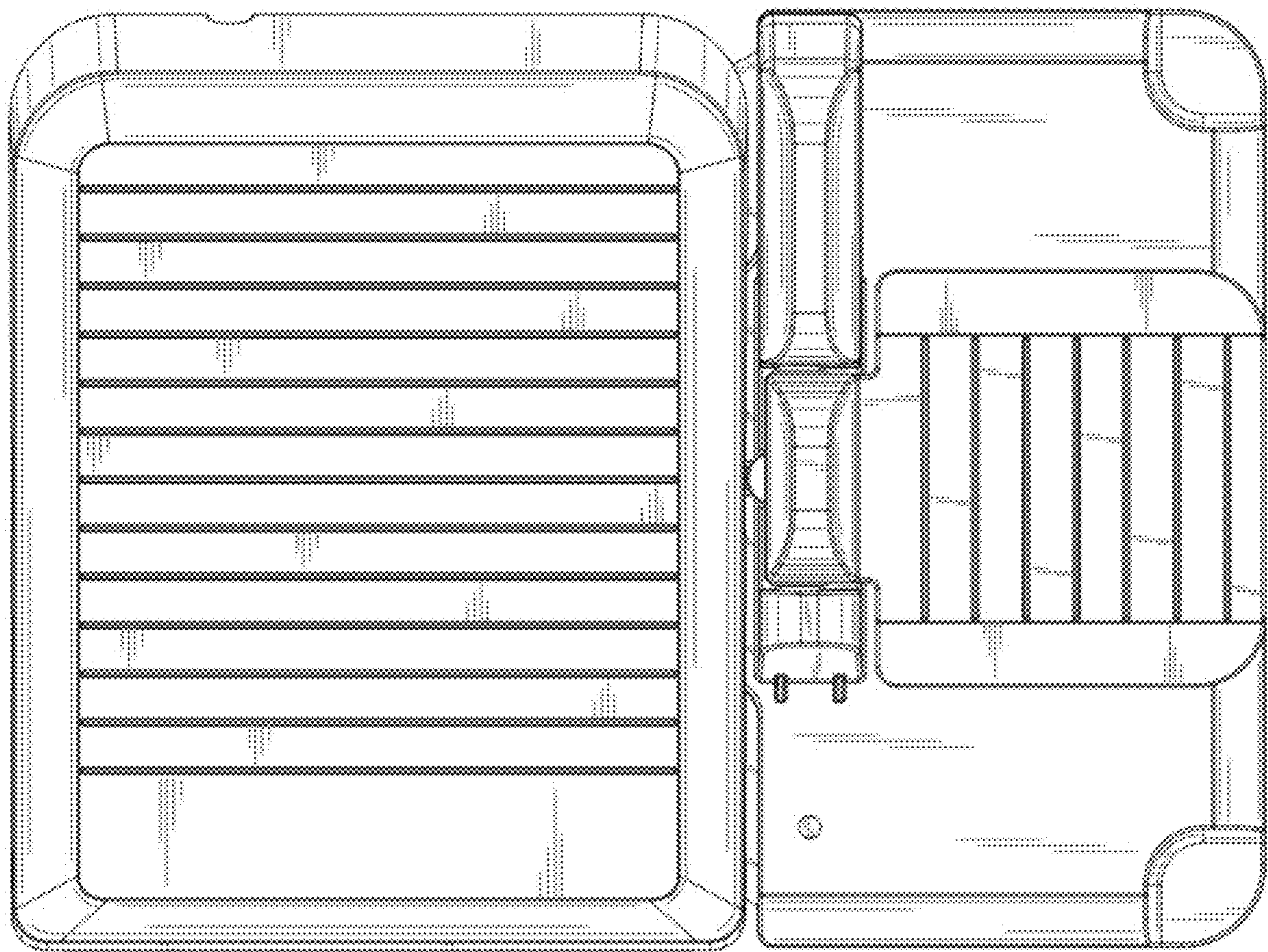
1.4



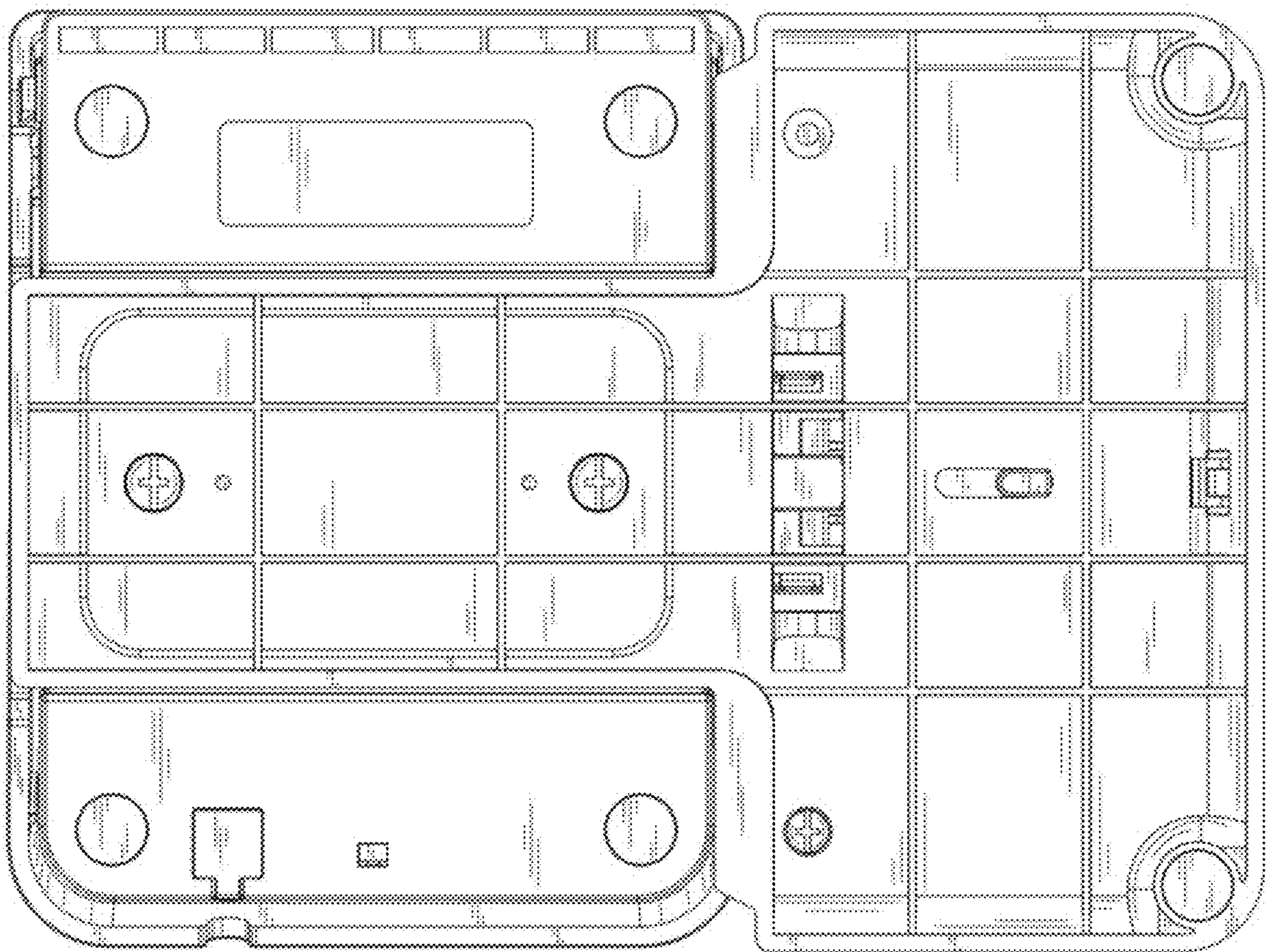
1.5



1.6

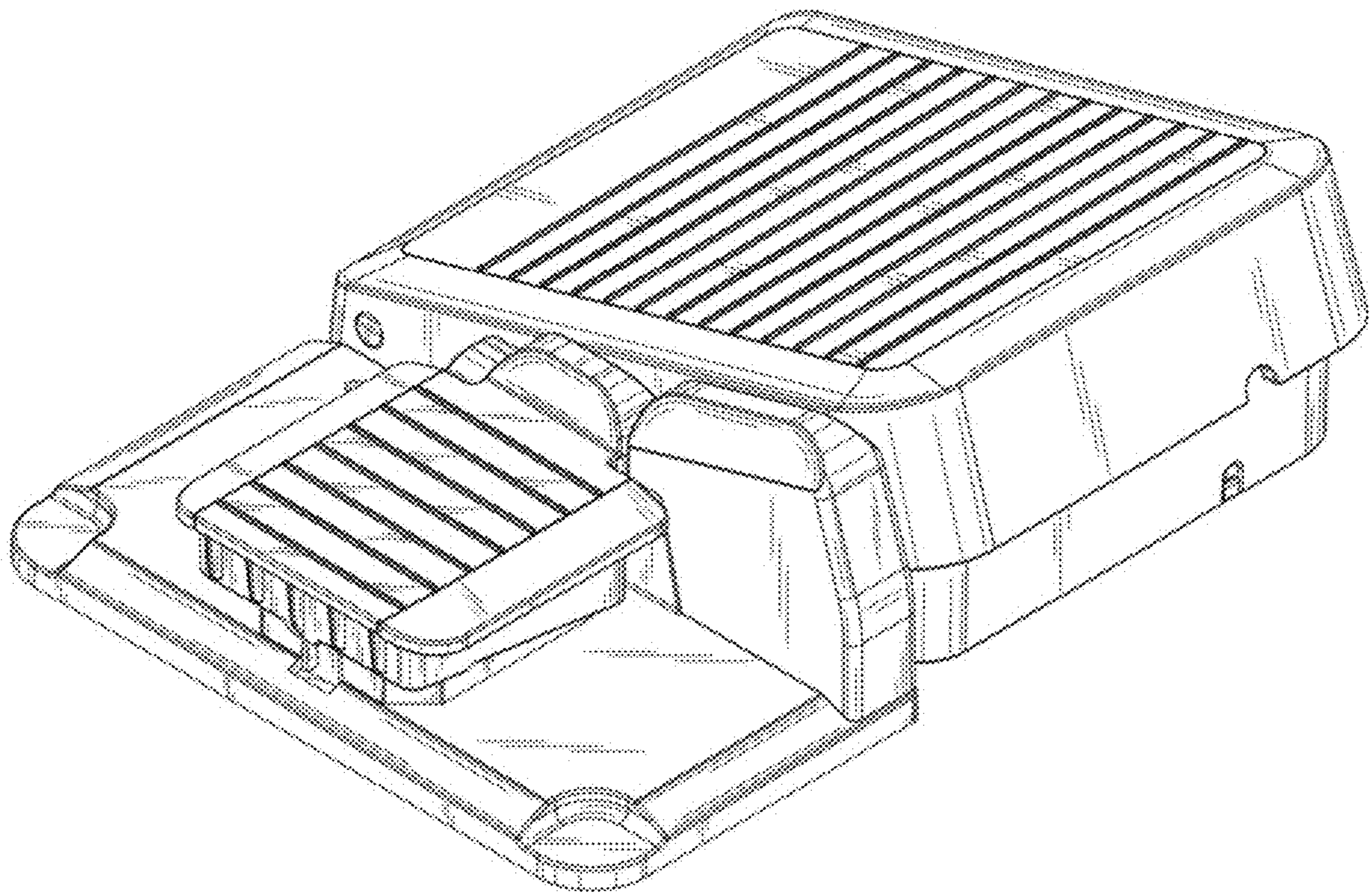


1.7





1.8



1.9

