



US00D879159S

(12) **United States Design Patent**  
**Yamamoto et al.**

(10) **Patent No.:** **US D879,159 S**  
(45) **Date of Patent:** **\*\* Mar. 24, 2020**

(54) **SEWING MACHINE**

(71) Applicant: **JUKI CORPORATION**, Tokyo (JP)

(72) Inventors: **Shigemi Yamamoto**, Tokyo (JP);  
**Syuuichi Saitou**, Tokyo (JP); **Yuuko Takemoto**, Tokyo (JP)

(\*\*) Term: **15 Years**

(21) Appl. No.: **35/505,408**

(22) Filed: **Feb. 1, 2018**

(80) **Hague Agreement Data**

Int. Filing Date: **Feb. 1, 2018**

Int. Reg. No.: **DM/101115**

Int. Reg. Date: **Feb. 1, 2018**

Int. Reg. Pub. Date: **Aug. 3, 2018**

(30) **Foreign Application Priority Data**

Aug. 21, 2017 (JP) ..... 2017-017877

(51) **LOC (12) Cl.** ..... **15-06**

(52) **U.S. Cl.**

USPC ..... **D15/69**

CPC ..... **D05B 1/00** (2013.01)

(58) **Field of Classification Search**

USPC ..... D15/66-78

CPC ..... D05B 1/00-25/00

See application file for complete search history.

(56) **References Cited**

**U.S. PATENT DOCUMENTS**

D403,333 S \* 12/1998 Takada ..... D15/70  
D430,886 S \* 9/2000 Yamamoto ..... D15/69  
D450,720 S \* 11/2001 Kuroki ..... D15/69  
D459,369 S \* 6/2002 Yamamoto ..... D15/69  
D464,979 S \* 10/2002 Yamamoto ..... D15/69

D515,109 S \* 2/2006 Iwai ..... D15/69  
D515,111 S \* 2/2006 Egami ..... D15/69  
D557,291 S \* 12/2007 Gustafsson ..... D15/70  
D591,312 S \* 4/2009 Mori ..... D15/69  
D596,206 S \* 7/2009 Yamamoto ..... D15/72  
D628,605 S \* 12/2010 Mutoh ..... D15/69  
D671,567 S \* 11/2012 Muto ..... D15/69  
D691,181 S \* 10/2013 Asano ..... D15/69  
D709,923 S \* 7/2014 Muto ..... D15/69  
D720,372 S \* 12/2014 Kanai ..... D15/69  
D724,110 S \* 3/2015 Asano ..... D15/69  
D724,111 S \* 3/2015 Asano ..... D15/69  
D725,684 S \* 3/2015 Muto ..... D15/69  
D725,685 S \* 3/2015 Muto ..... D15/69  
D783,687 S \* 4/2017 Asano ..... D15/69  
D794,401 S \* 8/2017 Chen ..... D7/300  
D817,365 S \* 5/2018 Kil ..... D15/69

\* cited by examiner

*Primary Examiner* — Richard E Chilcot

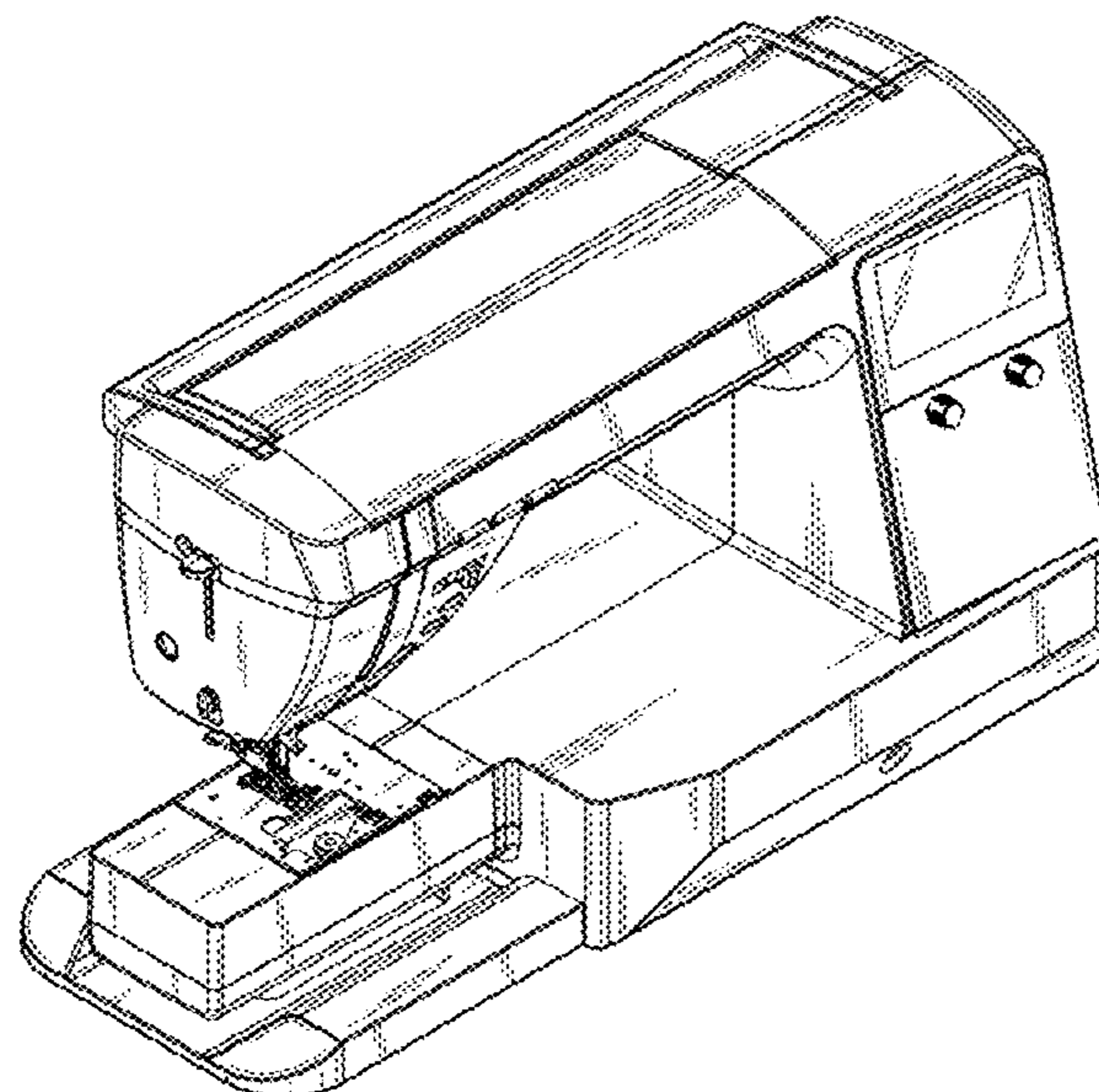
(57) **CLAIM**

The ornamental design for a sewing machine, as shown and described.

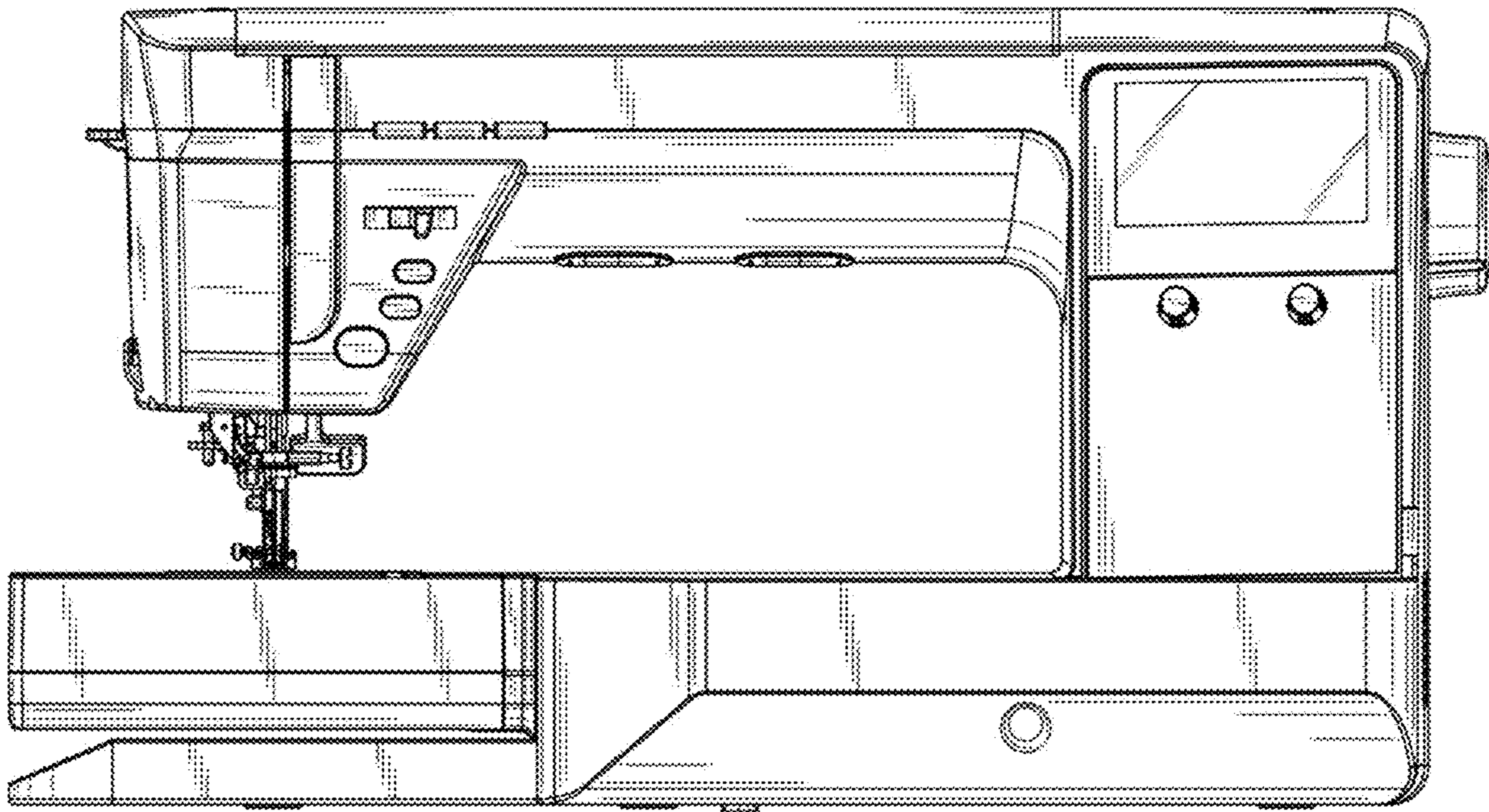
**DESCRIPTION**

1. Sewing machine  
1.1 : Front  
1.2 : Back  
1.3 : Left  
1.4 : Right  
1.5 : Top  
1.6 : Bottom  
1.7 : Front perspective view  
1.8 : Back perspective view  
1.9 : Another front perspective view, showing the sewing machine in use  
1.10 : Another back perspective view, showing the sewing machine in use  
The broken lines form no part of the claimed design.

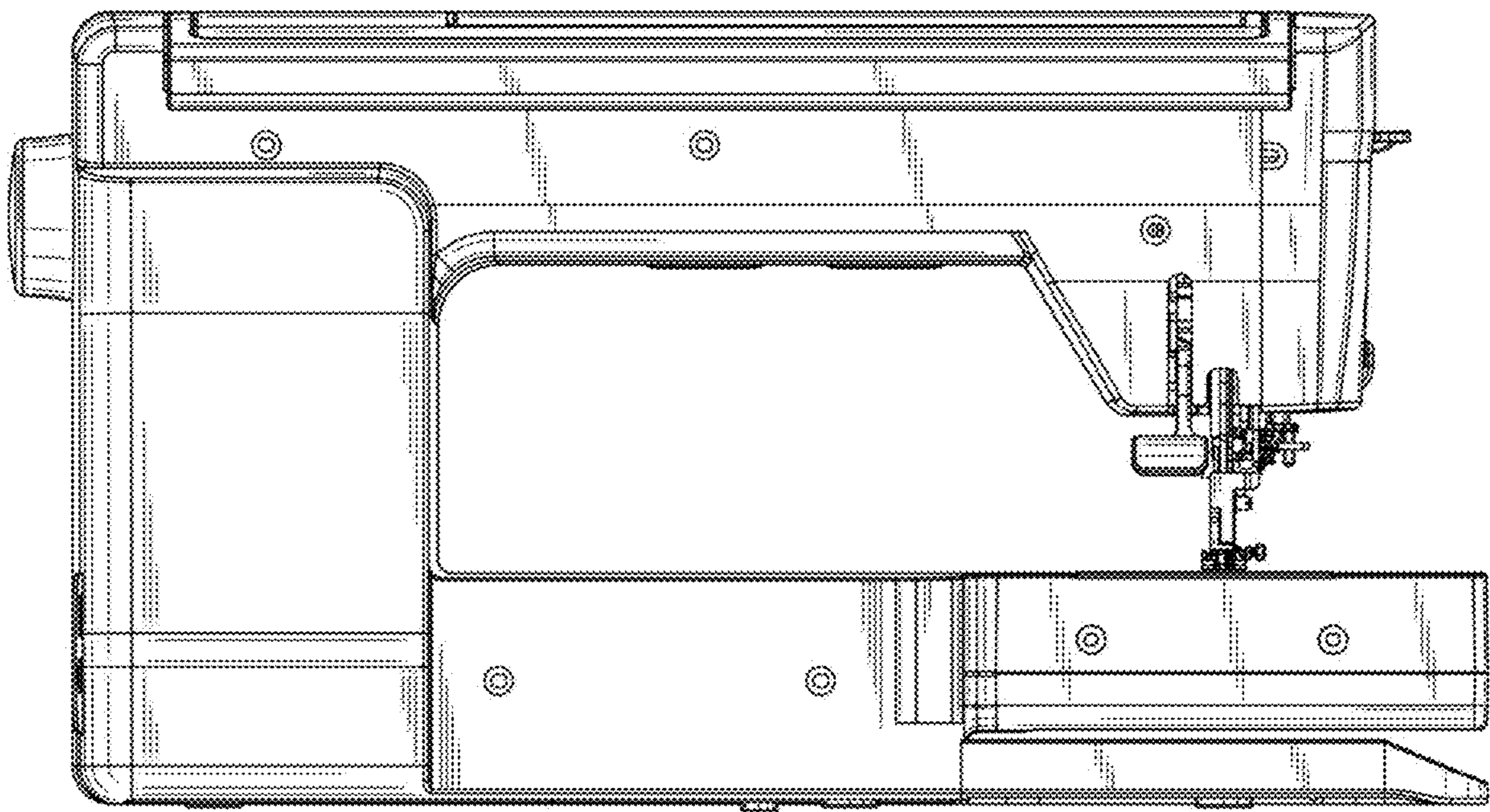
**1 Claim, 10 Drawing Sheets**



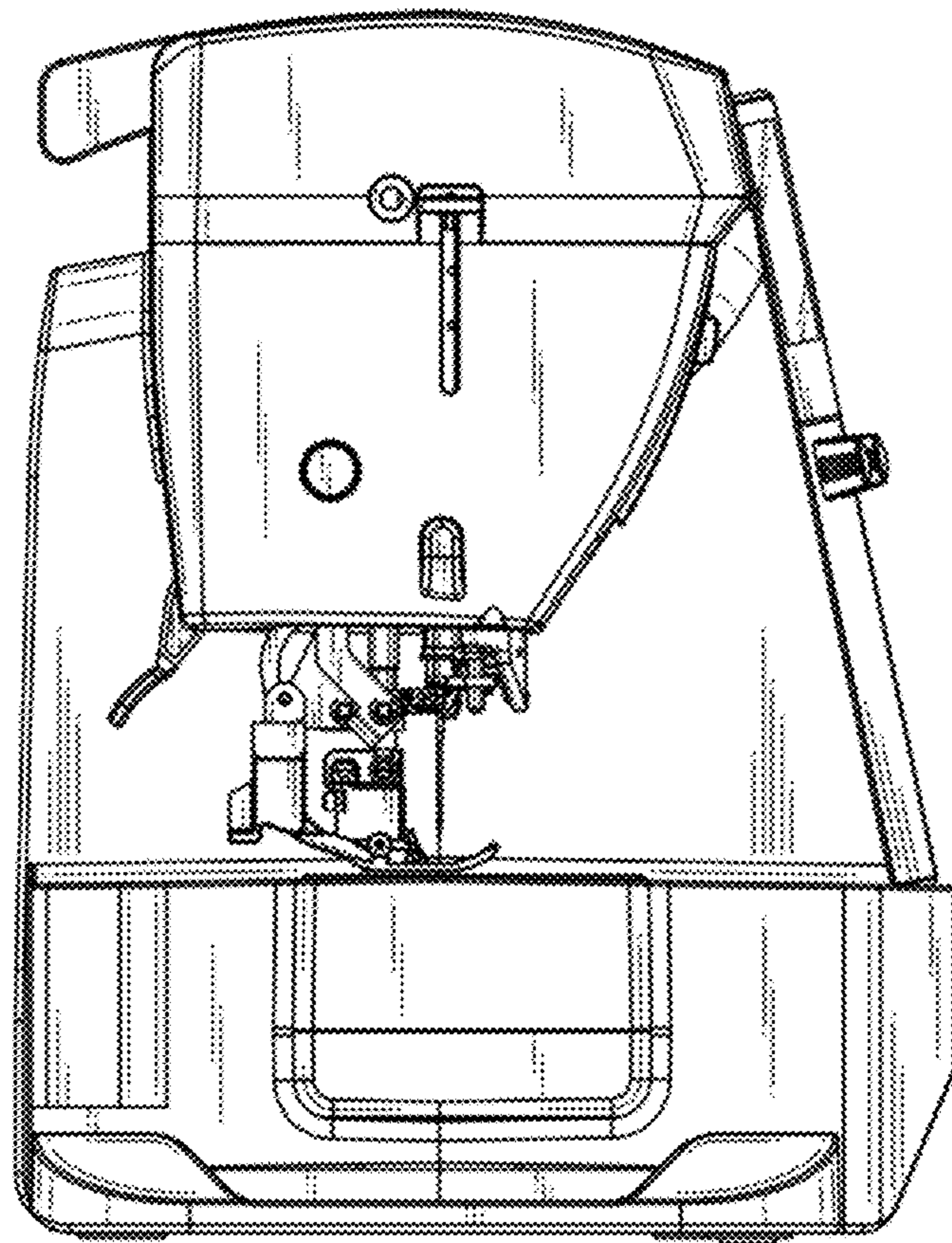
1.1



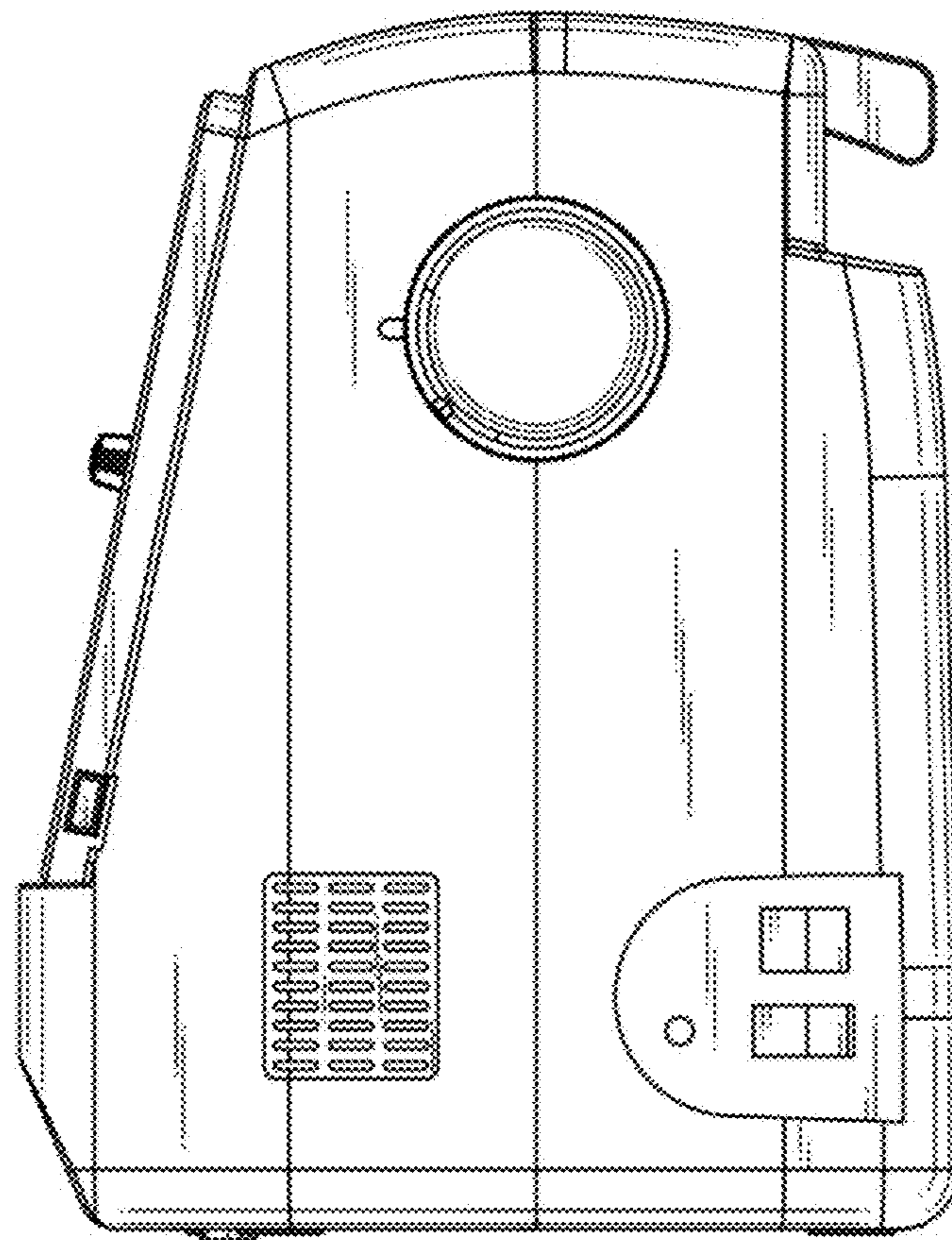
1.2



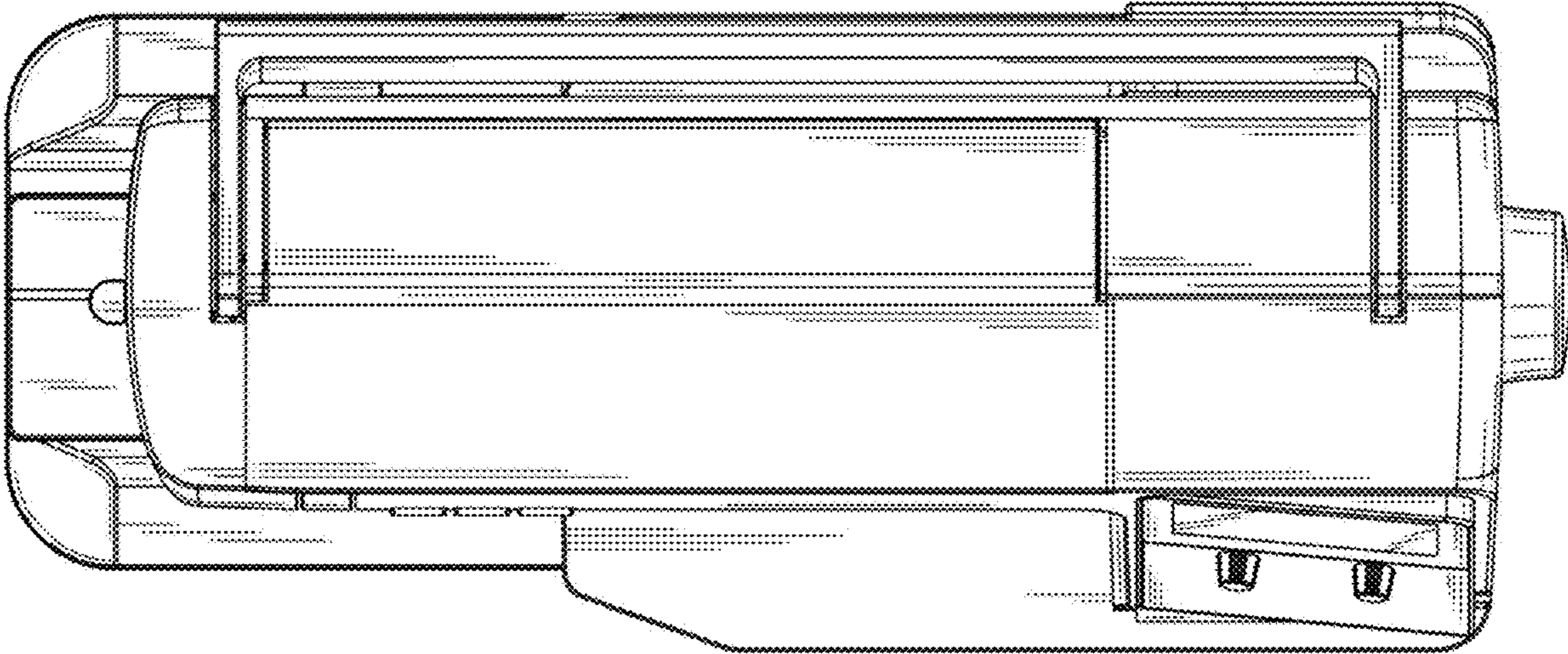
1.3



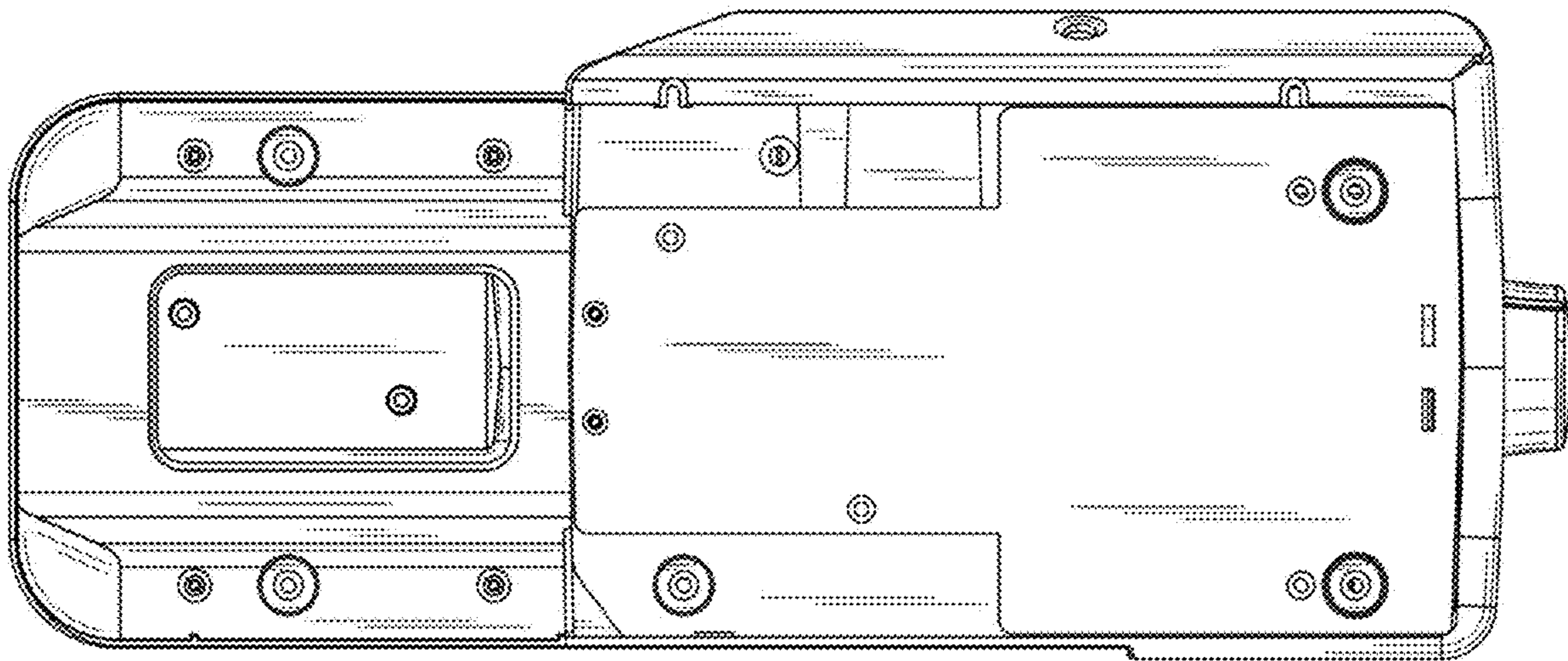
1.4



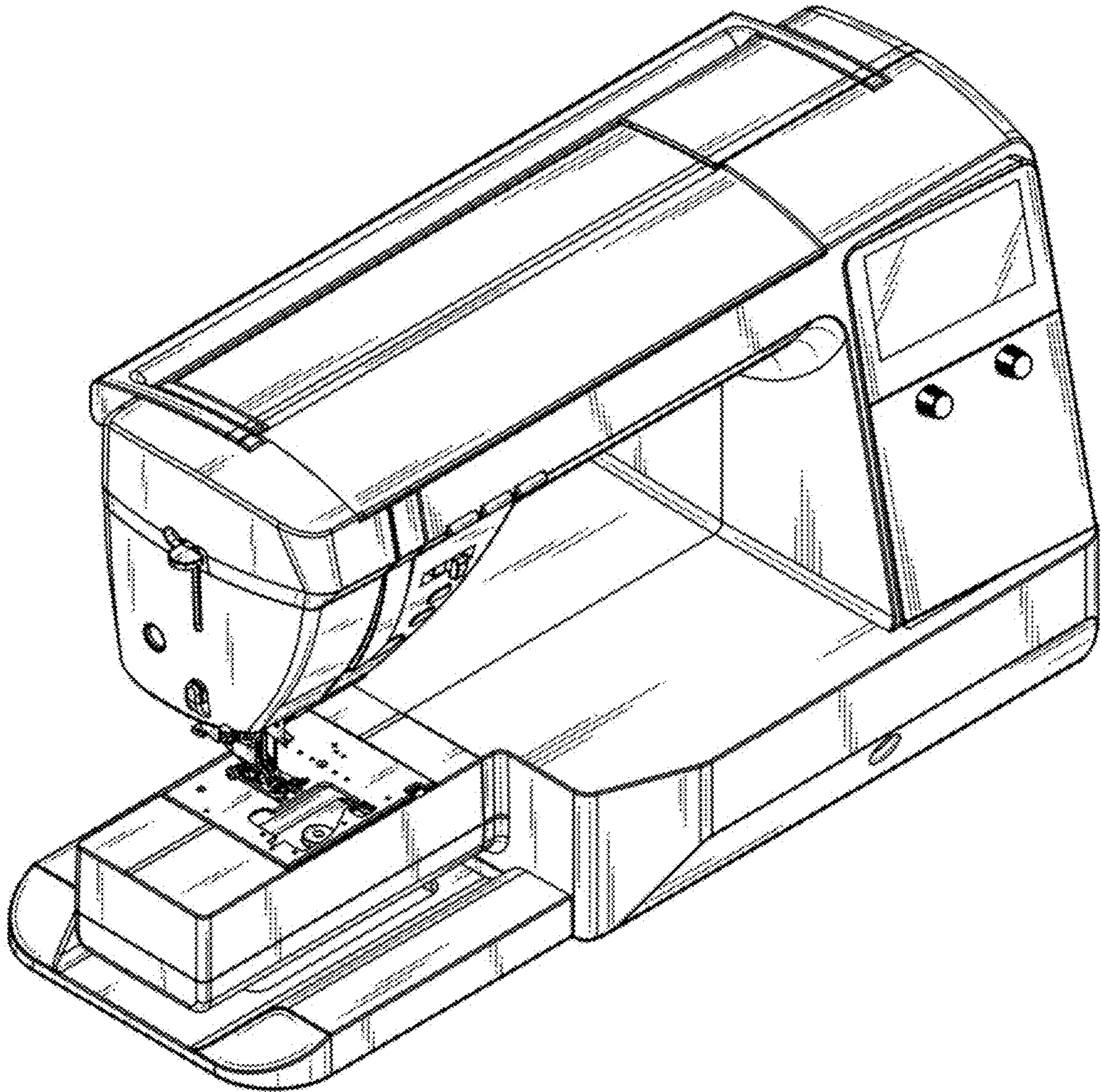
1.5



1.6

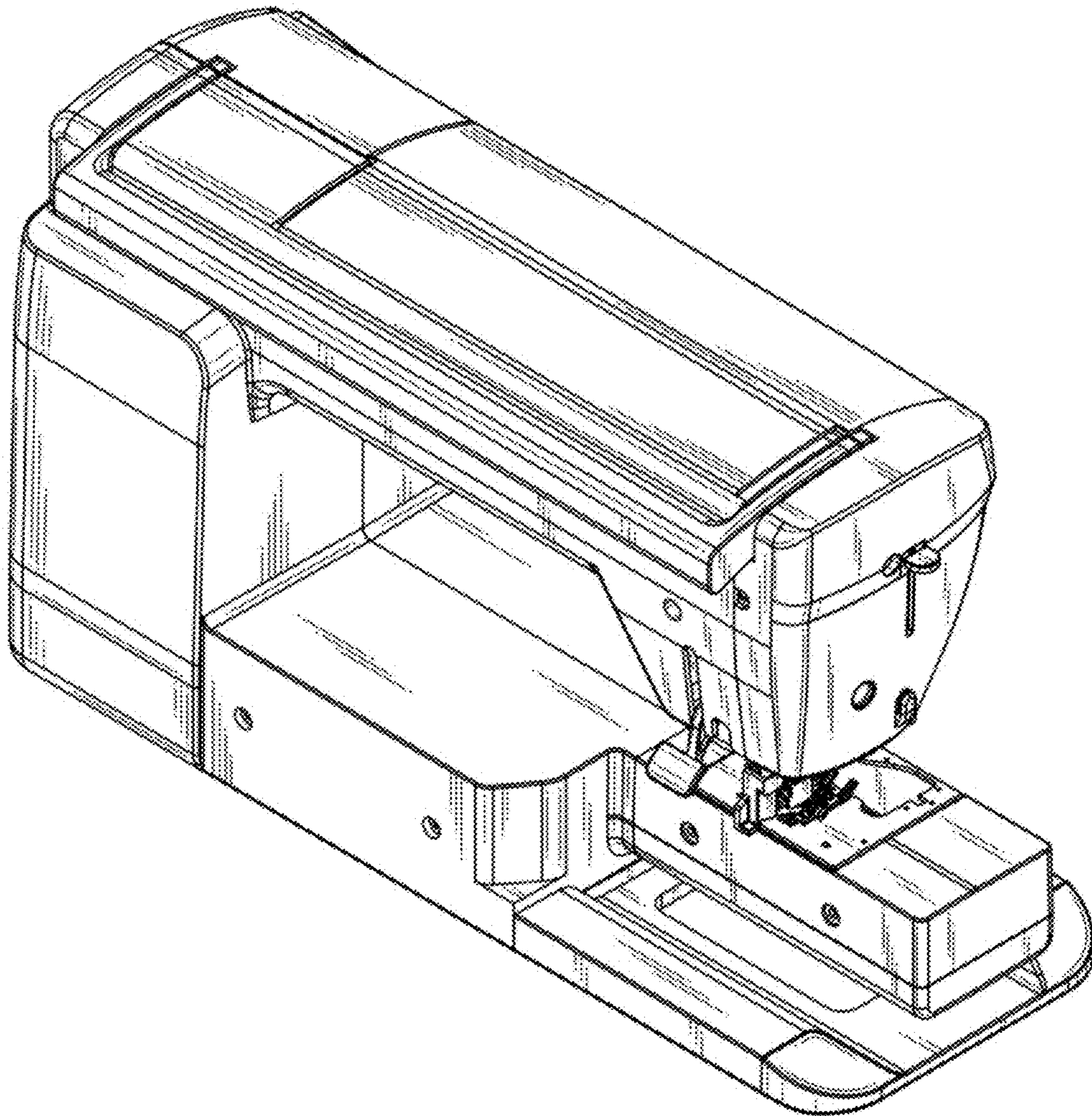


1.7

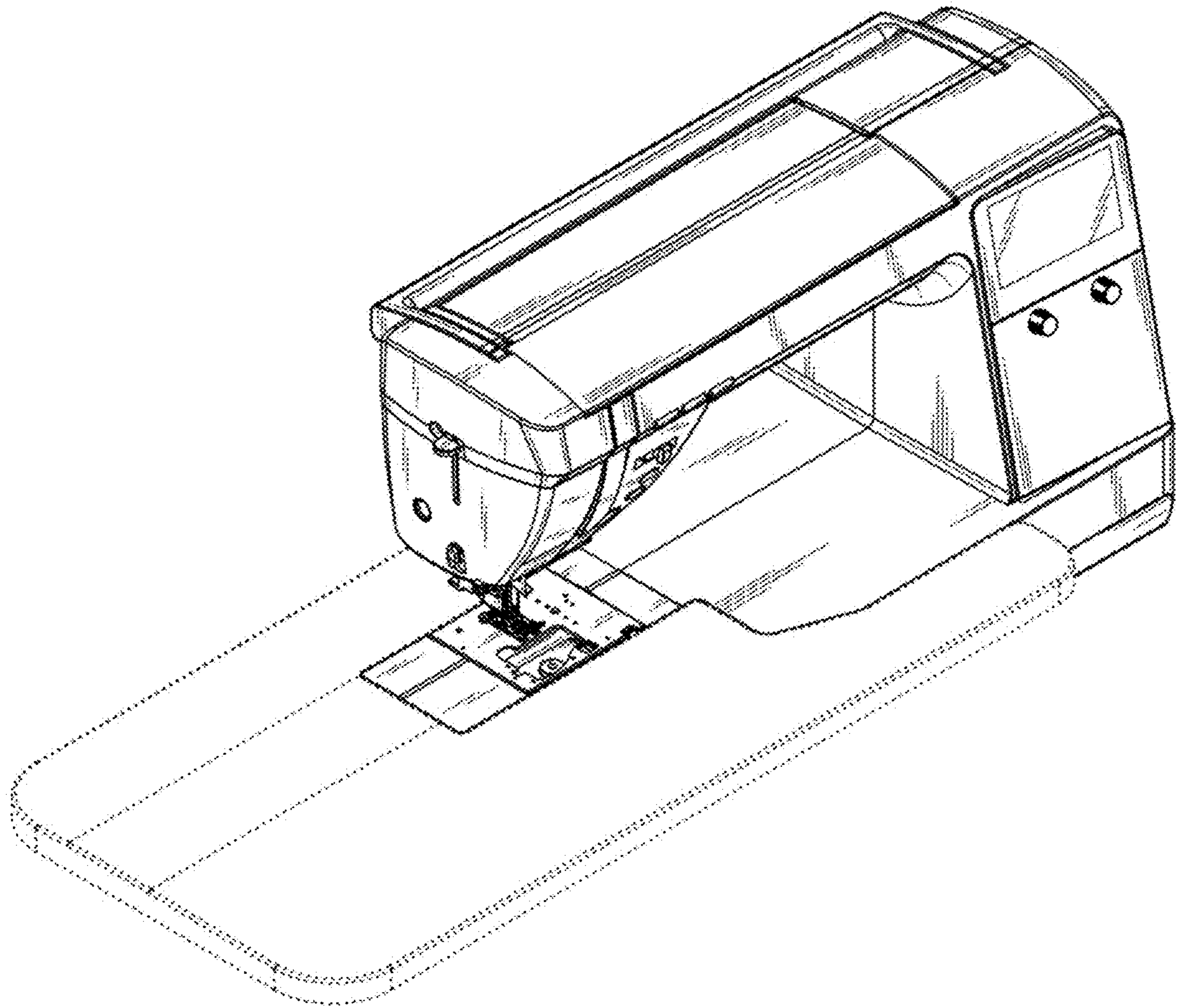




1.8



1.9



1.10

