



US00D879157S

(12) **United States Design Patent**  
**Zabe**

(10) **Patent No.:** **US D879,157 S**  
(45) **Date of Patent:** **\*\* Mar. 24, 2020**

- (54) **BALER BODY**
- (71) Applicant: **Deere & Company**, Moline, IL (US)
- (72) Inventor: **Mickael Zabe**, Ougney (FR)
- (73) Assignee: **DEERE & COMPANY**, Moline, IL (US)
- (\*\*) Term: **15 Years**
- (21) Appl. No.: **29/629,828**
- (22) Filed: **Dec. 15, 2017**
- (30) **Foreign Application Priority Data**

D412,507	S *	8/1999	Underhill	.....	D15/27
6,857,251	B2 *	2/2005	McClure	.....	A01F 15/141
					100/912
D600,253	S *	9/2009	Jacobs	.....	D15/10
D626,972	S *	11/2010	Hoover	.....	D15/27
D702,263	S *	4/2014	Jacobsthal	.....	D15/27
D796,558	S	9/2017	Johnson et al.		
D797,158	S	9/2017	Johnson et al.		
D825,618	S *	8/2018	Zabe	.....	D15/27
D835,683	S *	12/2018	Zabe	.....	D15/28
D835,684	S *	12/2018	Zabe	.....	D15/28
D836,679	S *	12/2018	Zabe	.....	D15/28
D843,420	S *	3/2019	Zabe	.....	D15/27
D847,867	S *	5/2019	Zabe	.....	D15/27
D860,265	S *	9/2019	Zabe	.....	D15/27
2013/0133530	A1 *	5/2013	Roberge	.....	A01F 15/0883
					100/88
2015/0195994	A1 *	7/2015	Ostermann	.....	A01F 15/0715
					100/3

- Jul. 11, 2017 (EM) ..... 004097715
- (51) **LOC (12) Cl.** ..... **15-03**
- (52) **U.S. Cl.**  
USPC ..... **D15/27; D15/28; D15/33**
- (58) **Field of Classification Search**  
USPC ..... D15/27, 28, 33, 10, 17; 414/24.5;  
100/4, 5, 8, 88, 100; 56/341-343, 432,  
56/202  
CPC .... A01F 15/00; A01F 15/085; A01F 15/0715;  
A01F 15/08; A01F 15/07; A01F 15/0883  
See application file for complete search history.

\* cited by examiner

*Primary Examiner* — Mark A Goodwin  
(74) *Attorney, Agent, or Firm* — Klintworth & Rozenblat IP LLP

(57) **CLAIM**

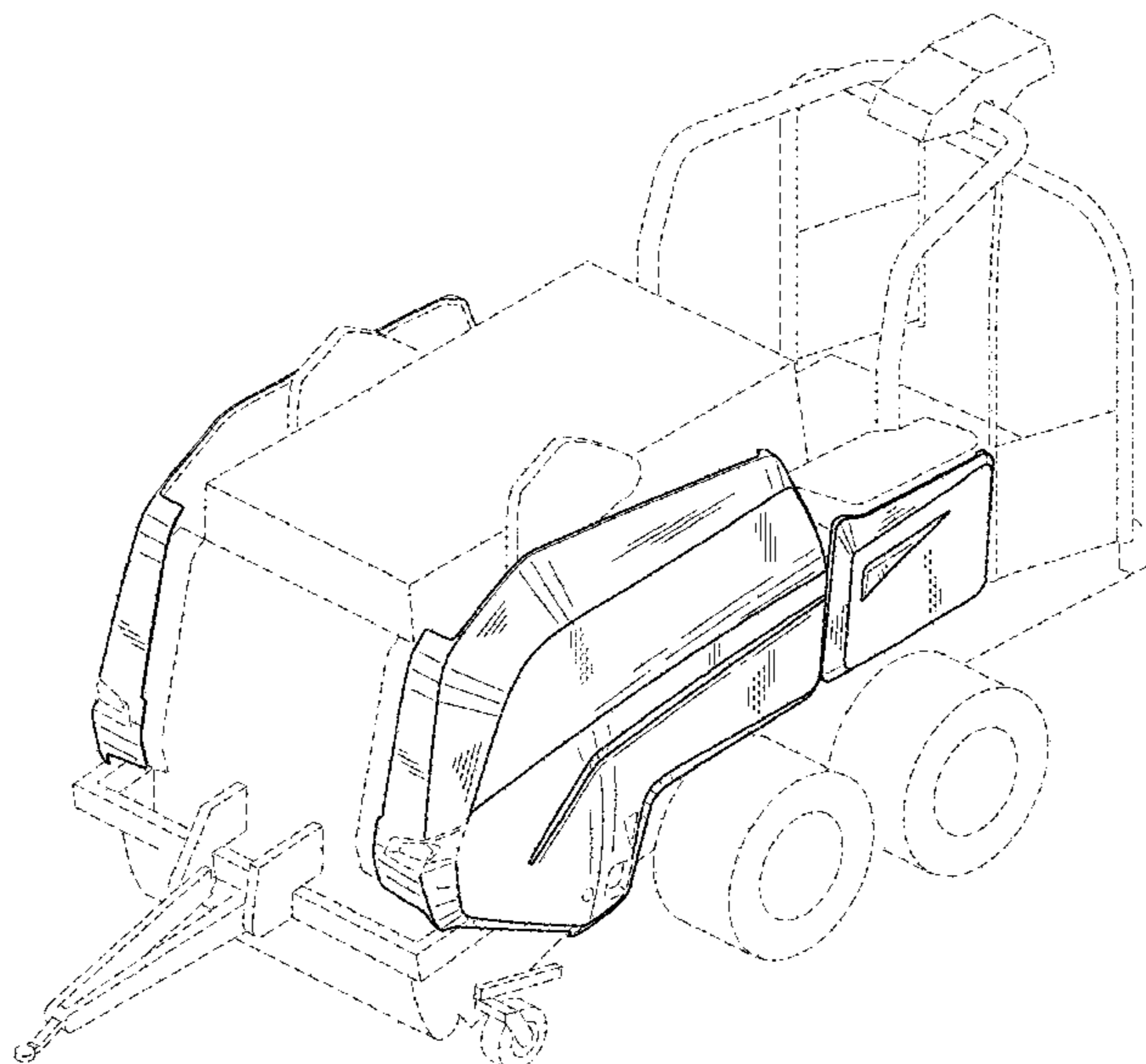
The ornamental design for a baler body, as shown and described.

**DESCRIPTION**

FIG. 1 is a perspective view of a baler body according to my new design;  
FIG. 2 is a first side elevation view thereof;  
FIG. 3 is a second side elevation view thereof;  
FIG. 4 is a front elevation view thereof;  
FIG. 5 is a rear elevation view thereof;  
FIG. 6 is a top plan view thereof; and,  
FIG. 7 is a bottom plan view thereof.  
The dash line representations in the figures represent unclaimed features or environment of the disclosed baler body design.

- (56) **References Cited**  
U.S. PATENT DOCUMENTS
- 2,828,138 A 3/1958 Brueder
- 3,913,473 A \* 10/1975 Meiers ..... A01F 15/141
- 100/5
- D238,501 S \* 1/1976 Gaeddert et al. .... D15/27
- D242,572 S \* 11/1976 Grist et al. .... D15/27
- D268,678 S \* 4/1983 Swenson ..... D15/27
- 5,131,214 A \* 7/1992 Vermeer ..... A01F 15/0833
- 100/88
- 5,138,942 A \* 8/1992 Henderson ..... A01F 15/07
- 100/88

**1 Claim, 7 Drawing Sheets**



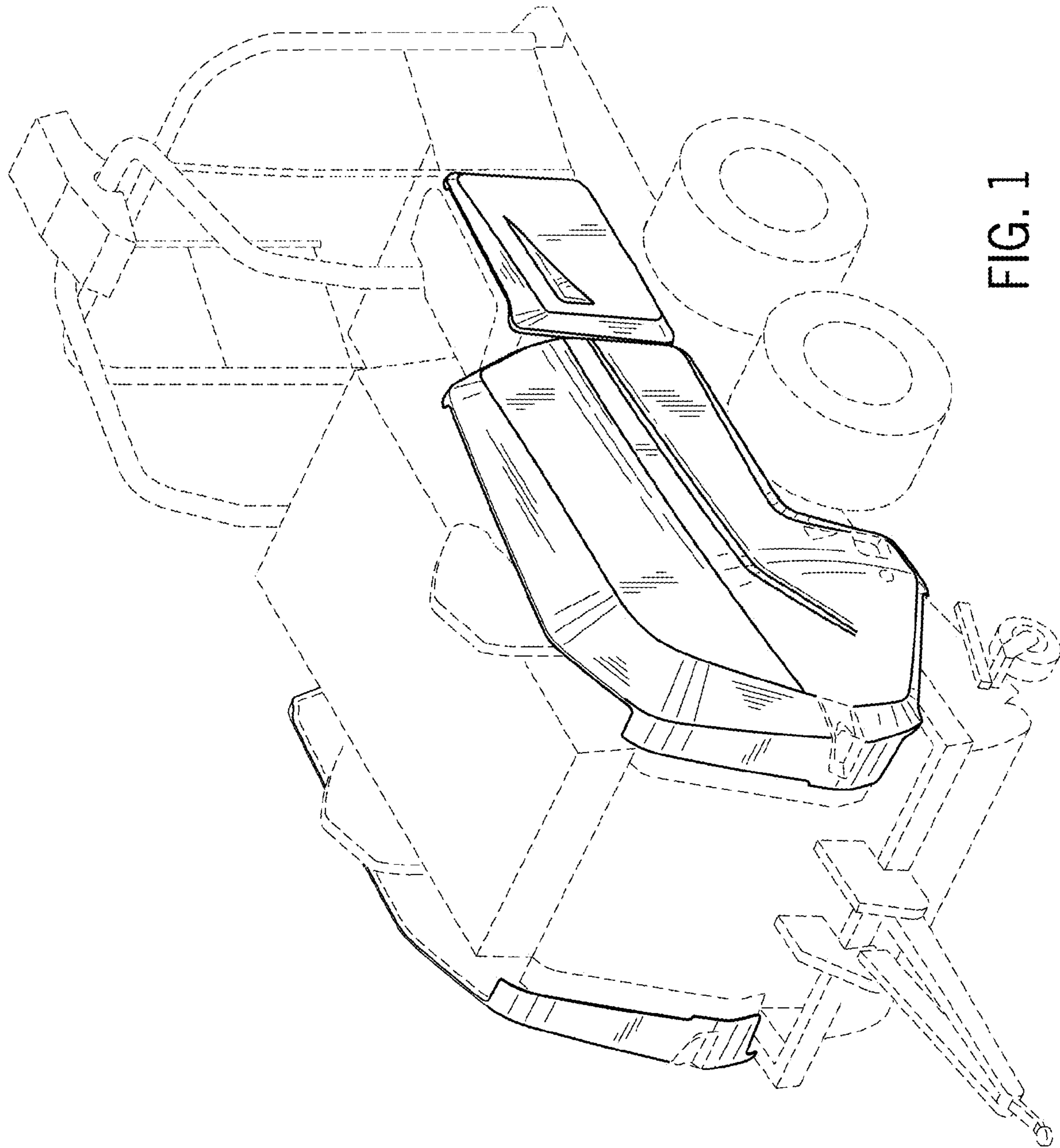


FIG. 1

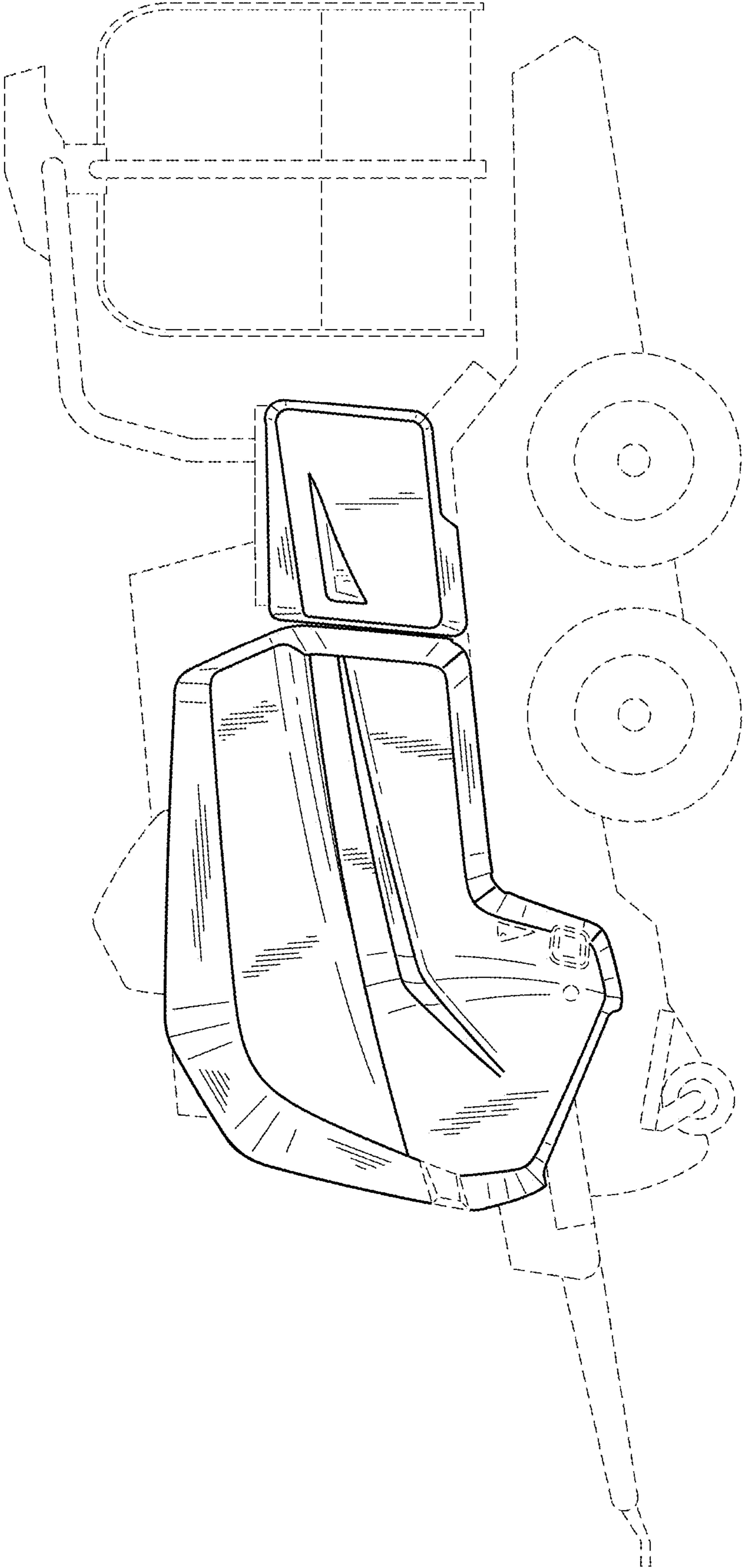


FIG. 2

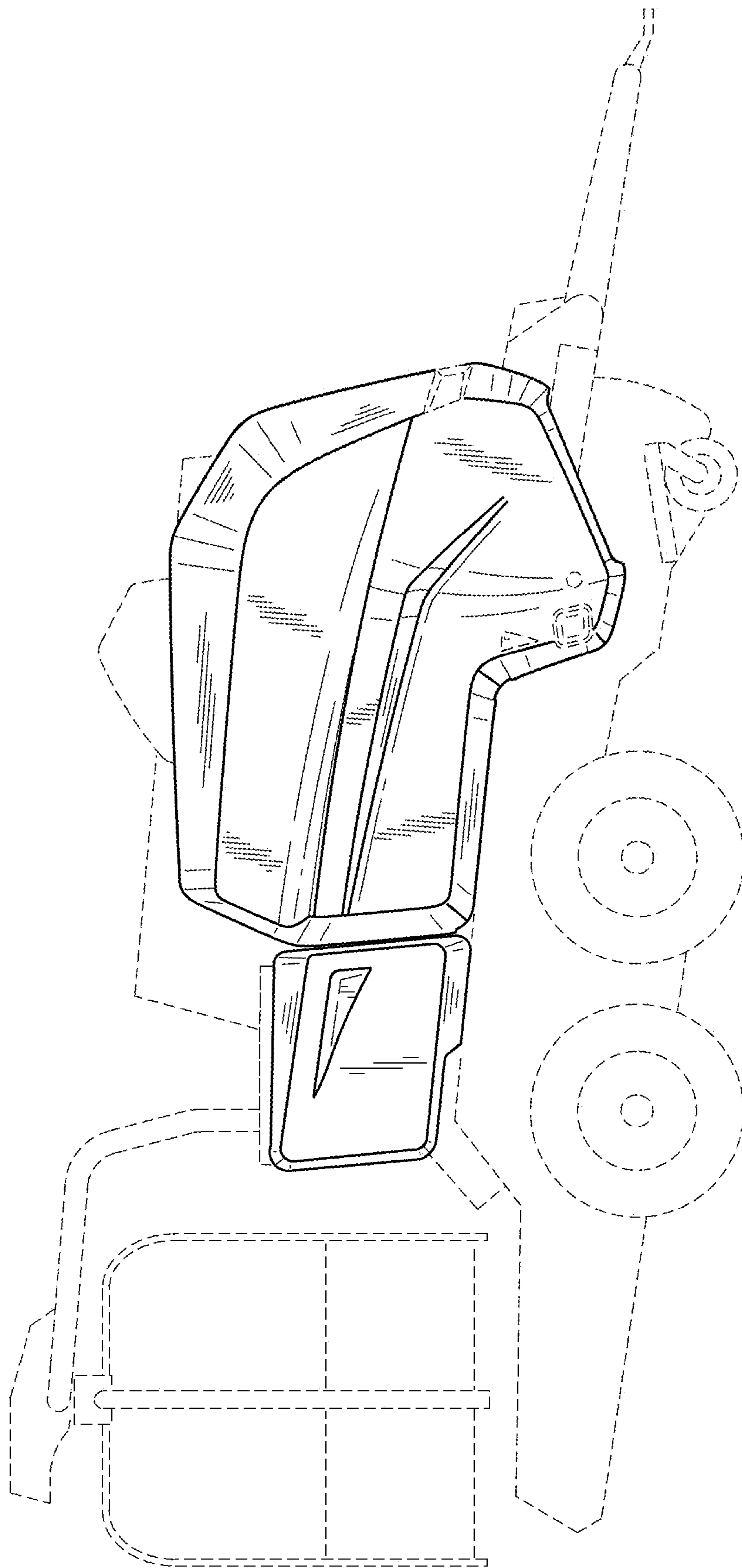


FIG. 3



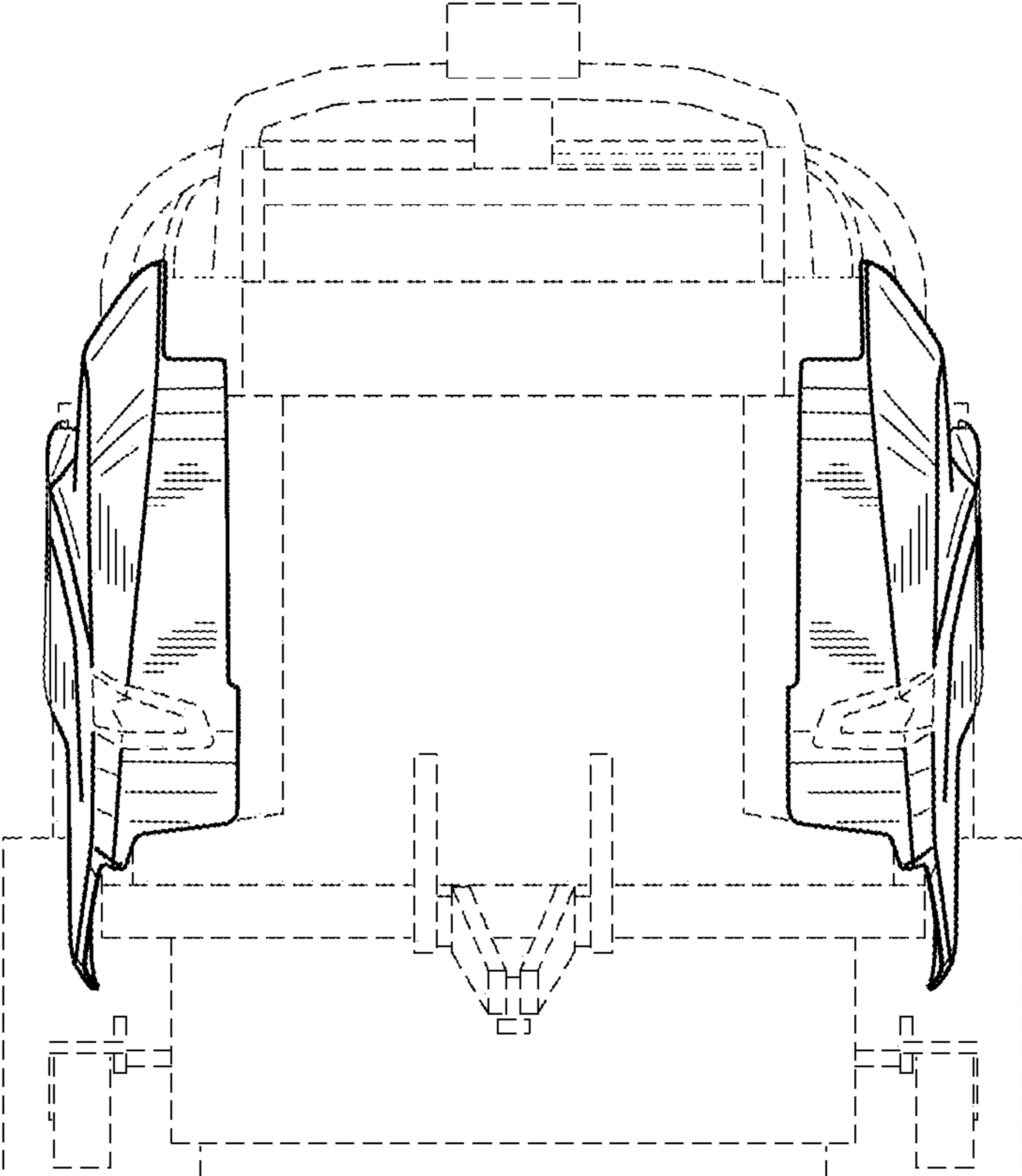


FIG. 4

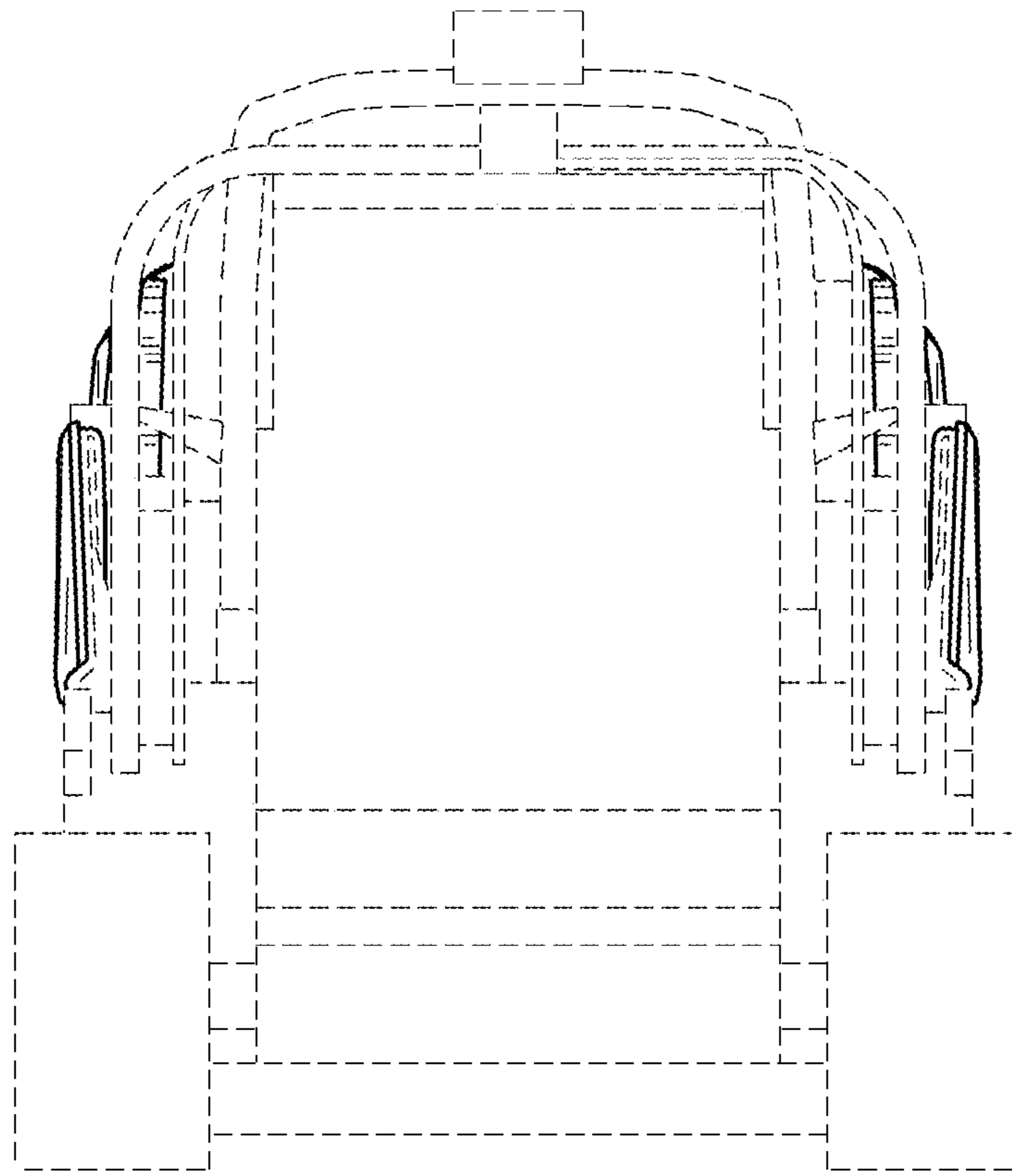


FIG. 5

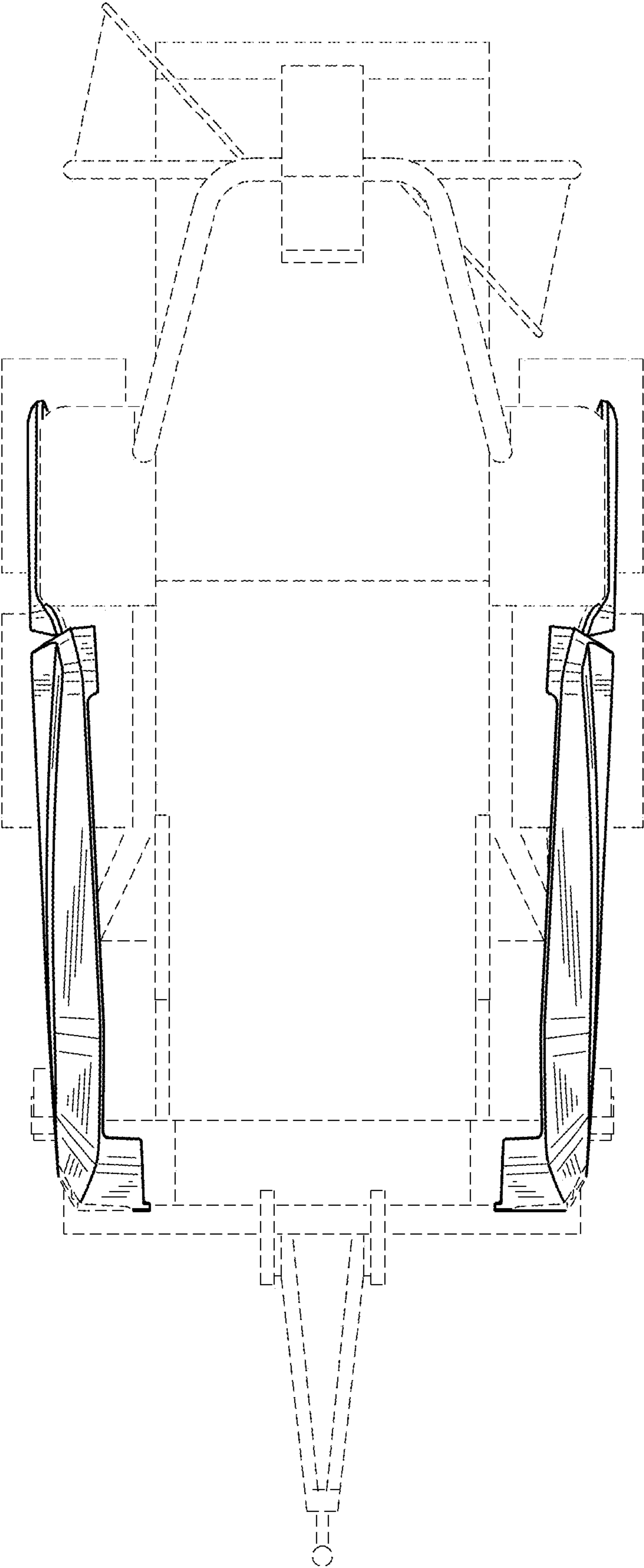


FIG. 6

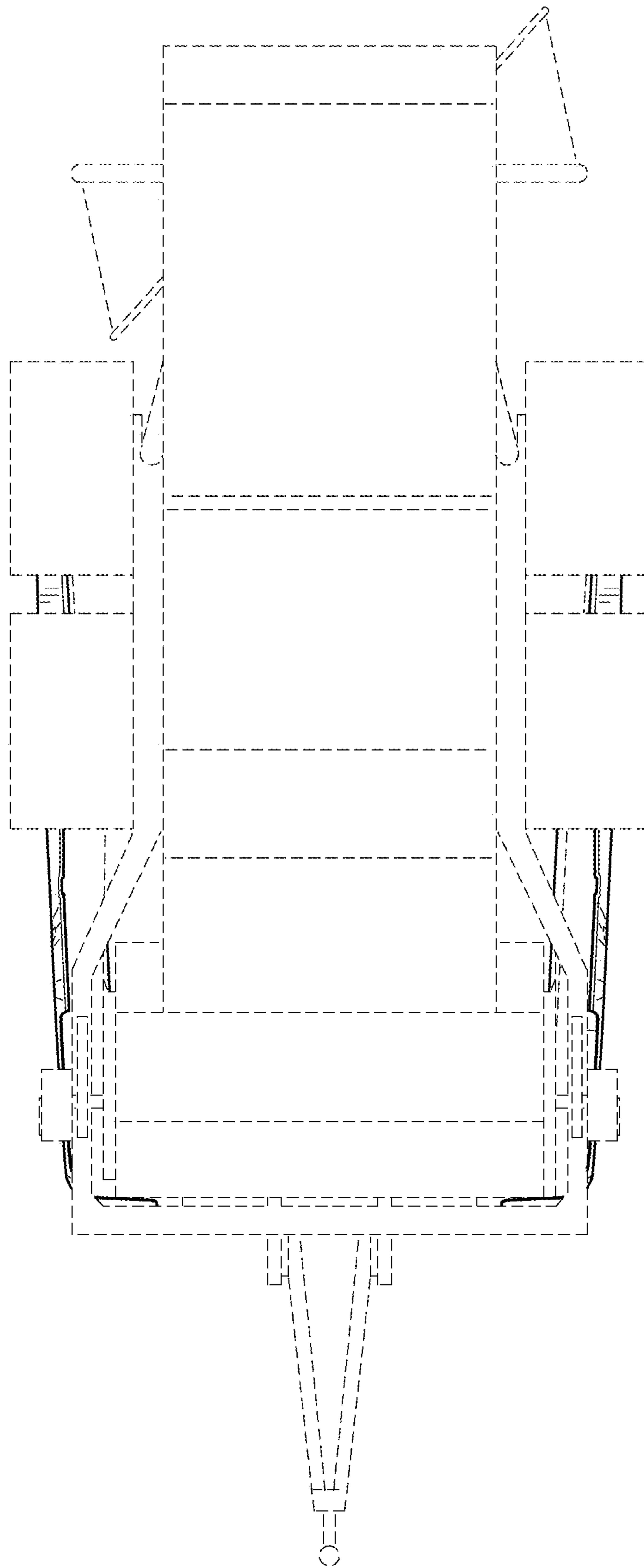


FIG. 7