



US00D879156S

(12) **United States Design Patent**  
**Winter**

(10) **Patent No.:** **US D879,156 S**  
(45) **Date of Patent:** **\*\* Mar. 24, 2020**

- (54) **PLOW GUARD**
- (71) Applicant: **Winter Equipment Company,**  
Willoughby, OH (US)
- (72) Inventor: **Kent Winter,** Willoughby, OH (US)
- (73) Assignee: **Winter Equipment Company,**  
Willoughby, OH (US)
- (\*\*) Term: **15 Years**
- (21) Appl. No.: **29/671,293**
- (22) Filed: **Nov. 26, 2018**
- (51) **LOC (12) Cl.** ..... **15-03**
- (52) **U.S. Cl.**  
USPC ..... **D15/11; D15/28**
- (58) **Field of Classification Search**  
USPC ..... D15/11, 21, 28, 32; 37/270; 280/28  
CPC ... E01H 5/06-062; E01H 5/066; E01H 5/065;  
E01H 5/12; E01H 5/04; E02F 3/76-848;  
E02F 3/08; E02F 3/8157; E02F 3/8152;  
B62B 15/00  
See application file for complete search history.

7,874,085 B1 \* 1/2011 Winter ..... E01H 5/061  
172/701.3  
D680,558 S \* 4/2013 Clement ..... D15/11  
9,708,784 B2 \* 7/2017 Winter ..... E01H 5/061  
D799,554 S \* 10/2017 Peterson ..... D15/11  
D816,720 S \* 5/2018 Winter ..... D15/11  
D824,962 S \* 8/2018 Winter ..... D15/11  
D839,315 S \* 1/2019 Winter ..... D15/11  
D839,926 S \* 2/2019 Winter ..... D15/11  
D839,927 S \* 2/2019 Winter ..... D15/11  
D839,928 S \* 2/2019 Winter ..... D15/11  
2008/0263907 A1 \* 10/2008 Winter ..... E01H 5/066  
37/270  
2016/0069041 A1 \* 3/2016 Winter ..... E02F 3/8157  
37/453  
2016/0069047 A1 \* 3/2016 Winter ..... E21C 1/00  
37/444  
2016/0333547 A1 \* 11/2016 Winter ..... E02F 3/8152  
2017/0191236 A1 \* 7/2017 Winter ..... E01H 5/061  
2018/0058026 A1 \* 3/2018 Williams ..... E01H 5/066

\* cited by examiner

*Primary Examiner* — Mark A Goodwin  
(74) *Attorney, Agent, or Firm* — Fay Sharpe LLP

(57) **CLAIM**

The ornamental design for a plow guard, as shown and described.

(56) **References Cited**

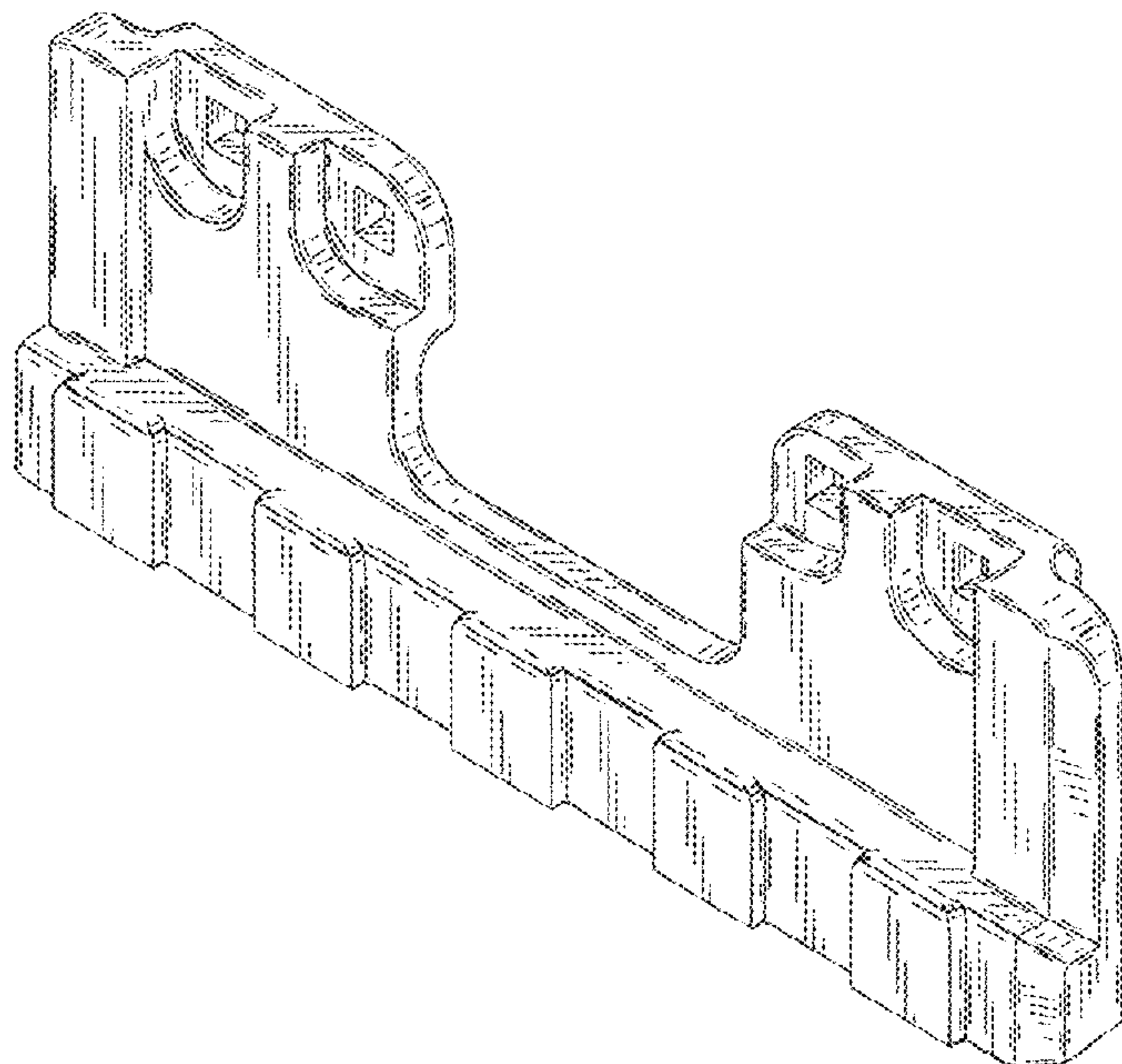
U.S. PATENT DOCUMENTS

- 1,581,414 A \* 4/1926 Young ..... E02F 3/8157  
280/28
- 2,593,025 A \* 4/1952 Hanson ..... B62B 15/00  
280/28
- 4,500,766 A \* 2/1985 Reinhardt ..... B23K 11/00  
172/719
- D291,654 S \* 9/1987 Foster, Jr. .... 280/28
- 4,899,472 A \* 2/1990 Winter ..... E01H 5/061  
37/264
- D567,826 S \* 4/2008 Clendenning ..... D15/29
- D567,827 S \* 4/2008 Clendenning ..... D15/29

**DESCRIPTION**

FIG. 1 is a front perspective view of a plow guard;  
FIG. 2 is a front perspective view thereof;  
FIG. 3 is a rear perspective view thereof;  
FIG. 4 is a front elevation view thereof;  
FIG. 5 is a left elevation view thereof;  
FIG. 6 is a right elevation view thereof;  
FIG. 7 is a top plan view thereof;  
FIG. 8 is a bottom plan view thereof; and,  
FIG. 9 is a rear elevation view thereof.

**1 Claim, 5 Drawing Sheets**



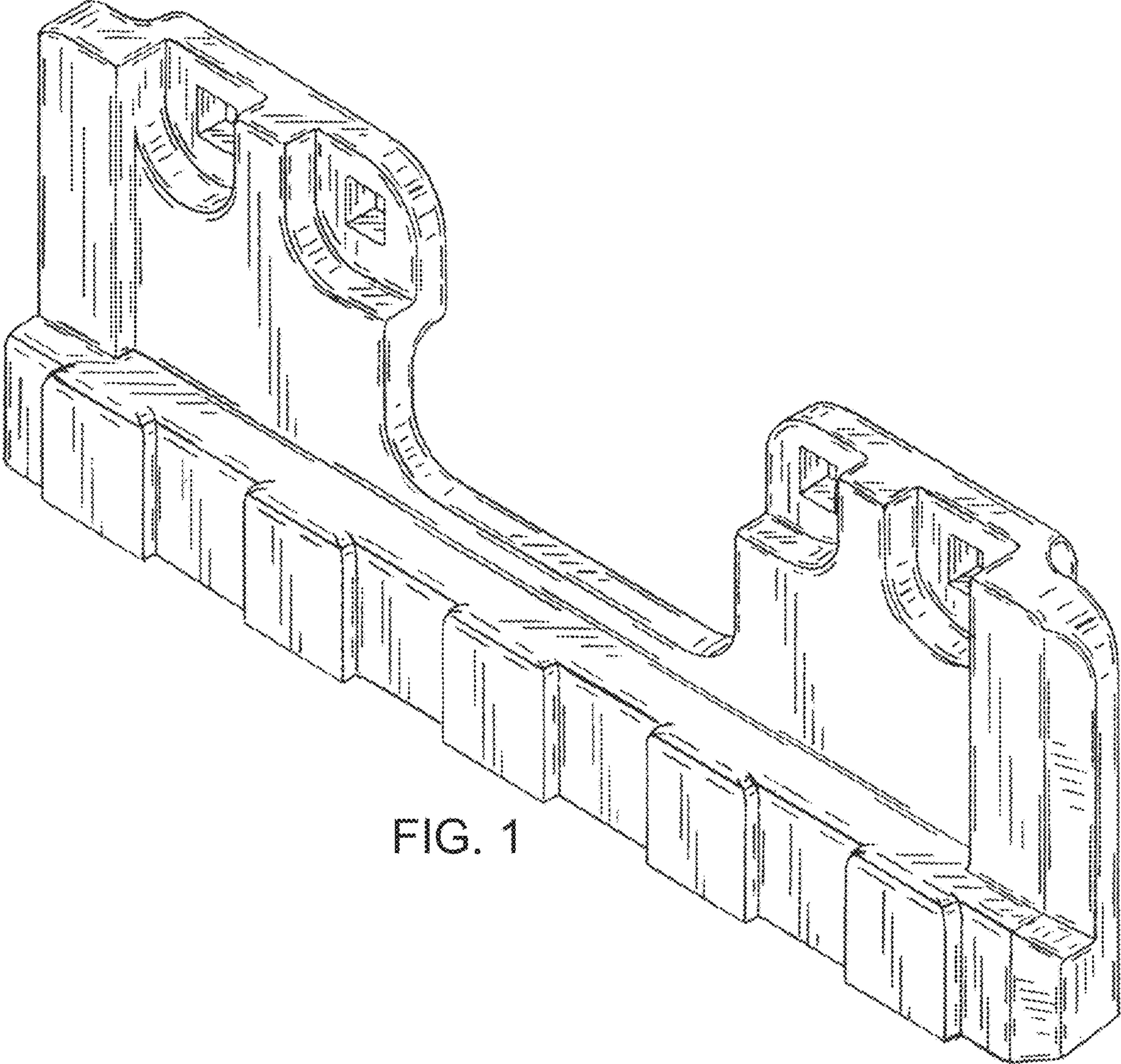


FIG. 1



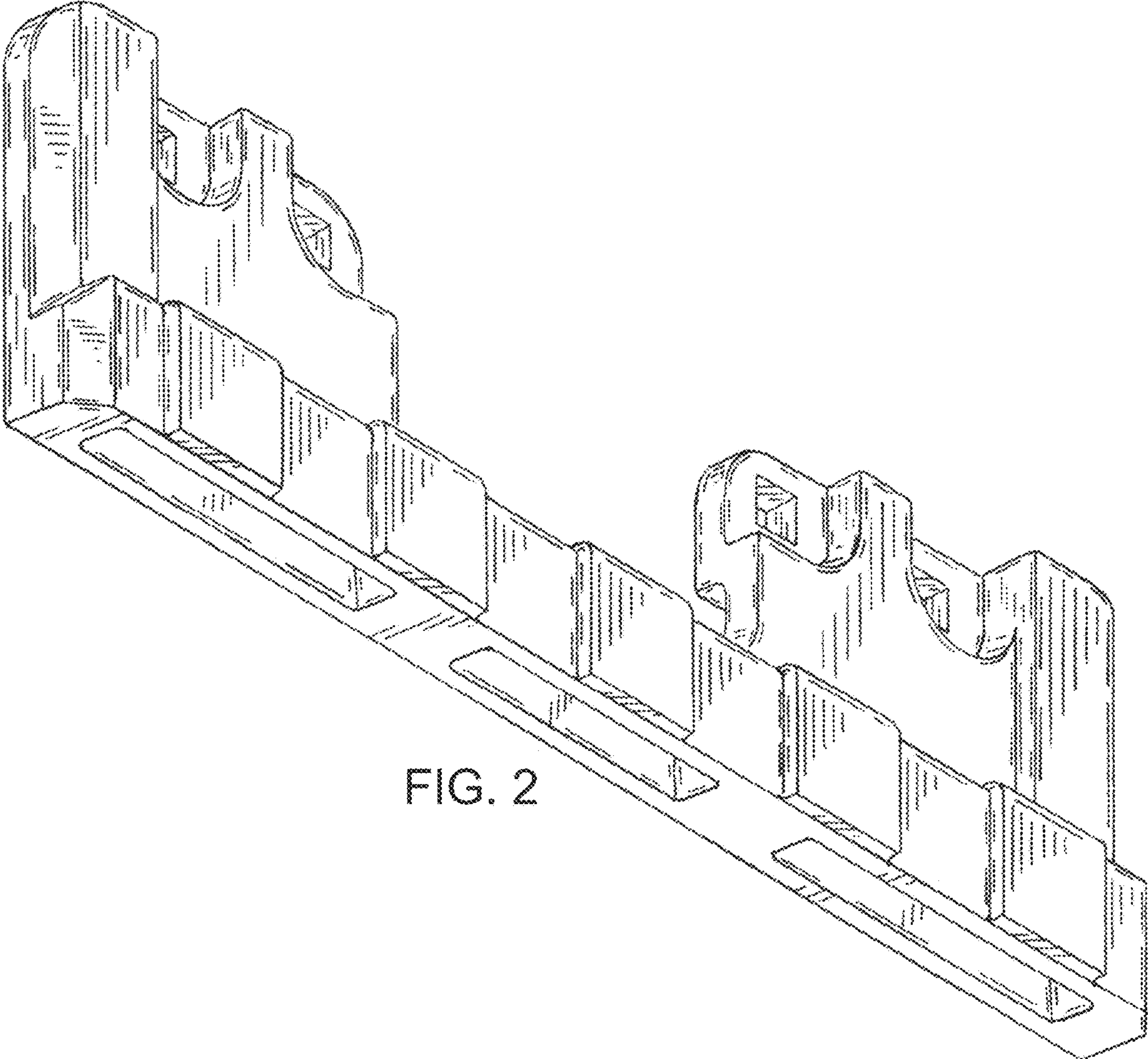


FIG. 2

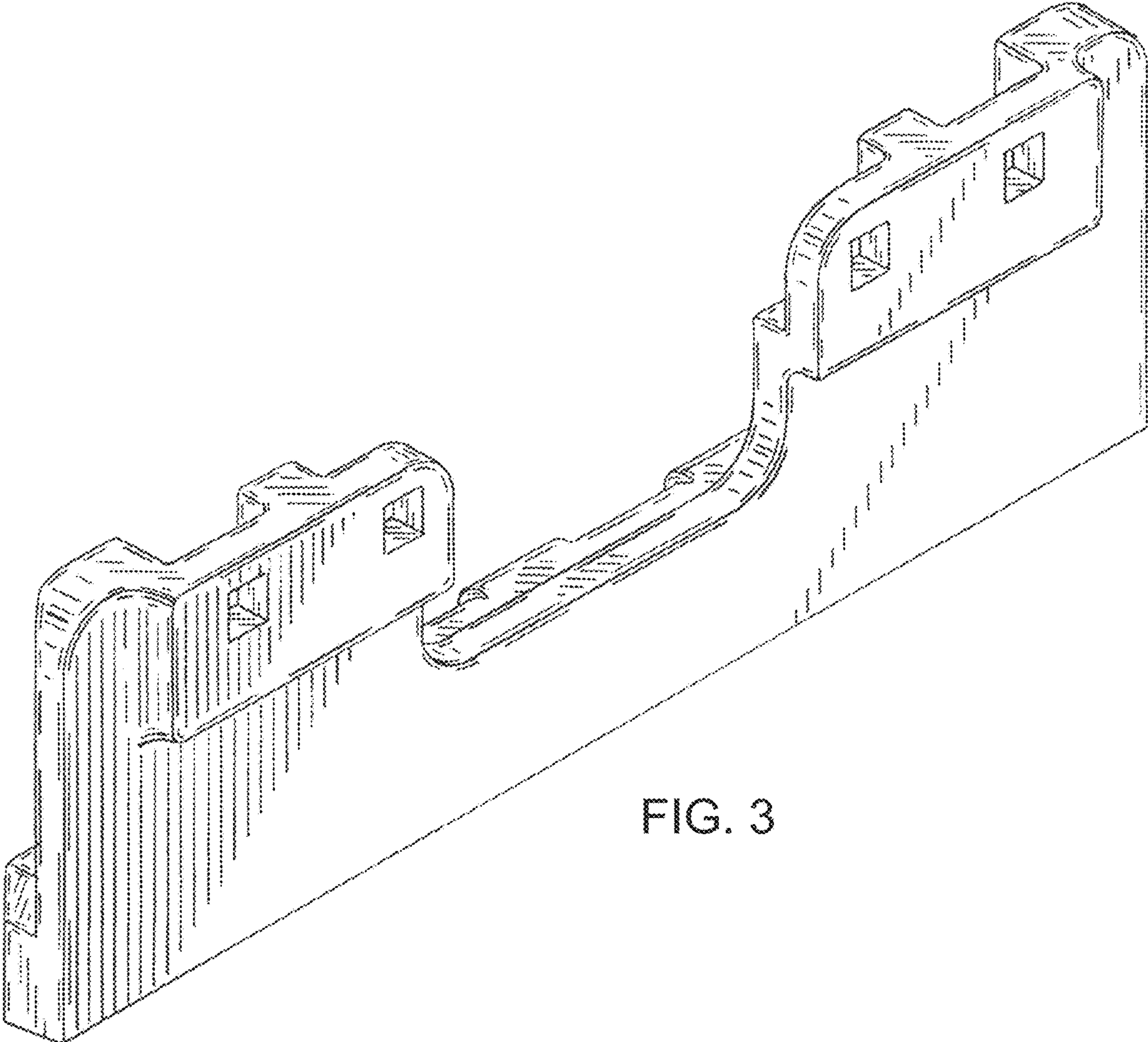


FIG. 3



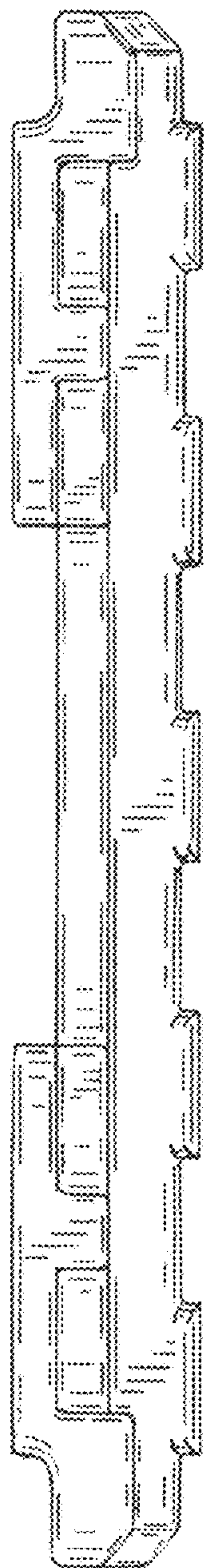


FIG. 7

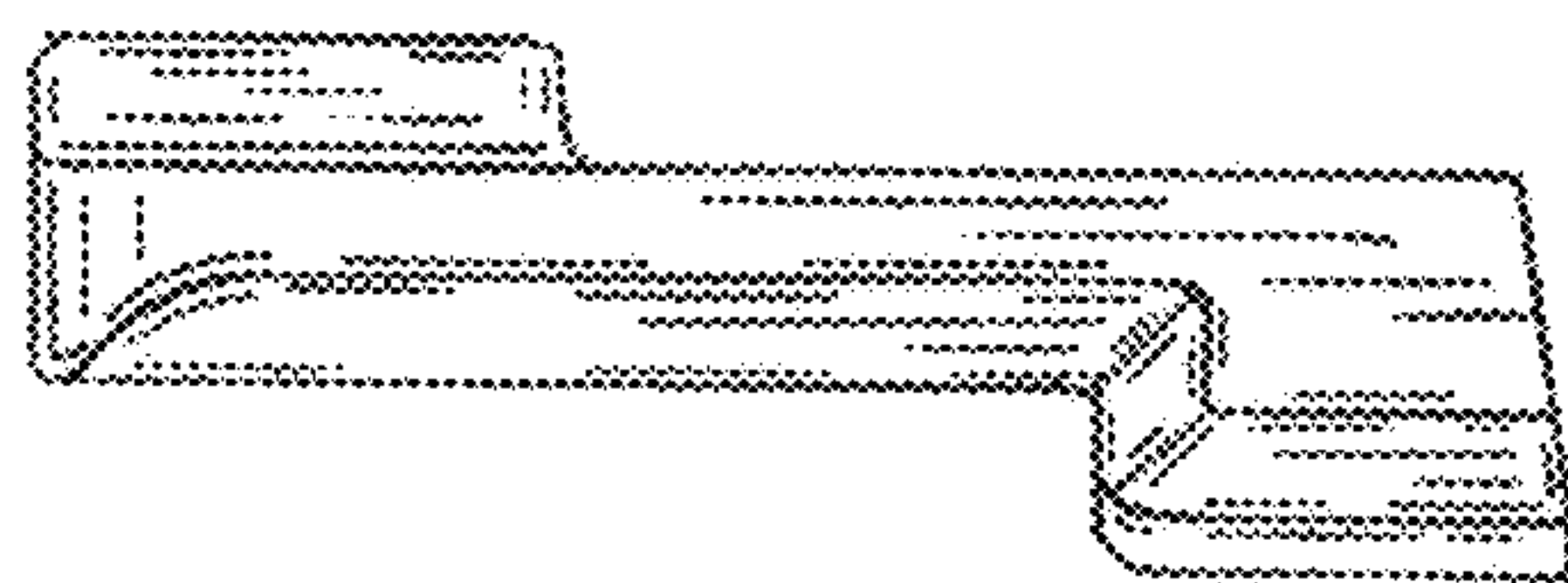


FIG. 6

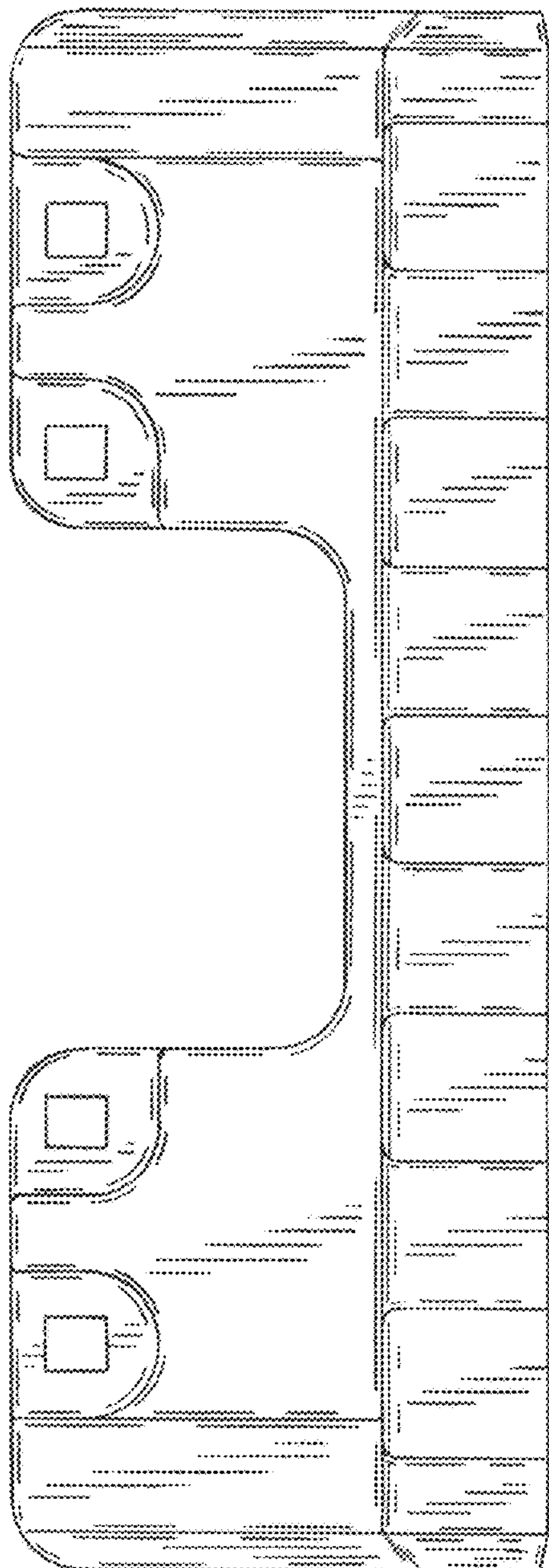


FIG. 4

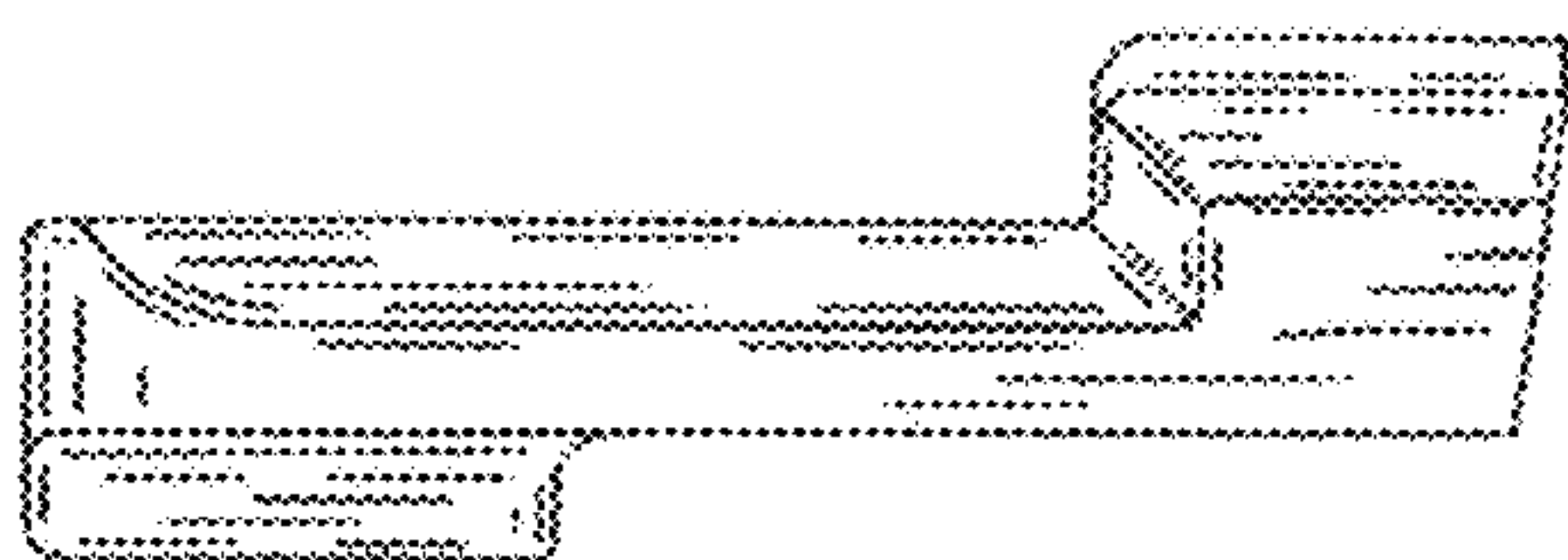


FIG. 5

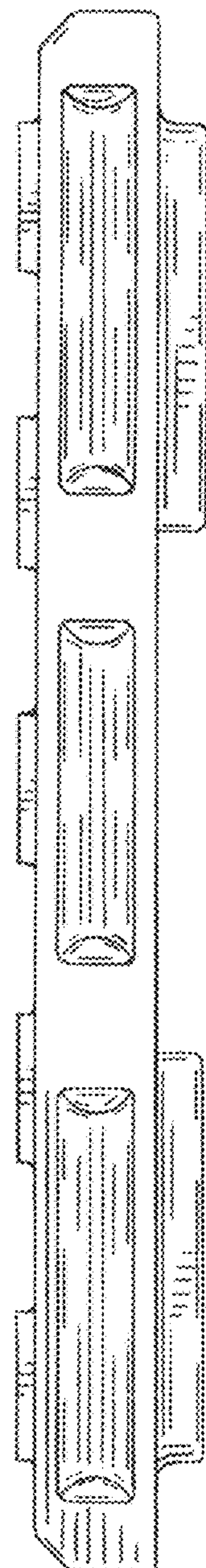


FIG. 8

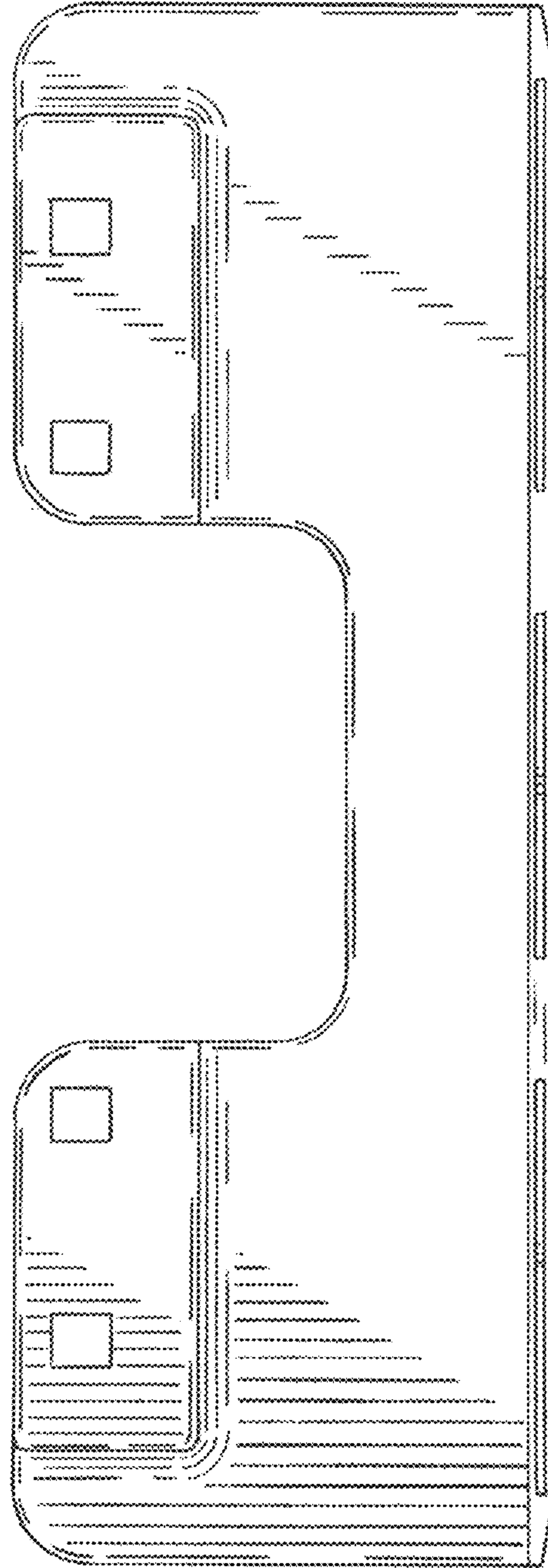


FIG. 9