



US00D879155S

(12) **United States Design Patent**  
**Liu**

(10) **Patent No.:** **US D879,155 S**  
(45) **Date of Patent:** **\*\* Mar. 24, 2020**

(54) **HIGH PRESSURE ELECTRIC AIR PUMP**

(71) Applicant: **Tao Liu**, Guangdong (CN)

(72) Inventor: **Tao Liu**, Guangdong (CN)

(\*\*) Term: **15 Years**

(21) Appl. No.: **29/709,421**

(22) Filed: **Oct. 14, 2019**

(51) **LOC (12) Cl.** ..... **15-02**

(52) **U.S. Cl.**  
USPC ..... **D15/7**

(58) **Field of Classification Search**  
USPC ..... D15/7-9; D23/231, 232, 235  
CPC ..... F02M 37/04; F02M 37/14; F04B 1/005;  
F04B 43/06; F04D 13/06; F04D 29/22;  
F04D 29/046; F04D 29/2266  
See application file for complete search history.

(56) **References Cited**

**U.S. PATENT DOCUMENTS**

D374,075 S *	9/1996	Lee	.....	D15/7
D374,237 S *	10/1996	Wang	.....	D15/7
D384,081 S *	9/1997	Wang	.....	D15/7
D395,051 S *	6/1998	Bonzer	.....	D15/9
D395,318 S *	6/1998	Wang	.....	D15/8
D398,011 S *	9/1998	Wang	.....	D15/9
D409,627 S *	5/1999	Wang	.....	D15/9
D426,243 S *	6/2000	Wang	.....	D15/8
D426,554 S *	6/2000	Wang	.....	D15/8
D428,422 S *	7/2000	Wang	.....	D15/8
D428,896 S *	8/2000	Wang	.....	D15/8
D455,155 S *	4/2002	Wang	.....	D15/8
6,428,288 B1 *	8/2002	King	..... F04D 25/082	
			415/176	
D471,209 S *	3/2003	Wang	.....	D15/9
D479,248 S *	9/2003	Gist	.....	D15/9
D498,243 S *	11/2004	Chou	.....	D15/7
D498,767 S *	11/2004	Chou	.....	D15/7

D498,769 S *	11/2004	Chou	.....	D15/9
D499,426 S *	12/2004	Chou	.....	D15/7
D582,945 S *	12/2008	Chou	.....	D15/9
D589,533 S *	3/2009	Anderson	.....	D15/8
D598,472 S *	8/2009	Anderson	.....	D15/7
D635,587 S *	4/2011	Schleef	.....	D15/7
D648,353 S *	11/2011	Mattson	.....	D15/7
D654,095 S *	2/2012	Mattson	.....	D15/7
D672,368 S *	12/2012	Wong	.....	D15/9
D678,351 S *	3/2013	Wong	.....	D15/9
D693,849 S *	11/2013	Sofussen	.....	D15/7
D699,264 S *	2/2014	Sofussen	.....	D15/7
D700,915 S *	3/2014	Damhuis	.....	D15/7

(Continued)

*Primary Examiner* — Mitchell I. Siegel

(74) *Attorney, Agent, or Firm* — Jie Yang; ZANIP

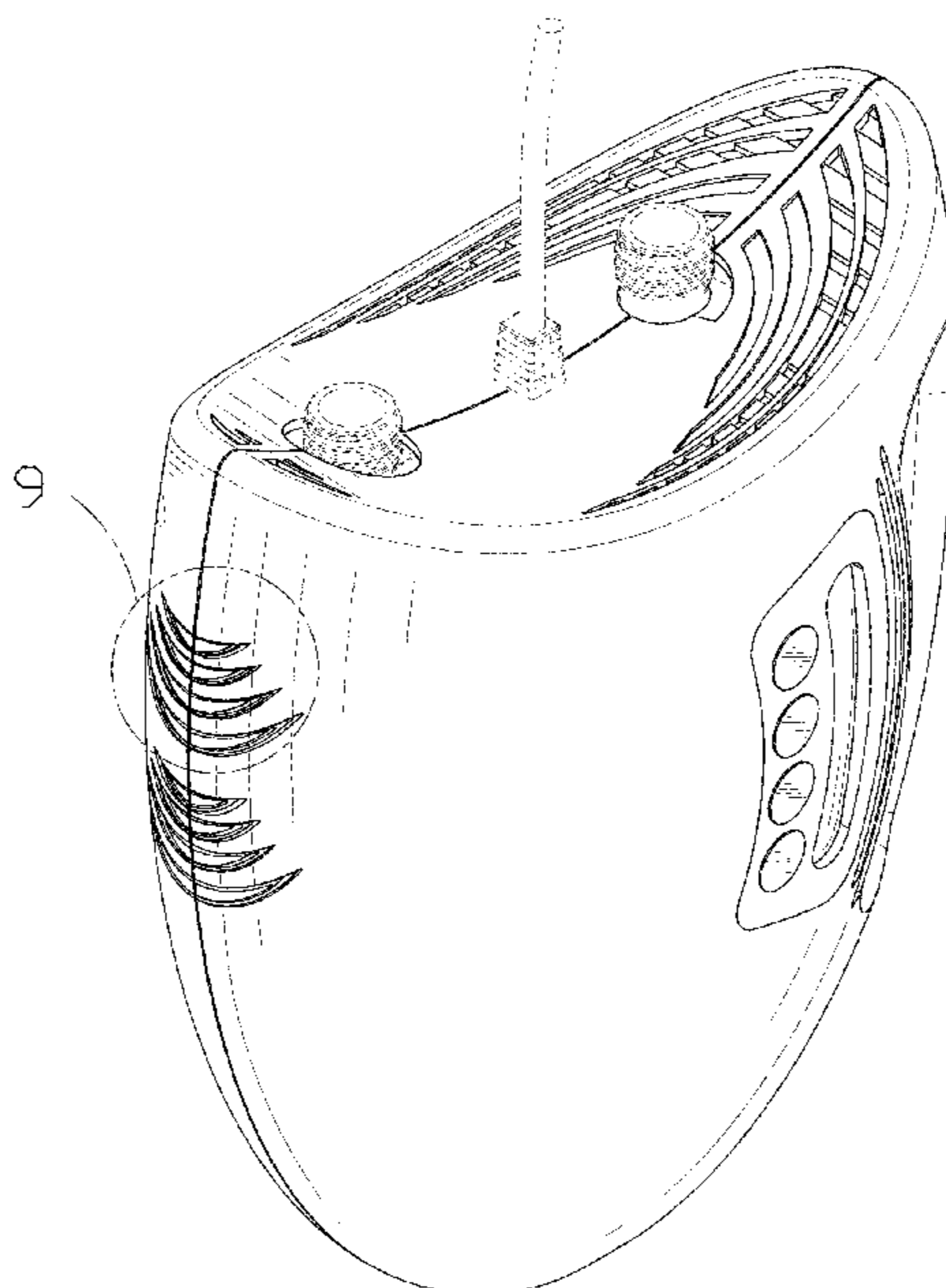
(57) **CLAIM**

The ornamental design for a high pressure electric air pump, as shown and described.

**DESCRIPTION**

FIG. 1 is a front and top perspective view of a high pressure electric air pump, showing my new design;  
 FIG. 2 is a rear and bottom perspective view thereof;  
 FIG. 3 is a front elevational view thereof;  
 FIG. 4 is a rear elevational view thereof;  
 FIG. 5 is a left side elevational view thereof;  
 FIG. 6 is a right side elevational view thereof;  
 FIG. 7 is a top plan view thereof;  
 FIG. 8 is a bottom plan view thereof;  
 FIG. 9 is an enlarged view of a portion indicated in FIG. 1;  
 FIG. 10 is an enlarged view of a portion indicated in FIG. 7;  
 and,  
 FIG. 11 is an enlarged view of a portion indicated in FIG. 7.  
 The broken lines in the figures illustrate portions of the high pressure electric air pump that form no part of the claimed design.

**1 Claim, 11 Drawing Sheets**



(56)

**References Cited**

U.S. PATENT DOCUMENTS

D701,536 S *	3/2014	Shakal .....	D15/7
D723,588 S *	3/2015	Wang .....	D15/9
D727,972 S *	4/2015	Jhou .....	D15/9
D734,367 S *	7/2015	Jhou .....	D15/9
D737,864 S *	9/2015	Jhou .....	D15/9
D832,889 S *	11/2018	Zheng .....	D15/7
D838,747 S *	1/2019	Gan .....	D15/7
D839,924 S *	2/2019	Tuang .....	D15/9
D851,685 S *	6/2019	Gan .....	D15/7
D868,840 S *	12/2019	Si .....	D15/7

\* cited by examiner

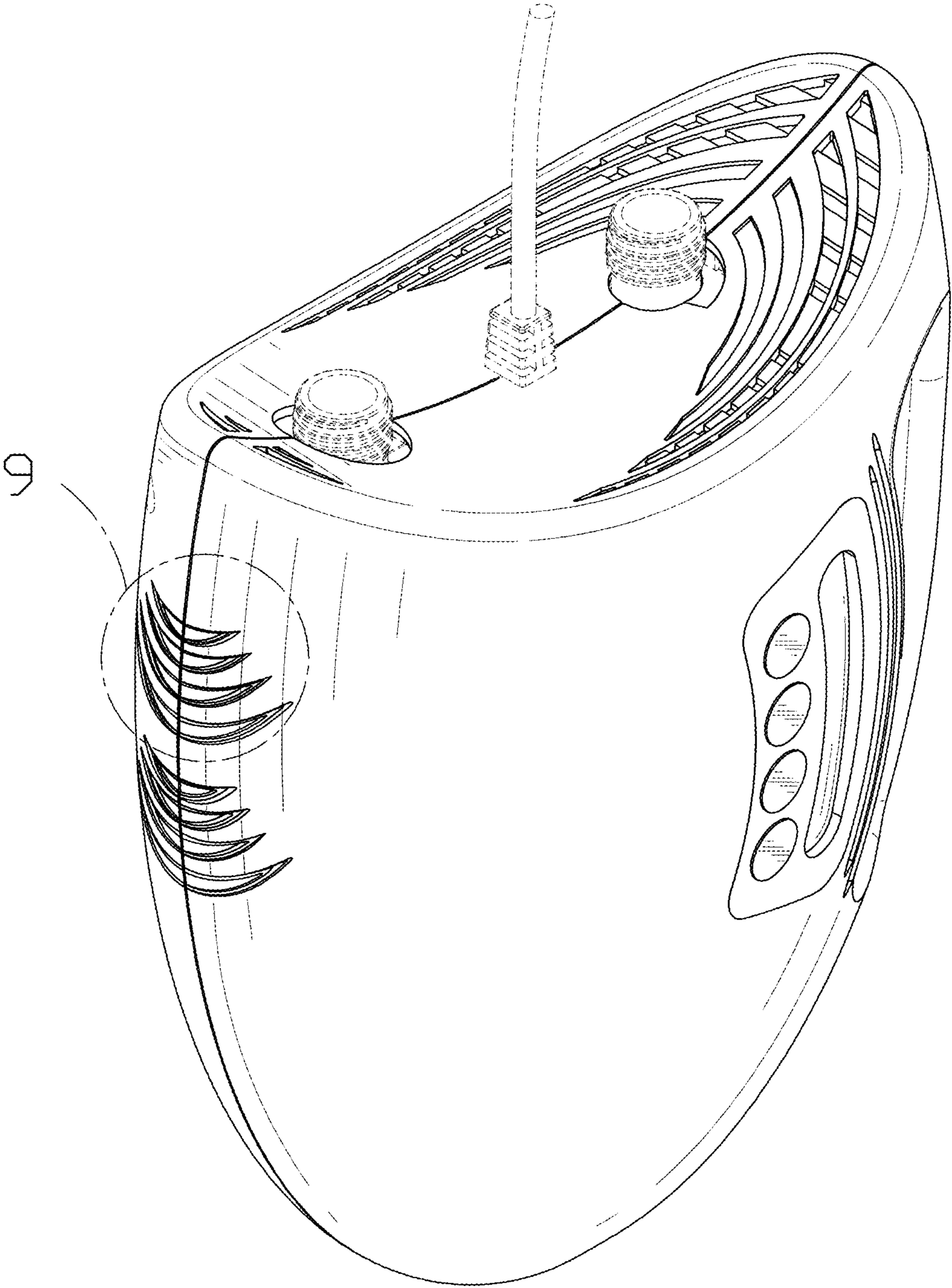


FIG. 1

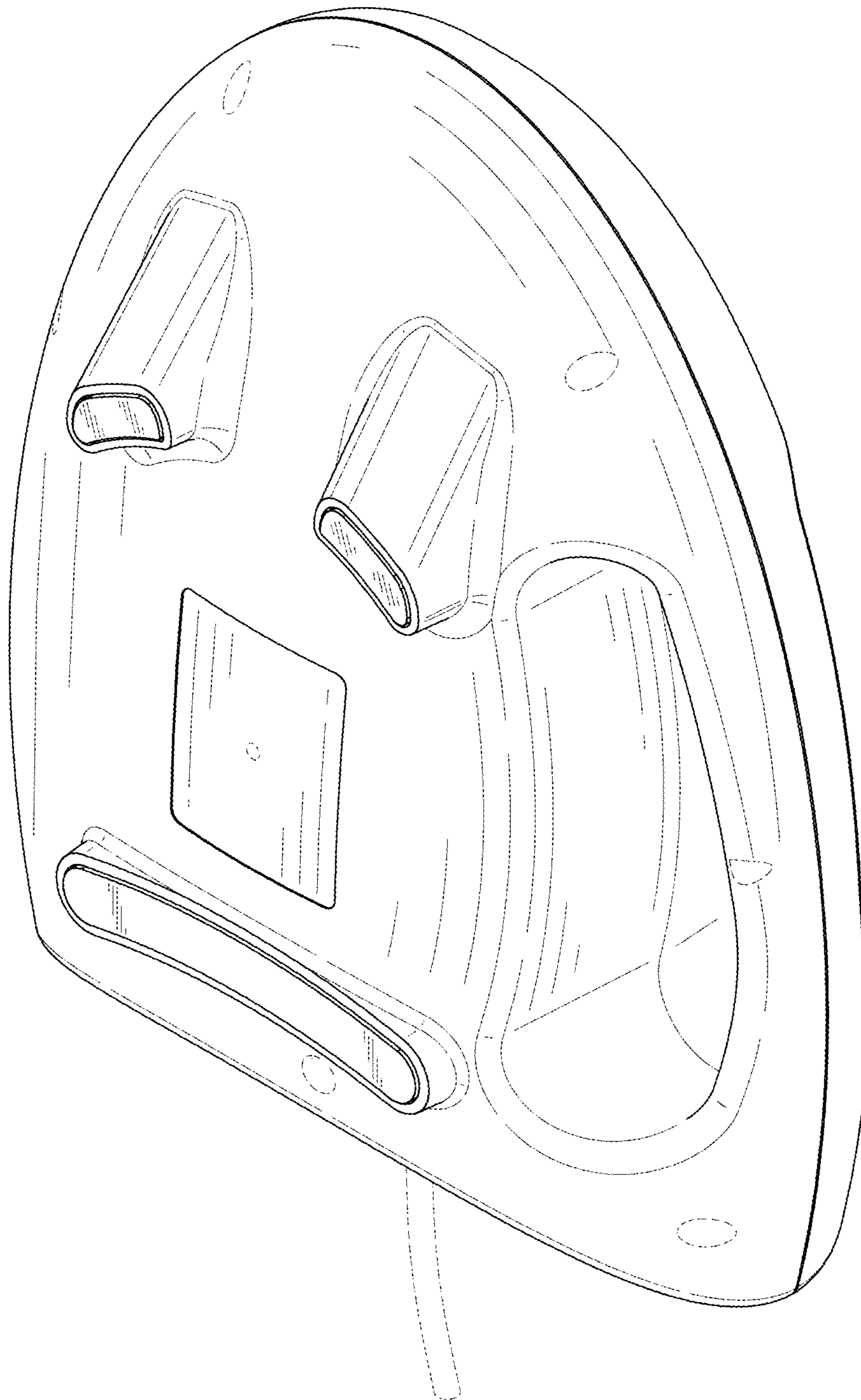


FIG. 2



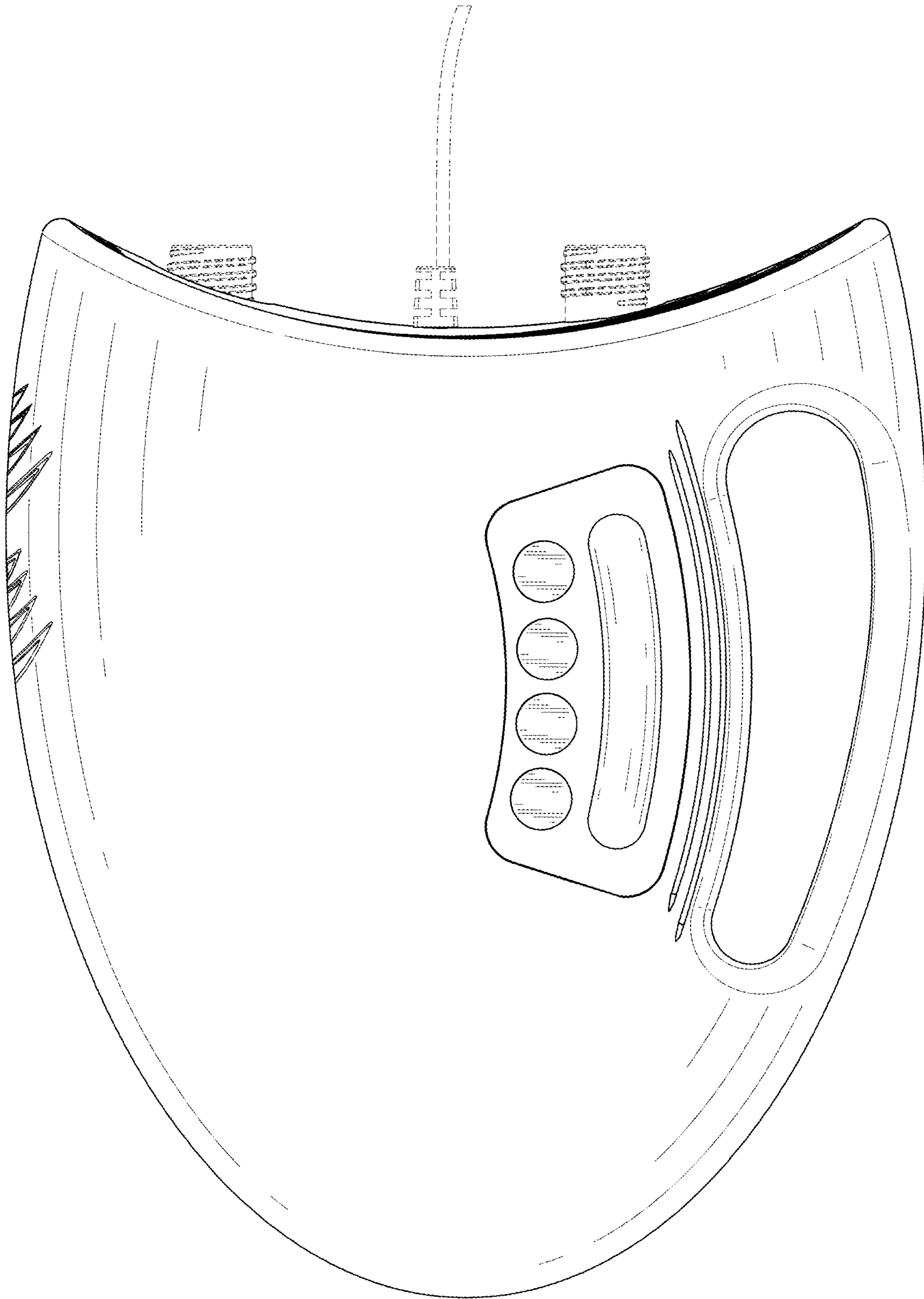


FIG. 3

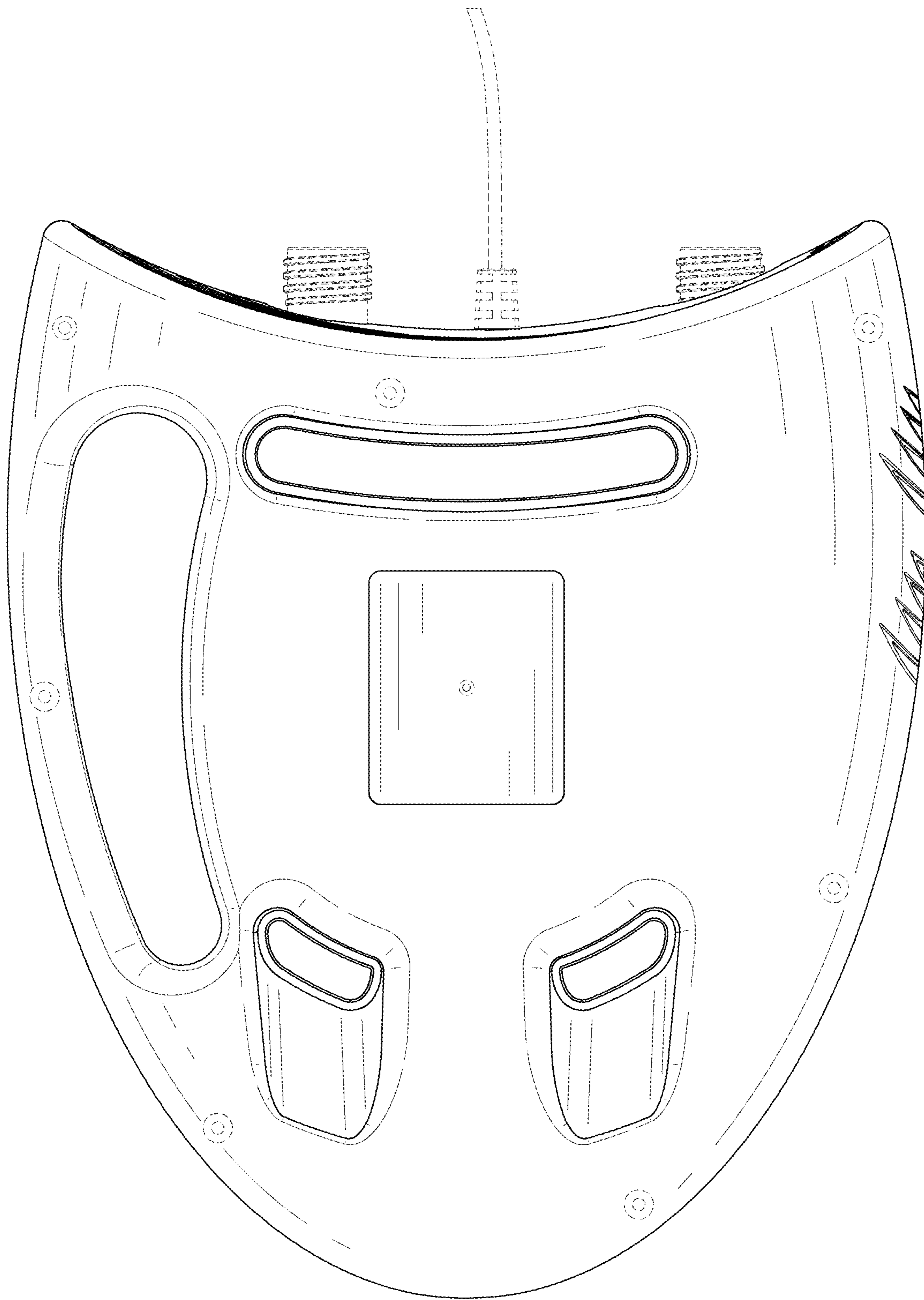


FIG. 4

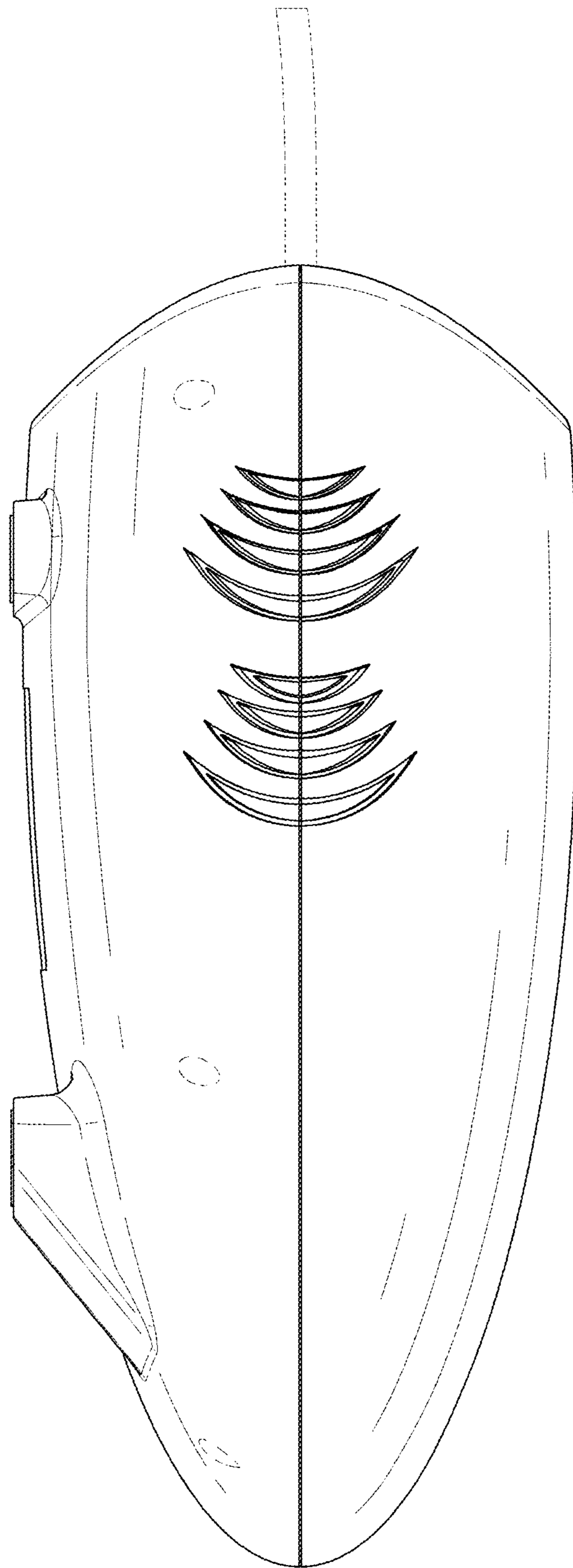


FIG. 5

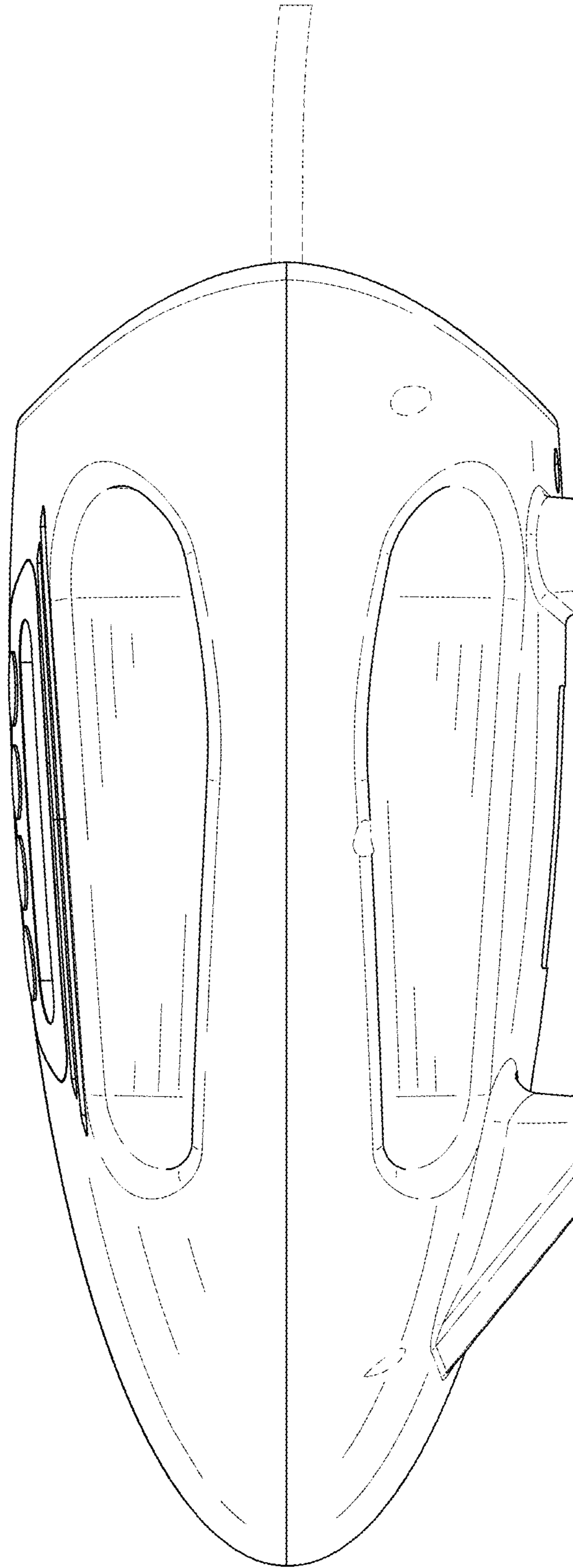


FIG. 6



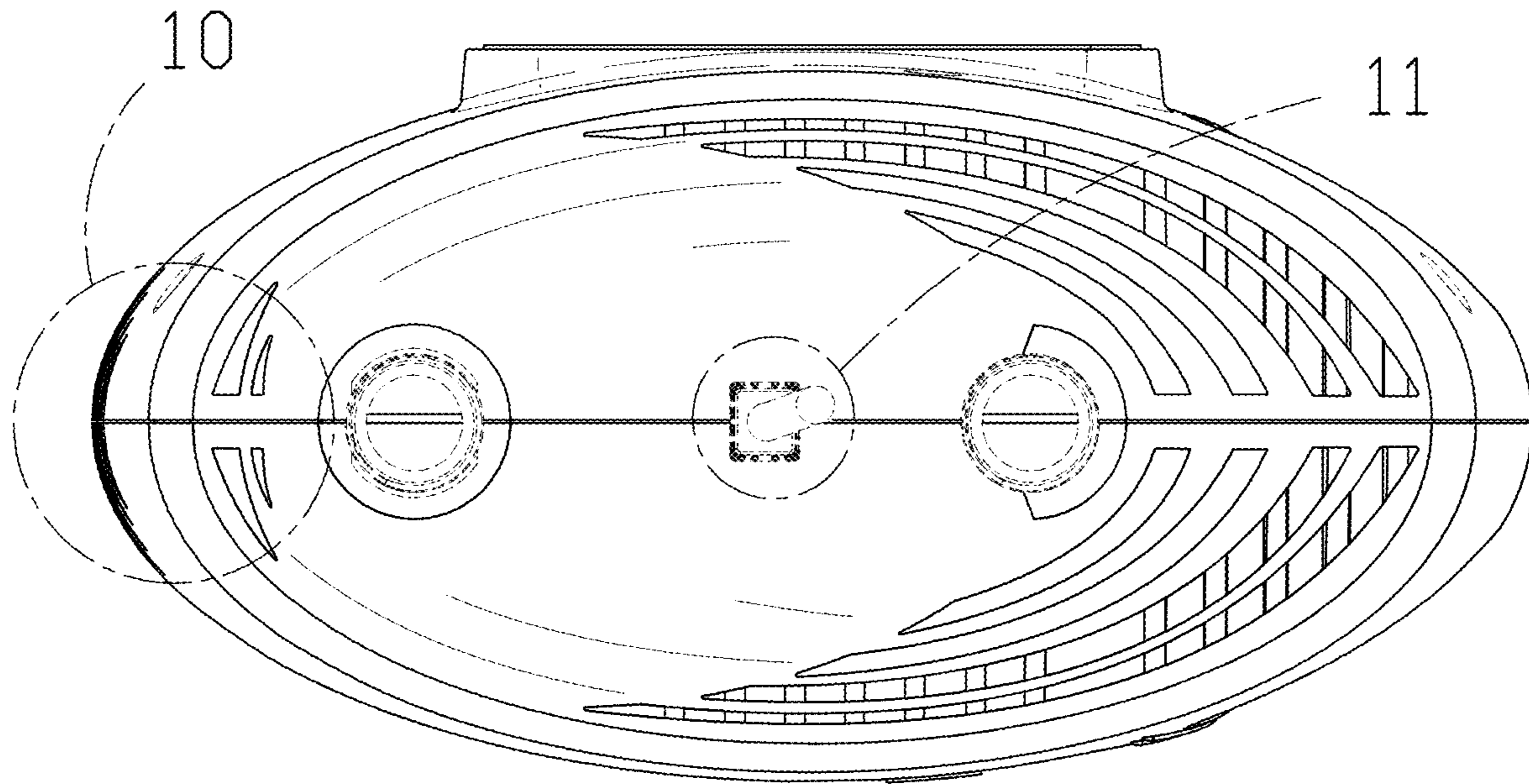


FIG. 7

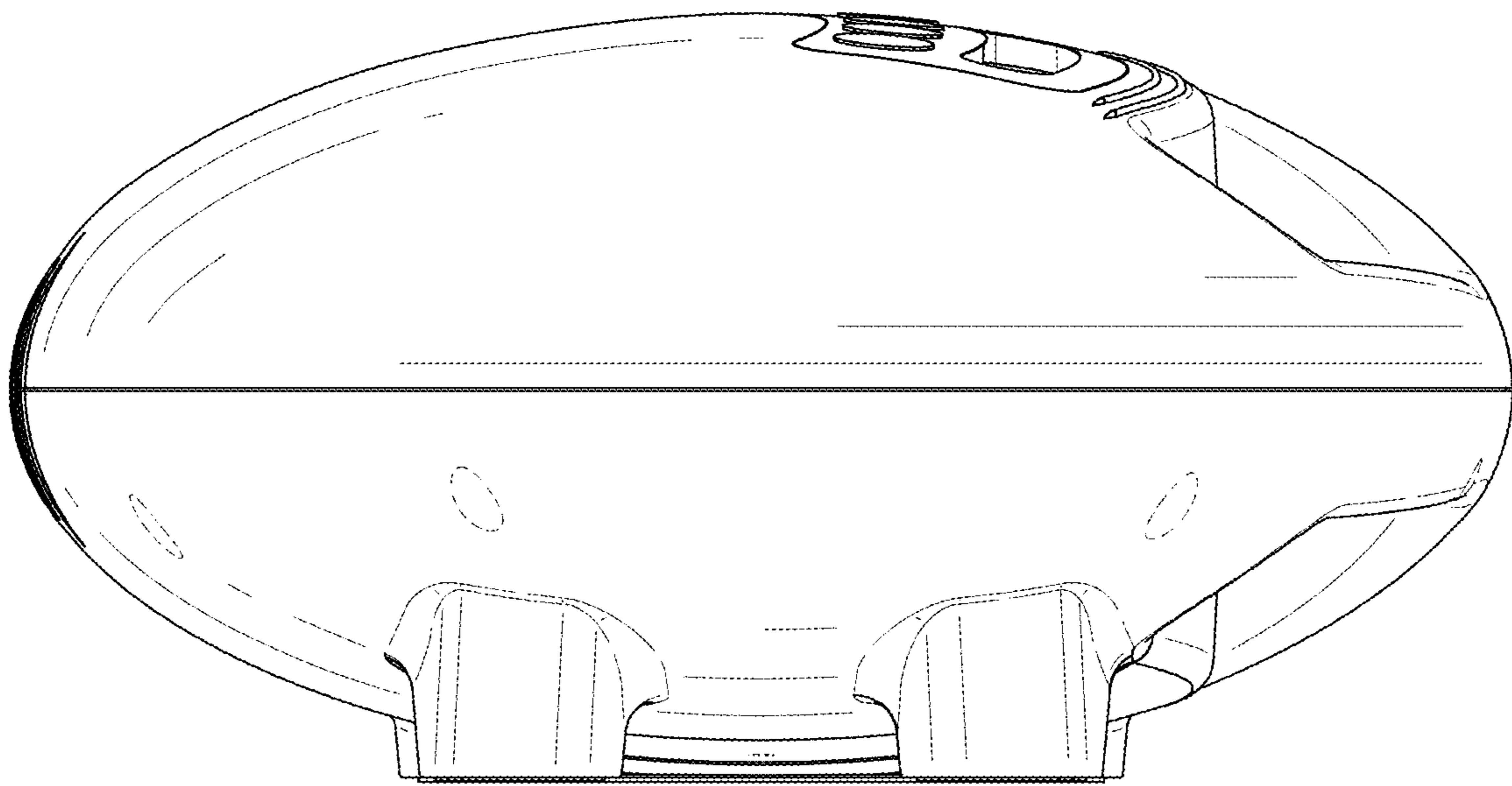


FIG. 8

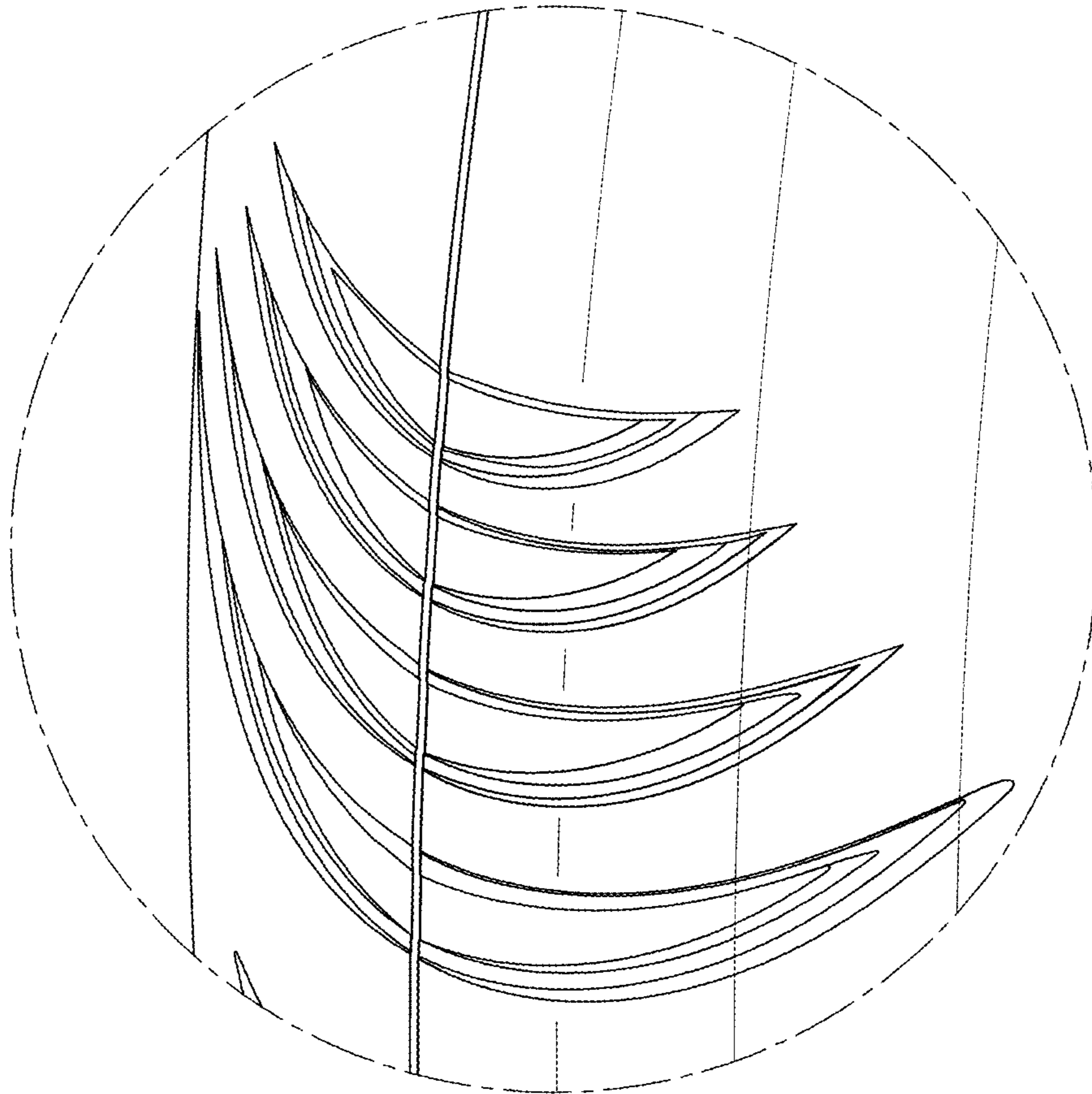


FIG. 9

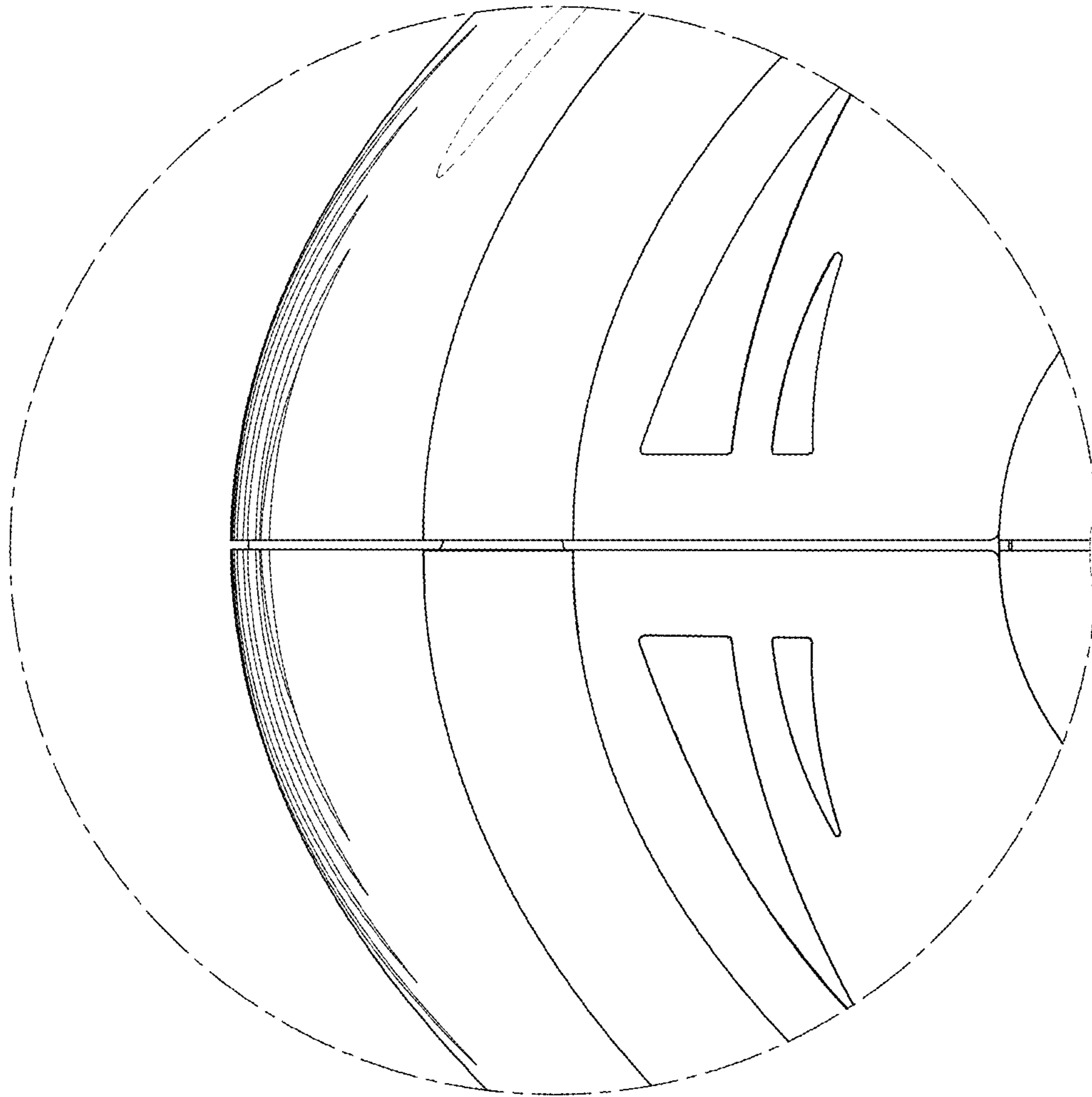


FIG. 10



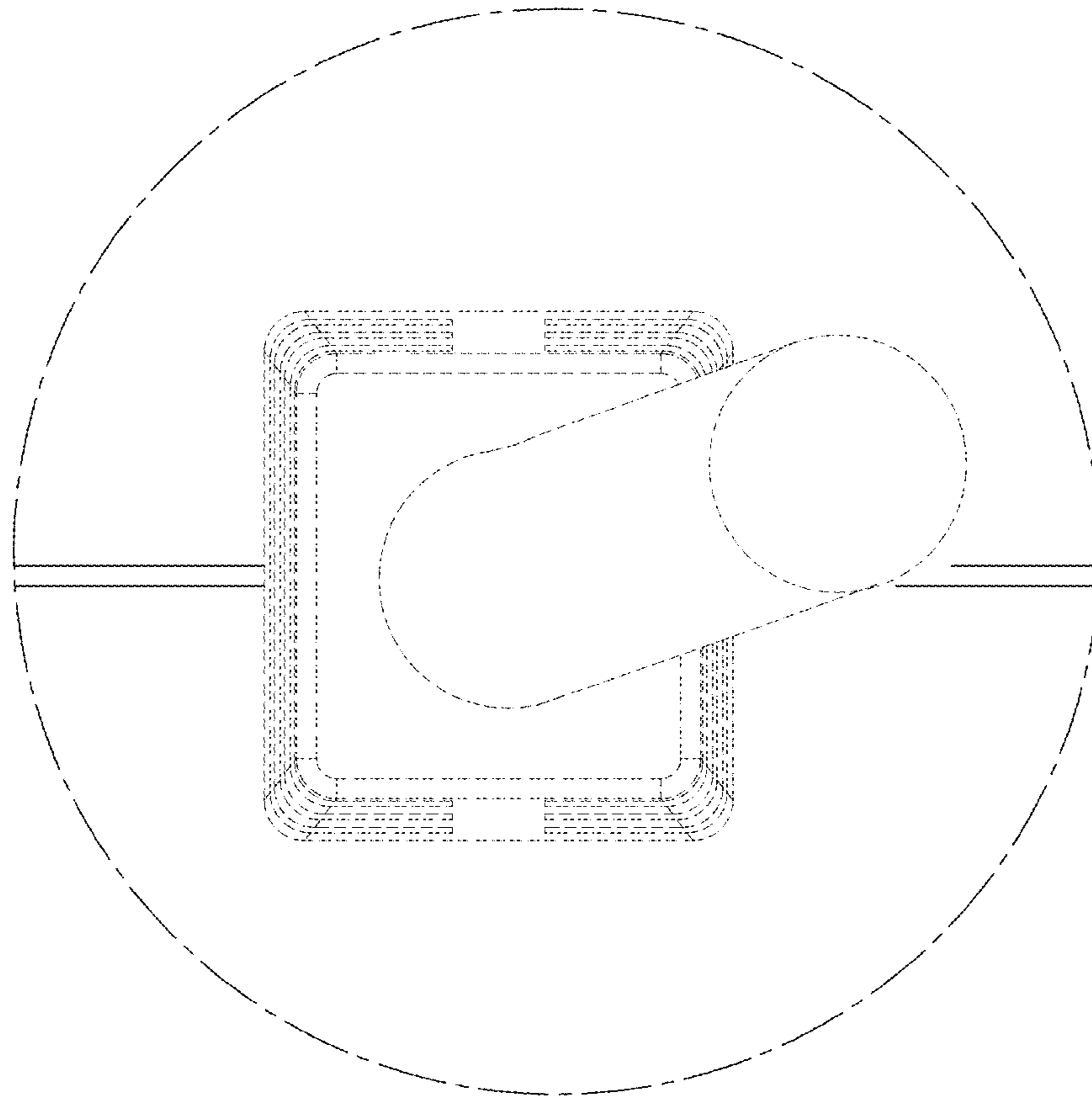


FIG. 11