



US00D879153S

(12) **United States Design Patent**  
**Koshin et al.**

(10) **Patent No.:** **US D879,153 S**  
(45) **Date of Patent:** **\*\* Mar. 24, 2020**

(54) **EXHAUST HEAT RECOVERY APPARATUS FOR AUTOMOBILES**

(71) Applicant: **Sango Co., Ltd.**, Miyoshi-shi (JP)

(72) Inventors: **Keiichi Koshin**, Miyoshi (JP); **Yuuichi Kaitou**, Miyoshi (JP); **Kouji Ichikawa**, Miyoshi (JP); **Masahiro Shirai**, Miyoshi (JP); **Kazunari Matsuura**, Miyoshi (JP); **Daichi Higuma**, Miyoshi (JP)

(73) Assignee: **Sango Co., Ltd.**, Miyoshi-shi (JP)

(\*\*) Term: **15 Years**

(21) Appl. No.: **29/658,638**

(22) Filed: **Aug. 1, 2018**

(30) **Foreign Application Priority Data**

Mar. 14, 2018 (JP) ..... 2018-5287  
Mar. 14, 2018 (JP) ..... 2018-5288

(51) **LOC (12) Cl.** ..... **15-01**

(52) **U.S. Cl.**  
USPC ..... **D15/5**

(58) **Field of Classification Search**  
USPC ..... D15/5; D23/323-324, 328  
CPC ..... F28D 21/0003; F28D 2021/008; F02G 2260/00; F02M 26/28

See application file for complete search history.

(56) **References Cited**

**U.S. PATENT DOCUMENTS**

D702,735 S \* 4/2014 Sandou ..... D15/5  
D717,343 S \* 11/2014 Chino ..... D15/5  
D859,470 S \* 9/2019 Shentu ..... D15/5  
2014/0251579 A1 9/2014 Sloss

(Continued)

**FOREIGN PATENT DOCUMENTS**

JP 2013213424 A 10/2013  
JP 2014194296 A 10/2014

(Continued)

*Primary Examiner* — Michael A. Pratt

(74) *Attorney, Agent, or Firm* — Fitch, Even, Tabin & Flannery LLP

(57) **CLAIM**

We claim the ornamental design for an exhaust heat recovery apparatus for automobiles, as shown and described.

**DESCRIPTION**

FIG. 1 is a perspective view of an exhaust heat recovery apparatus for automobiles, showing a first embodiment of our new design;

FIG. 2 is a front elevational view thereof;

FIG. 3 is a rear elevational view thereof;

FIG. 4 is a left side elevational view thereof;

FIG. 5 is a right side elevational side view thereof;

FIG. 6 is a top plan view thereof;

FIG. 7 is a bottom plan view thereof;

FIG. 8 is a perspective view of an exhaust heat recovery apparatus for automobiles, showing a second embodiment of our new design;

FIG. 9 is an elevational front view thereof;

FIG. 10 is a rear elevational view thereof;

FIG. 11 is a left side elevational view thereof;

FIG. 12 is a right side elevational view thereof;

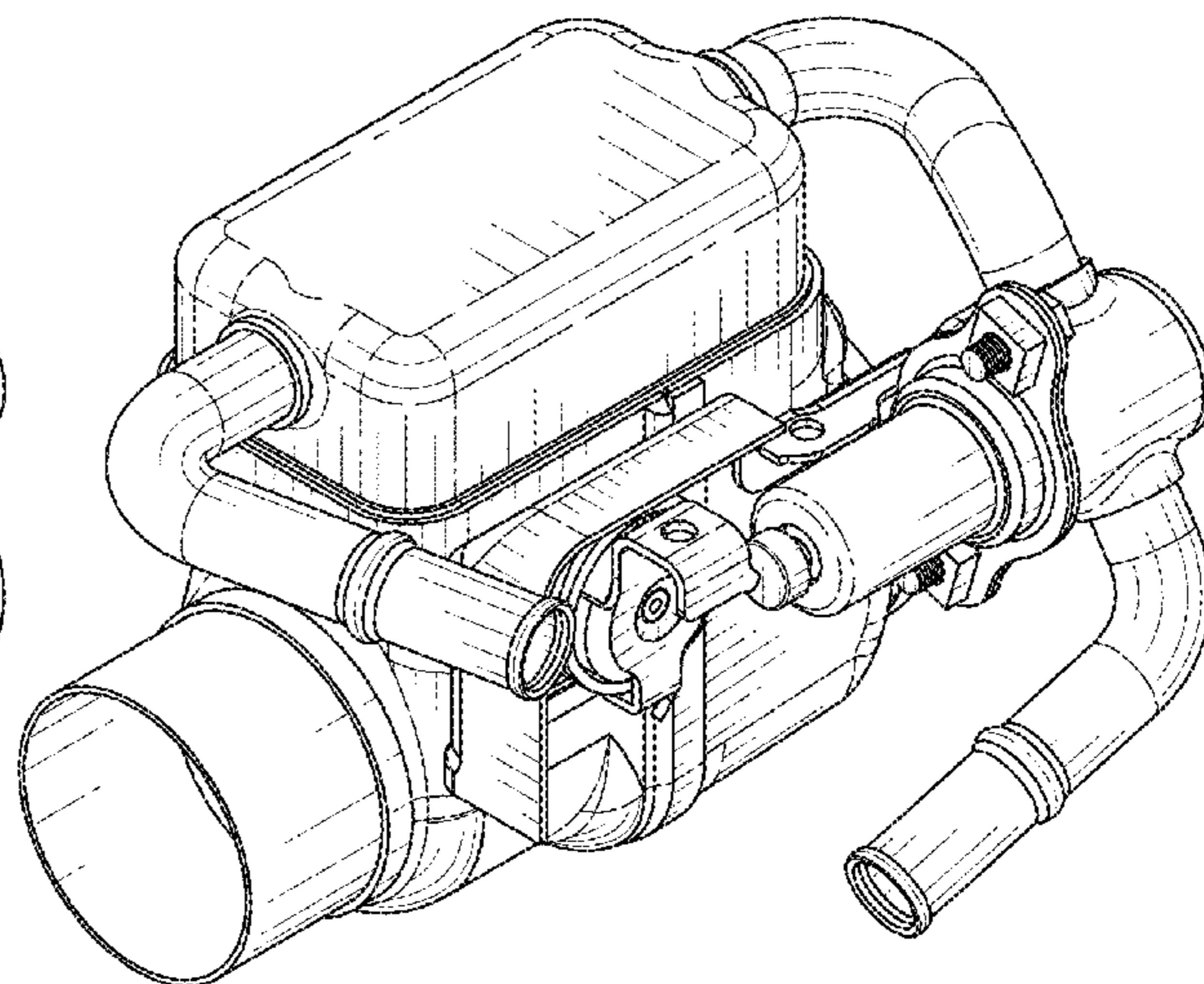
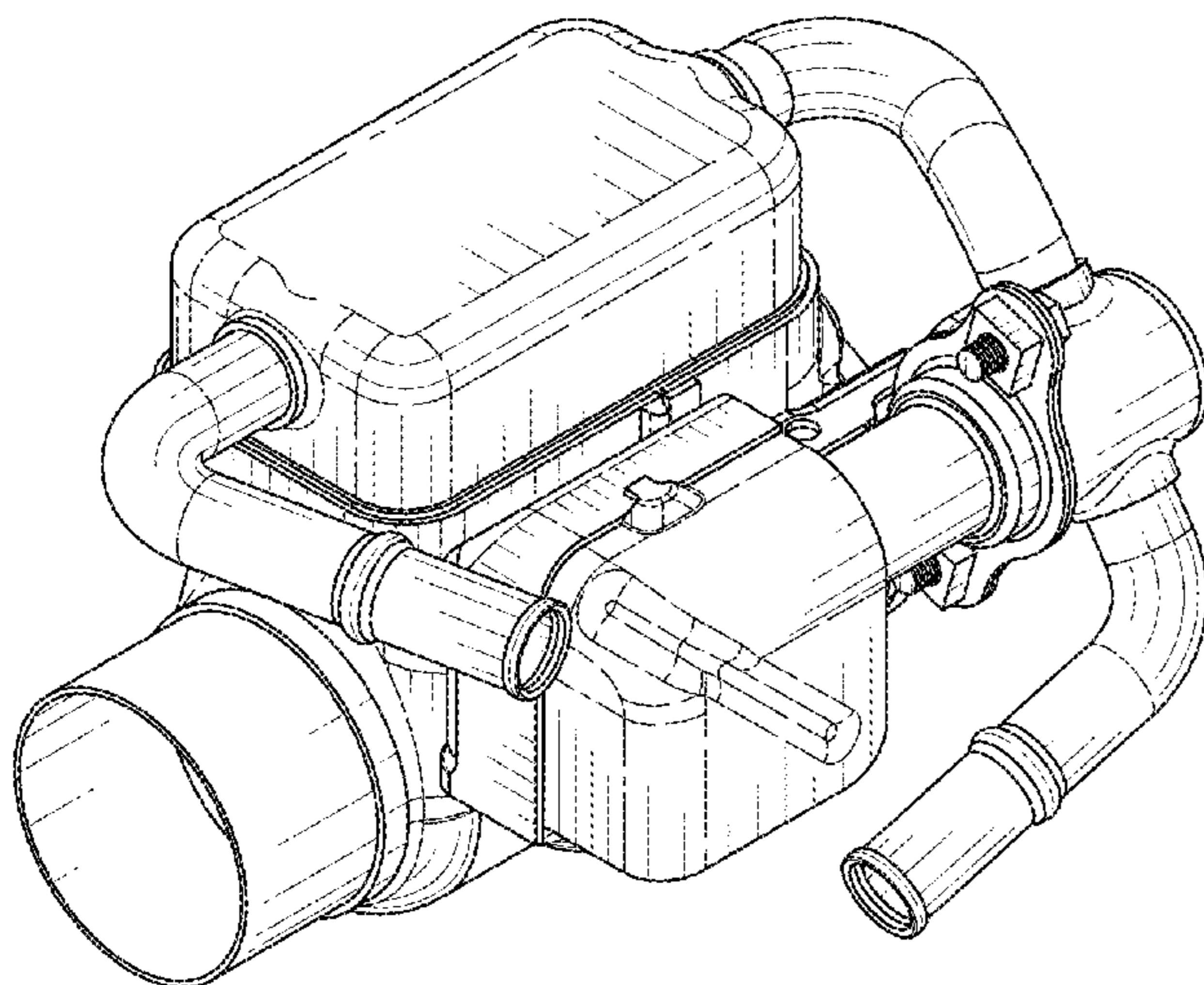
FIG. 13 is a top plan view thereof;

FIG. 14 is a bottom plan view thereof; and,

FIG. 15 is a perspective view of the exhaust heat recovery apparatus for automobiles, showing a use state thereof.

The features shown in broken lines in the drawings depict environmental subject matter only and form no part of the claimed design.

**1 Claim, 15 Drawing Sheets**



(56)

**References Cited**

U.S. PATENT DOCUMENTS

2019/0186434 A1\* 6/2019 Brezowsky ..... F28F 21/08  
2019/0323783 A1\* 10/2019 Ojira ..... F28D 21/0003

FOREIGN PATENT DOCUMENTS

JP 2015025405 A 2/2015  
WO 2016140068 A1 9/2016

\* cited by examiner

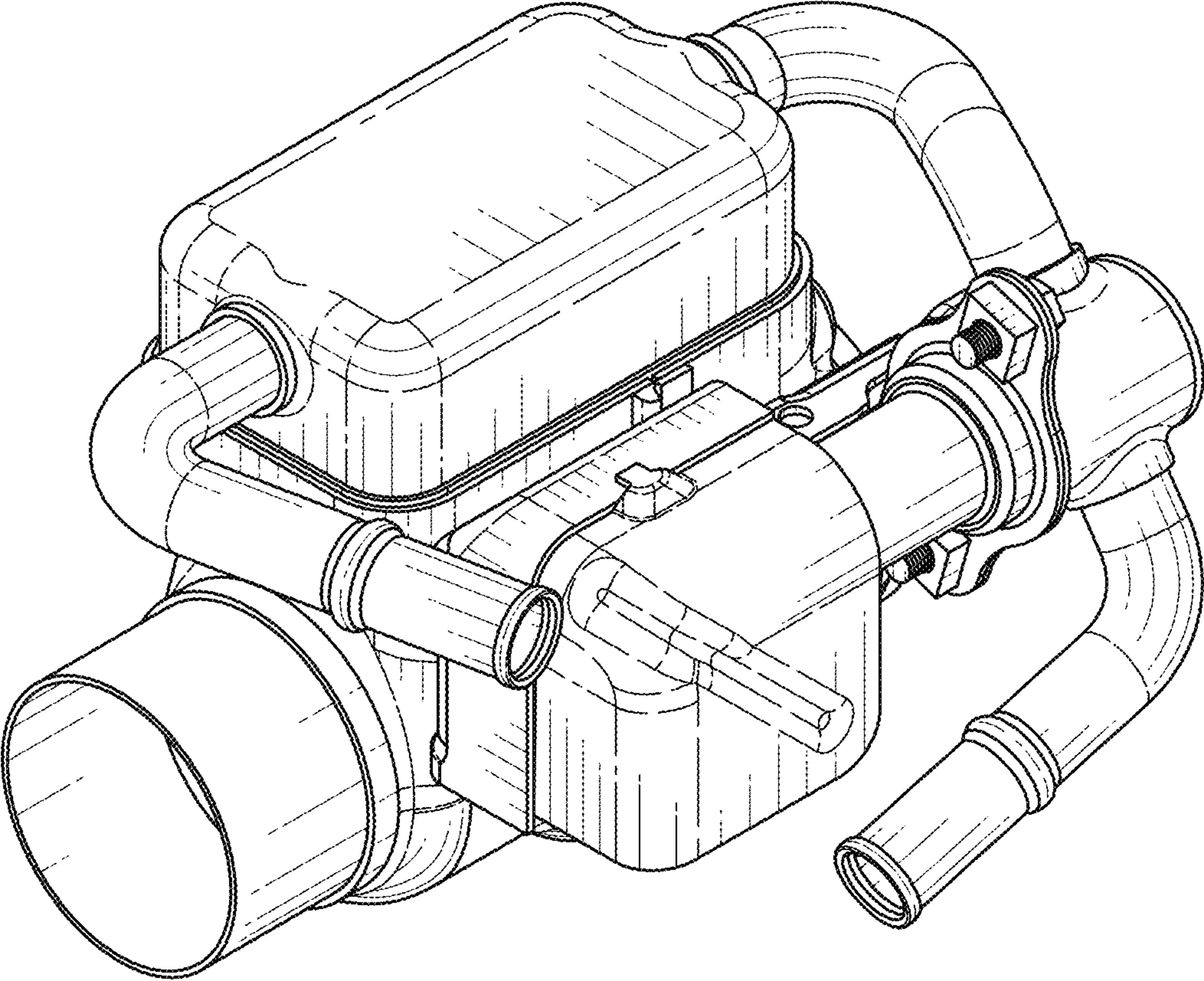


FIG. 1



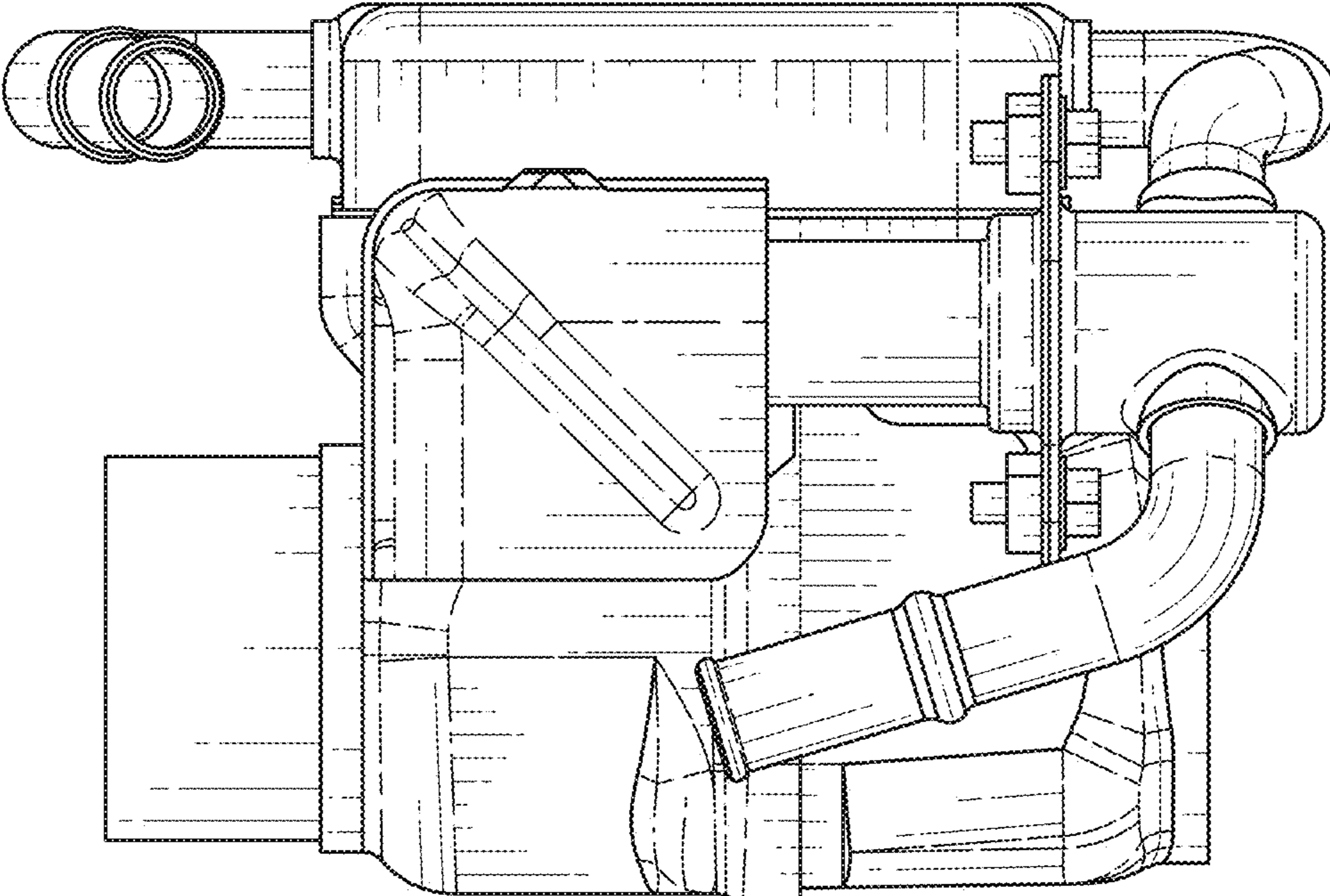


FIG. 2

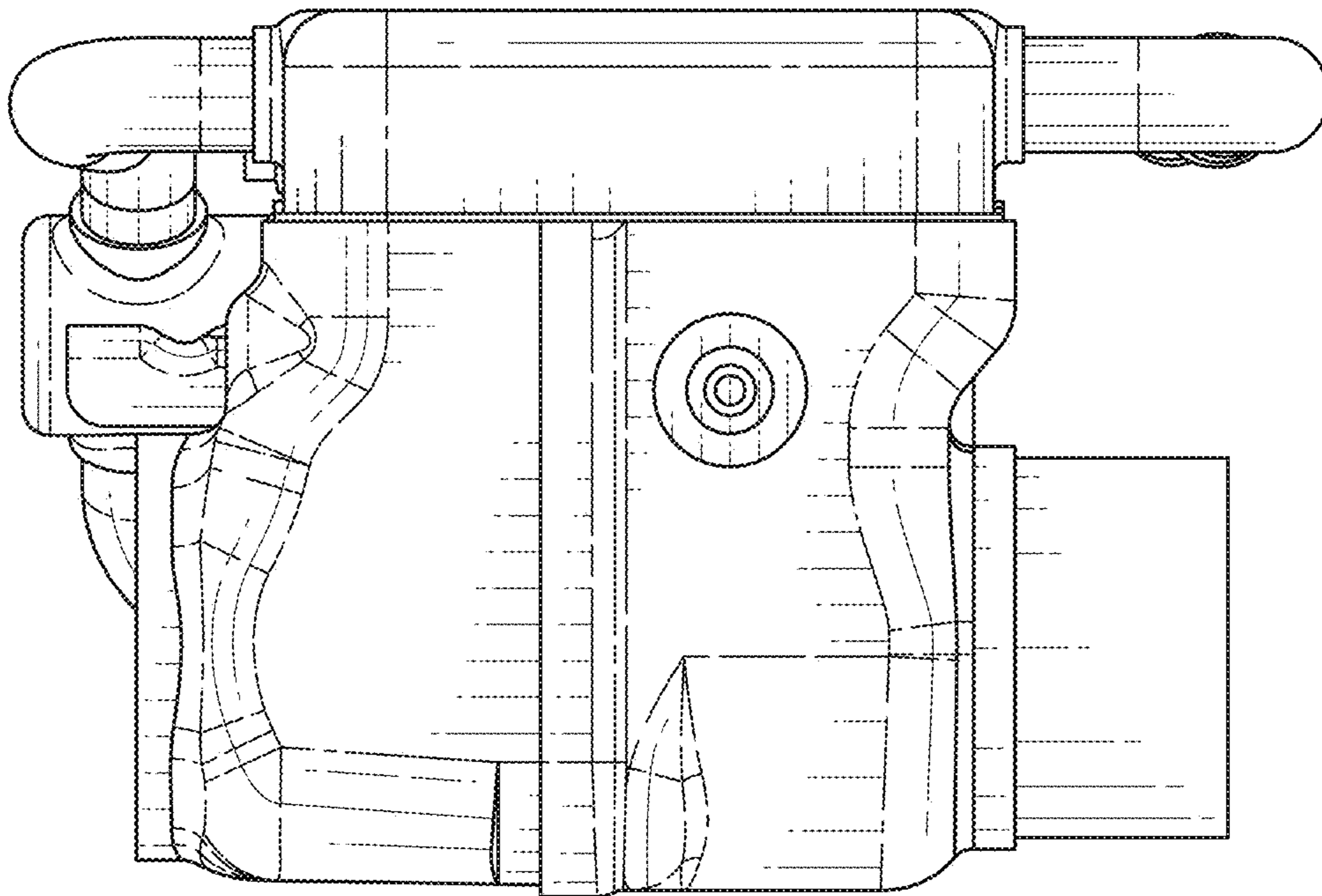


FIG. 3

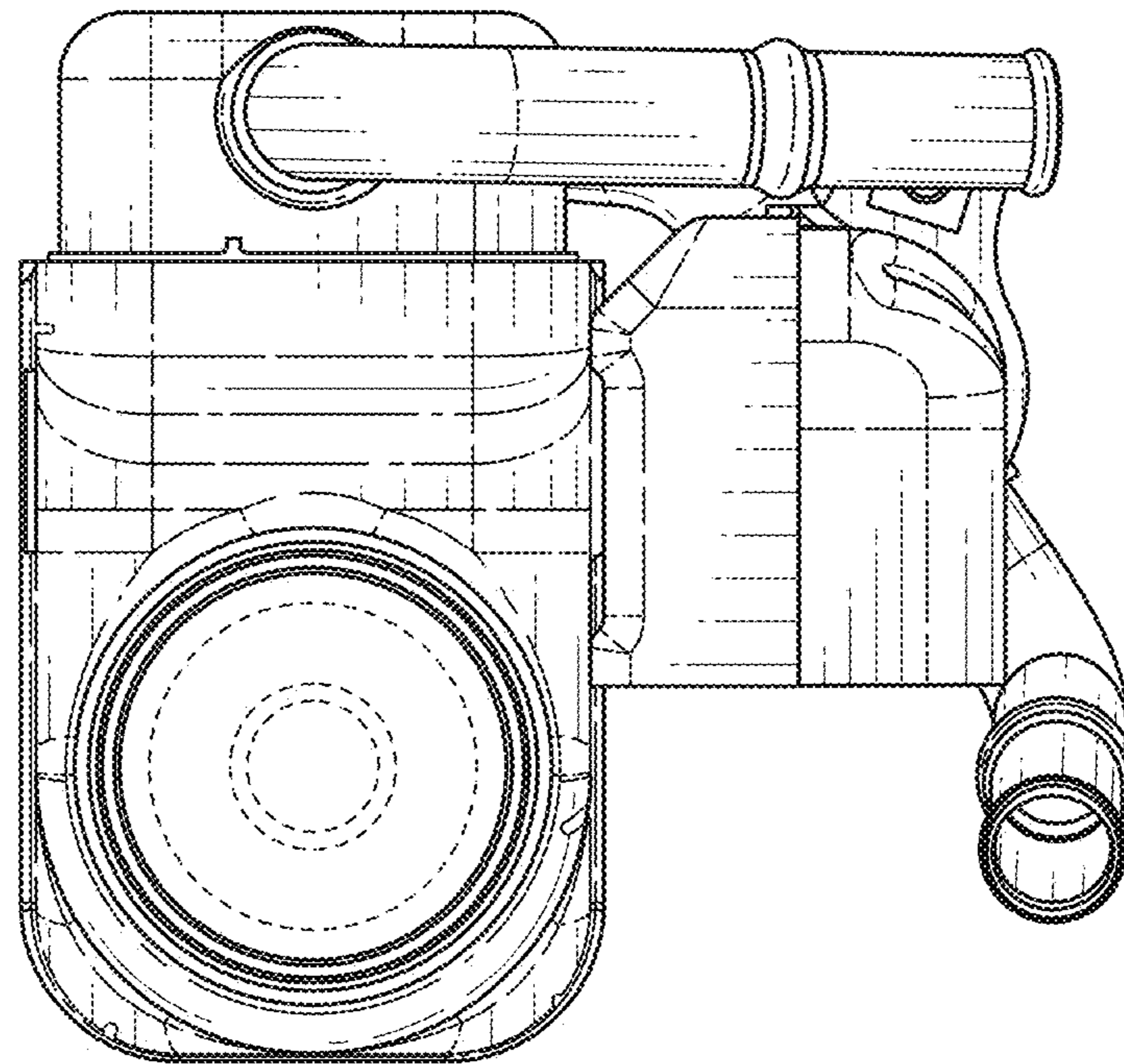


FIG. 4

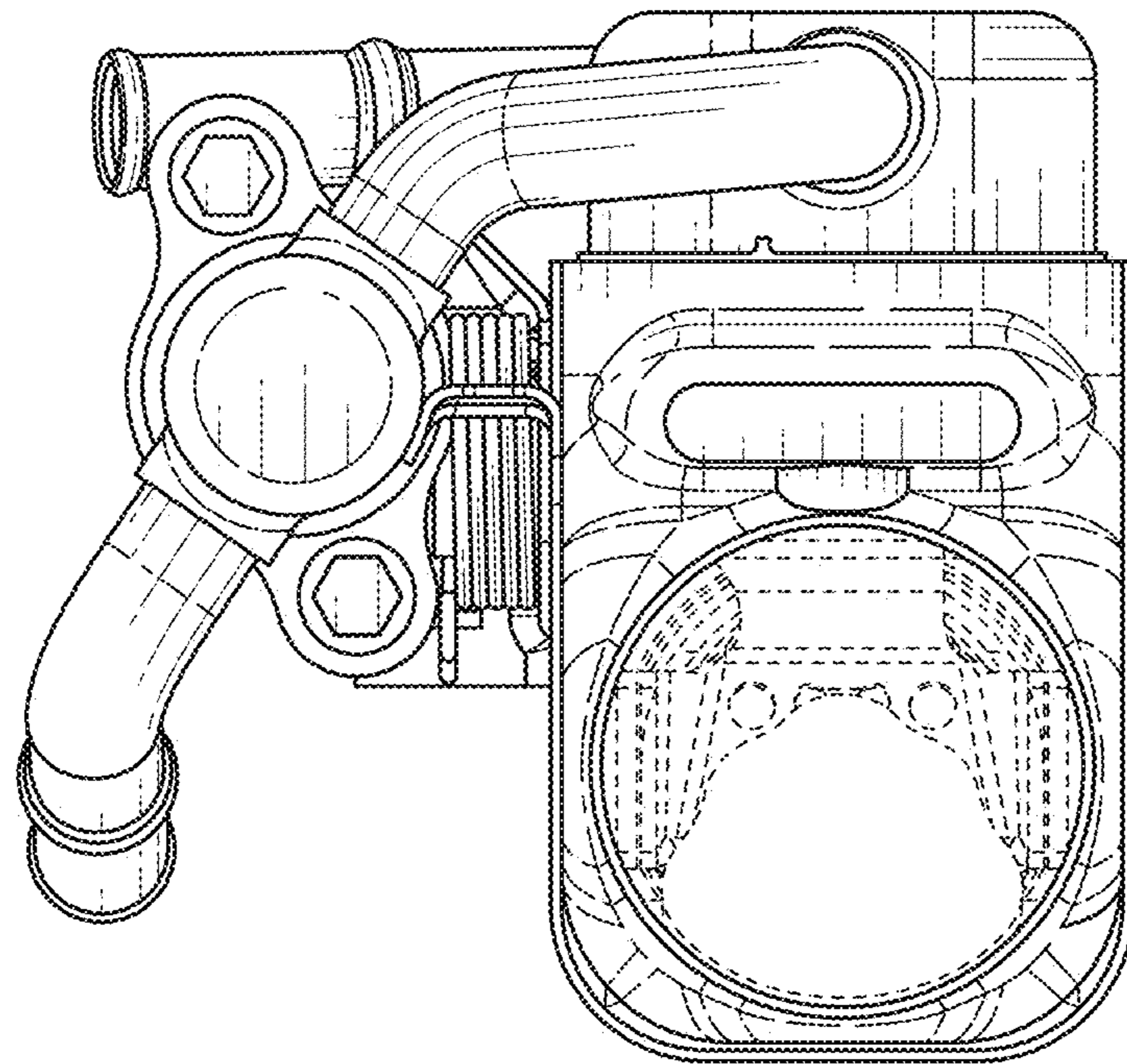


FIG. 5

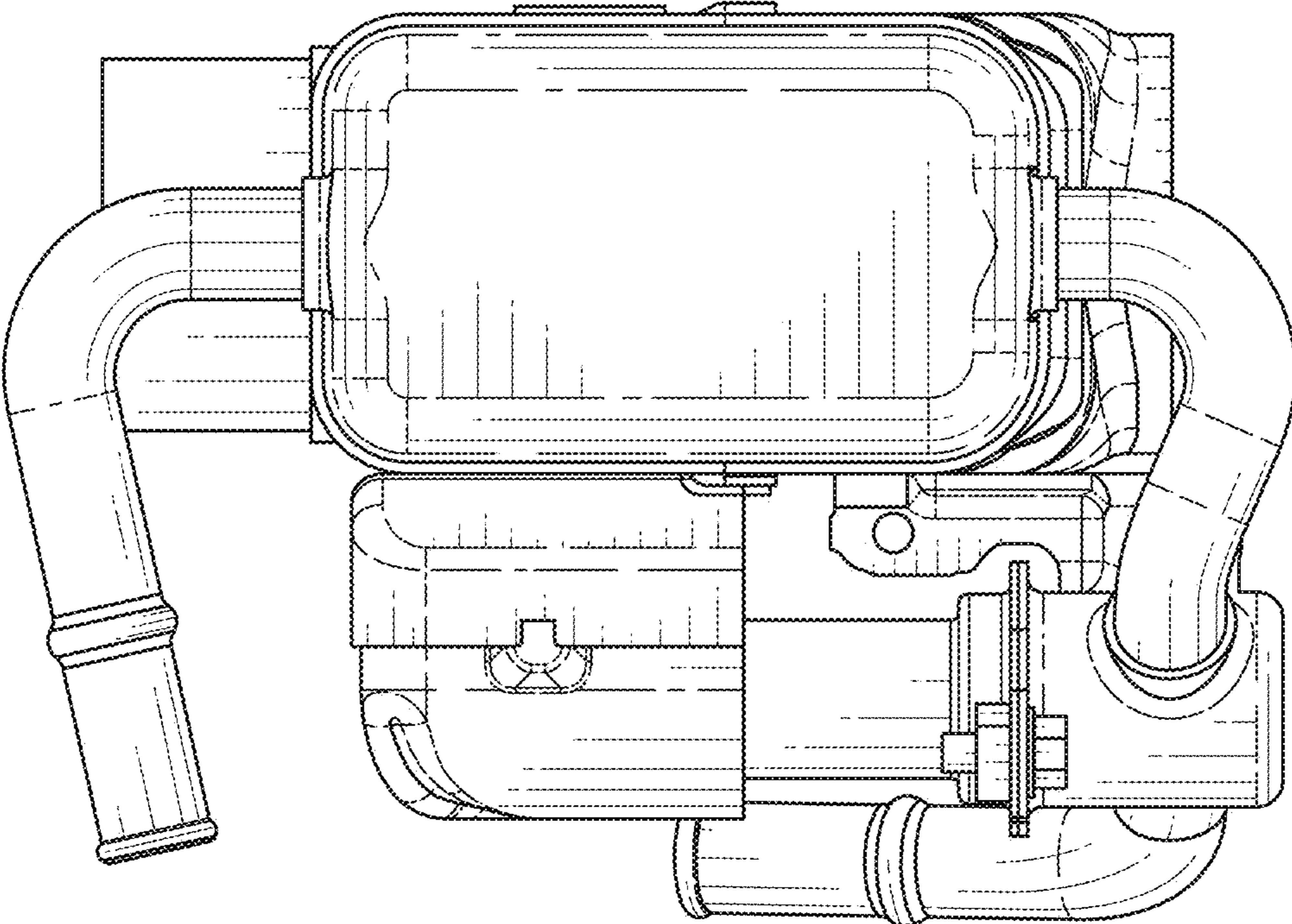


FIG. 6



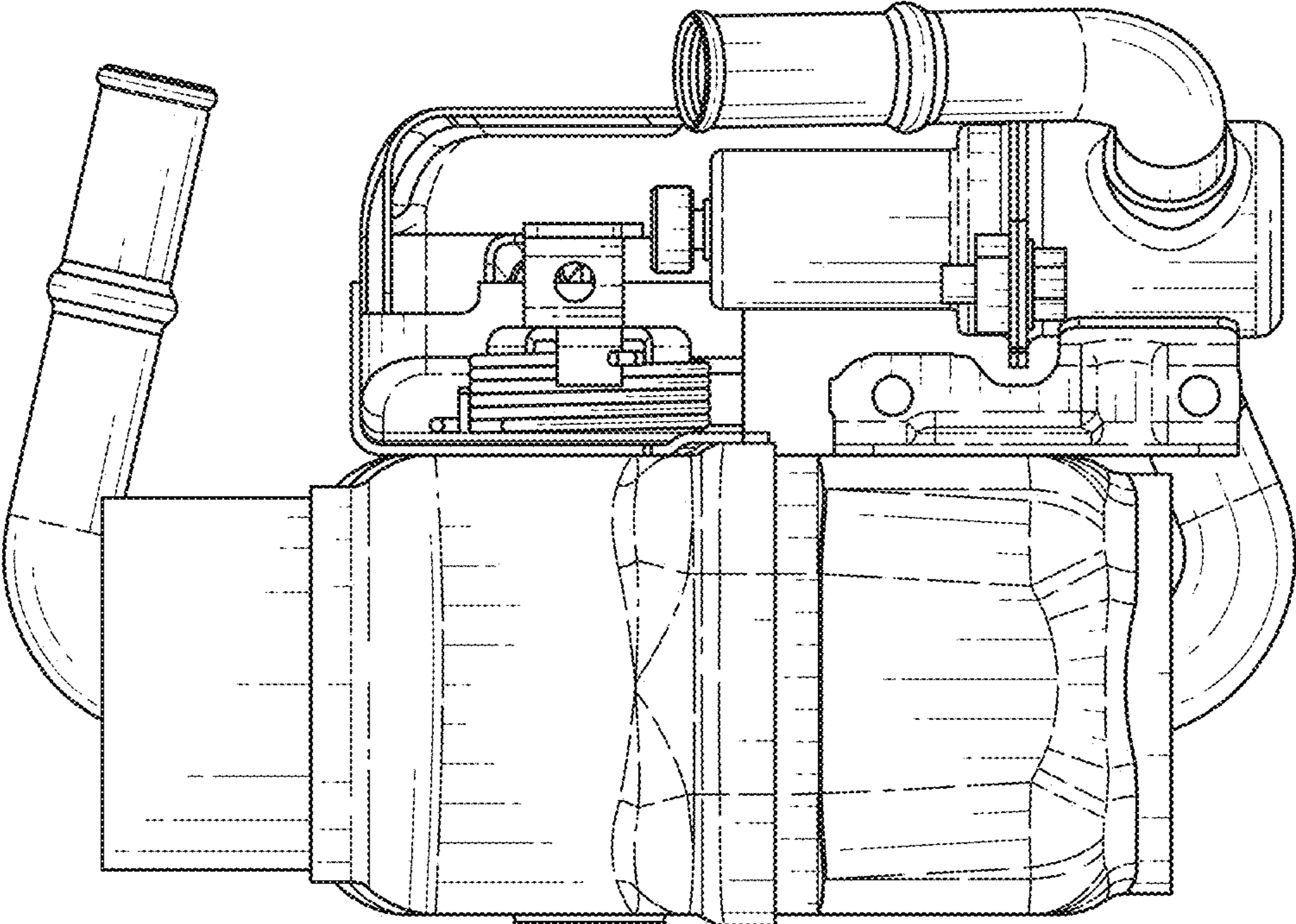


FIG. 7

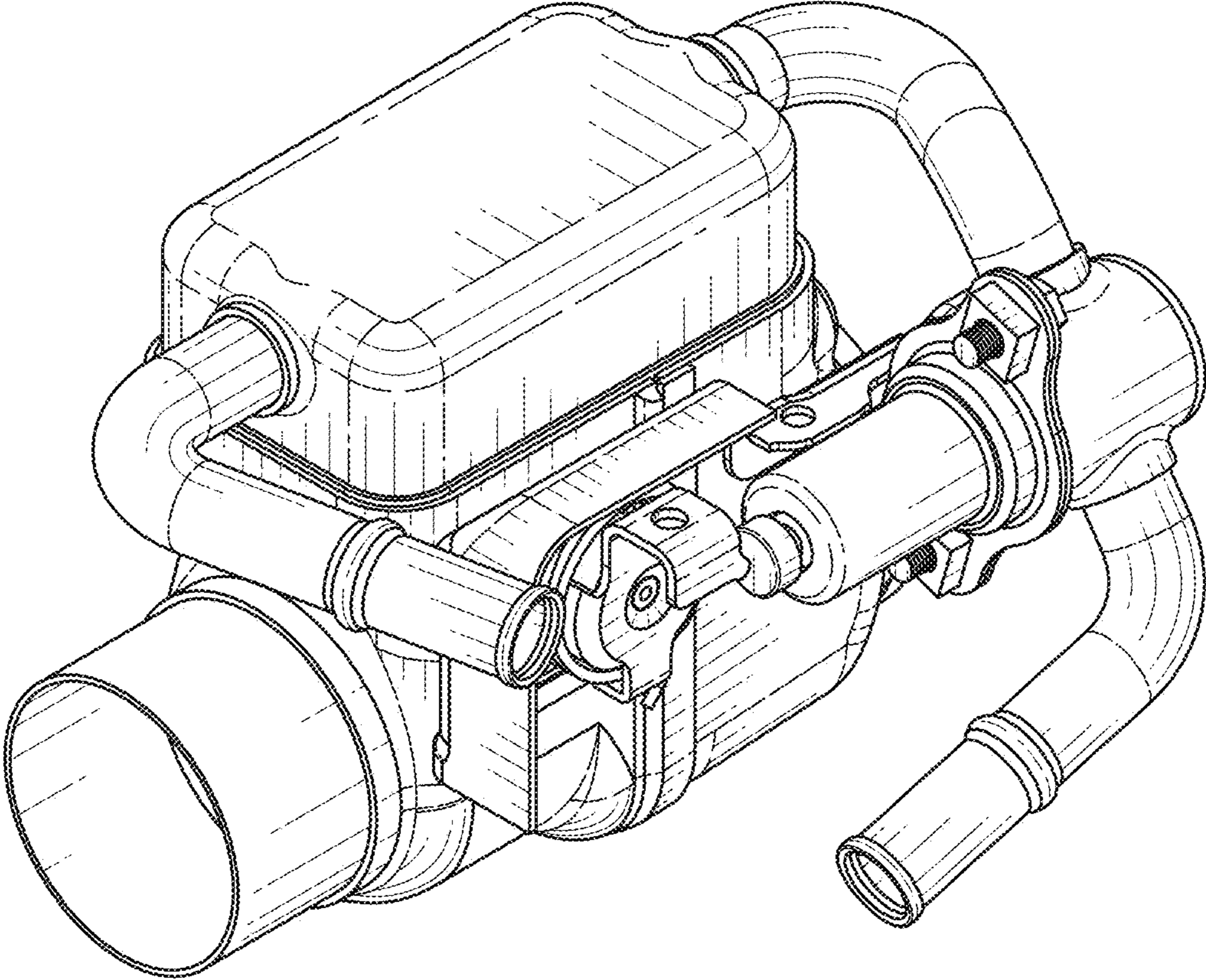


FIG.8

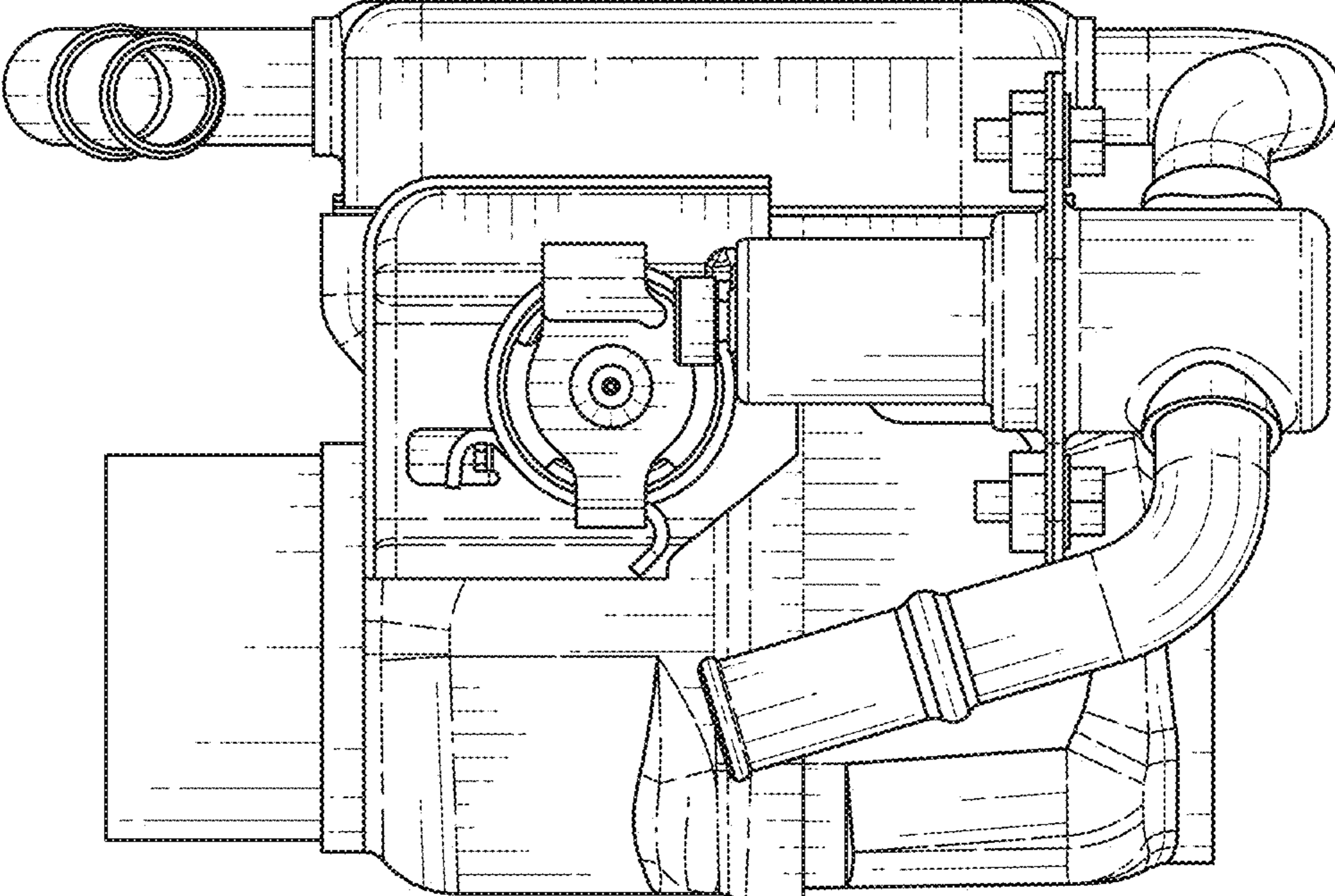


FIG. 9

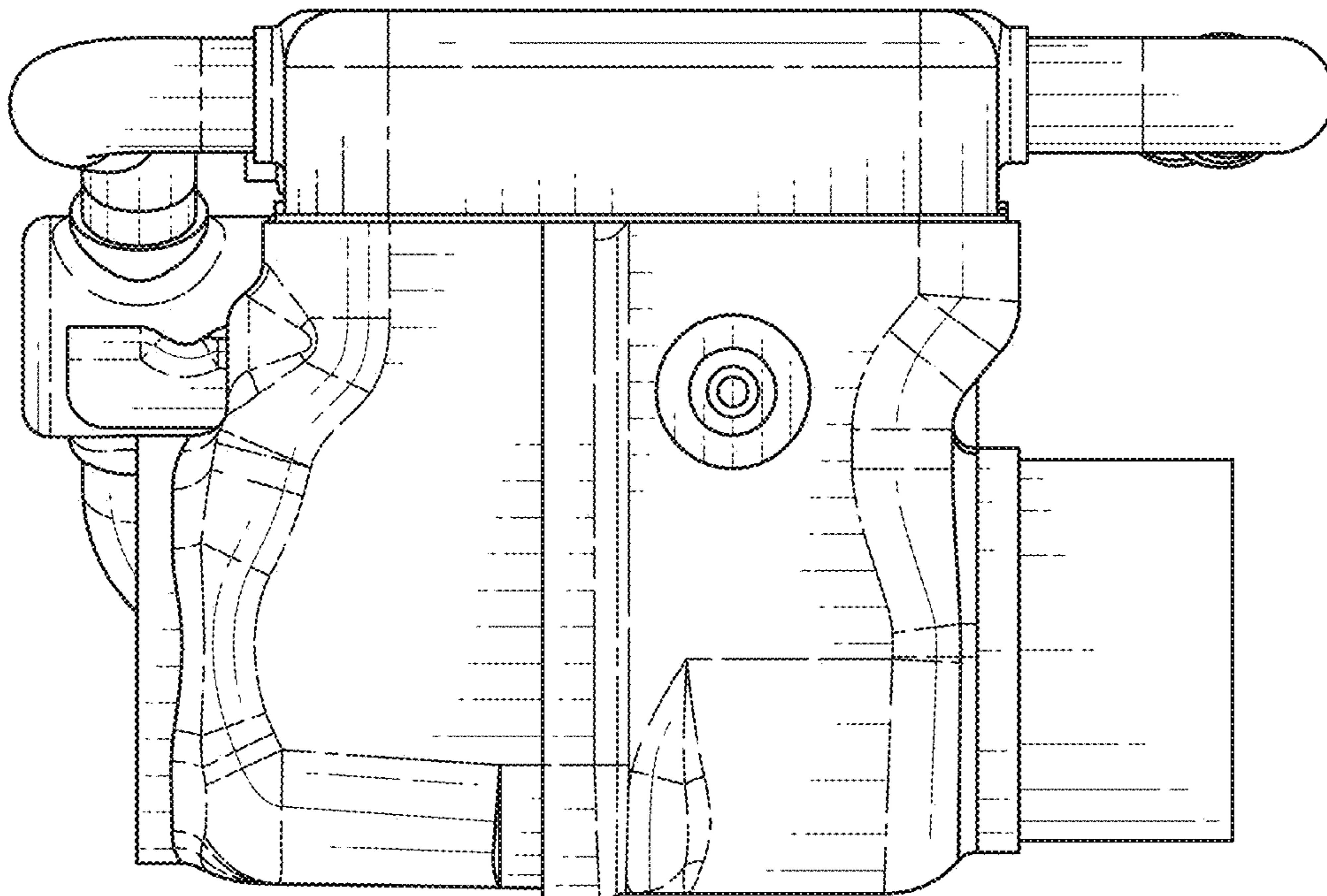


FIG. 10



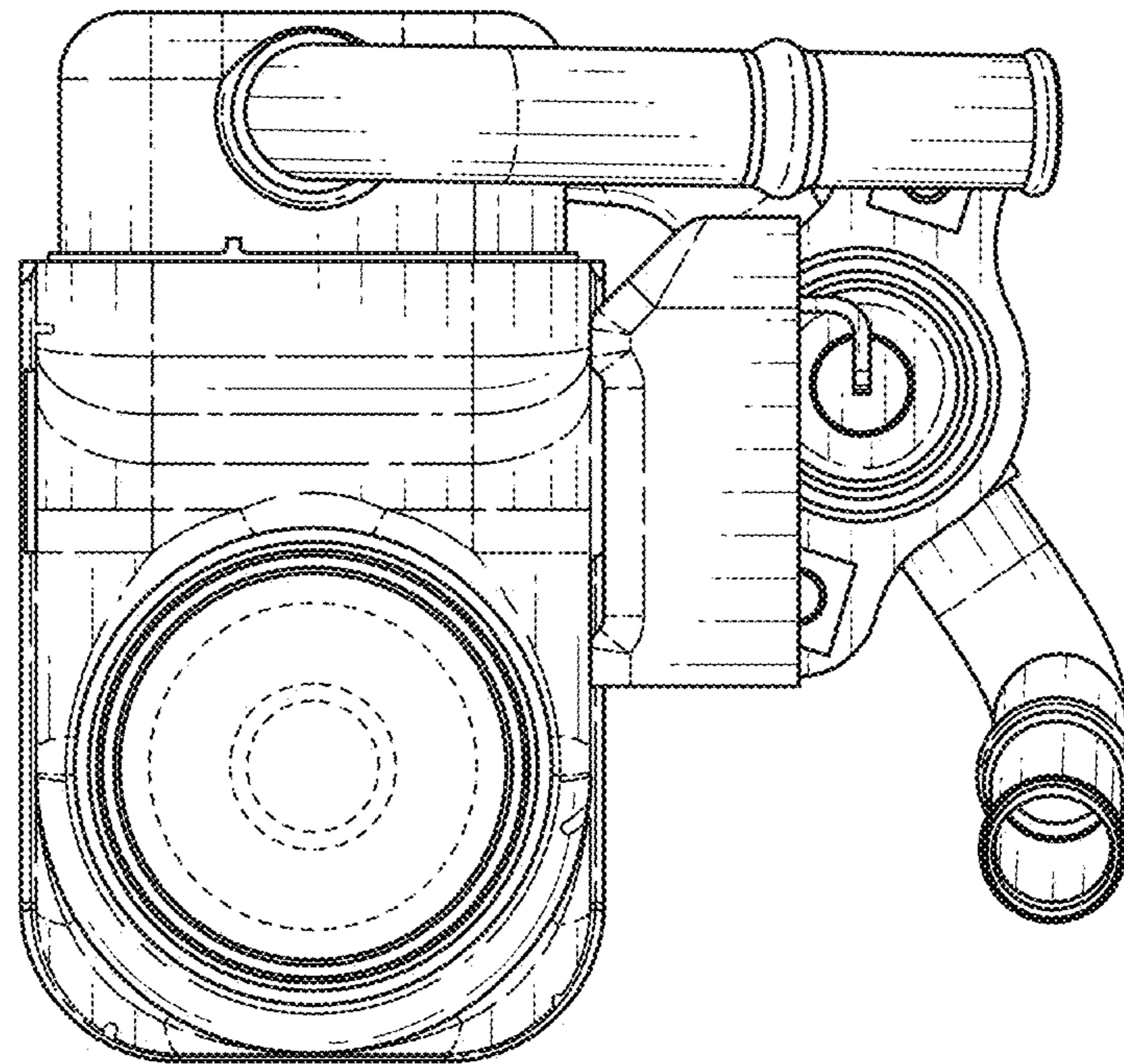


FIG. 11

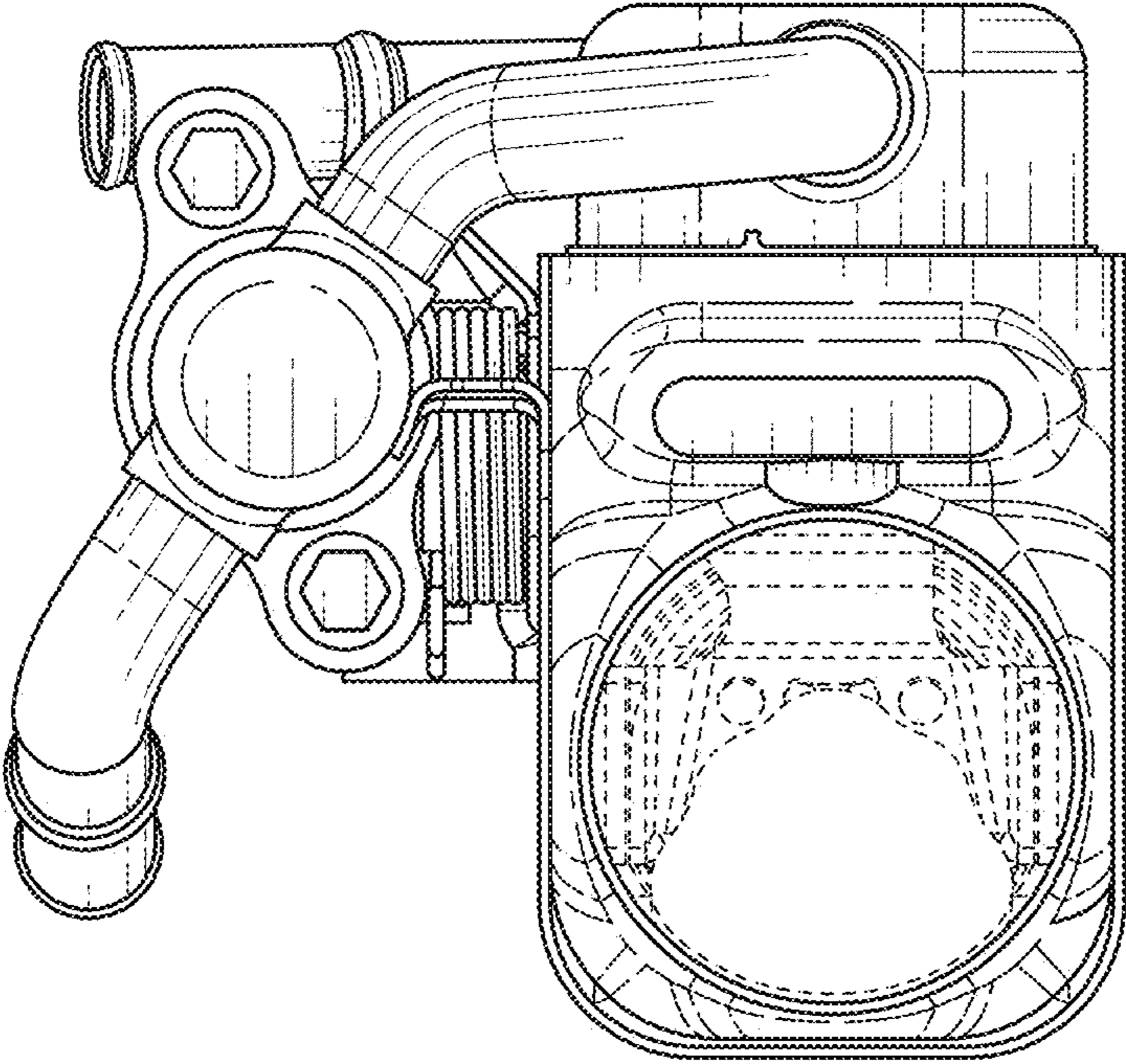


FIG. 12

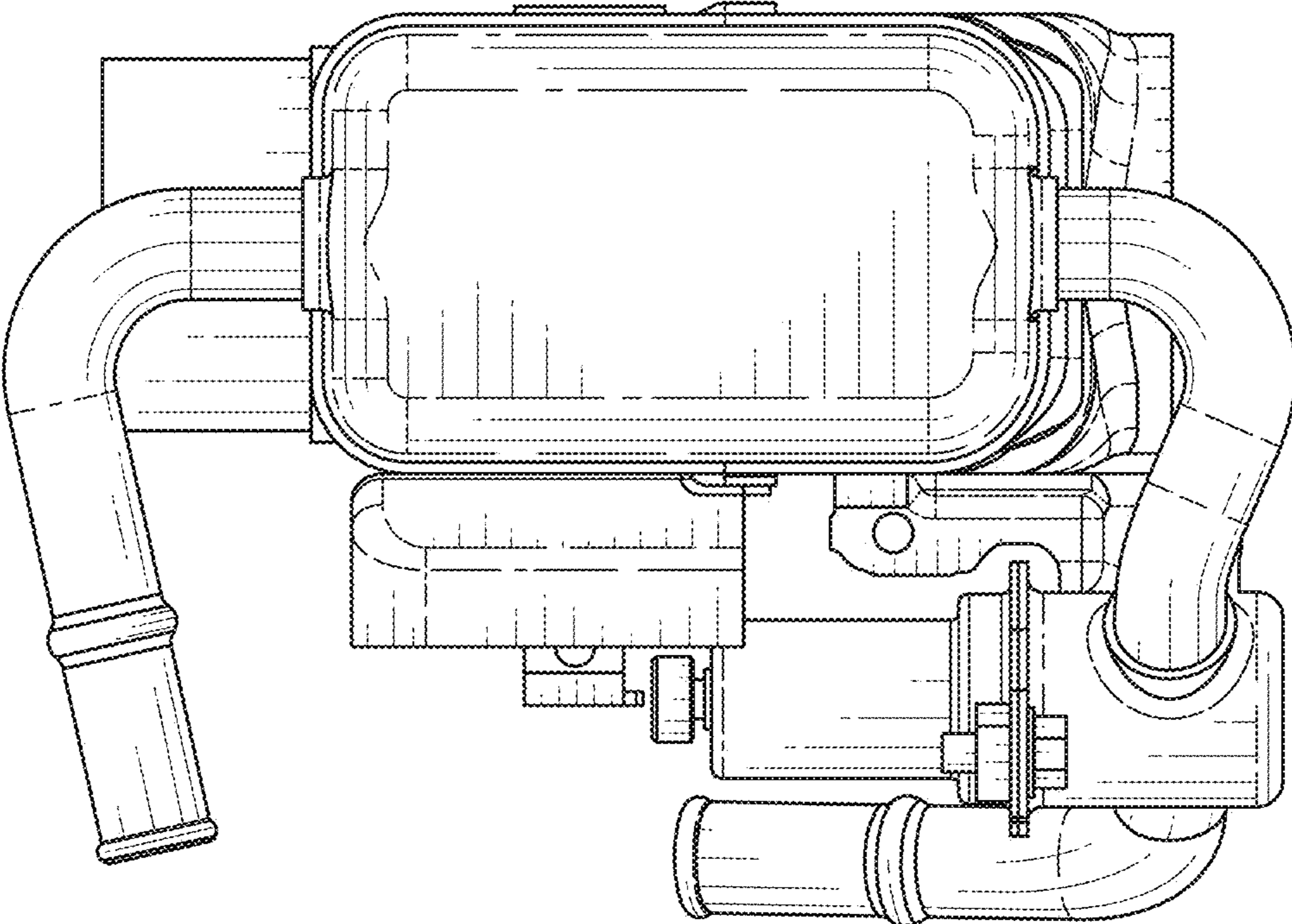


FIG.13

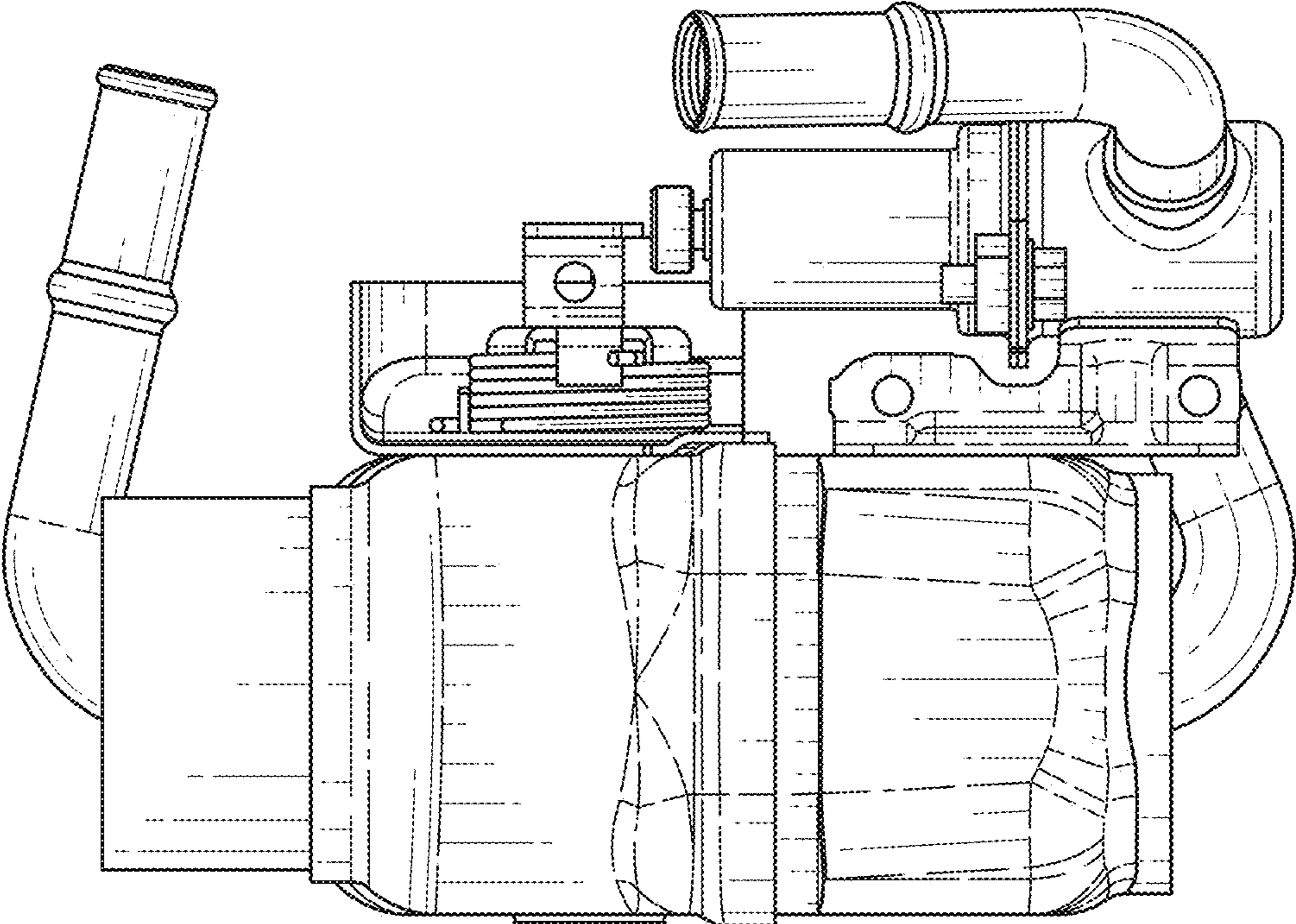


FIG. 14



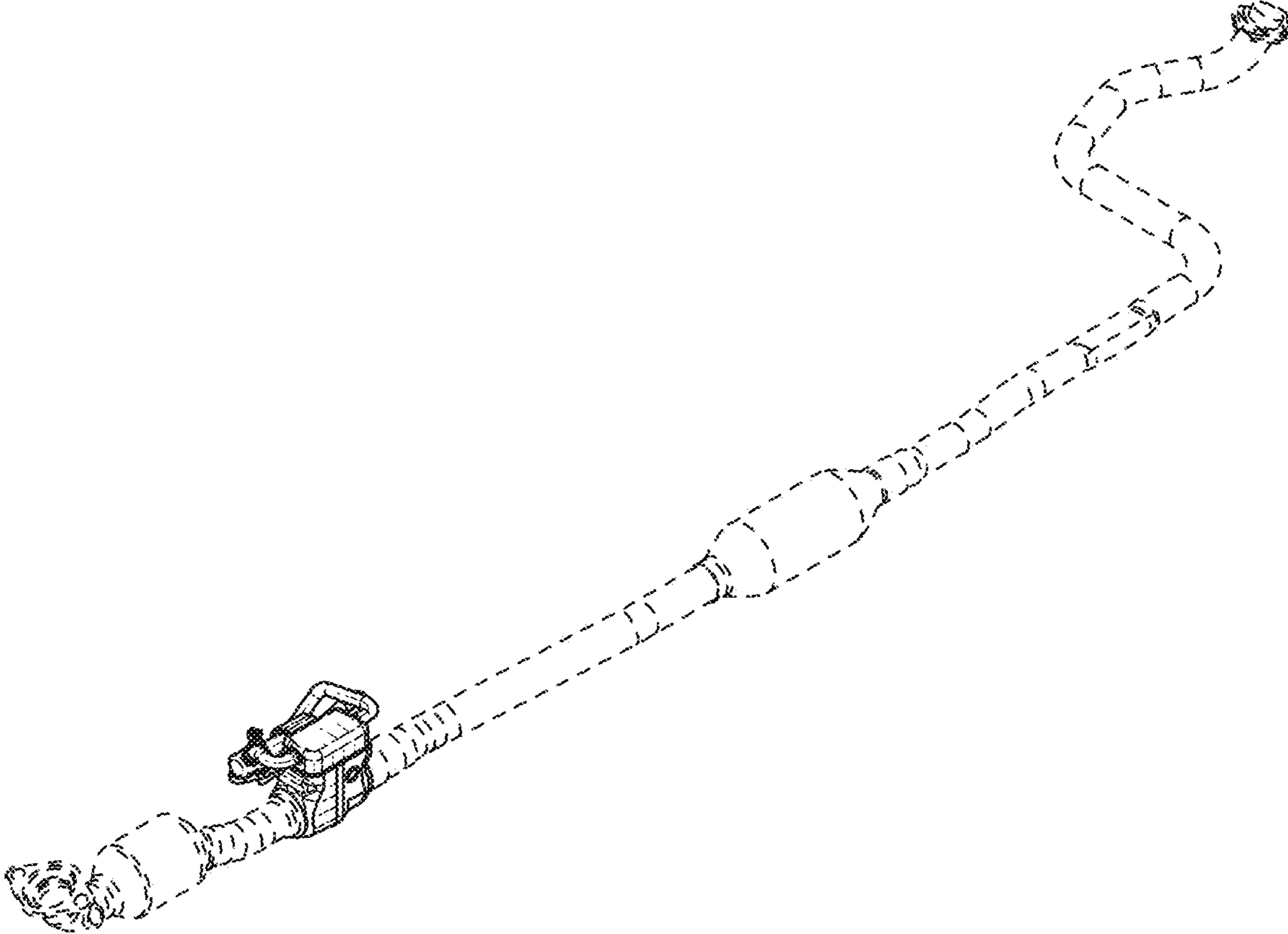


FIG. 15