



US00D879152S

(12) **United States Design Patent** (10) **Patent No.:** **US D879,152 S**
McWilliam et al. (45) **Date of Patent:** **** Mar. 24, 2020**

(54) **ELECTRONIC DEVICE**

(71) Applicant: **Amazon Technologies, Inc.**, Seattle, WA (US)

(72) Inventors: **Giles David Matthew McWilliam**, San Francisco, CA (US); **Christopher Green**, San Francisco, CA (US); **Monica Liane Mecchella**, San Francisco, CA (US)

(73) Assignee: **Amazon Technologies, Inc.**, Seattle, WA (US)

(**) Term: **15 Years**

(21) Appl. No.: **29/704,390**

(22) Filed: **Sep. 4, 2019**

Related U.S. Application Data

(62) Division of application No. 29/675,982, filed on Jan. 7, 2019, now Pat. No. Des. 865,003, which is a division of application No. 29/615,518, filed on Aug. 29, 2017, now Pat. No. Des. 841,693.

(51) **LOC (12) Cl.** **14-03**

(52) **U.S. Cl.**
USPC **D14/496**; D14/314; D14/203.6; D14/216

(58) **Field of Classification Search**

USPC D14/125, 137, 140–140.9, 155, 159, 167, D14/168, 172, 188, 194, 203.1, 204, D14/209.1, 216, 217, 221, 225–229, 240, D14/242, 299, 348, 349, 356–358, 432, D14/433, 474, 496, 497, 160, 203.6, 506, D14/509, 401, 435, 203.3, 203.7, 507, D14/212, 213, 195, 314; D10/104.1, D10/106.1–106.9, 22, 102, 123, 126; D13/108, 110, 123, 158, 177, 199; D21/333, 483, 513

CPC H04L 12/00; H03K 17/00; H04W 88/00; H04W 88/04; H04B 1/38

See application file for complete search history.

(56) **References Cited**

U.S. PATENT DOCUMENTS

D215,040 S	8/1969	Abe
D277,853 S	3/1985	Thomas
D303,970 S	10/1989	Collins et al.
D351,832 S	10/1994	Anderson
D364,165 S	11/1995	Esslinger
D364,871 S	12/1995	Esslinger
D494,958 S	8/2004	Solland

(Continued)

OTHER PUBLICATIONS

Office Action dated Nov. 27, 2018, for Chinese Application No. 201830076401.4, a counterpart of U.S. Appl. No. 29/615,518, 1 page.

(Continued)

Primary Examiner — Jeffrey D Asch
Assistant Examiner — Rebekah A Caruso

(74) *Attorney, Agent, or Firm* — Lee & Hayes, P.C.

(57) **CLAIM**

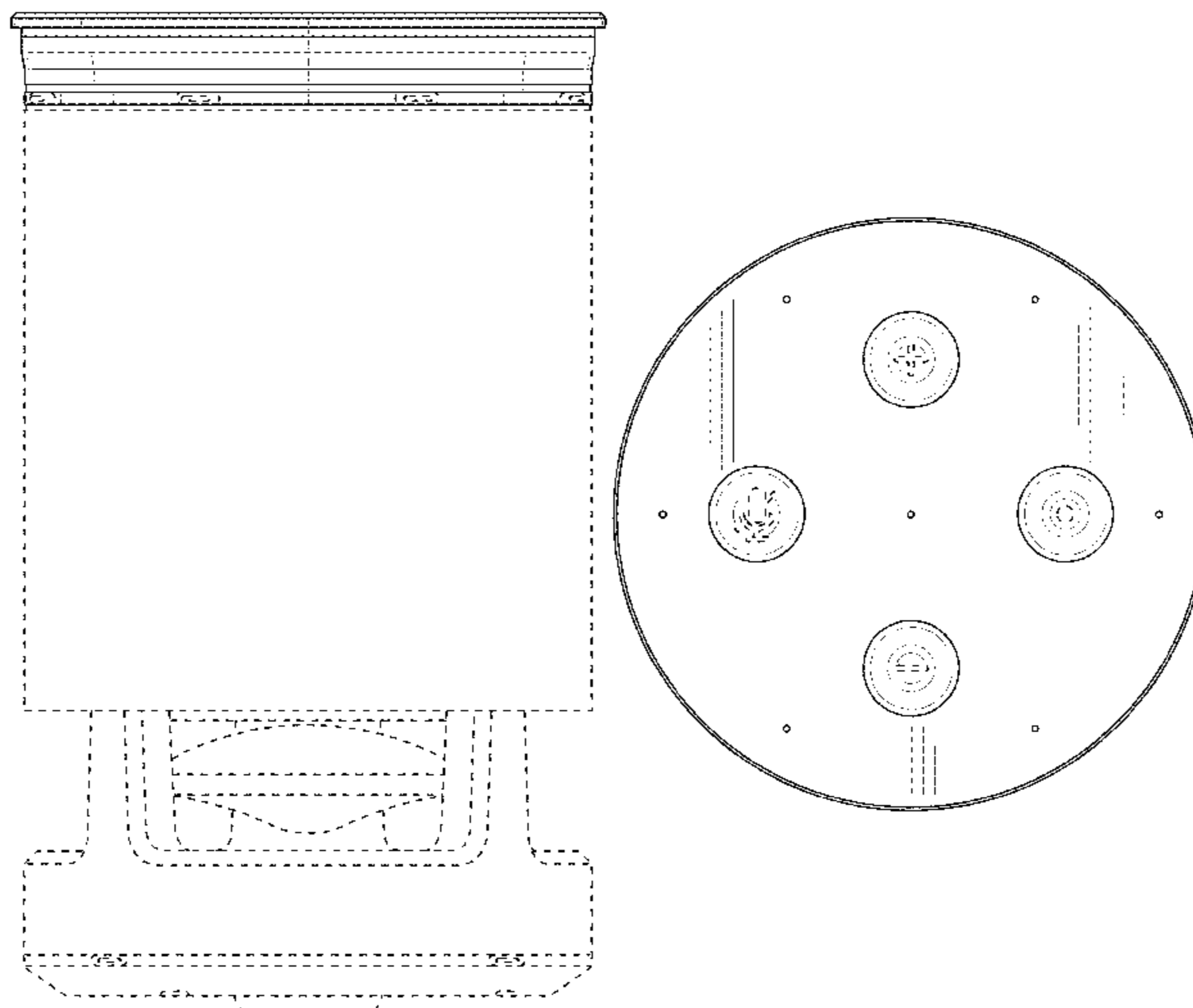
The ornamental design for an electronic device, as shown and described.

DESCRIPTION

FIG. 1 is a top perspective view of an electronic device;
 FIG. 2 is a bottom perspective view thereof;
 FIG. 3 is a back view thereof;
 FIG. 4 is a front view thereof;
 FIG. 5 is a left-side view thereof;
 FIG. 6 is a right-side view thereof;
 FIG. 7 is a top view thereof; and,
 FIG. 8 is a bottom view thereof.

The broken lines depict portions of the electronic device that form no part of the claimed design.

1 Claim, 8 Drawing Sheets



(56)

References Cited

U.S. PATENT DOCUMENTS

D508,042 S 8/2005 Oikawa
 D598,020 S 8/2009 Lu et al.
 D604,719 S 11/2009 Cornell
 D615,530 S 5/2010 Dobson
 D686,186 S 7/2013 Kaneko et al.
 D687,017 S * 7/2013 Ashcraft D14/216
 D697,496 S * 1/2014 Ashcraft D14/216
 D737,787 S 9/2015 Leung et al.
 D737,789 S 9/2015 Leung et al.
 D738,870 S 9/2015 Ding et al.
 D758,025 S * 5/2016 Ma D30/199
 D761,228 S 7/2016 Cho et al.
 D768,631 S * 10/2016 Epstein D14/388
 D770,418 S 11/2016 Hong et al.
 D771,142 S * 11/2016 Langhammer D14/203.6
 D778,956 S * 2/2017 Langhammer D14/203.1
 D791,735 S 7/2017 Kalyuzhny et al.
 D792,397 S 7/2017 Ma et al.
 D792,468 S * 7/2017 Langhammer D14/203.3
 D797,073 S 9/2017 Yoon et al.
 D803,190 S 11/2017 Lee et al.

D806,707 S 1/2018 Nalbandian et al.
 D807,873 S 1/2018 Seoc et al.
 D810,135 S * 2/2018 Langhammer D14/496
 D815,076 S * 4/2018 Shin D14/242
 D815,149 S * 4/2018 Langhammer D14/496
 D820,802 S 6/2018 Hamann et al.
 D826,205 S * 8/2018 Langhammer D14/203.6
 D835,062 S * 12/2018 Langhammer D14/203.6
 D841,693 S 2/2019 McWilliam et al.
 D844,592 S * 4/2019 Huang D14/240
 D845,276 S * 4/2019 Huang D14/216
 D848,398 S * 5/2019 Huang D14/216
 D857,650 S * 8/2019 Hardi D14/205
 D865,003 S * 10/2019 McWilliam D14/496

OTHER PUBLICATIONS

Selfert, "Amazon Echo (2nd Gen) Review: Smaller and Cheaper, But Mostly the Same", retrieved on Sep. 24, 2018 at <<<https://www.theverge.com/2017/10/24/16528170/amazon-echo-2nd-gen-alexa-2017-review>>>, The Verge, 2017, 10 pages.

* cited by examiner

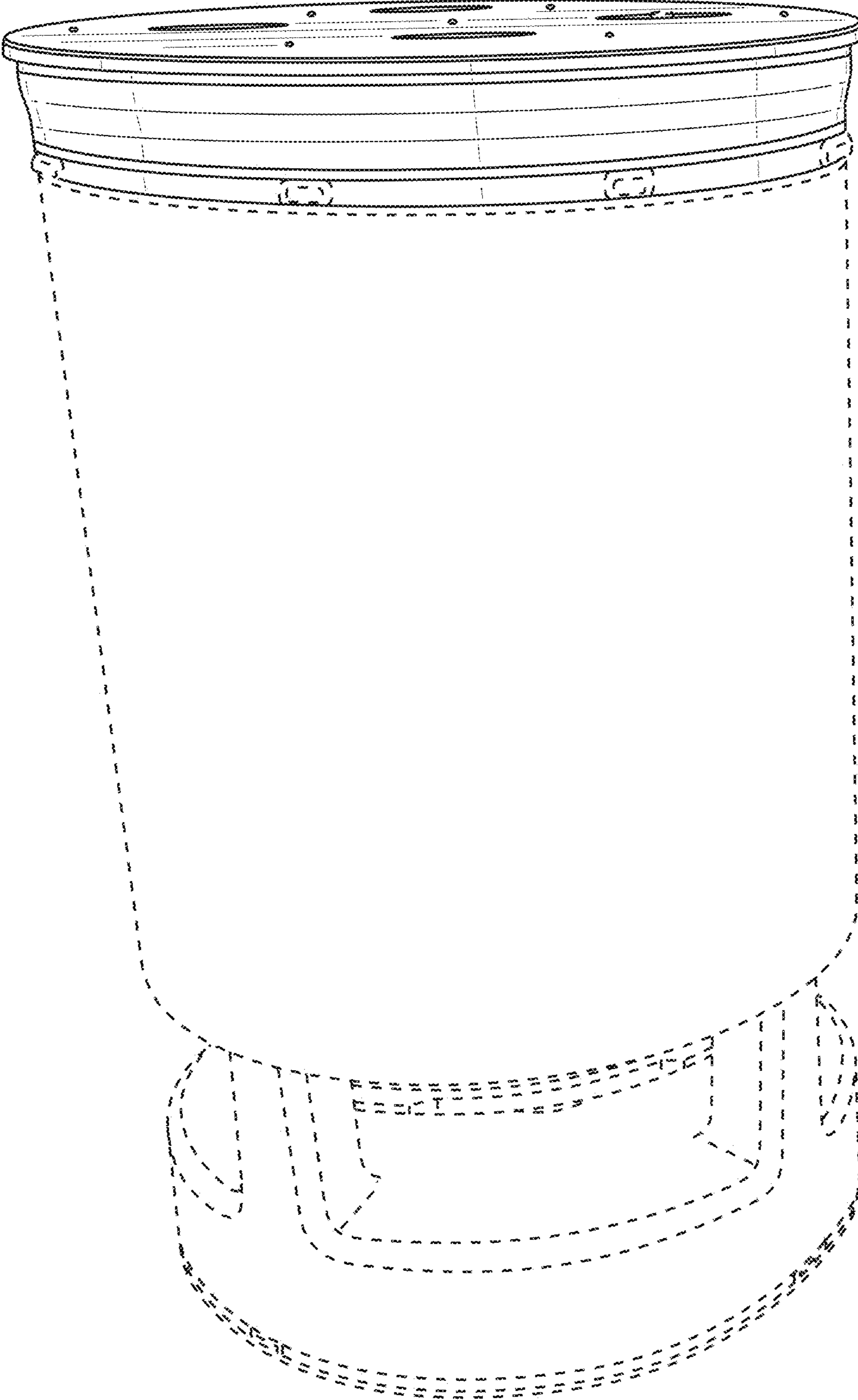


FIG. 1

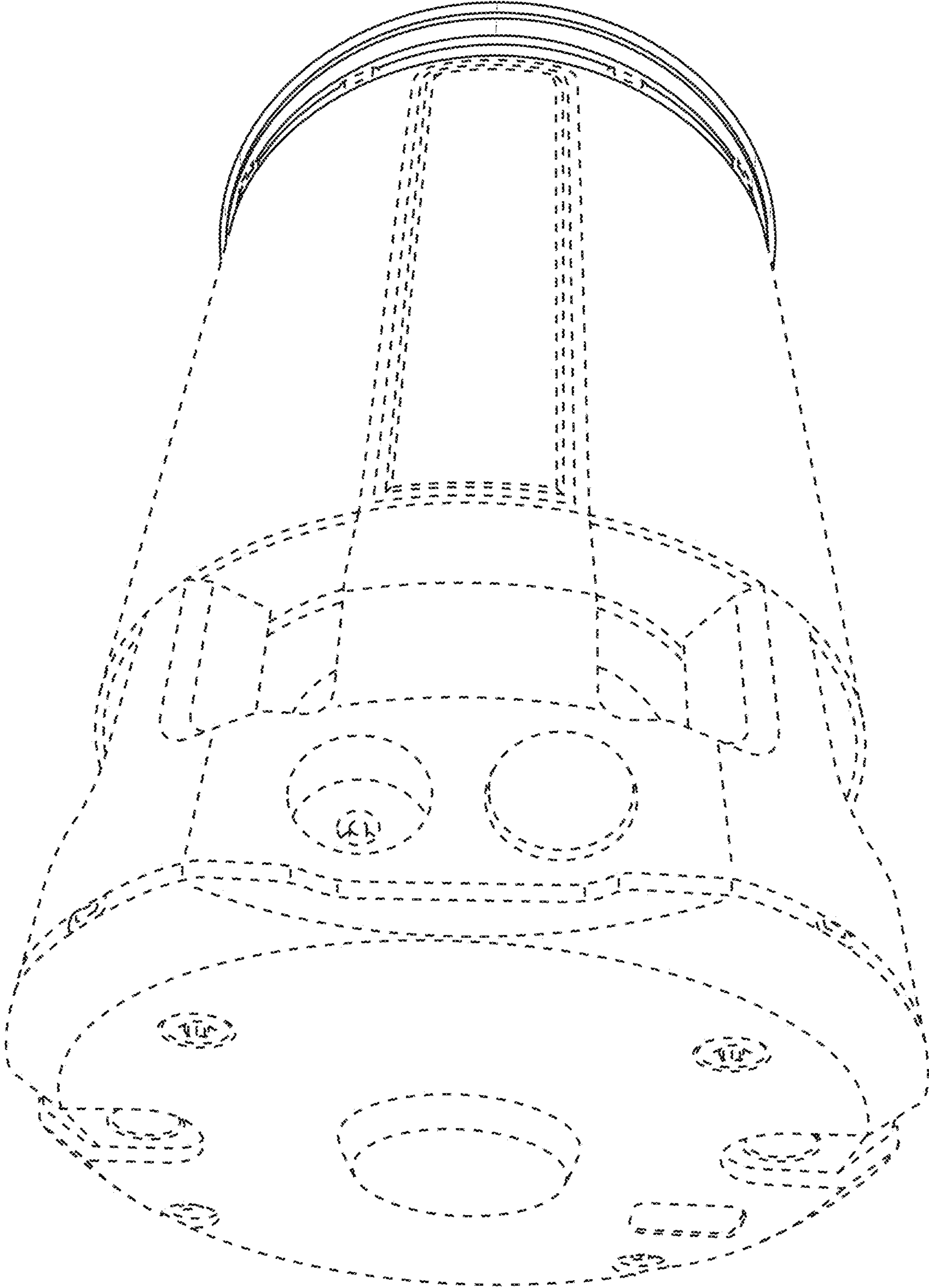


FIG. 2

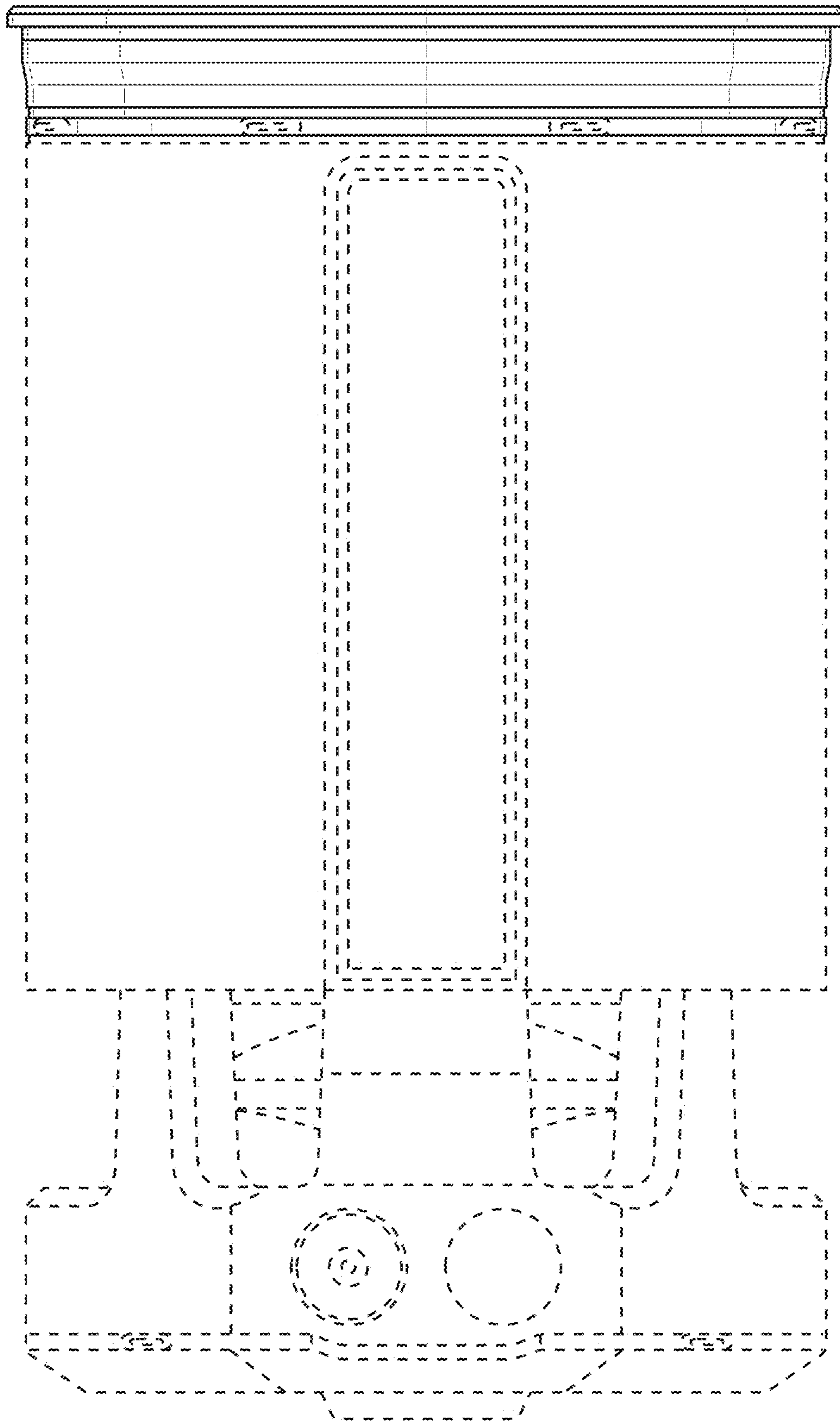


FIG. 3

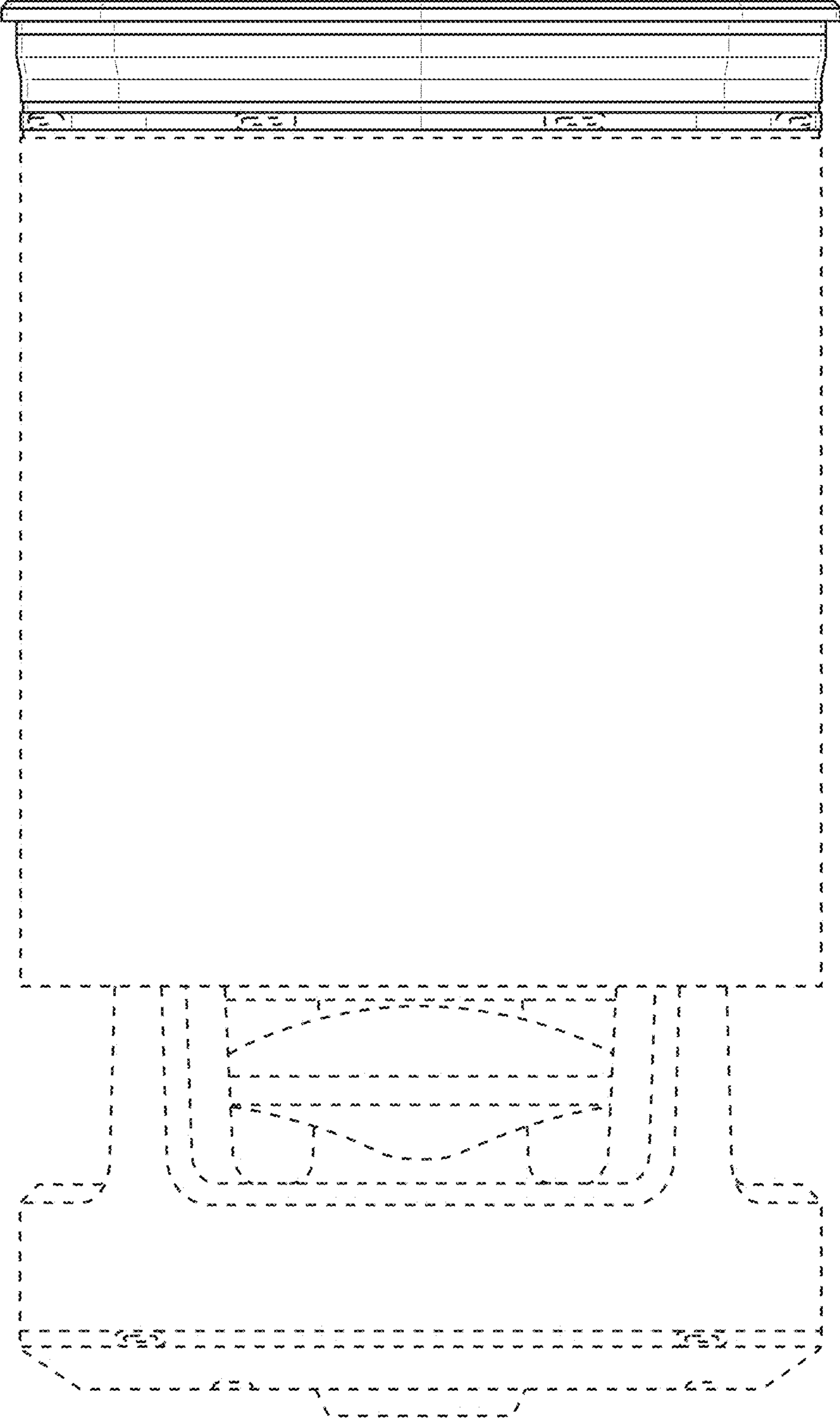


FIG. 4

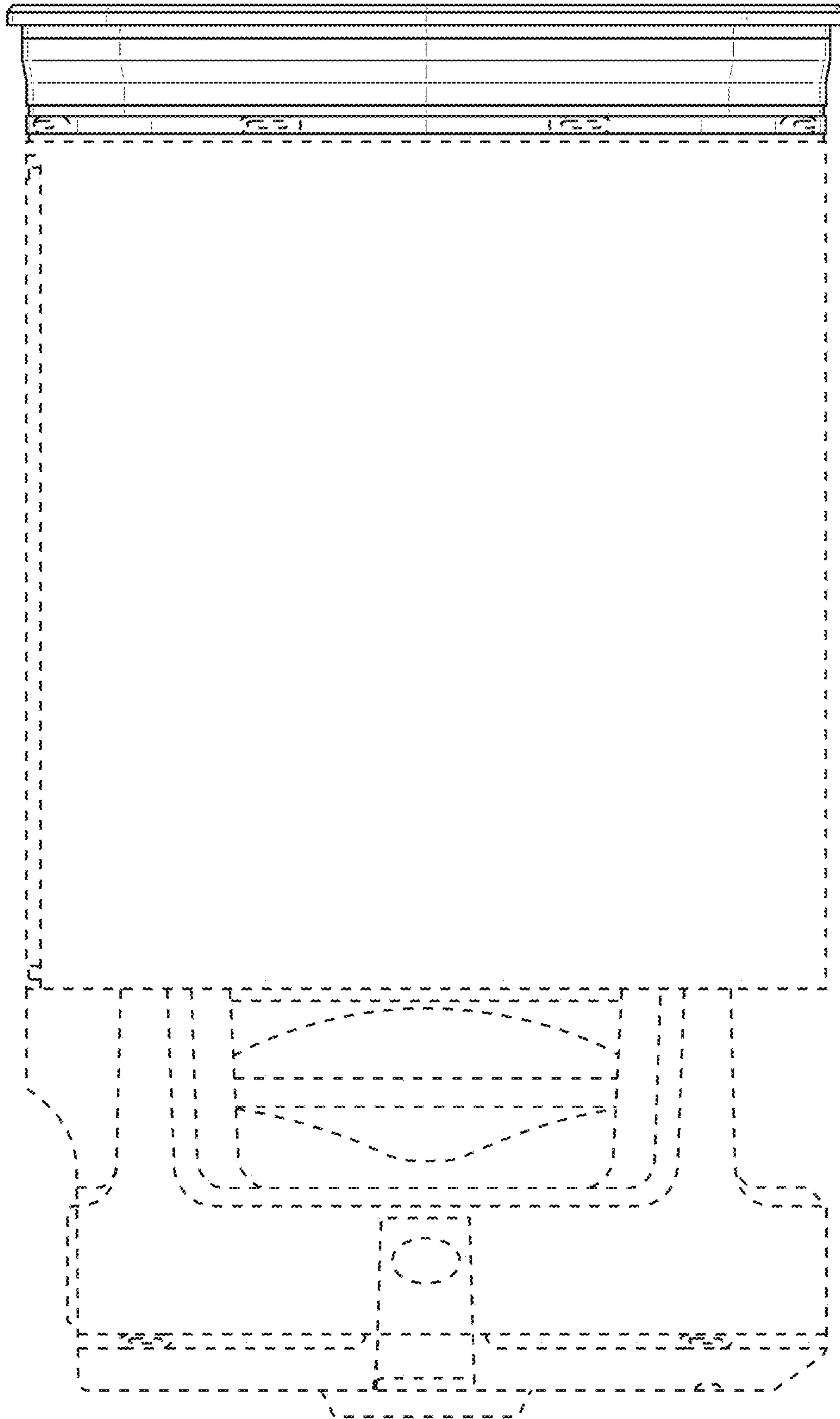


FIG. 5

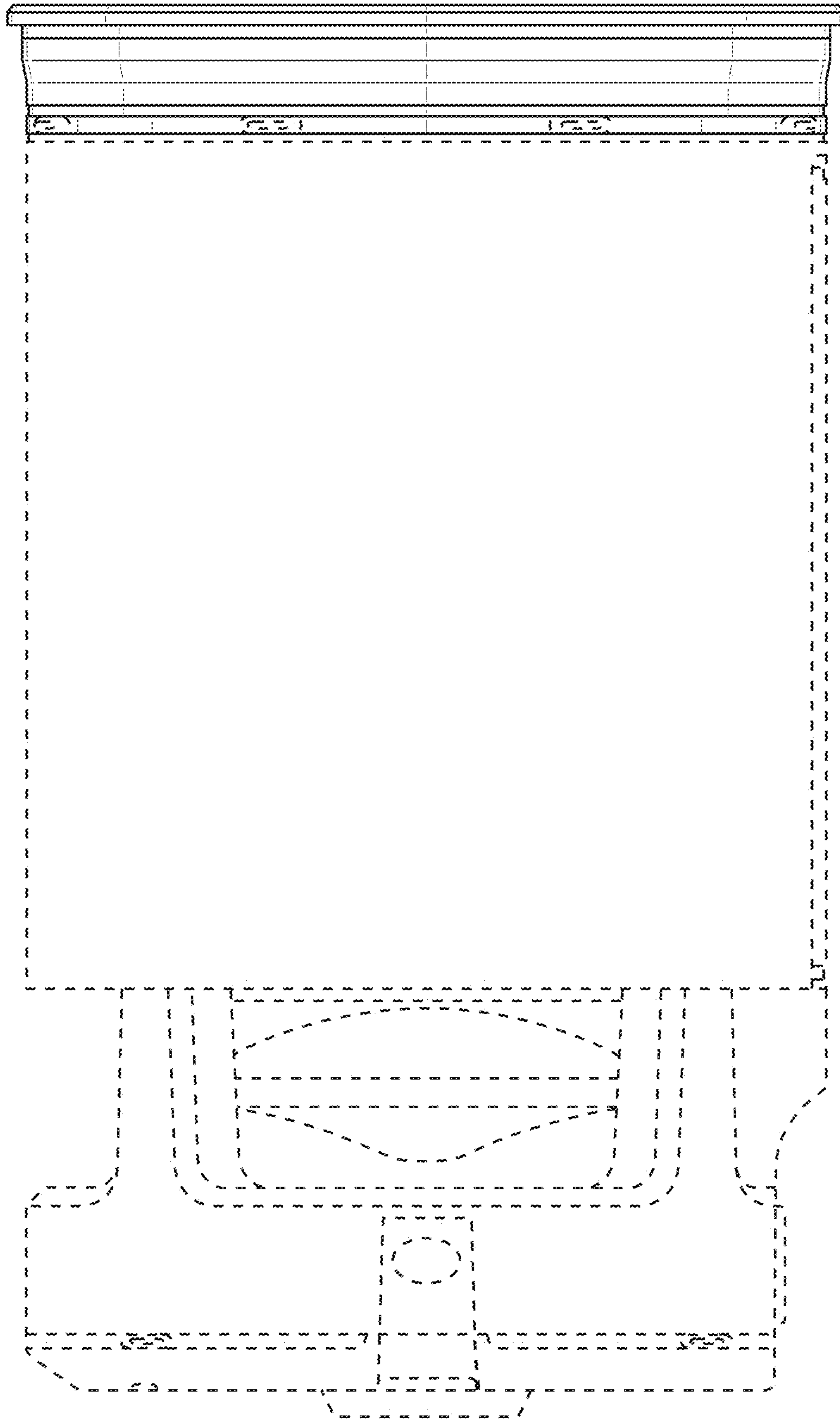


FIG. 6

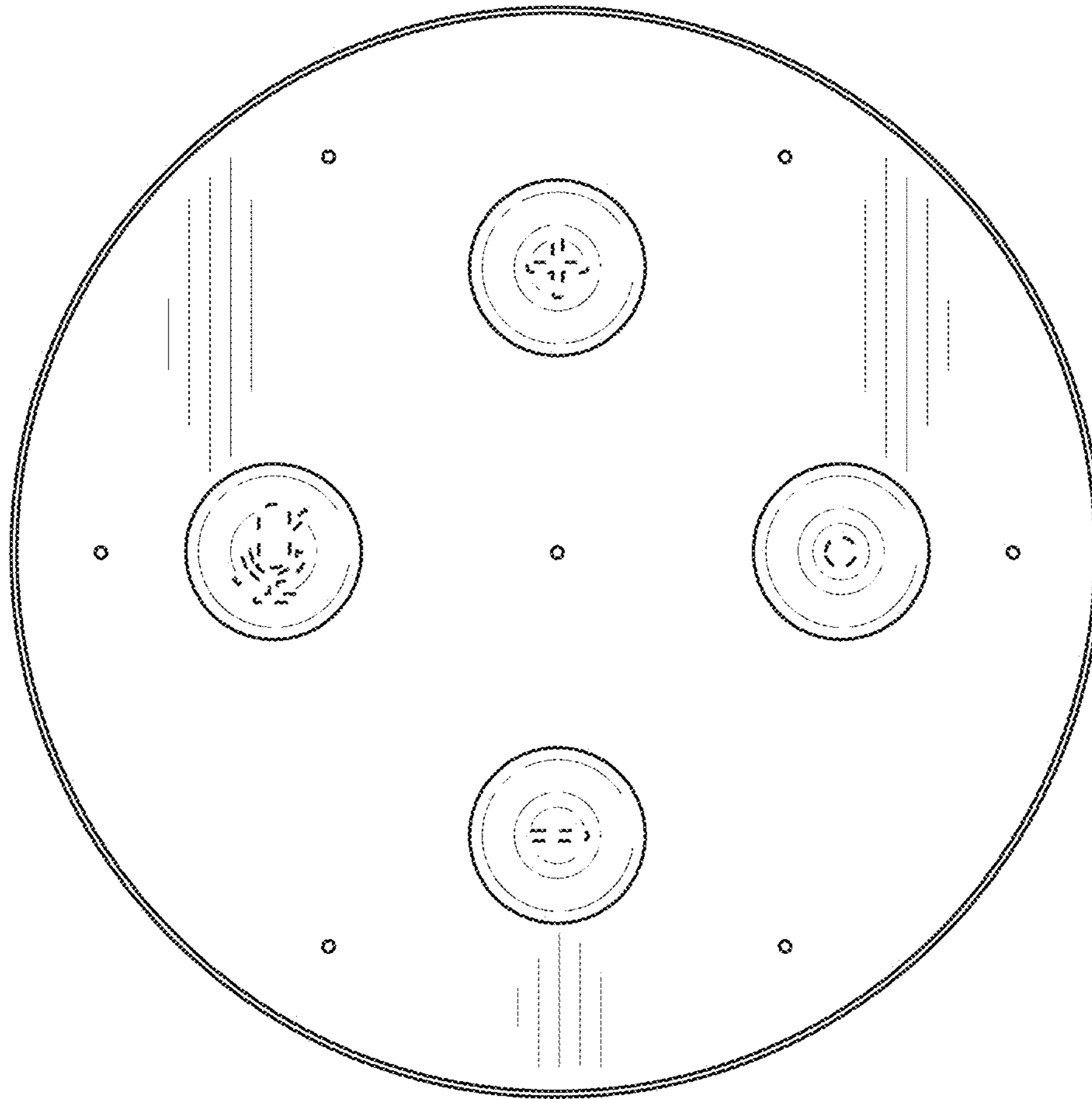


FIG. 7

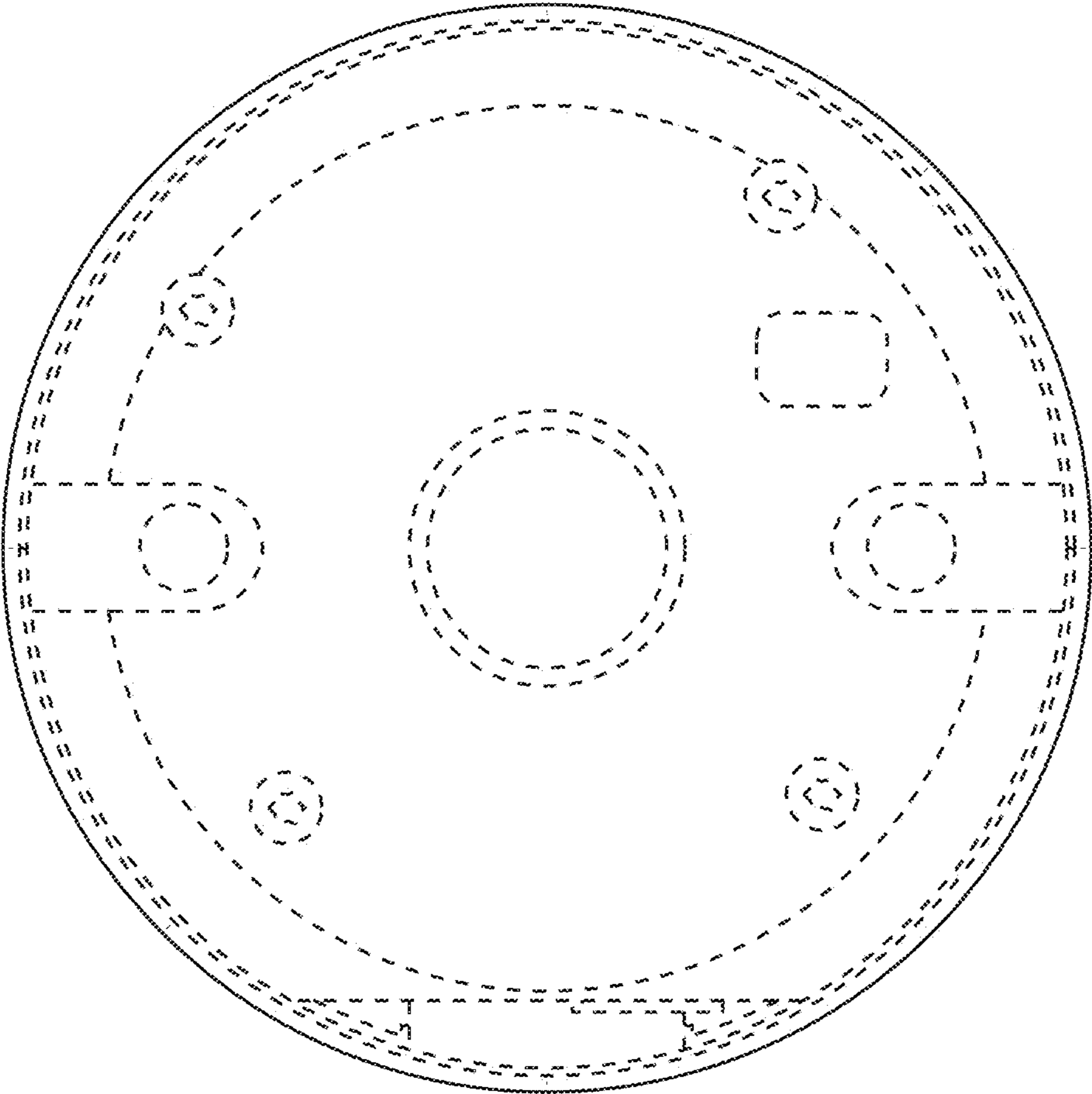


FIG. 8