



US00D879150S

(12) **United States Design Patent**
Kusano et al.

(10) **Patent No.:** **US D879,150 S**

(45) **Date of Patent:** **** Mar. 24, 2020**

(54) **PLAYBACK DEVICE**

(71) Applicant: **Sonos, Inc.**, Santa Barbara, CA (US)

(72) Inventors: **Mieko Kusano**, Santa Barbara, CA (US); **Ernesto Figueira**, Santa Barbara, CA (US); **Roland Bird**, Eindhoven (NL); **Niels van Hoof**, Eindhoven (NL)

(73) Assignee: **Sonos, Inc.**, Santa Barbara, CA (US)

(**) Term: **15 Years**

(21) Appl. No.: **29/663,323**

(22) Filed: **Sep. 13, 2018**

Related U.S. Application Data

(63) Continuation of application No. 29/609,315, filed on Jun. 29, 2017, now Pat. No. Des. 831,646, which is a continuation of application No. 29/554,354, filed on Feb. 10, 2016, now Pat. No. Des. 794,019, which is a continuation of application No. 29/499,300, filed on Aug. 13, 2014, now Pat. No. Des. 754,751.

(51) **LOC (12) Cl.** **14-02**

(52) **U.S. Cl.**
USPC **D14/496**; D14/203.1; D14/358

(58) **Field of Classification Search**
USPC D14/496, 356, 357, 358, 359, 361, 125, D14/209.1, 167, 168, 156, 155, 188, 314, D14/365, 240, 203.3, 203.1, 221, 214; D13/184, 147, 168; D9/432; 361/679.31, 361/679.33, 679.4, 685, 752; 455/557; 345/169
CPC H04R 1/02; H04R 9/06; G06F 1/16; G06F 17/00; H05K 7/02
See application file for complete search history.

(56) **References Cited**

U.S. PATENT DOCUMENTS

D62,875 S	8/1923	Benson	
D220,105 S	3/1971	Small	
D275,752 S	10/1984	Mahan	
D286,633 S	11/1986	Pauser	
D367,042 S	2/1996	Morrow et al.	
D375,297 S	11/1996	Casarez et al.	
D395,897 S	7/1998	Honma et al.	
5,914,707 A *	6/1999	Kono	G06K 19/08 345/173
D416,004 S	11/1999	Tanimura et al.	
D416,896 S	11/1999	Ogasawara et al.	
D425,033 S	5/2000	Hibino	
6,147,859 A	11/2000	Abboud	
D453,329 S	2/2002	Muramatsu	

(Continued)

OTHER PUBLICATIONS

Japanese Patent Office, "Office Action," issued in connection with Application No. 2015-002927, dated Jun. 2, 2015, 3 pgs.

(Continued)

Primary Examiner — Paula Allen Greene
(74) *Attorney, Agent, or Firm* — KPPB LLP

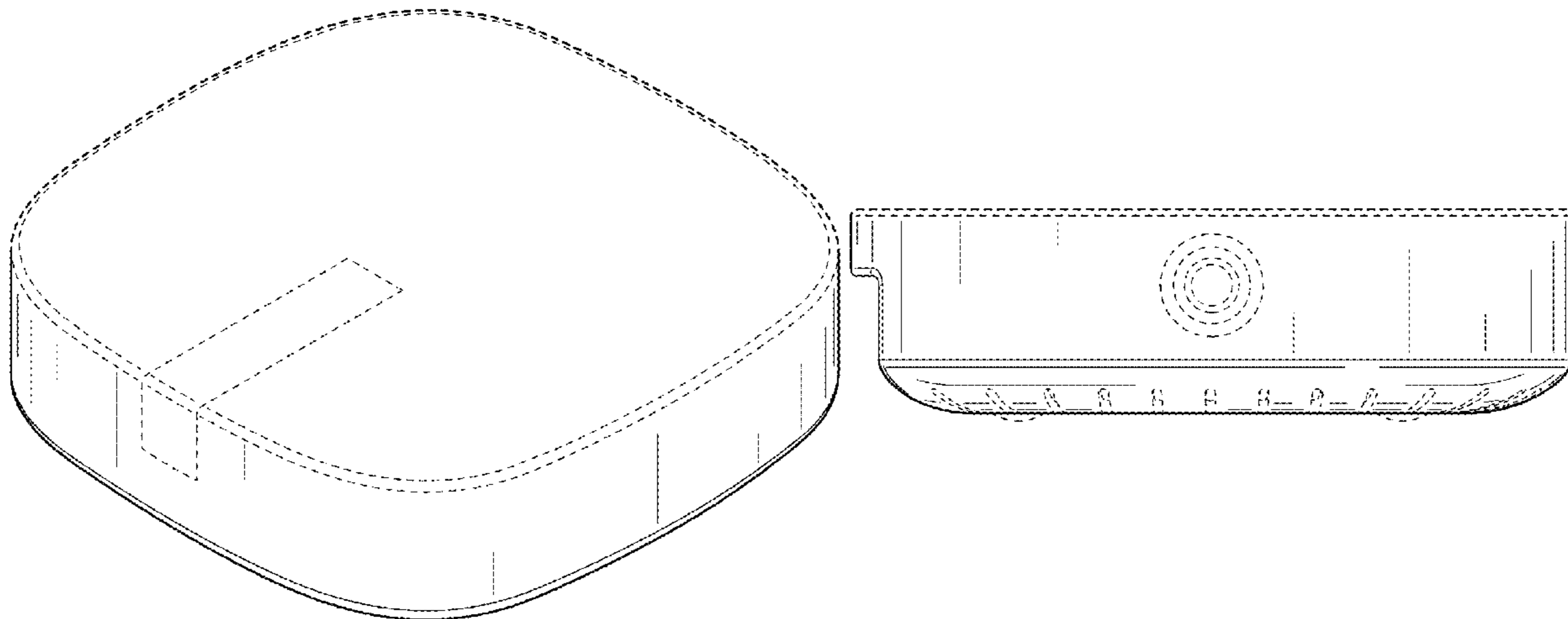
(57) **CLAIM**

The ornamental design for a playback device, as shown and described.

DESCRIPTION

FIG. 1 is an isometric view of a playback device.
FIG. 2 is a front view of the playback device of FIG. 1.
FIG. 3 is a rear view of the playback device of FIG. 1.
FIG. 4 is a side view of the playback device of FIG. 1.
FIG. 5 is another side view of the playback device of FIG. 1.
FIG. 6 is a top view of the playback device of FIG. 1; and, FIG. 7 is a bottom view of the playback device of FIG. 1.
The features shown in broken lines are for illustrative purposes only and form no part of the claimed design.

1 Claim, 3 Drawing Sheets



(56)

References Cited

U.S. PATENT DOCUMENTS

D464,958 S 10/2002 Coker et al.
 D491,091 S 6/2004 Osinga
 6,873,524 B2 3/2005 Kaczeus et al.
 D510,343 S 10/2005 Wallace et al.
 D513,617 S 1/2006 Tierney et al.
 D513,750 S 1/2006 Ko et al.
 D519,101 S 4/2006 Alwicker
 D521,001 S 5/2006 Xiao et al.
 D522,531 S 6/2006 Solomon et al.
 7,057,566 B2 6/2006 Theobald
 D526,648 S 8/2006 Andre et al.
 D530,315 S 10/2006 Liu
 D532,785 S 11/2006 Lo et al.
 D533,177 S 12/2006 Andre
 D535,281 S 1/2007 Yang
 D537,817 S 3/2007 Andre
 D542,288 S 5/2007 Andre et al.
 D545,836 S 7/2007 Haldimann et al.
 D545,837 S 7/2007 Haldimann et al.
 D545,838 S 7/2007 Haldimann et al.
 D545,839 S 7/2007 Haldimann et al.
 D545,840 S 7/2007 Haldimann et al.
 D563,994 S 3/2008 Liu
 D574,360 S 8/2008 Matsuoka et al.
 D582,384 S 12/2008 Christopher
 D582,429 S 12/2008 Kusano et al.
 D583,367 S 12/2008 Chen
 D583,796 S 12/2008 Tanaka et al.
 D585,733 S 2/2009 Feibelman
 D588,486 S 3/2009 Falck-Andersen
 D589,045 S 3/2009 Lee et al.
 D594,874 S 6/2009 Sheba et al.
 D594,875 S 6/2009 Sheba et al.
 D596,626 S 7/2009 Andre
 D599,753 S 9/2009 Cho et al.
 D601,583 S 10/2009 Andre
 D608,793 S 1/2010 Canu-chiesa et al.
 D609,315 S 2/2010 Soulier
 D609,701 S 2/2010 Hou et al.
 D616,426 S 5/2010 Ju et al.
 D620,953 S 8/2010 Andre
 D638,426 S 5/2011 Ikeda et al.
 D641,327 S 7/2011 Falakfarsa et al.
 D641,364 S 7/2011 McParland et al.
 D641,740 S 7/2011 Jeon et al.
 D650,393 S 12/2011 Doll
 D651,994 S 1/2012 Lundbom et al.
 D655,305 S 3/2012 Koo et al.
 D657,784 S 4/2012 Akana et al.
 D660,809 S 5/2012 Kern Koskela et al.
 D660,839 S 5/2012 Govindasamy et al.
 D662,491 S 6/2012 Andre et al.
 8,195,313 B1 6/2012 Fadell et al.
 D664,130 S 7/2012 Lee
 D664,978 S 8/2012 Tanghe et al.
 D667,426 S 9/2012 Randall et al.
 8,299,978 B2 10/2012 Gates et al.
 D676,005 S 2/2013 Wood et al.
 D679,730 S 4/2013 Tyler et al.
 8,411,434 B2 4/2013 Goh
 D682,879 S 5/2013 Eikenberry et al.
 D683,758 S 6/2013 Phelan
 D684,193 S 6/2013 Maier et al.
 D685,392 S 7/2013 Chamness et al.
 D686,065 S 7/2013 Kuo et al.
 D686,201 S 7/2013 Lee et al.
 D686,595 S 7/2013 Andre et al.
 D687,817 S 8/2013 Petersen et al.
 D688,701 S 8/2013 Myung et al.
 D689,860 S 9/2013 Chong et al.
 D693,808 S 11/2013 Kim et al.
 D696,299 S 12/2013 Chamness et al.
 D701,879 S 4/2014 Foit et al.
 D704,177 S 5/2014 Chun et al.
 D705,224 S 5/2014 Govindasamy et al.

D705,252 S 5/2014 Cahill et al.
 D705,748 S 5/2014 He
 D711,345 S 8/2014 Liu
 D714,816 S 10/2014 Varon et al.
 D718,785 S 12/2014 Lee et al.
 D719,153 S 12/2014 Lim et al.
 D719,561 S 12/2014 Akana et al.
 D719,928 S 12/2014 Birger
 D721,061 S 1/2015 Burlingame et al.
 D721,352 S 1/2015 Kusano et al.
 D723,479 S 3/2015 Lee et al.
 D725,146 S 3/2015 Pereira
 D727,360 S 4/2015 Peng et al.
 D727,786 S 4/2015 Shlakman
 D730,388 S 5/2015 Rehberg et al.
 D730,399 S 5/2015 Kadosh
 D732,993 S 6/2015 Shabot
 D734,358 S 7/2015 Rehberg et al.
 D736,605 S 8/2015 Minarik
 D738,904 S 9/2015 Tyler et al.
 D738,907 S 9/2015 Cabrera-Cordon et al.
 D743,954 S 11/2015 Chuang et al.
 D746,795 S 1/2016 Burlingame et al.
 D754,751 S 4/2016 Kusano et al.
 D756,991 S 5/2016 Day et al.
 D759,629 S 6/2016 Kusano et al.
 D763,913 S 8/2016 Kim et al.
 D765,140 S 8/2016 Peng et al.
 D768,589 S 10/2016 Shin
 D768,602 S 10/2016 Reichert et al.
 D768,607 S 10/2016 Altonen et al.
 D769,322 S 10/2016 Rajeswaran et al.
 D769,910 S 10/2016 Apodaca et al.
 D776,657 S 1/2017 Lagerstedt et al.
 D778,280 S 2/2017 Vanderpol et al.
 D779,552 S 2/2017 Kim et al.
 D781,257 S 3/2017 Moon et al.
 D789,990 S 6/2017 Bird et al.
 D789,991 S 6/2017 Bird et al.
 D794,019 S 8/2017 Kusano et al.
 D797,740 S 9/2017 Nguyen
 D798,339 S 9/2017 Yang et al.
 D798,860 S 10/2017 Wieser et al.
 D798,861 S 10/2017 Wieser et al.
 D799,479 S 10/2017 Wieser et al.
 D802,565 S 11/2017 Fariello
 D806,678 S * 1/2018 Reichert D14/209.1
 D808,971 S 1/2018 Akana et al.
 D812,560 S 3/2018 Xu
 D815,062 S 4/2018 Bird et al.
 D815,070 S 4/2018 Elmieh et al.
 D816,057 S 4/2018 Jue
 D818,987 S 5/2018 Sun et al.
 D821,374 S 6/2018 Jun et al.
 D822,712 S 7/2018 Butcher et al.
 D828,821 S 9/2018 Farr
 D829,687 S * 10/2018 Burlingame D14/214
 D831,612 S 10/2018 Usuru
 D831,646 S * 10/2018 Kusano D14/358
 D833,416 S 11/2018 Hu
 D842,271 S * 3/2019 Kusano D14/214
 D848,399 S * 5/2019 Burlingame D14/221
 D855,587 S * 8/2019 Reichert D14/221
 D864,145 S * 10/2019 Zhang D14/155
 2003/0081377 A1 5/2003 Lin
 2008/0040735 A1 2/2008 Saitou et al.
 2009/0228654 A1 9/2009 Lakowicz
 2010/0215203 A1 8/2010 Sip
 2013/0280940 A1 10/2013 Pai et al.
 2014/0082471 A1 3/2014 Katouli et al.
 2017/0085972 A1 * 3/2017 Reichert H04R 1/025

OTHER PUBLICATIONS

“Apple TV 4! Will You Get One?” Dtathemes, Sep. 8, 2015, retrieved from <http://www.dtathemes.com/apple-tv-4-will-you-get-one/> on Mar. 2, 2016, 3 pgs.

(56)

References Cited

OTHER PUBLICATIONS

“Apple TV 4th Generation—Initial Thoughts”, UofMTiger Tech, Oct. 31, 2015, Retrieved from <http://www.uofmtiger.com/blog/apple-tv-4th-generation-initial-thoughts> on Mar. 2, 2016, 15 pgs.

“Logo Design, GIF”, dribbble.com. Jun. 25, 2014, 1 pg.

“Nest Leaf from Nest Learning Thermostat”, YouTube.com. 0:00-0:01. Published Sep. 1, 2012. Accessed Feb. 28, 2017. Available online at URL: <https://www.youtube.com/watch?v=1KfdpRrhQgw>, 1 pg.

“New iWatch concept with circular screen, metal strap and iHealth”, iPhonehacks.com. Apr. 26, 2014. Accessed Feb. 28, 2017. Available online at URL: <http://www.iphonehacks.com/2014/04/iwatch-concept-circular-screen-metal-strap-ihealth.html>, 2 pgs.

Brown, Ken, “Western Digital WD TV Play Media Player Review”, Legit Reviews, Feb. 20, 2013, Retrieved from http://www.legitreviews.com/western-digital-wd-tv-play-media-player-review_2140 on Mar. 2, 2016, 5 pgs.

Coles, Olin, “WD TV Live Digital MultiMedia Player”, BenchmarkReviews, Jul. 9, 2012, Retrieved from http://archive.benchmarkreviews.com/index.php?option=com_content&task=view&id=950&Itemid=66&limitstart=1 on Mar. 2, 2016, 18 pgs.

Goode, “Look, Ma, No Bridge! Sonos Updates Wi-Fi Speaker System”, recode.net, Sep. 2, 2014, 3 pgs.

Sze, Kelvin, “Netgear NeoTV NTV300, NeoTV PRO NTV300S and NeoTV MAX NTV300SL Streaming Players”, ITech News Net, Sep. 20, 2012, Retrieved from <http://www.itechnews.net/2012/09/20/netgear-neotv-ntv300-neotv-pro-ntv300s-and-neotv-max-ntv300sl-streaming-players/> on Mar. 2, 2016, 4pgs.

Travers, Michael, “Vector of Infinity symbol”, Cutcaster. Nov. 13, 2010. Accessed Dec. 29, 2015. Available online at URL: <http://cutcaster.com/vector/100875629-Infinity-symbol/>, 1 pg.

* cited by examiner

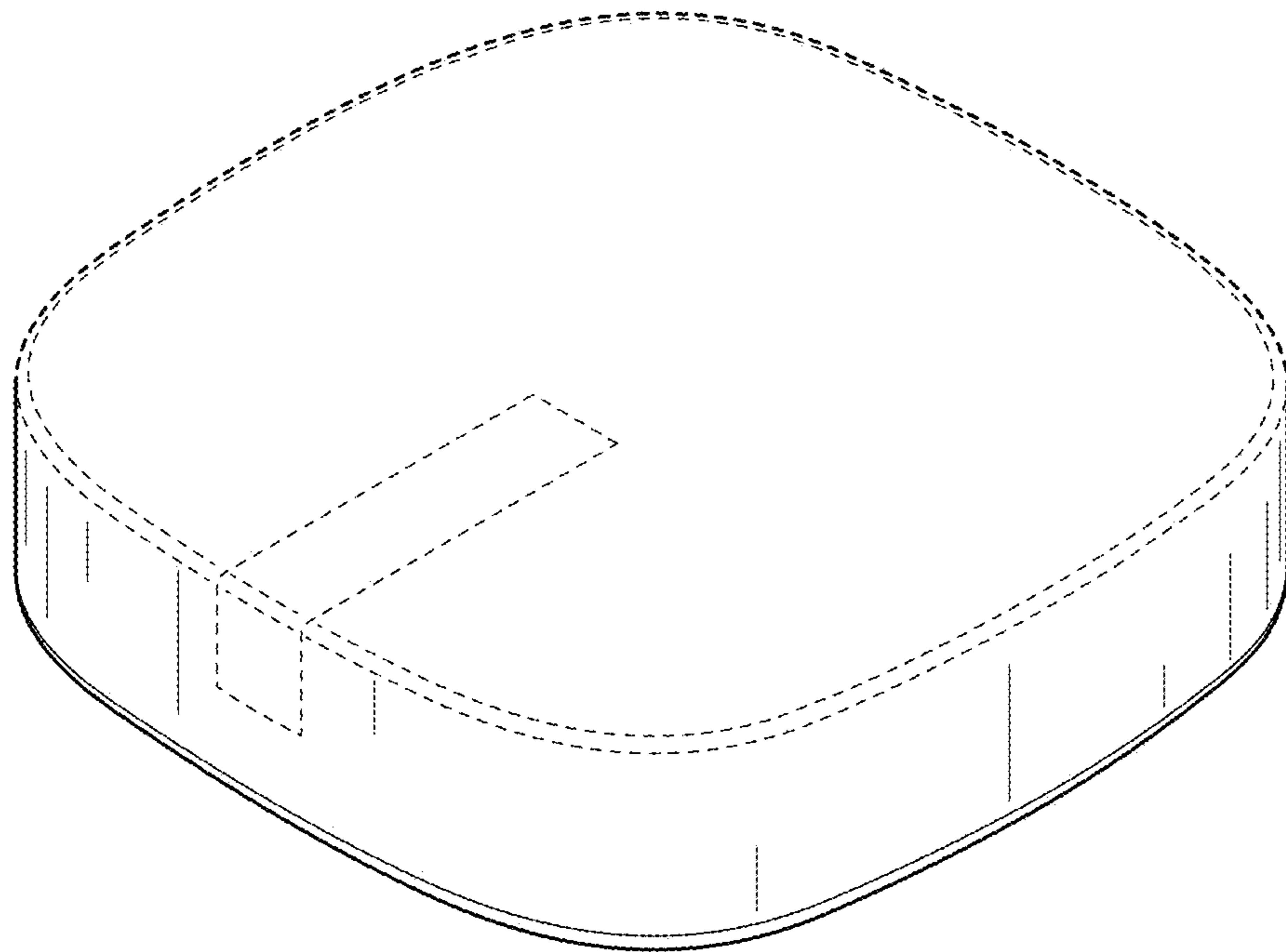


FIG. 1

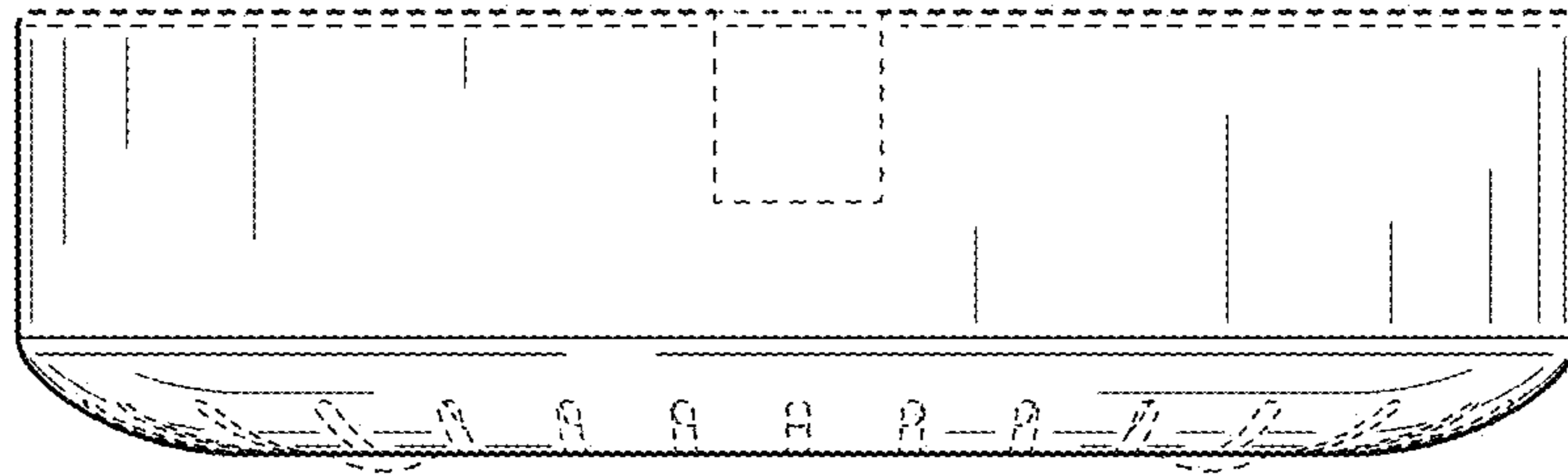


FIG. 2

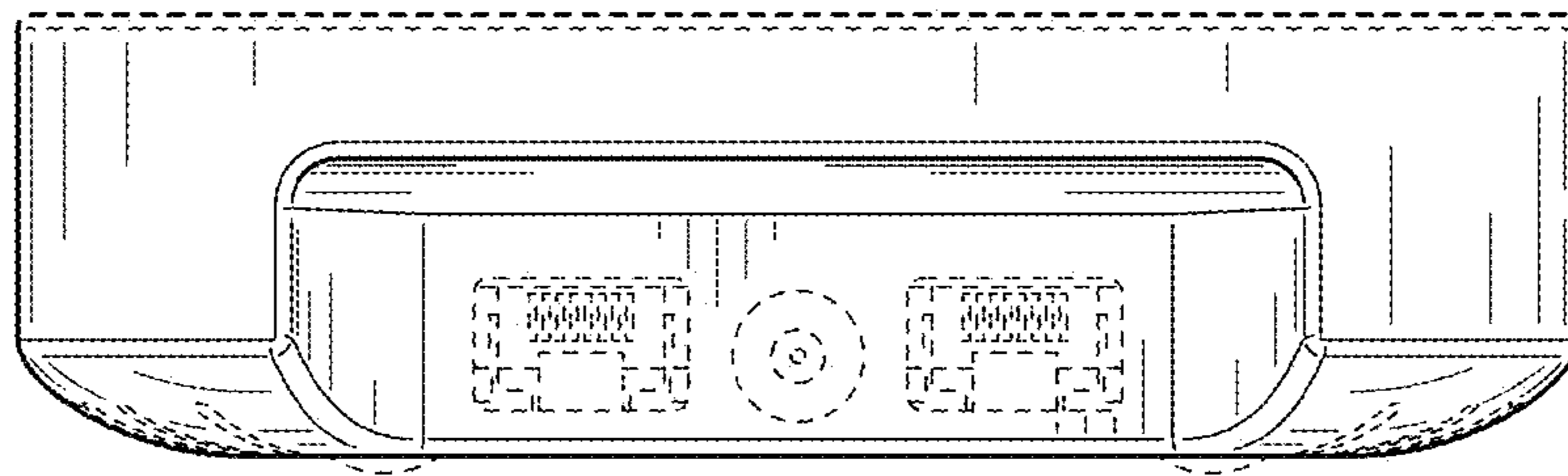


FIG. 3

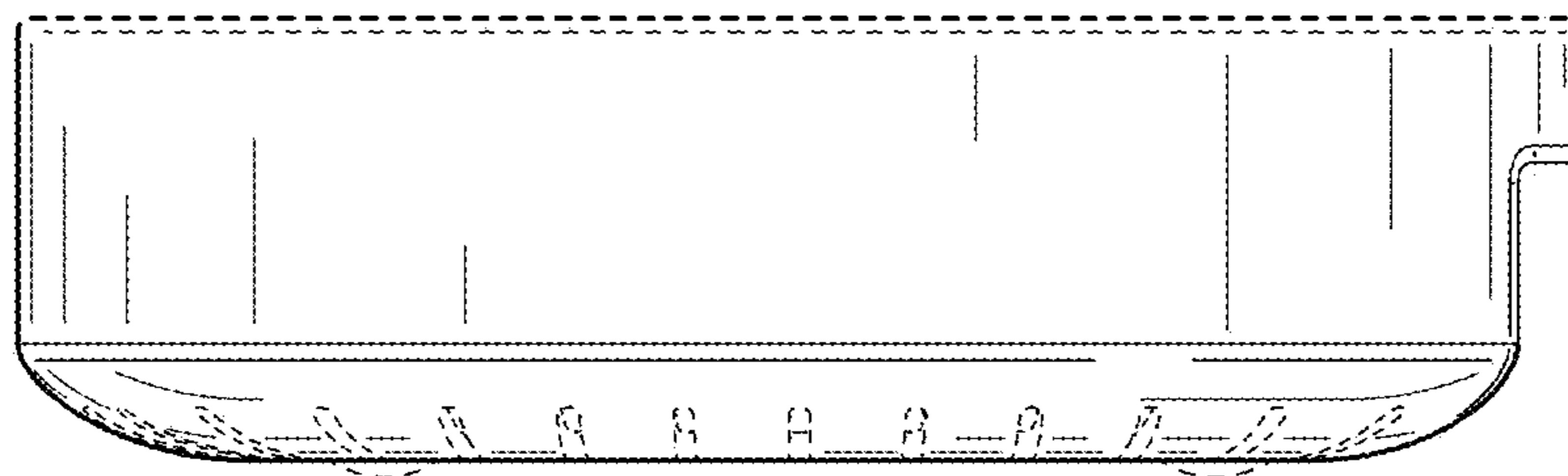


FIG. 4

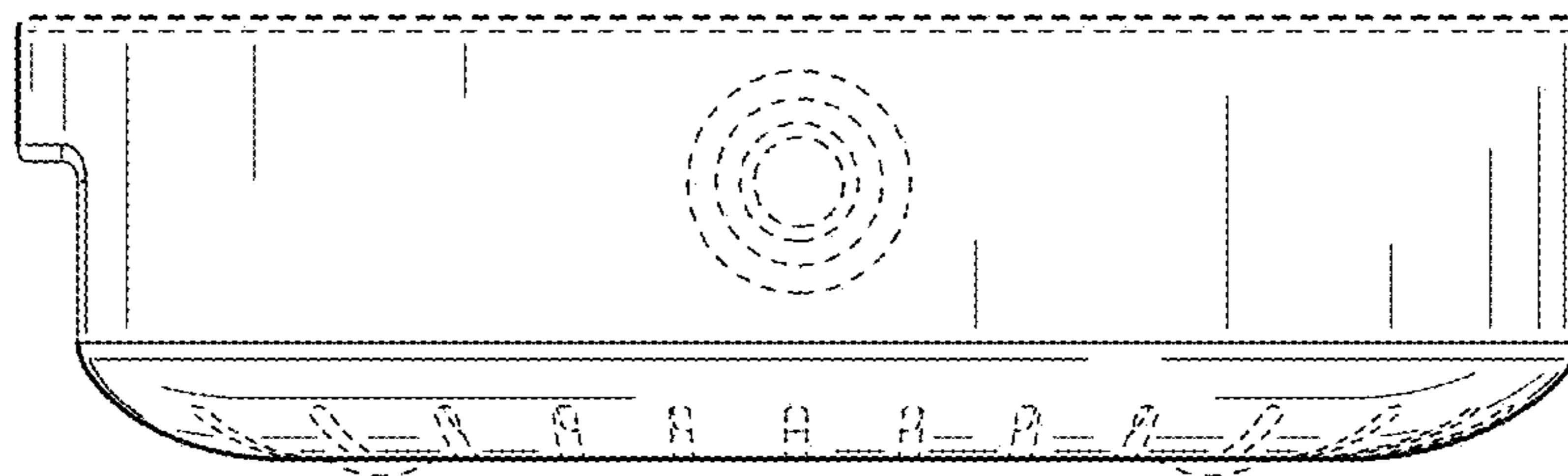


FIG. 5

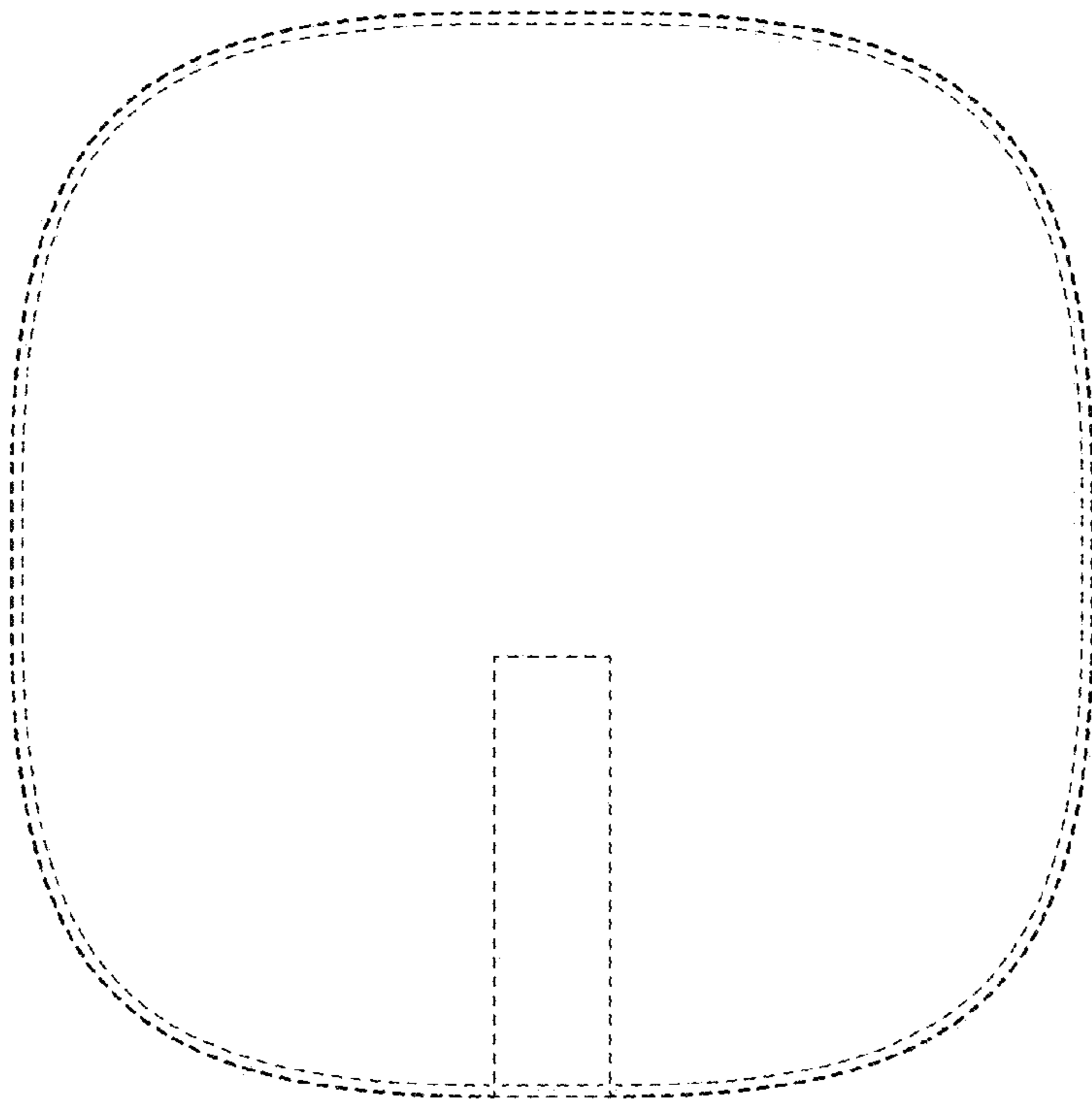


FIG. 6

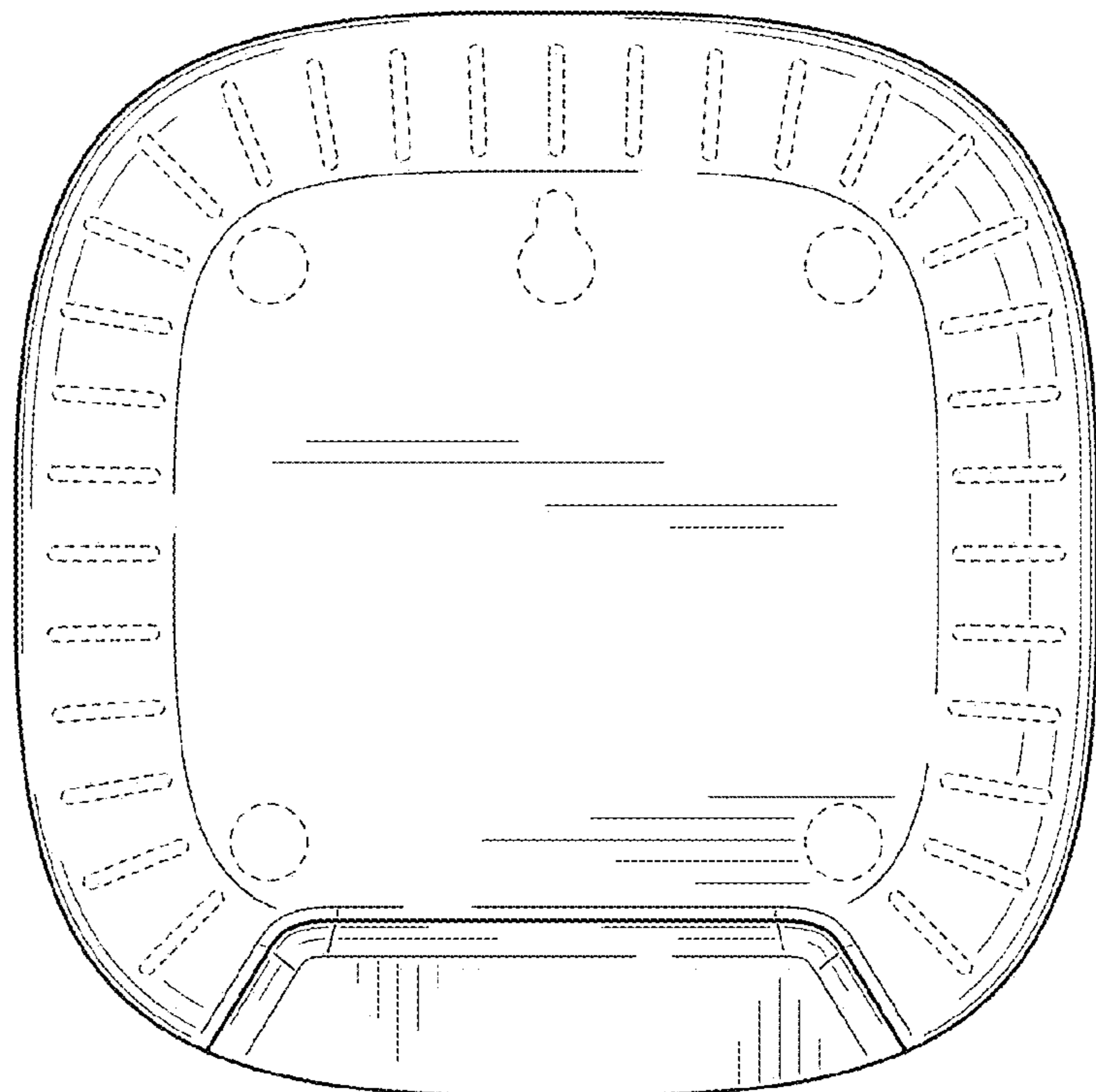


FIG. 7