



US00D879118S

(12) **United States Design Patent**  
**Chen et al.**

(10) **Patent No.:** **US D879,118 S**  
(45) **Date of Patent:** **\*\* Mar. 24, 2020**

(54) **DISPLAY SCREEN OR PORTION THEREOF WITH GRAPHICAL USER INTERFACE**

(71) Applicant: **Merry Electronics(Shenzhen) Co., Ltd.,** Shenzhen (CN)

(72) Inventors: **Yu-An Chen,** Taichung (TW); **Ju-Chun Wu,** Taichung (TW); **Chung-Yi Huang,** Taichung (TW)

(73) Assignee: **Merry Electronics(Shenzhen) Co., Ltd.,** ShenZhen (CN)

(\*\*) Term: **15 Years**

(21) Appl. No.: **29/677,647**

(22) Filed: **Jan. 23, 2019**

(51) **LOC (12) Cl.** ..... **14-04**

(52) **U.S. Cl.**

USPC ..... **D14/485**

(58) **Field of Classification Search**

USPC ..... D14/485-495

CPC .... G06F 17/211; G06F 17/212; G06F 3/1251;

G06F 3/0481; G06F 2203/04807

See application file for complete search history.

(56) **References Cited**

**U.S. PATENT DOCUMENTS**

- D566,722 S \* 4/2008 Jackson ..... D14/489
- D669,499 S \* 10/2012 Gardner ..... D14/495
- D739,872 S \* 9/2015 Bang ..... D14/488
- D740,300 S \* 10/2015 Lee ..... G06F 3/04817  
D14/485
- D740,301 S \* 10/2015 Soegiono ..... G06F 3/04817  
D14/485
- D741,898 S \* 10/2015 Soegiono ..... D14/488
- D749,634 S \* 2/2016 Cho ..... D14/489
- D752,072 S \* 3/2016 Song ..... D14/486
- D756,401 S \* 5/2016 Soldner ..... D14/488
- D761,277 S \* 7/2016 Harvell ..... D14/485

- D761,812 S \* 7/2016 Motamedi ..... D14/485
- D763,308 S \* 8/2016 Wang ..... D14/486
- D764,493 S \* 8/2016 Sanderson ..... D14/485
- D765,091 S \* 8/2016 Del Lima ..... D14/485
- D765,695 S \* 9/2016 Leabman ..... D14/486
- D765,718 S \* 9/2016 Vinna ..... D14/488
- D777,735 S \* 1/2017 Kim ..... D14/485
- D785,017 S \* 4/2017 Wang ..... D14/486
- D785,658 S \* 5/2017 Moroney ..... D14/486

(Continued)

*Primary Examiner* — Daniel J Domino

(74) *Attorney, Agent, or Firm* — JCIPRNET

(57) **CLAIM**

The ornamental design for a display screen or portion thereof with graphical user interface, as shown and described.

**DESCRIPTION**

FIG. 1 is a front view of a display screen or portion thereof with animated graphical user interface showing a first image of a first embodiment of our new design;

FIG. 2 is a second image thereof;

FIG. 3 is a third image thereof;

FIG. 4 is a fourth image thereof;

FIG. 5 is a front view of a display screen or portion thereof with animated graphical user interface showing a first image of a second embodiment of our new design;

FIG. 6 is a second image thereof;

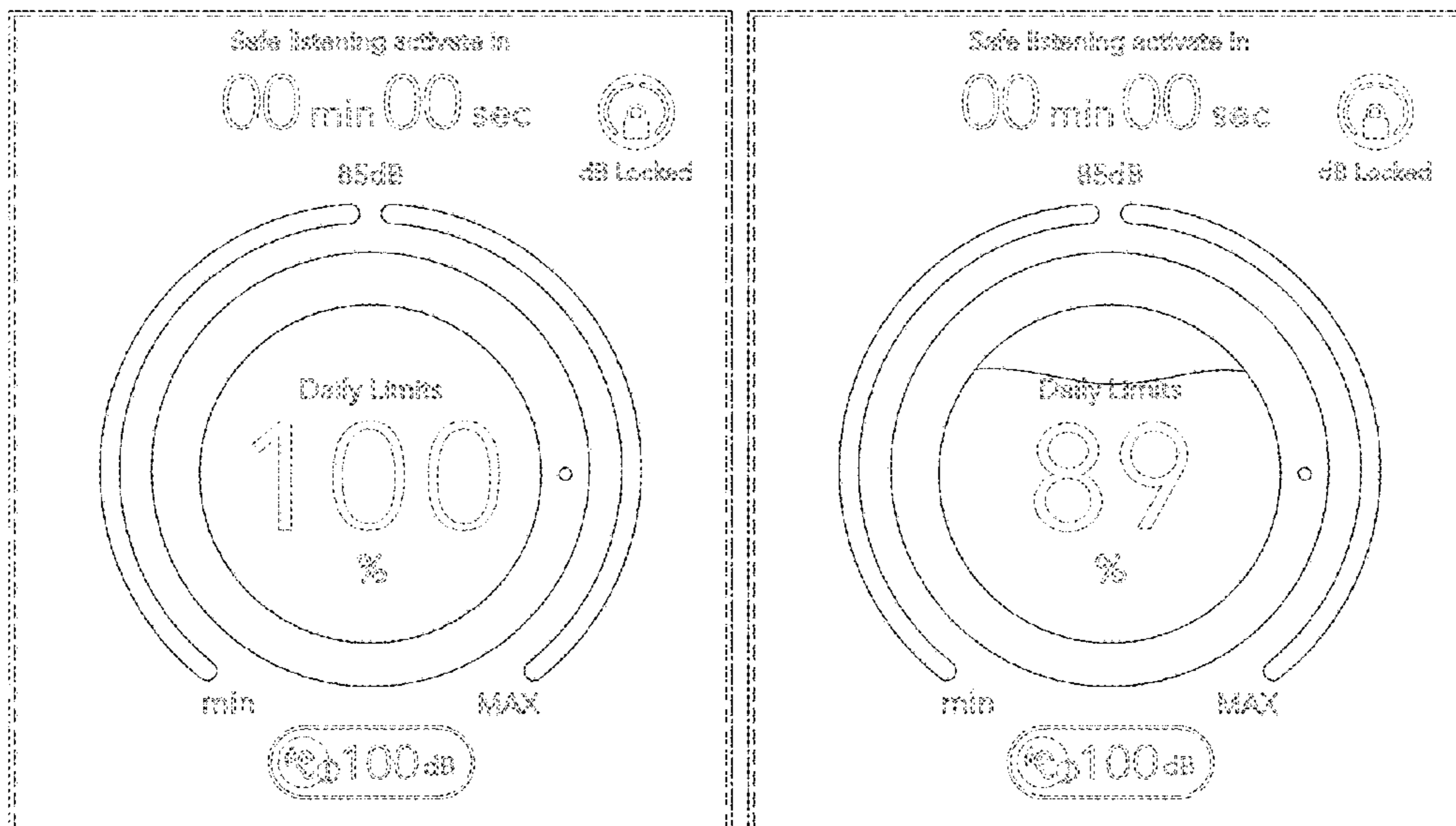
FIG. 7 is a third image thereof; and,

FIG. 8 is a fourth image thereof.

The dot-dash broken lines illustrate a display screen or portion thereof and form no part of the claimed design. The dashed broken lines illustrate portions of the graphical user interface and form no part of the claimed design.

The appearance of the transitional image sequentially transitions between the images shown in FIGS. 1-4 and FIGS. 5-8. The process or period in which one image transitions to another image forms no part of the claimed design.

**1 Claim, 8 Drawing Sheets**





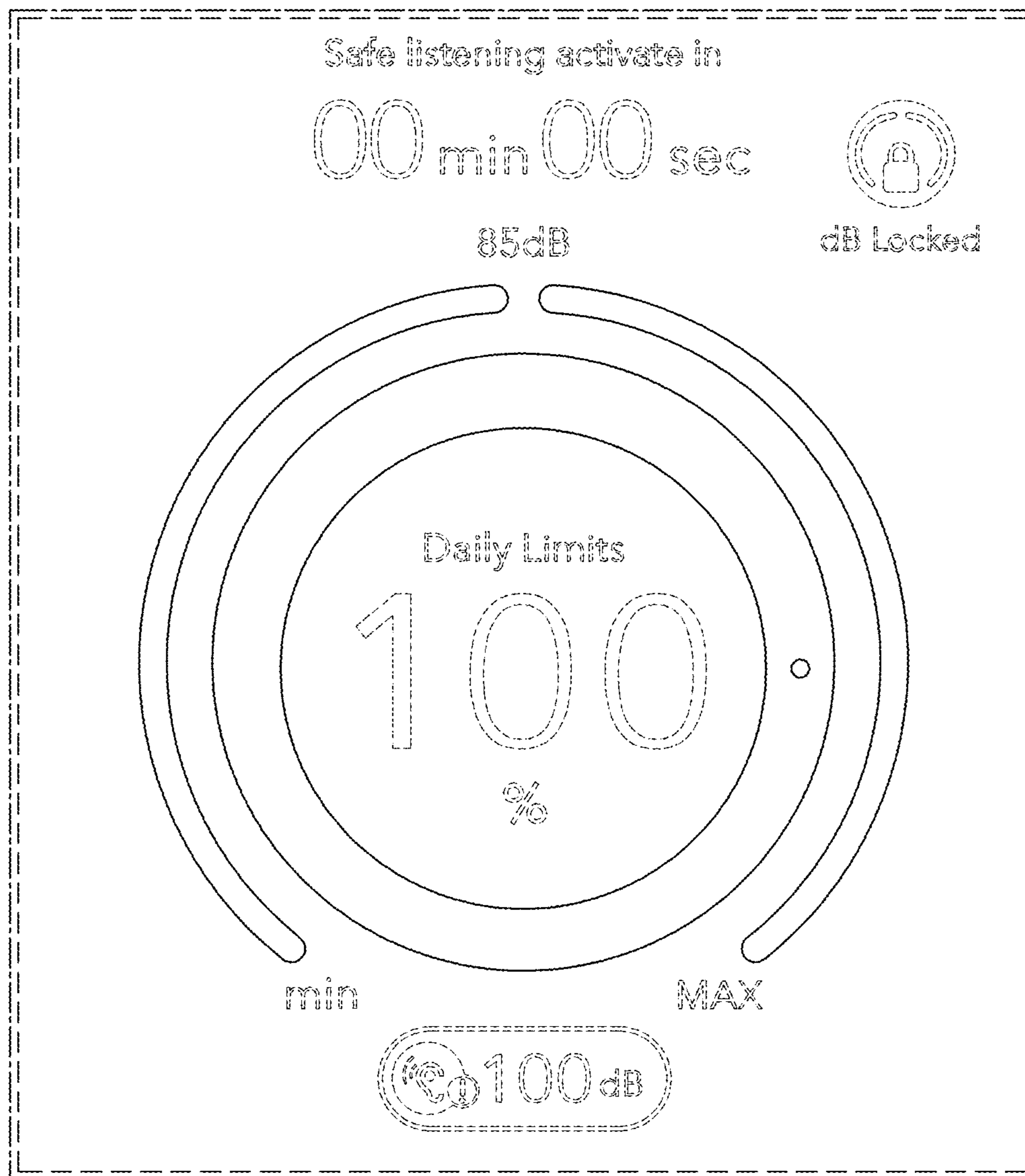


FIG. 1



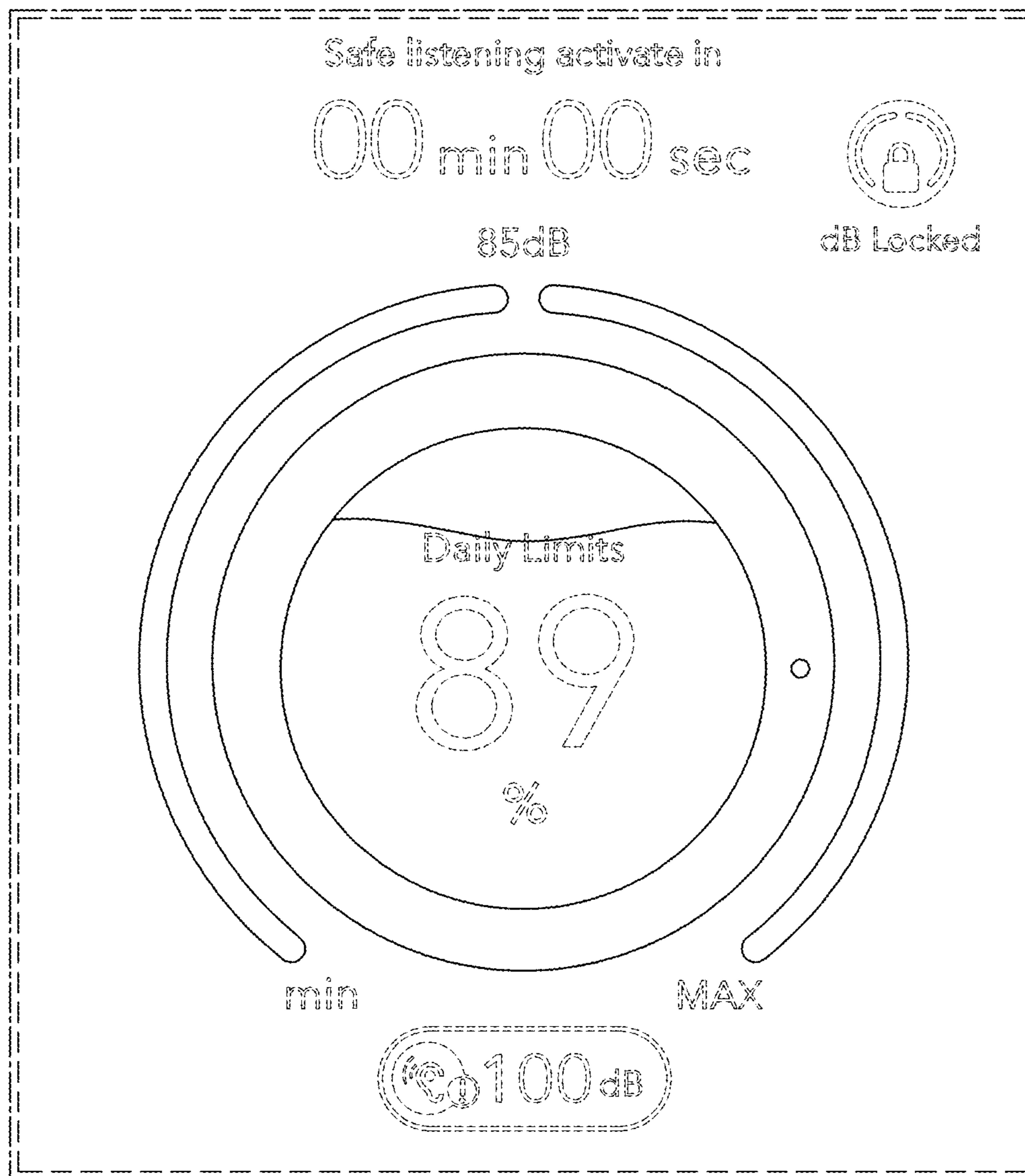


FIG. 2

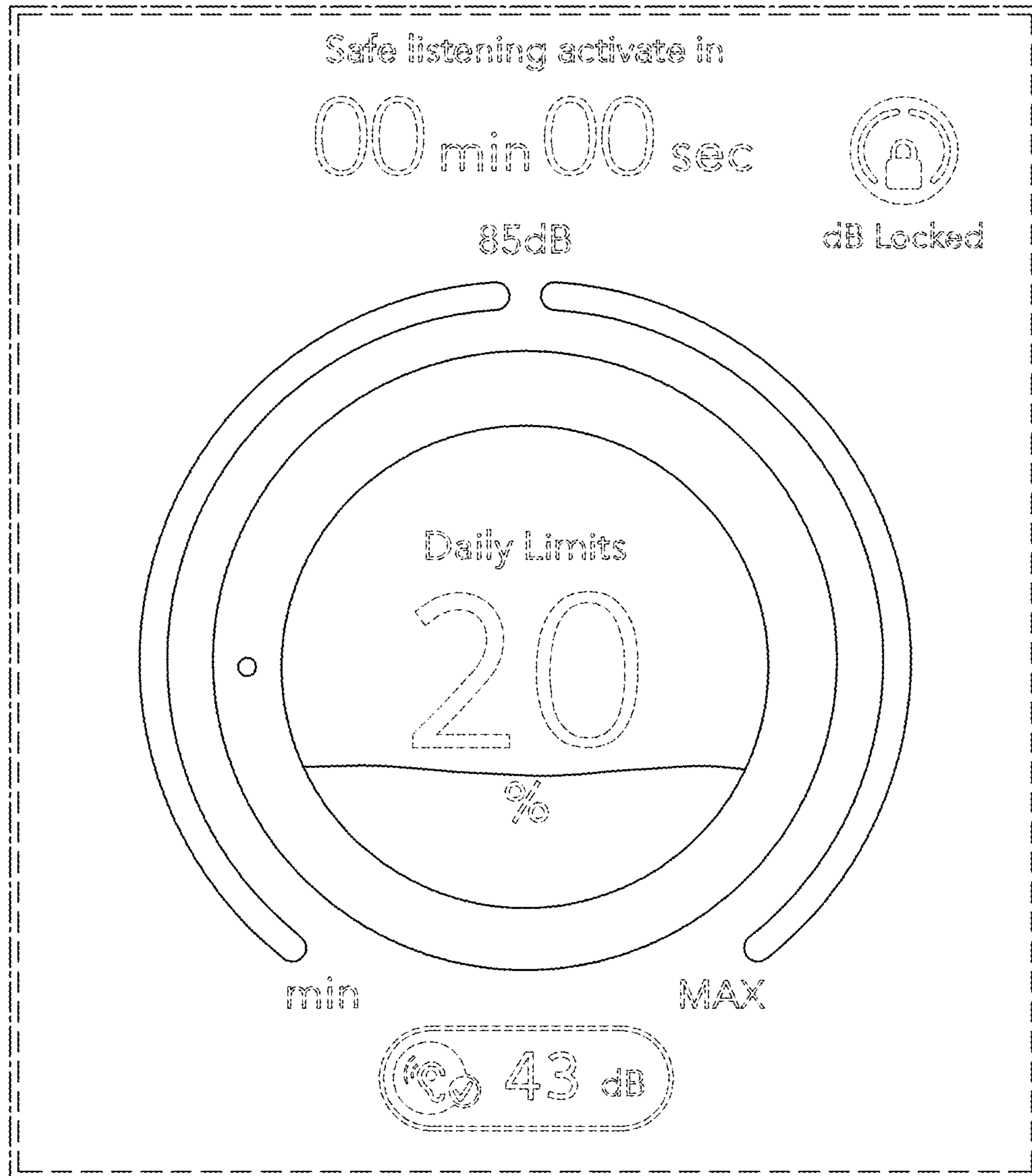


FIG. 3

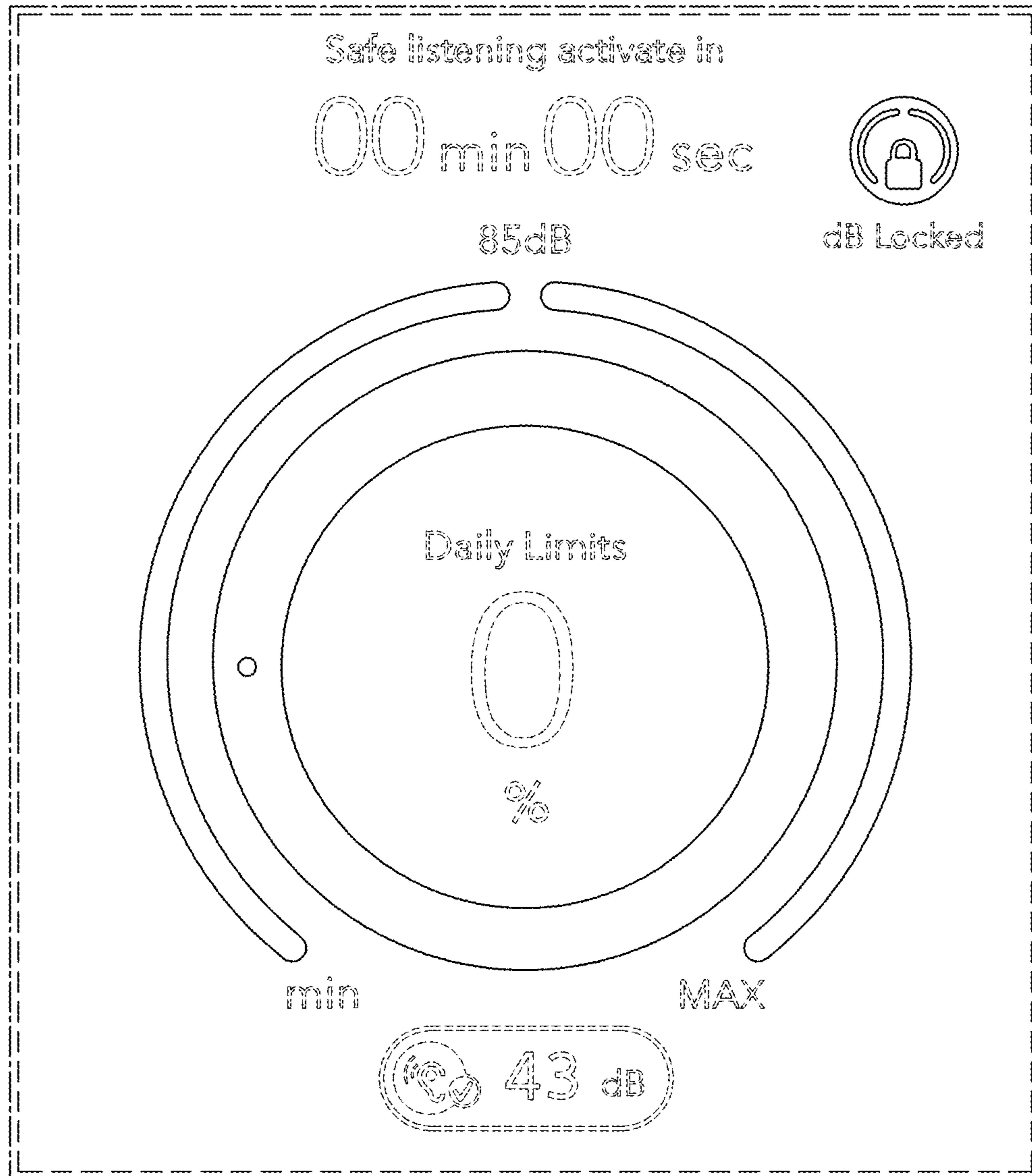


FIG. 4

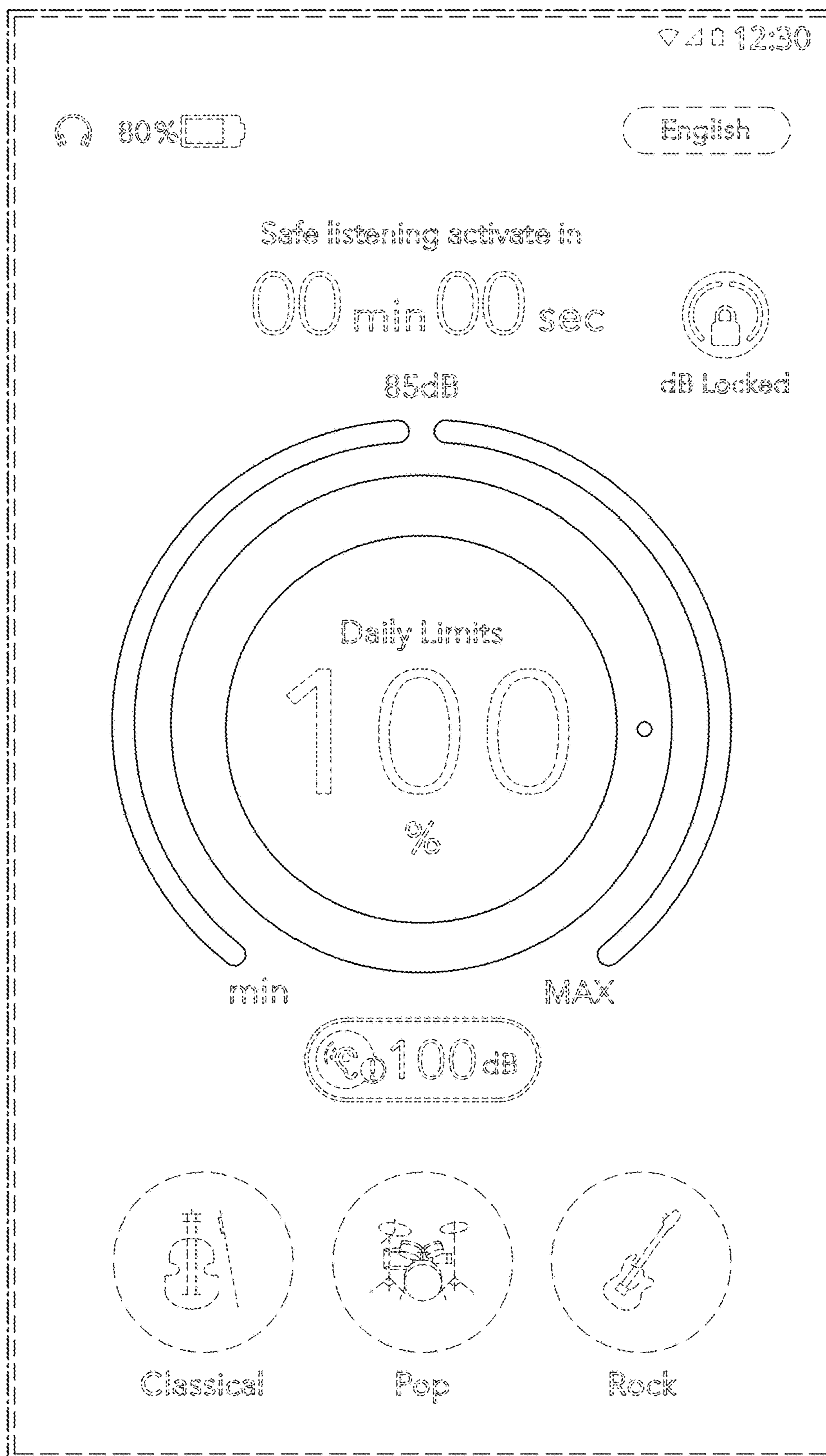


FIG. 5



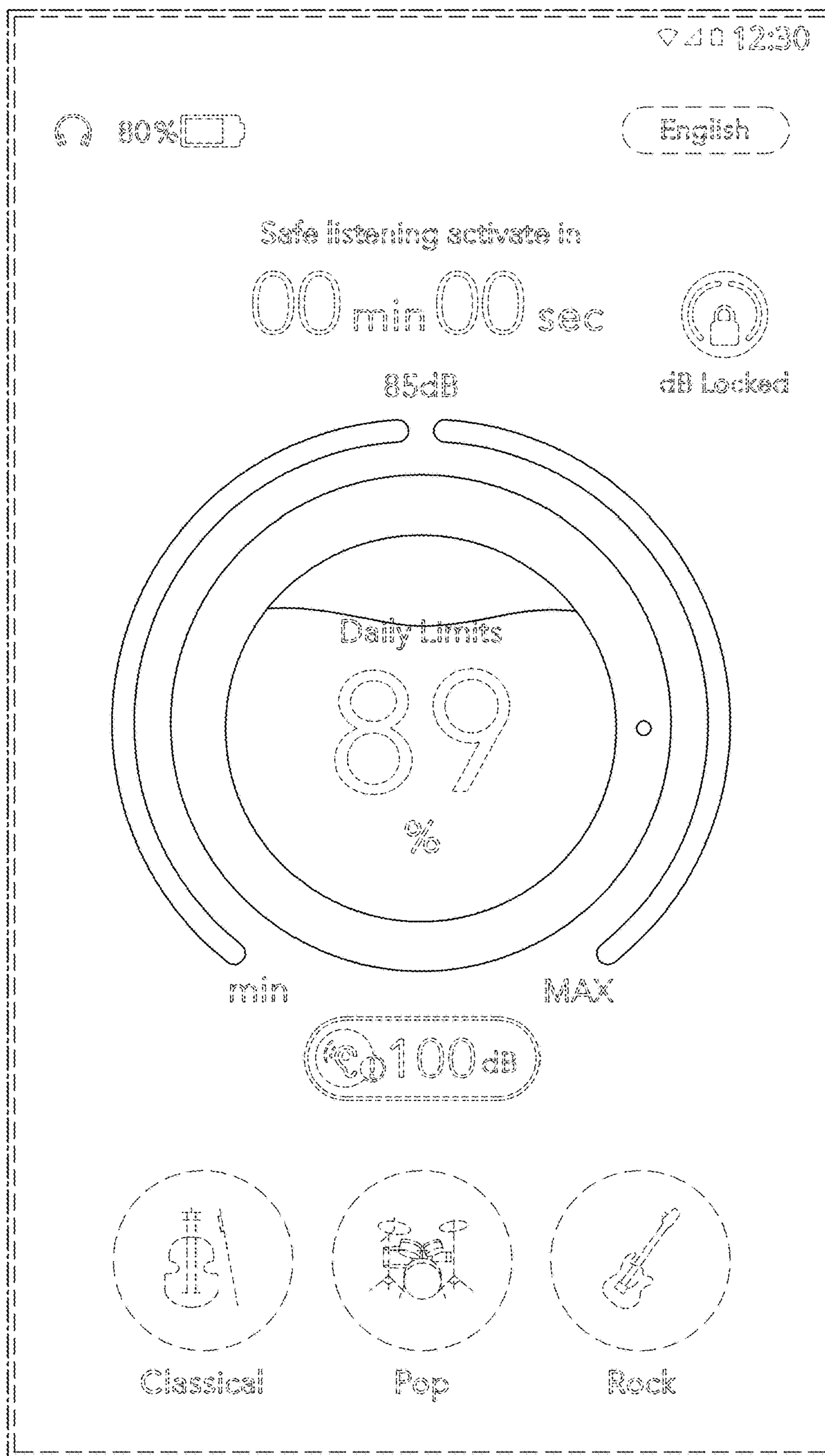


FIG. 6



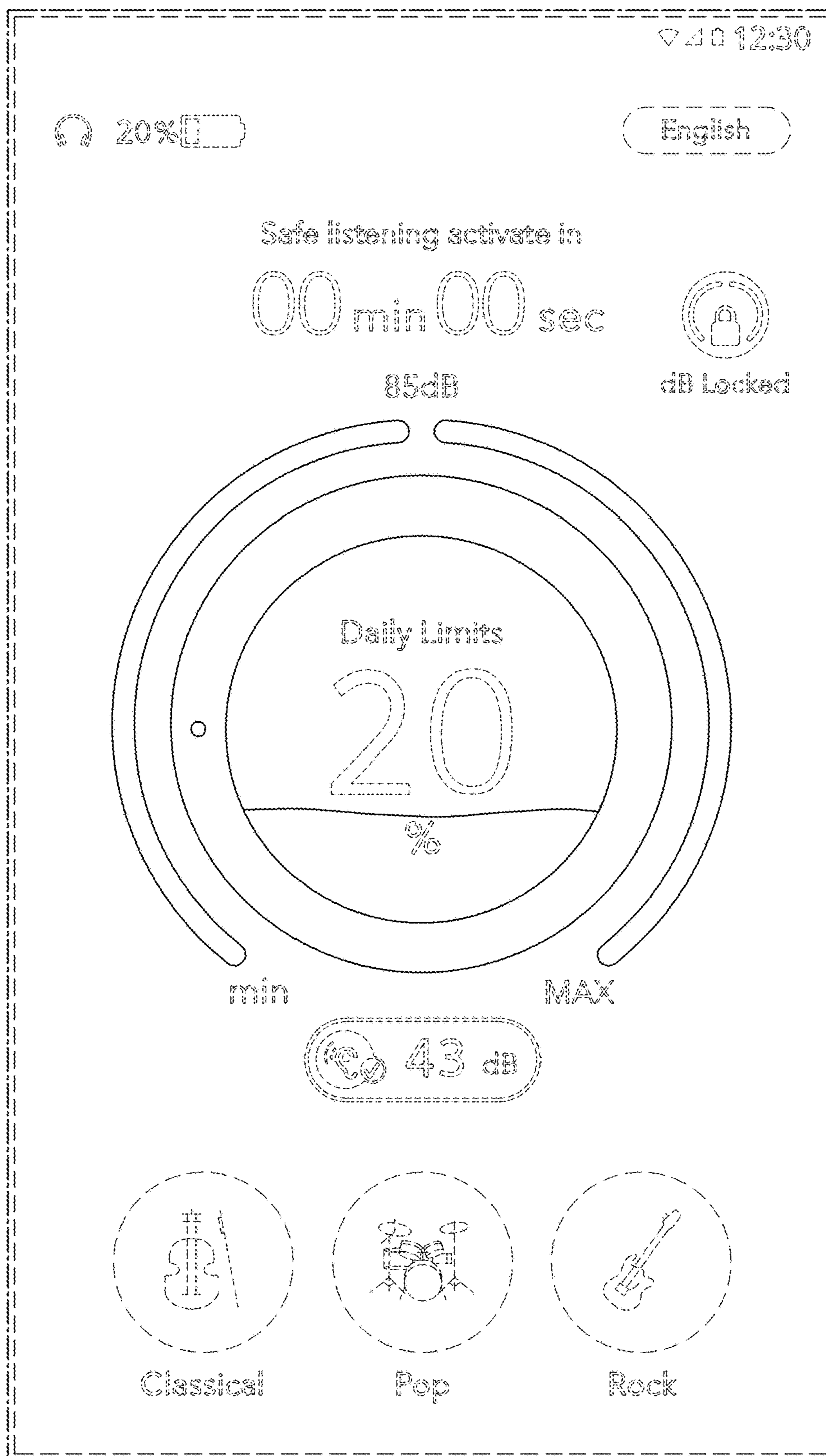


FIG. 7

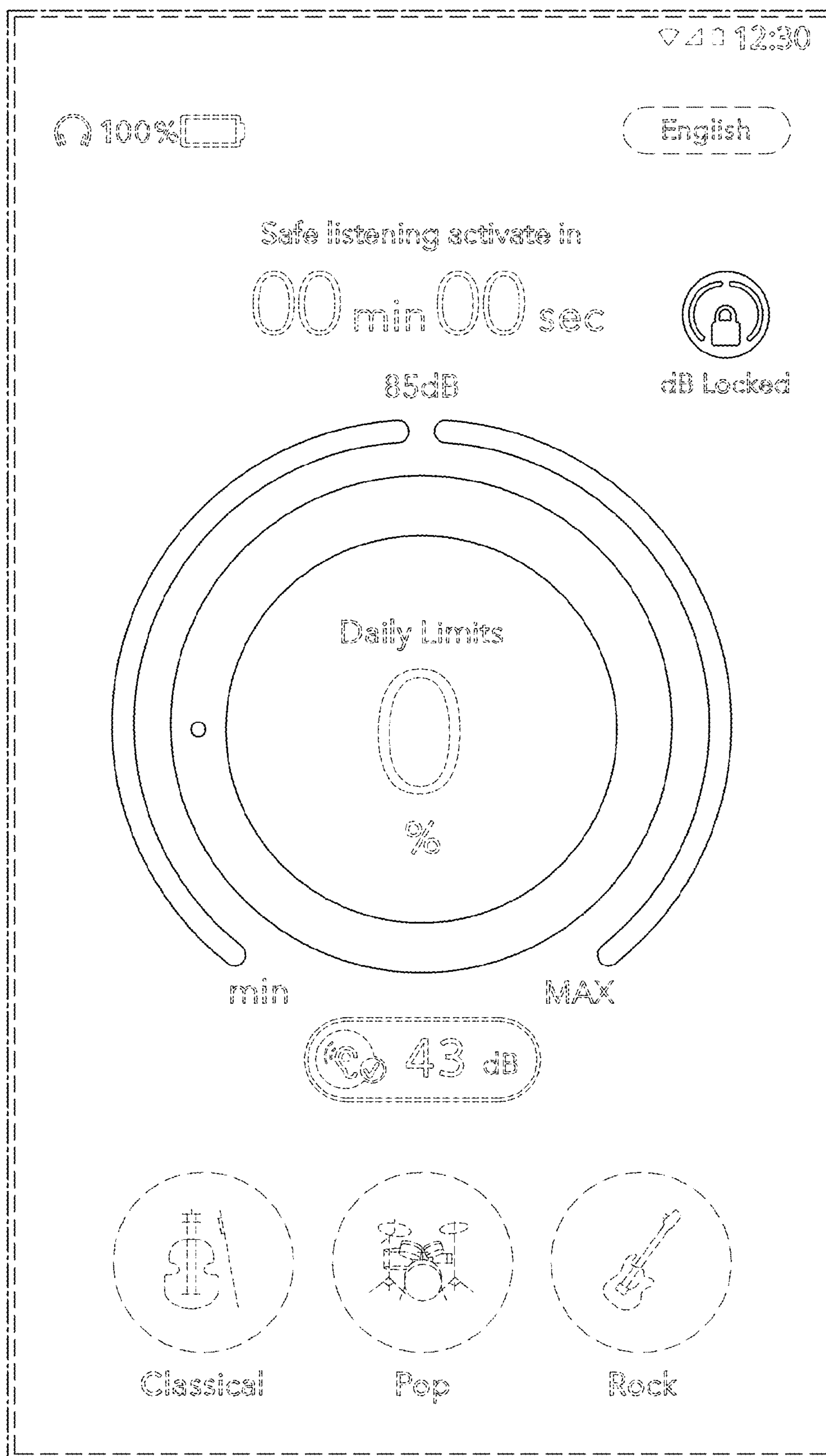


FIG. 8