



US00D879109S

(12) **United States Design Patent**
Lederer

(10) **Patent No.:** **US D879,109 S**
(45) **Date of Patent:** **** Mar. 24, 2020**

- (54) **MOBILE DEVICE STAND**
- (71) Applicant: **Broder Bros., Co.**, Trevese, PA (US)
- (72) Inventor: **Jeffrey Lederer**, Greenwich, CT (US)
- (73) Assignee: **Broder Bros., Co.**, Trevese, PA (US)
- (**) Term: **15 Years**
- (21) Appl. No.: **29/695,938**
- (22) Filed: **Jun. 24, 2019**

D797,749 S * 9/2017 Awad D14/447
 D799,468 S * 10/2017 Chen D14/253
 D824,913 S * 8/2018 Bidwell D14/447

(Continued)

Primary Examiner — Angela J Lee
 (74) *Attorney, Agent, or Firm* — Myers Wolin, LLC

(57) **CLAIM**

The ornamental design for a mobile device stand, as shown and described.

DESCRIPTION

FIG. 1 is an upper perspective view of a mobile device stand showing my new design;
 FIG. 2 is an upper perspective view thereof taken from a different orientation;
 FIG. 3 is a lower perspective view thereof;
 FIG. 4 is a lower perspective view thereof taken from a different orientation;
 FIG. 5 is a top plan view thereof;
 FIG. 6 is a front elevational view thereof, the rear, left and right side elevational views being identical;
 FIG. 7 is a bottom plan view thereof;
 FIG. 8 is a side elevational view thereof shown in a use condition;
 FIG. 9 is a side elevational view thereof shown in an alternate position;
 FIG. 10 is a lower perspective view thereof;
 FIG. 11 is an upper perspective view thereof;
 FIG. 12 is a side elevational view thereof shown in a use condition;
 FIG. 13 is a side elevational view thereof shown in an alternate position and a use condition; and,
 FIG. 14 is a side elevational view thereof shown in an alternate position and a use condition.
 Certain broken lines show portions of the mobile device stand that form no part of the claimed design, and certain broken lines show the environment of a use condition that form no part of the claimed design

Related U.S. Application Data

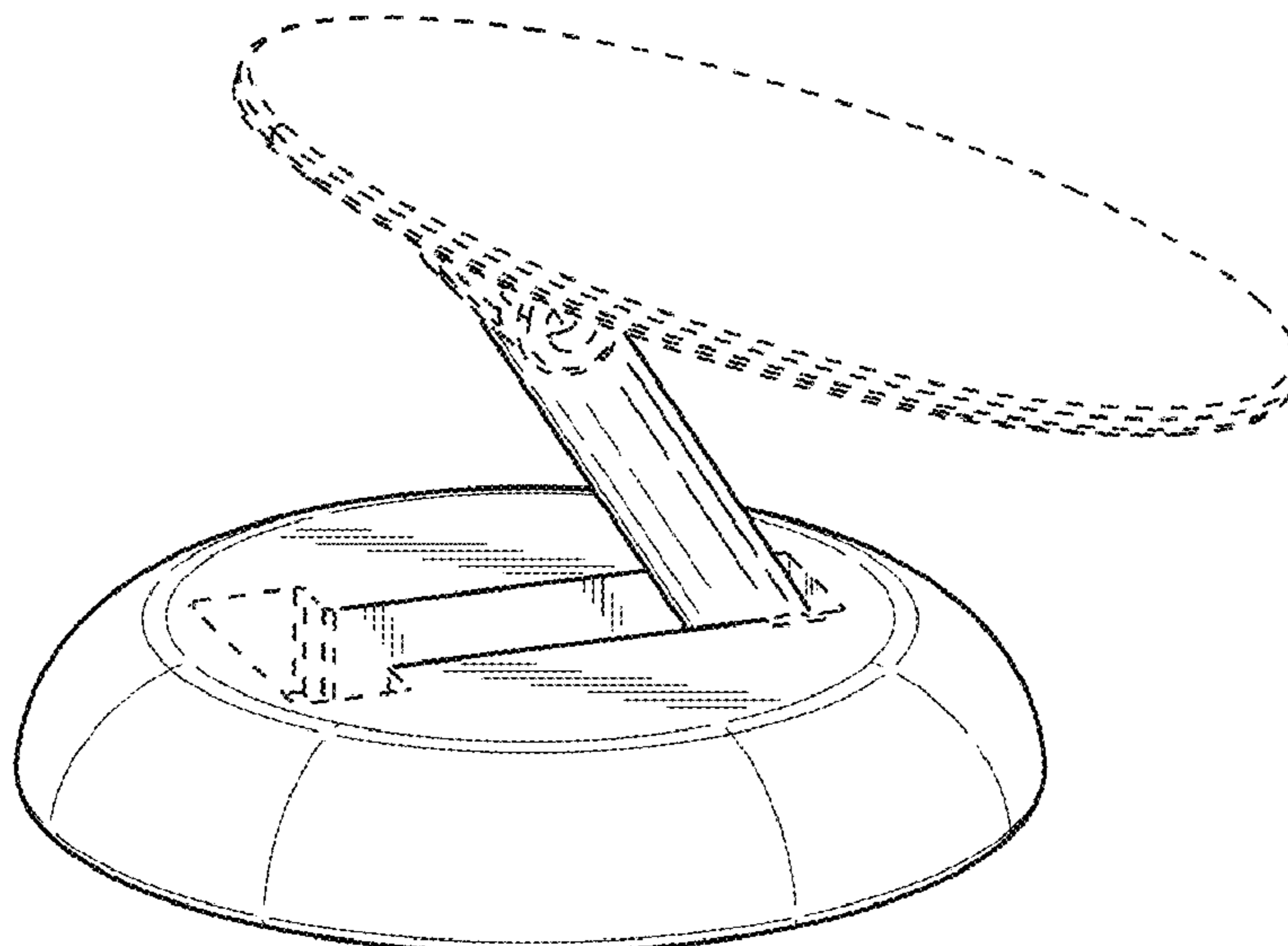
- (63) Continuation of application No. 29/660,456, filed on Aug. 21, 2018.
- (51) **LOC (12) Cl.** **08-07**
- (52) **U.S. Cl.**
USPC **D14/447**
- (58) **Field of Classification Search**
USPC D14/447, 432, 434, 439, 440, 451, 452, D14/457, 239; D8/363, 373, 380; D6/406.3, 406.4, 406.5, 406.6; D12/415
CPC A47B 21/04; A47B 2097/006; A47B 2097/005; A47B 2023/049; A45C 2011/002; A45C 2011/003; F16M 2200/00; F16M 13/00
See application file for complete search history.

(56) **References Cited**

U.S. PATENT DOCUMENTS

- D589,964 S * 4/2009 Heggland D14/434
- D678,296 S * 3/2013 Lakraa D14/447
- D690,306 S * 9/2013 Malisse D14/447
- 8,560,031 B2 10/2013 Barnett et al.
- D733,156 S * 6/2015 Choi D14/447
- D733,157 S * 6/2015 Kim D14/447
- D749,080 S * 2/2016 Su D14/447
- D752,054 S * 3/2016 Baumann D14/447
- D768,635 S * 10/2016 Due D14/432

1 Claim, 6 Drawing Sheets



(56)

References Cited

U.S. PATENT DOCUMENTS

D833,446 S * 11/2018 Elder D14/447
D834,028 S * 11/2018 Wu D14/447

* cited by examiner

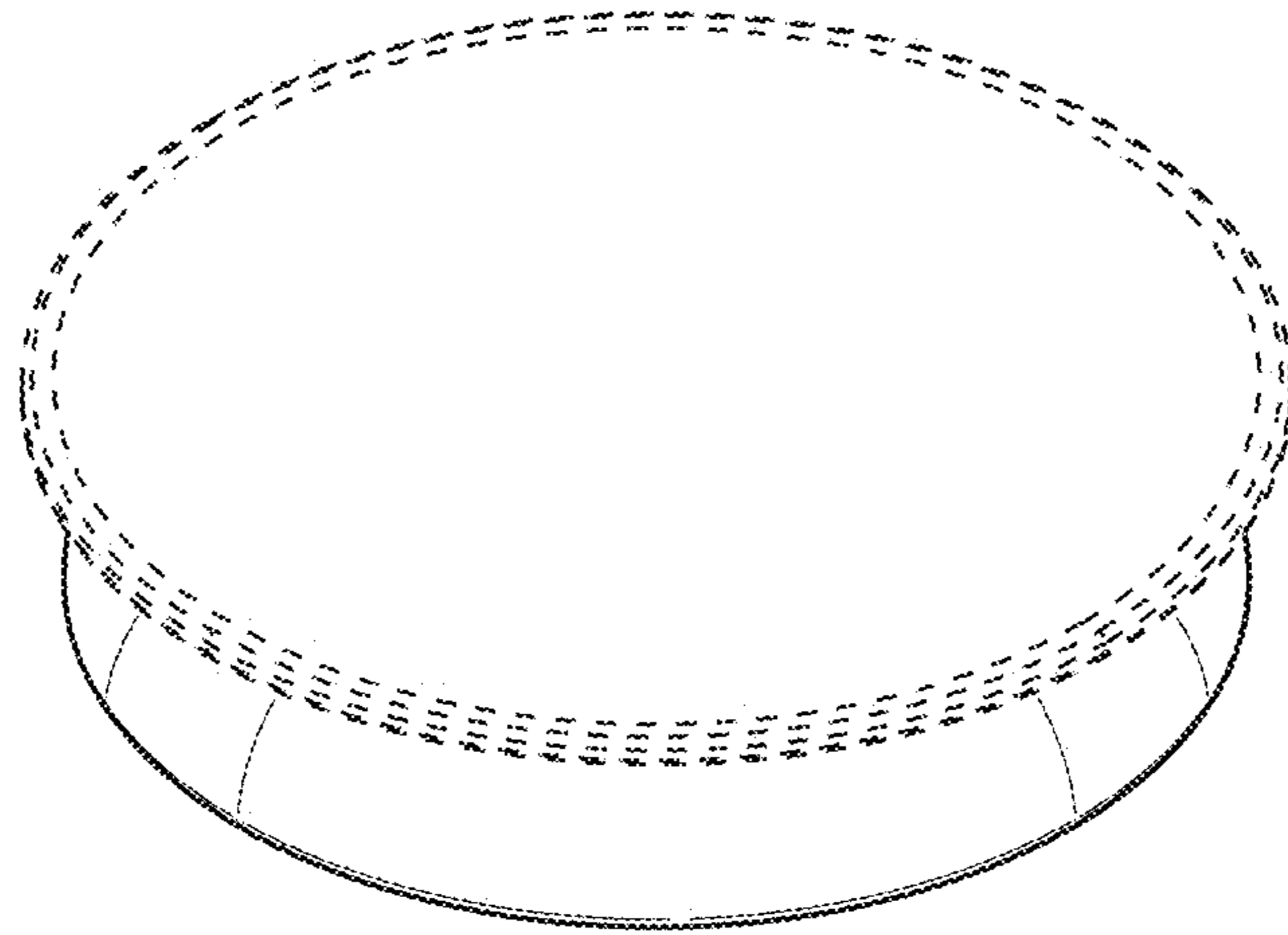


FIG. 1

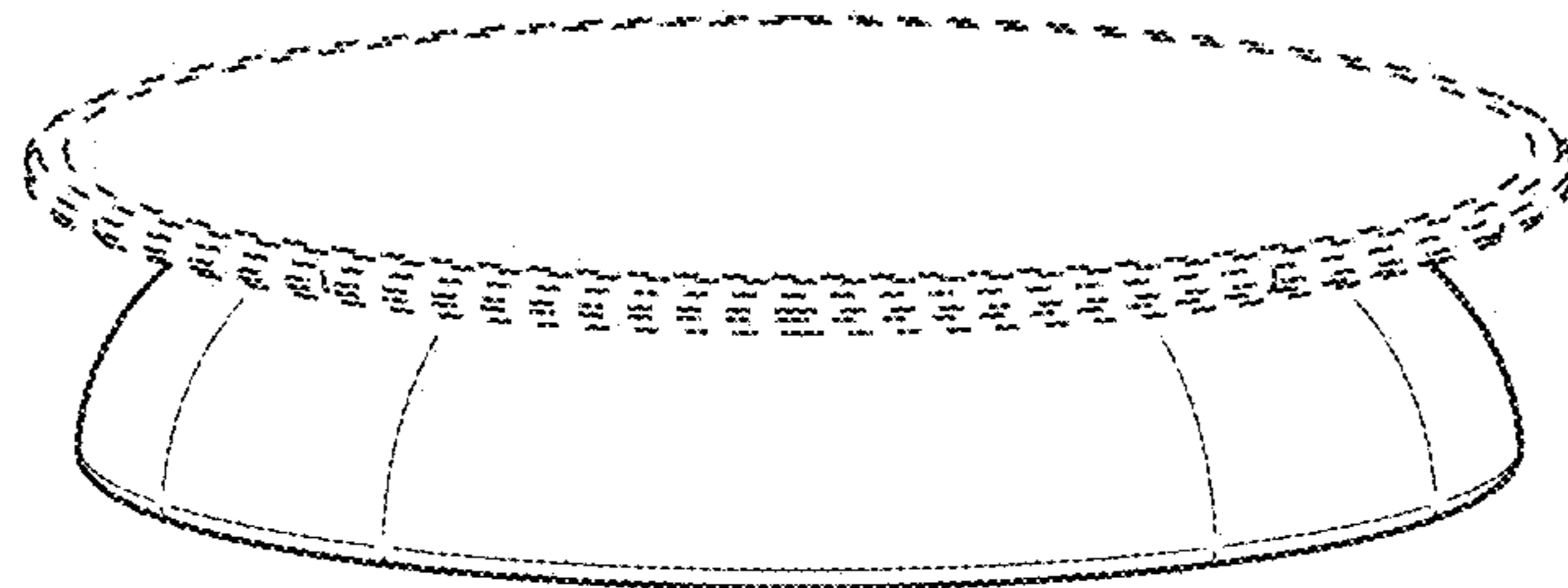


FIG. 2

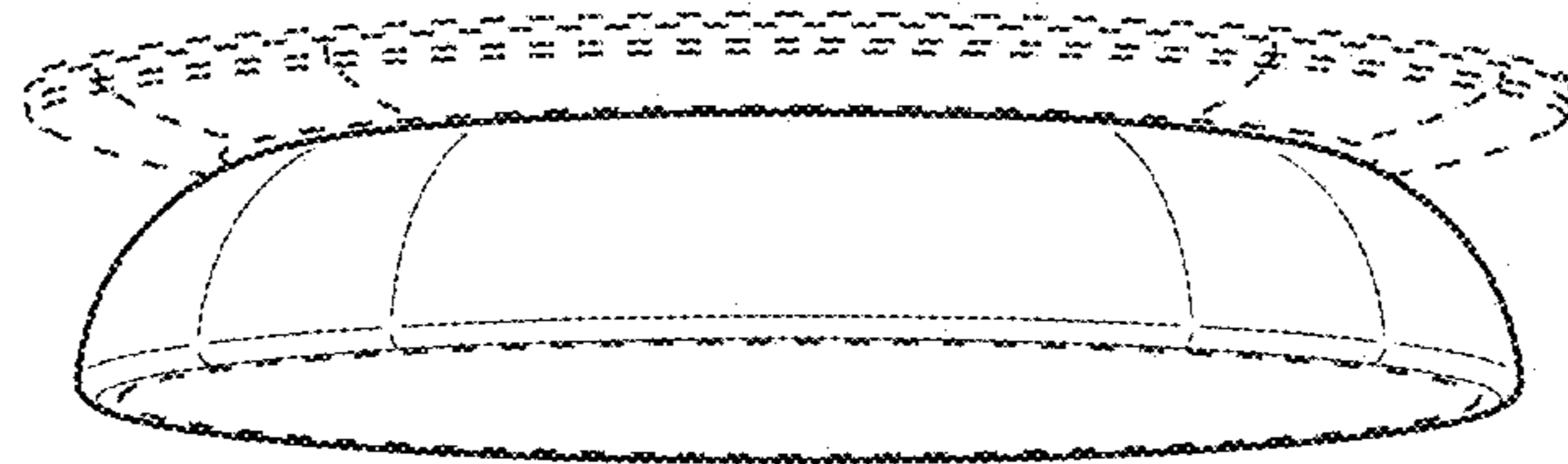


FIG. 3

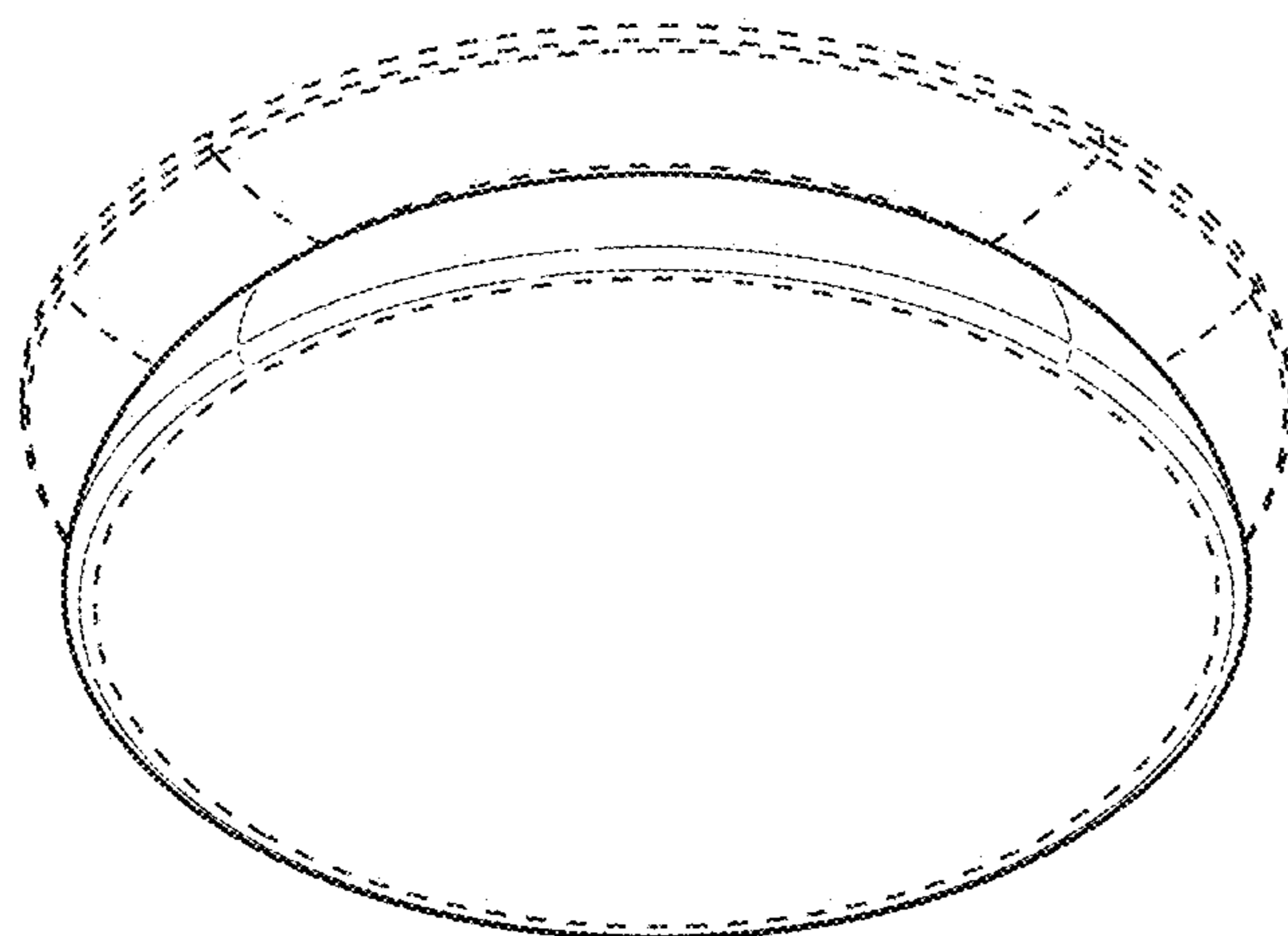


FIG. 4

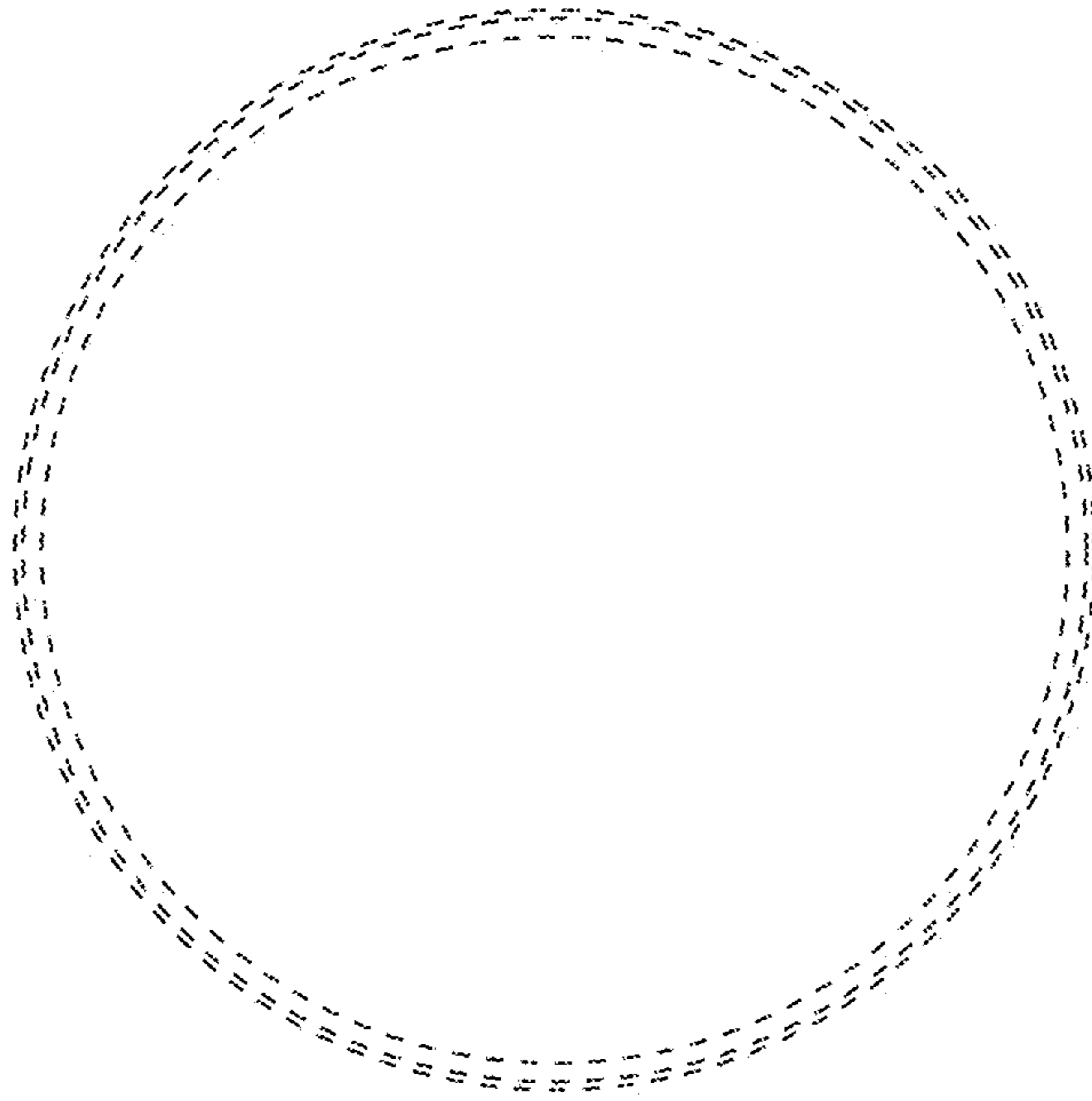


FIG. 5

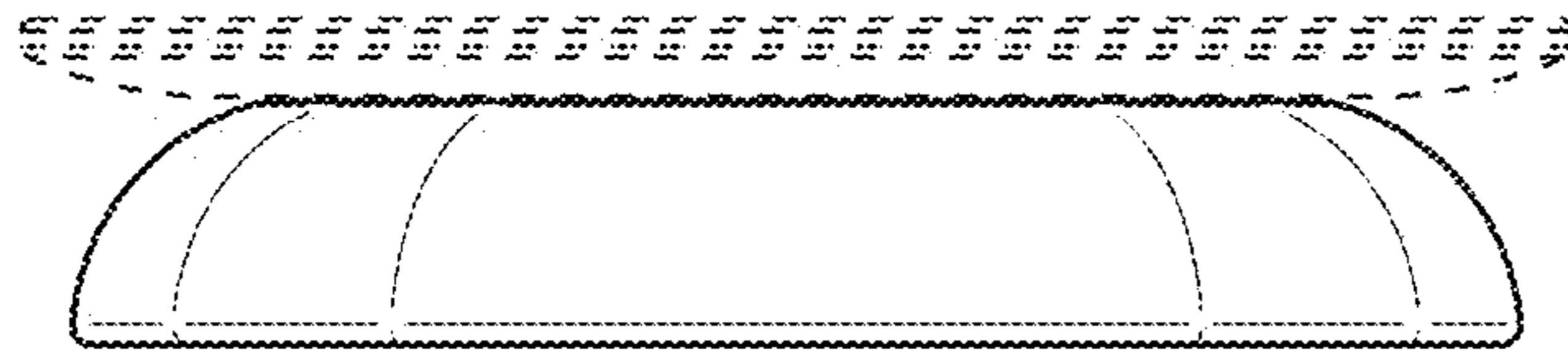


FIG. 6

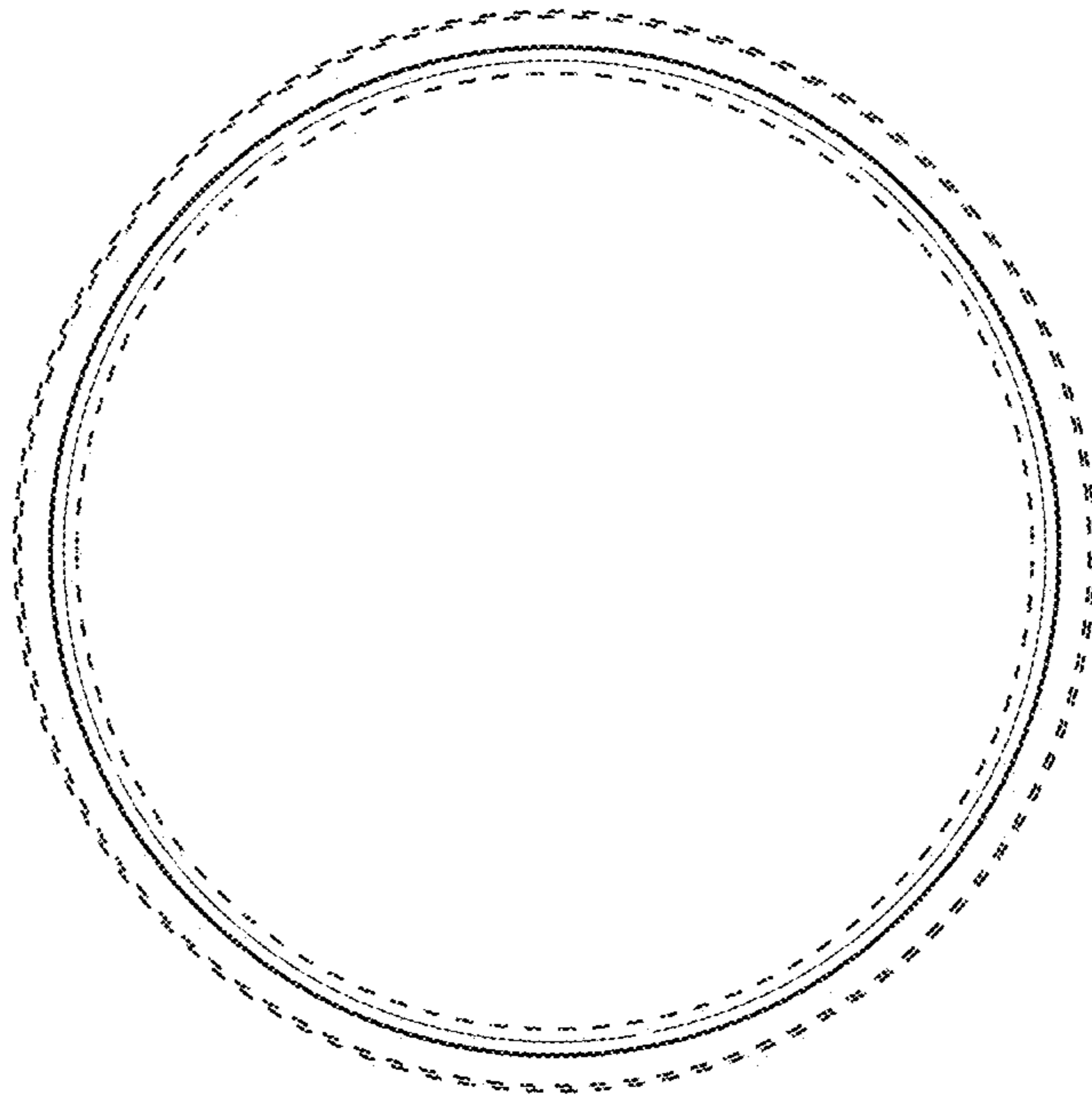


FIG. 7

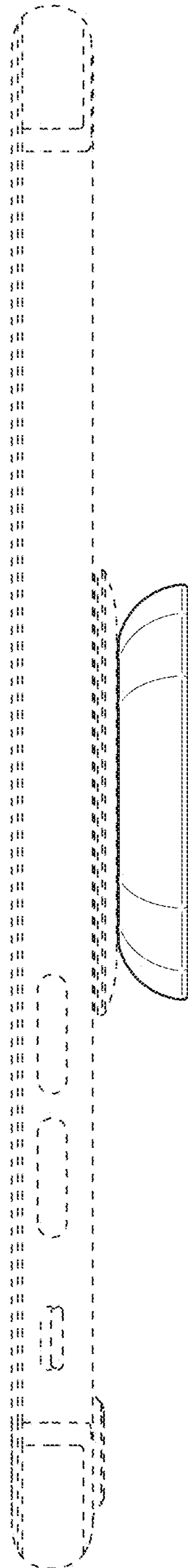


FIG. 8

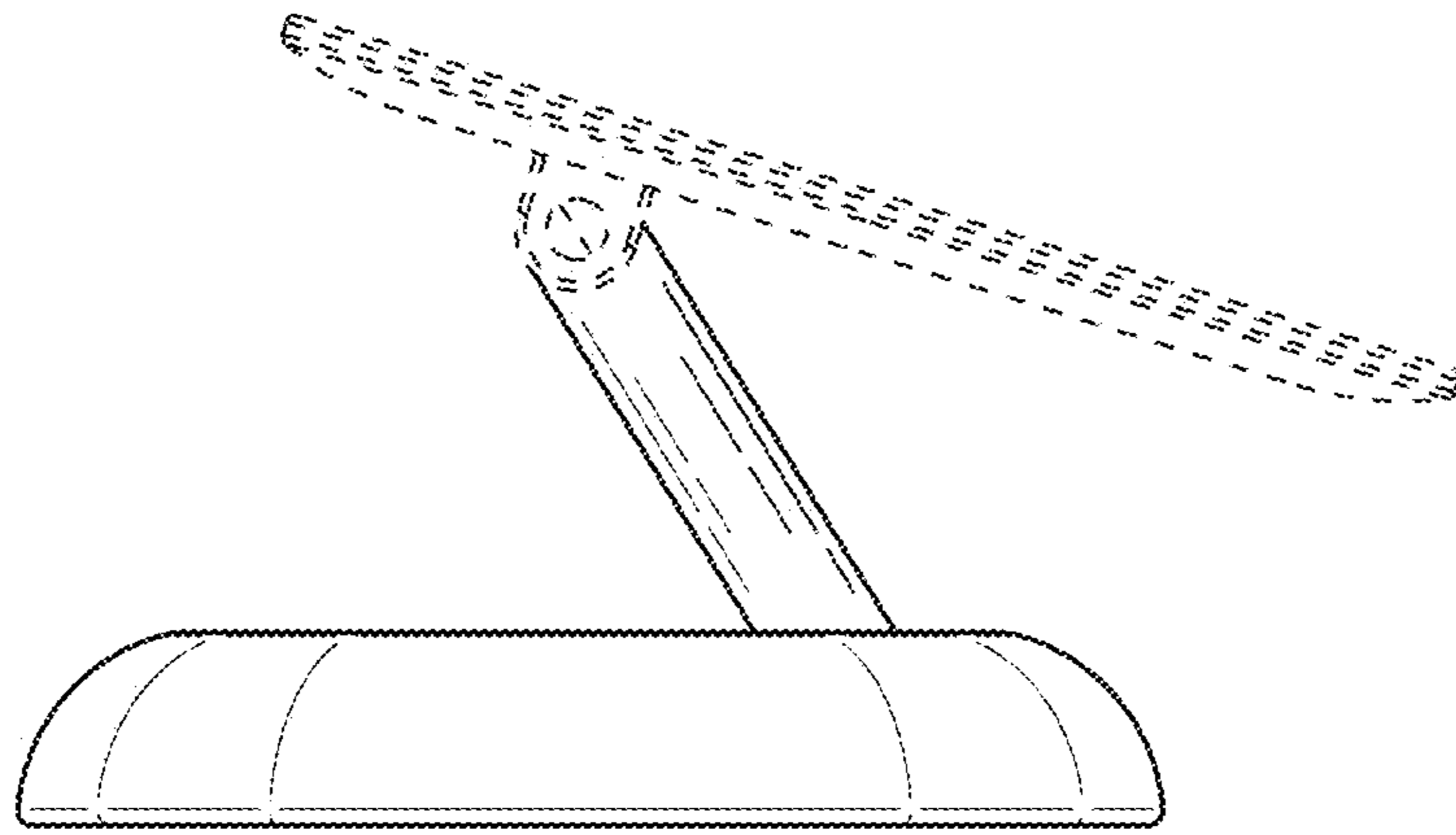


FIG. 9

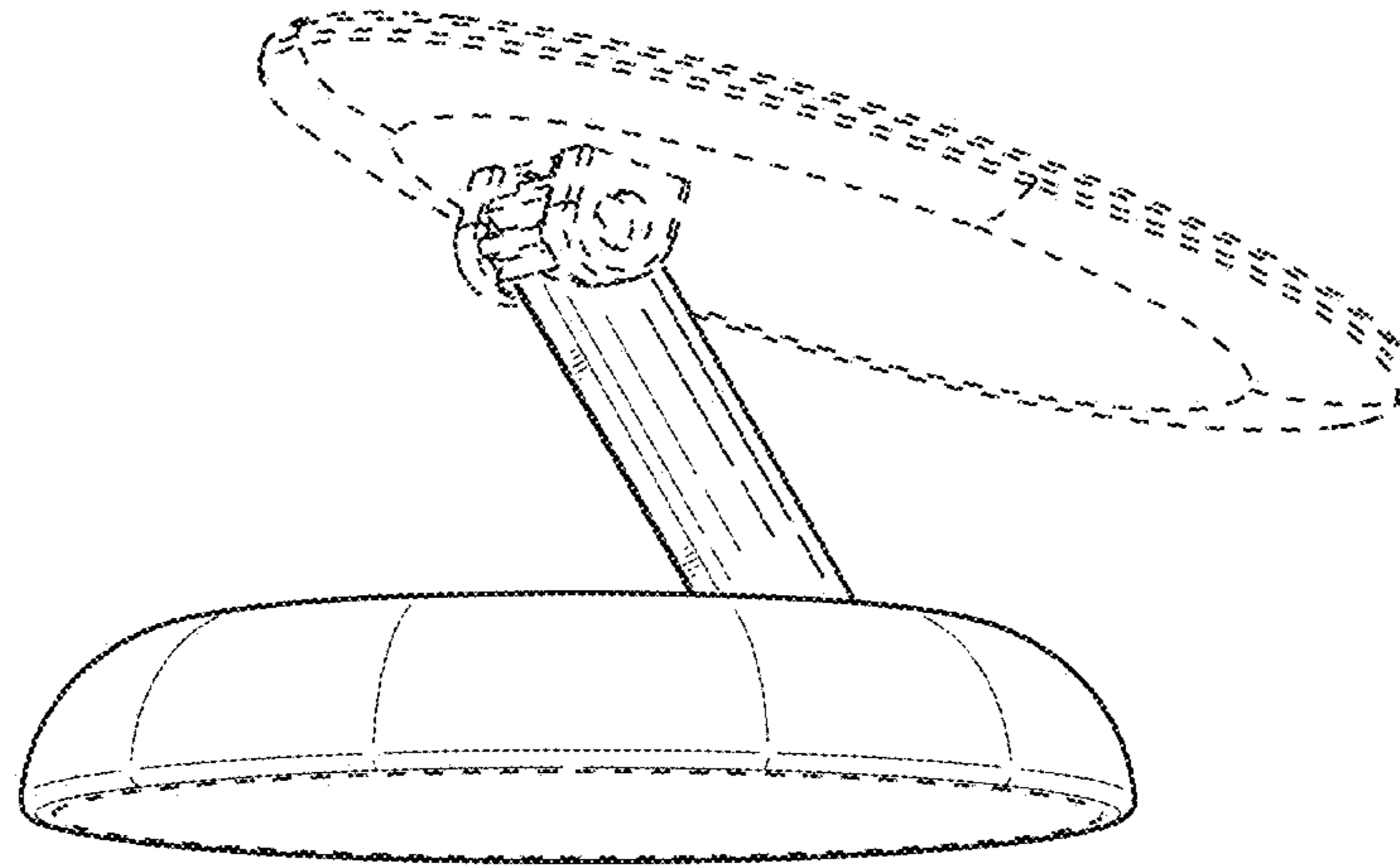


FIG. 10

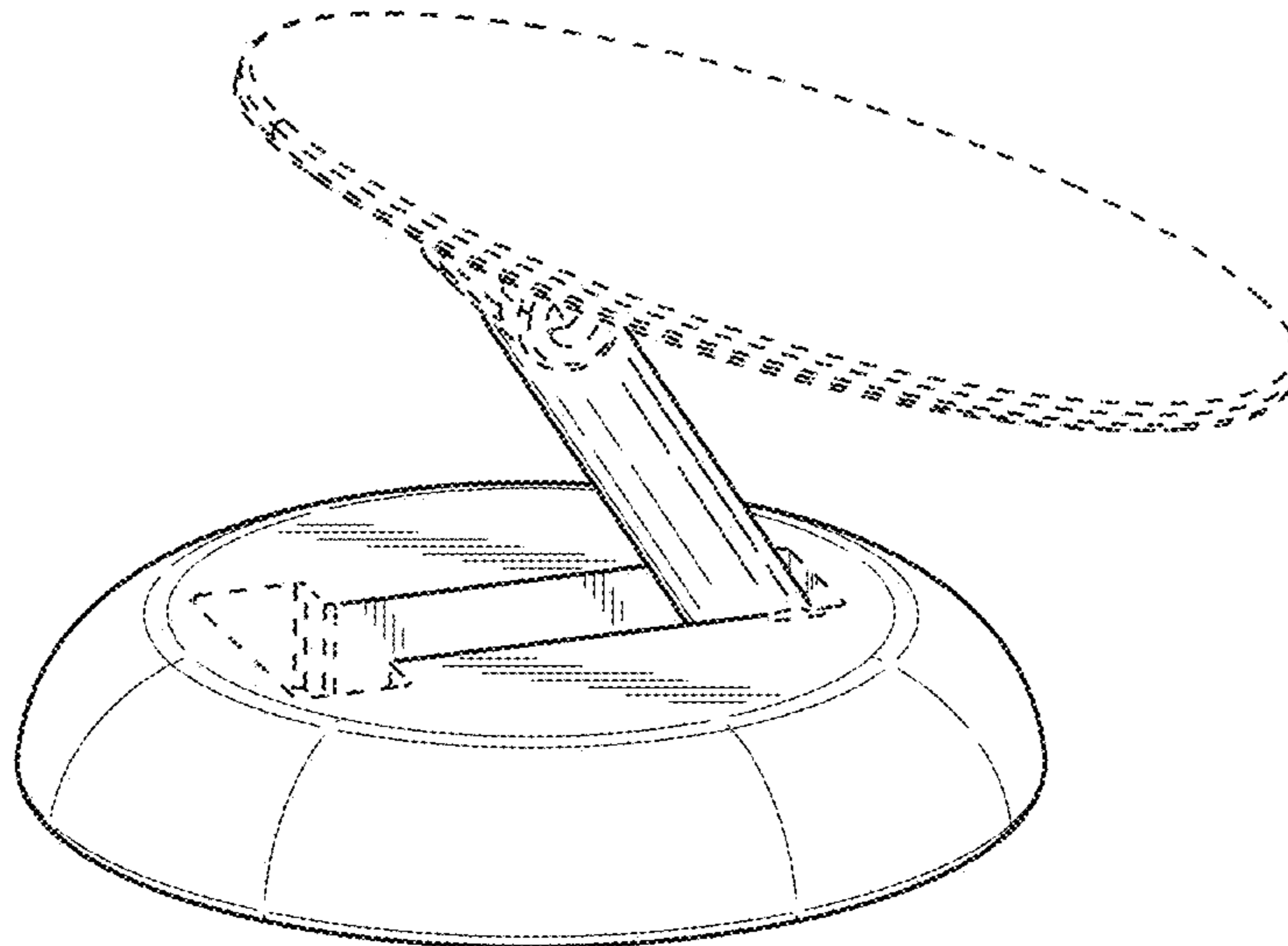


FIG. 11

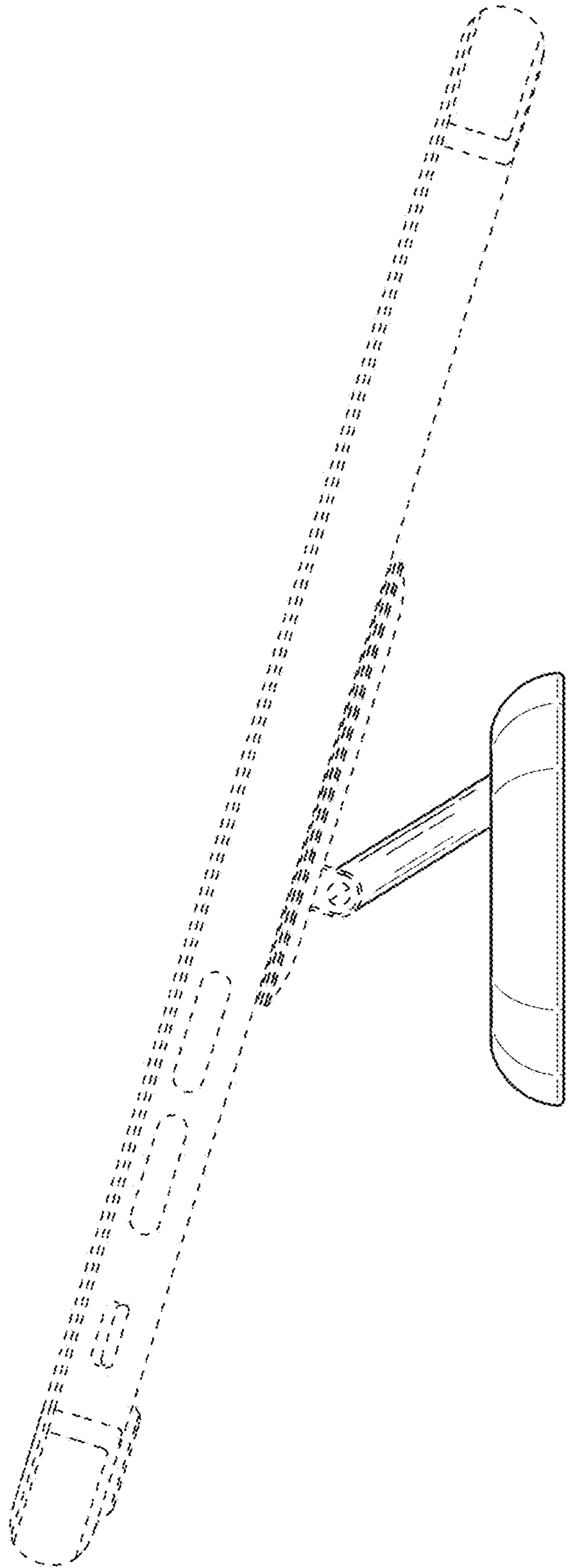


FIG. 12

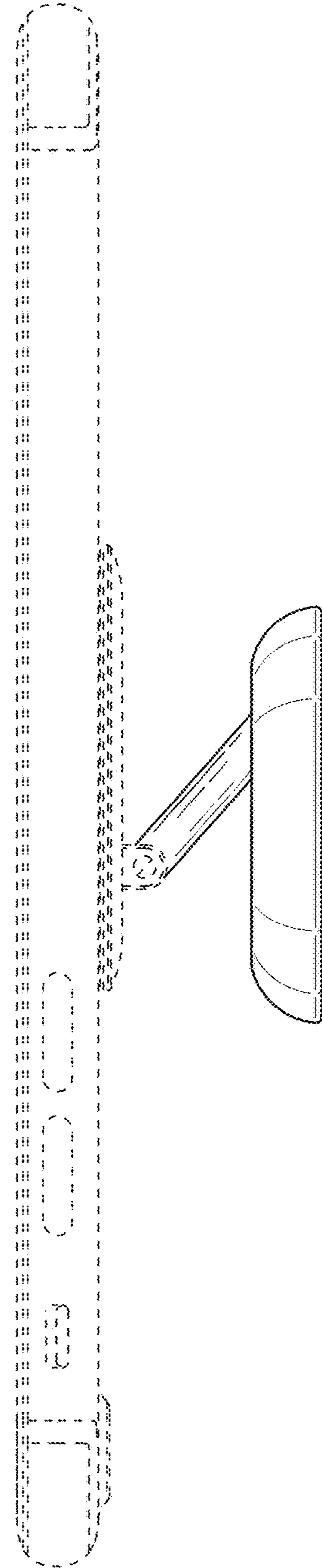


FIG. 13

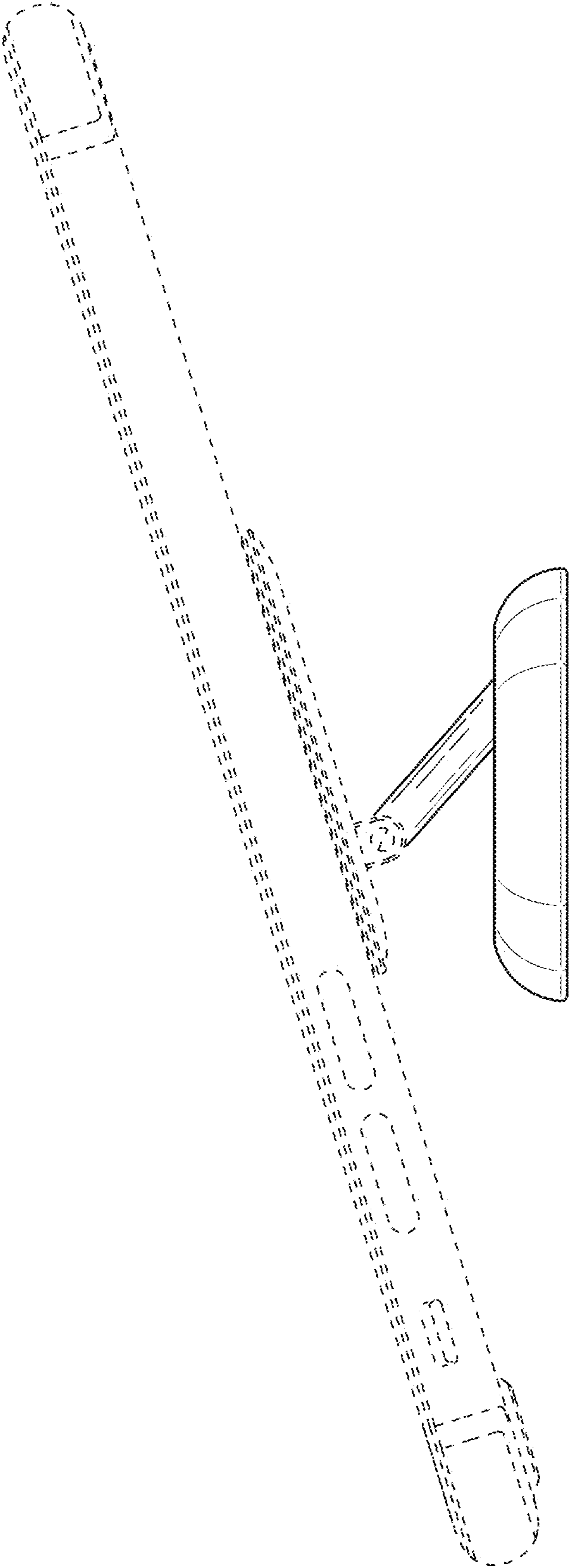


FIG. 14