



US00D879106S

(12) **United States Design Patent** (10) **Patent No.:** **US D879,106 S**
Mecchella et al. (45) **Date of Patent:** **** Mar. 24, 2020**

(54) **STAND FOR A DEVICE**

- (71) Applicant: **Amazon Technologies, Inc.**, Seattle, WA (US)
- (72) Inventors: **Monica Liane Mecchella**, San Francisco, CA (US); **Gregory Marecek**, Millbrae, CA (US)
- (73) Assignee: **Amazon Technologies, Inc.**, Seattle, WA (US)
- (**) Term: **15 Years**
- (21) Appl. No.: **29/628,191**
- (22) Filed: **Dec. 1, 2017**

Related U.S. Application Data

- (63) Continuation of application No. 29/619,025, filed on Sep. 26, 2017, now abandoned.
- (51) **LOC (12) Cl.** **14-99**
- (52) **U.S. Cl.**
USPC **D14/447**; D14/217; D14/251
- (58) **Field of Classification Search**
USPC D14/250-254, 172, 192, 203.3-203.7, D14/217, 224, 224.1, 229, 238, 238.1, D14/299, 447, 483, 451, 452, 434; D13/103, 107, 108, 119; D3/201, 218, D3/226; D16/242, 245; D10/74; D8/382, 349, 355, 363, 373, 394; D6/567; D12/415, 420, 114, 177, 223, D12/407, 417; D19/75, 77, 91
CPC .. H04M 1/026; H04M 1/0295; H04M 1/0279; H04M 1/0281; H04M 1/0283; H04B 1/3877; H04B 1/3883; H04B 1/3888; A45F 2200/0516; A45F 2200/0525; A45C 11/00; A45C 2011/002; A45C 13/1069; H05K 5/02; H05K 5/0204; H05K 5/0073; H05K 7/14; F16M 13/00; F16M 13/02; F16M 13/022; B60R 11/00; B60R 11/02; B60R 11/0241; B60R 11/0258

See application file for complete search history.

(56) **References Cited**

U.S. PATENT DOCUMENTS

- D357,170 S * 4/1995 Wellsfry D8/349
- D359,052 S * 6/1995 Nagele D14/253
- D381,571 S * 7/1997 Wu D8/354
- D430,142 S * 8/2000 Kuo D14/211
- D552,597 S * 10/2007 Solland D14/217
- D553,122 S * 10/2007 Solland D14/217

(Continued)

OTHER PUBLICATIONS

“Amazon Echo Spot Adjustable Stand Unboxing and Tour!,” Amazon Echo Spot Adjustable Stand pictured therein, YouTube online, post date Dec. 30, 2017, <URL: <https://www.youtube.com/watch?v=qOOFXbx6KBg>>, retrieved Feb. 27, 2019.*

(Continued)

Primary Examiner — Jeffrey D Asch

Assistant Examiner — Rebekah A Caruso

(74) *Attorney, Agent, or Firm* — Lee & Hayes, P.C.

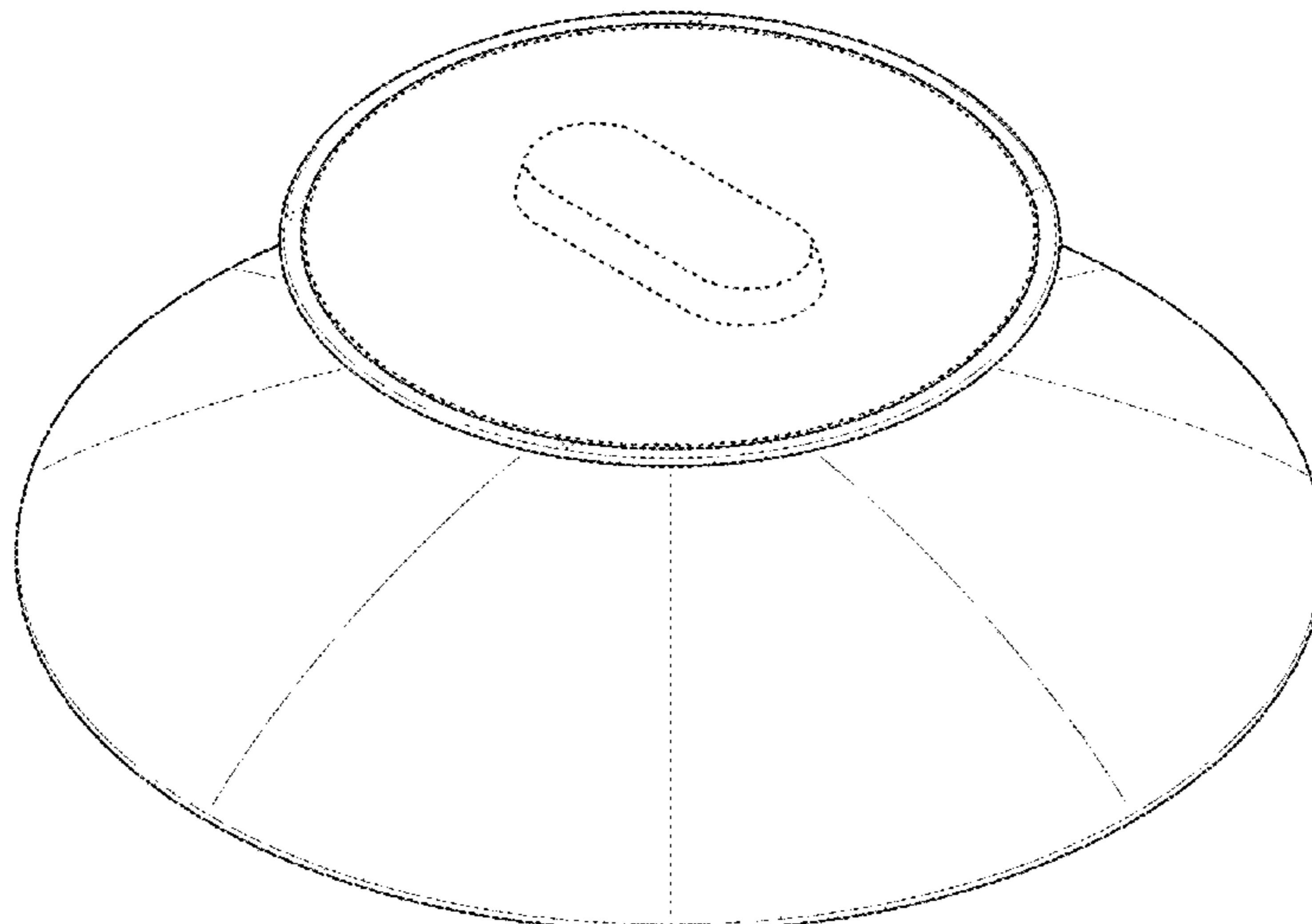
(57) **CLAIM**

The ornamental design for a stand for a device, as shown and described.

DESCRIPTION

FIG. 1 is a top perspective view of a stand for a device; FIG. 2 is a front view thereof; FIG. 3 is a back view thereof; FIG. 4 is a left-side view thereof; FIG. 5 is a right-side view thereof; FIG. 6 is a top view thereof; and, FIG. 7 is a bottom view thereof. The dashed broken lines depict portions of the stand for a device which form no part of the claimed design.

1 Claim, 7 Drawing Sheets



(56)

References Cited

U.S. PATENT DOCUMENTS

D680,541 S *	4/2013	Lee	D14/217
D711,366 S *	8/2014	Lui	D14/253
D716,133 S *	10/2014	Pan	D8/367
D727,090 S *	4/2015	St. Jacques	D7/387
8,998,158 B2 *	4/2015	St. Jacques	A01K 5/0135 248/205.5
D733,156 S *	6/2015	Choi	D14/447
D771,475 S *	11/2016	Pan	D8/367
D799,468 S *	10/2017	Chen	D14/253
D833,449 S *	11/2018	Khubani	D14/447

OTHER PUBLICATIONS

Amazon Echo Spot 3D printed stand, YouTube online, post date Jul. 4, 2018, <URL: <https://www.youtube.com/watch?v=3p1-vp5cWcE>>, retrieved Feb. 27, 2019.*

BLUERIN Echo Spot Stand, Amazon online, date first published Sep. 10, 2018, <URL: <https://www.amazon.com/BLUERIN-Viewing-Adjustment-Rotation-Magnetic/dp/B07H7ZXD9>>, retrieved Feb. 27, 2019.*

Japanese Office Action dated Dec. 7, 2018 for Japanese Patent Application No. 2018-011156, a counterpart of U.S. Appl. No. 29/628,191, 12 pages.

"I want this! Adjustment stand appears on "Amazon Echo Spot" with small display", retrieved on Jan. 7, 2019 at <<<http://web.archive.org/web/20171120070806/https://robotstart.info/2017/11/20/amazon-echo-spot-adjustable-stand.html>>>, 13 pages.

Indian Office Action dated Jun. 21, 2018 for Indian design application No. 305641, a counterpart foreign of design U.S. Appl. No. 29/628,191.

Canadian Office Action dated Feb. 12, 2019 for Canadian design application No. 181256, a counterpart foreign application of design U.S. Appl. No. 29/628,19, 2 pages.

* cited by examiner

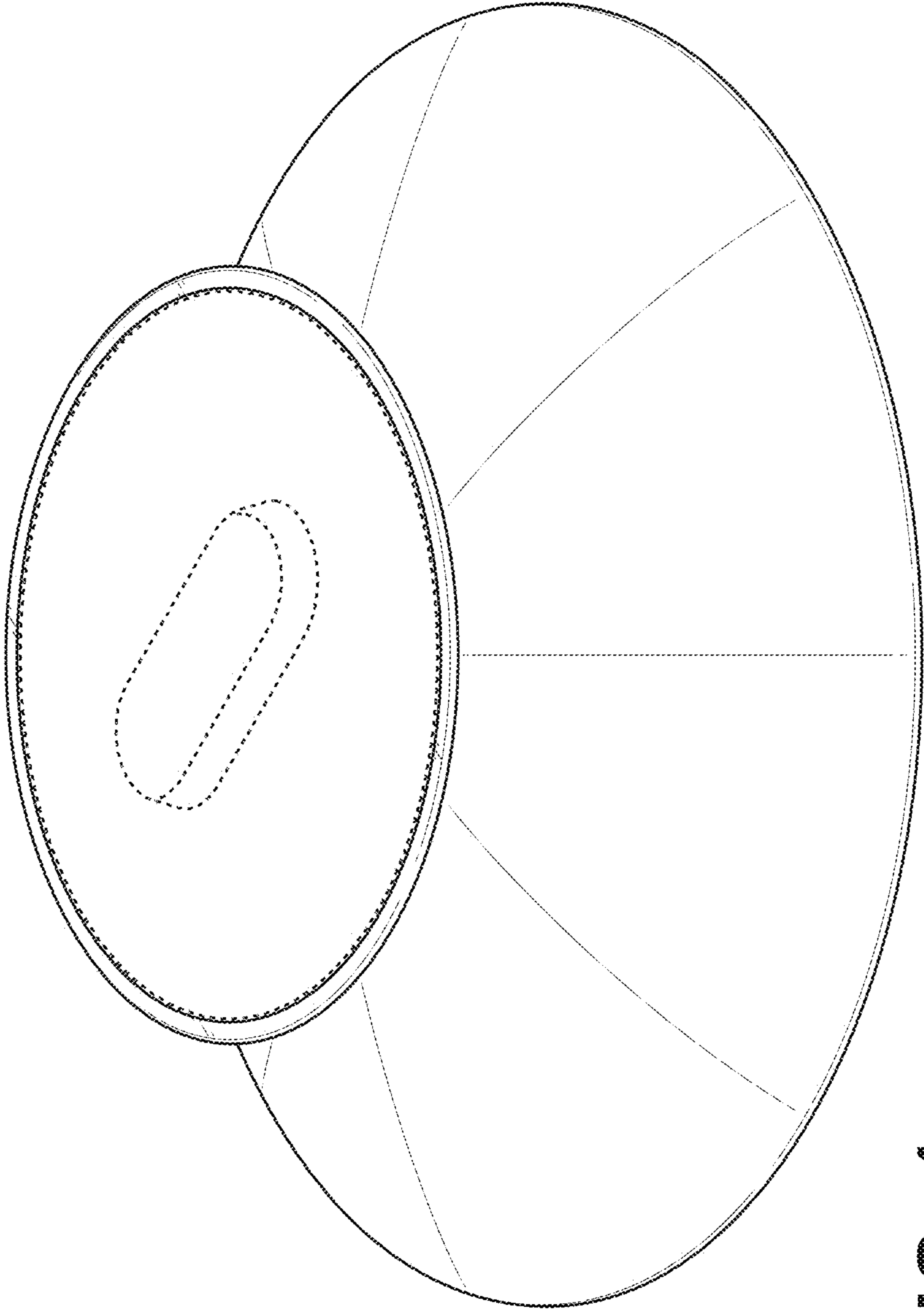


FIG. 1

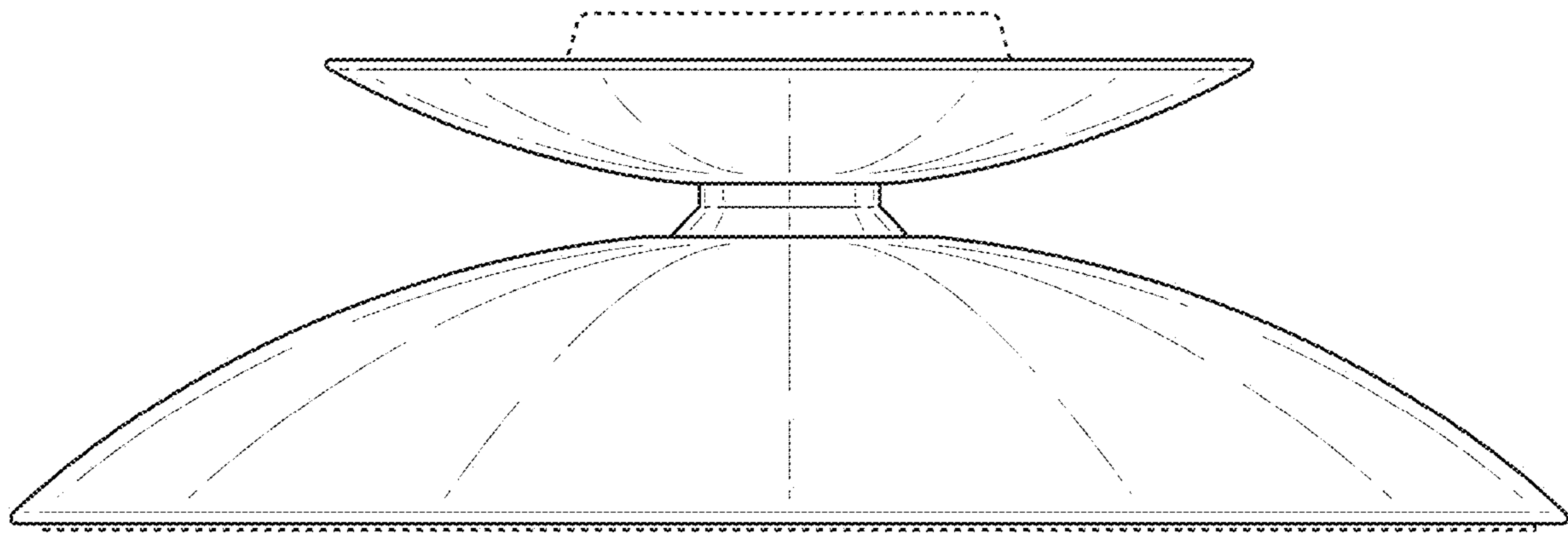


FIG. 2

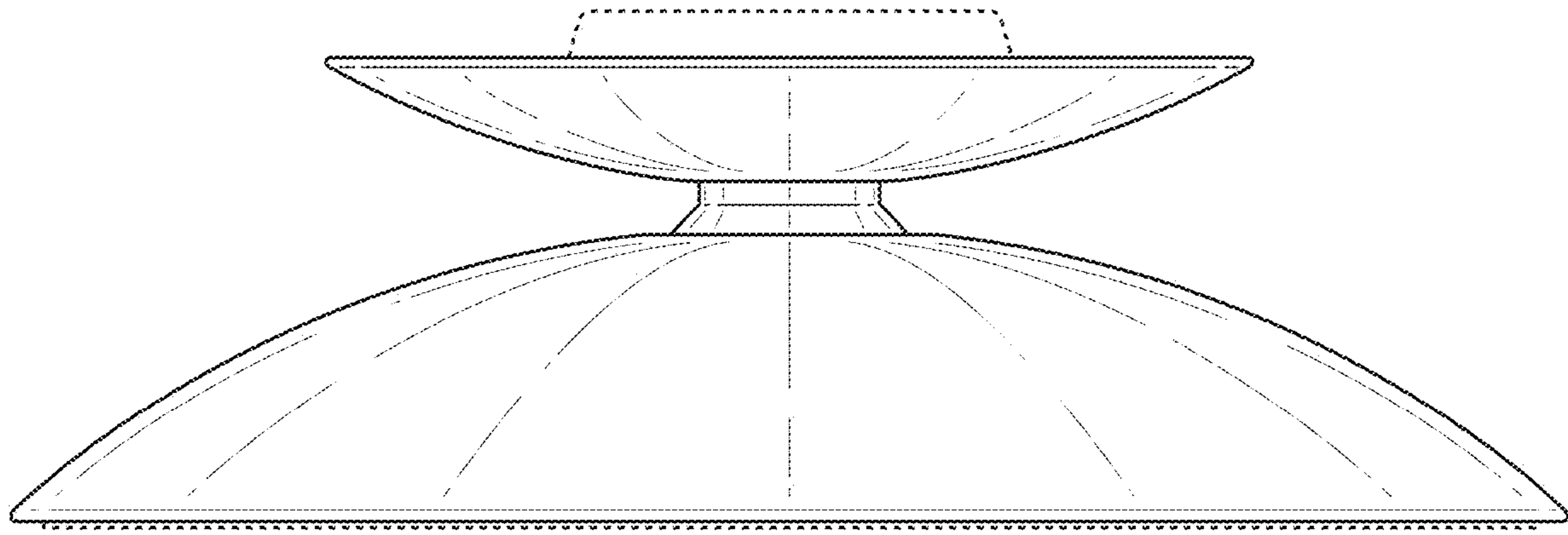


FIG. 3

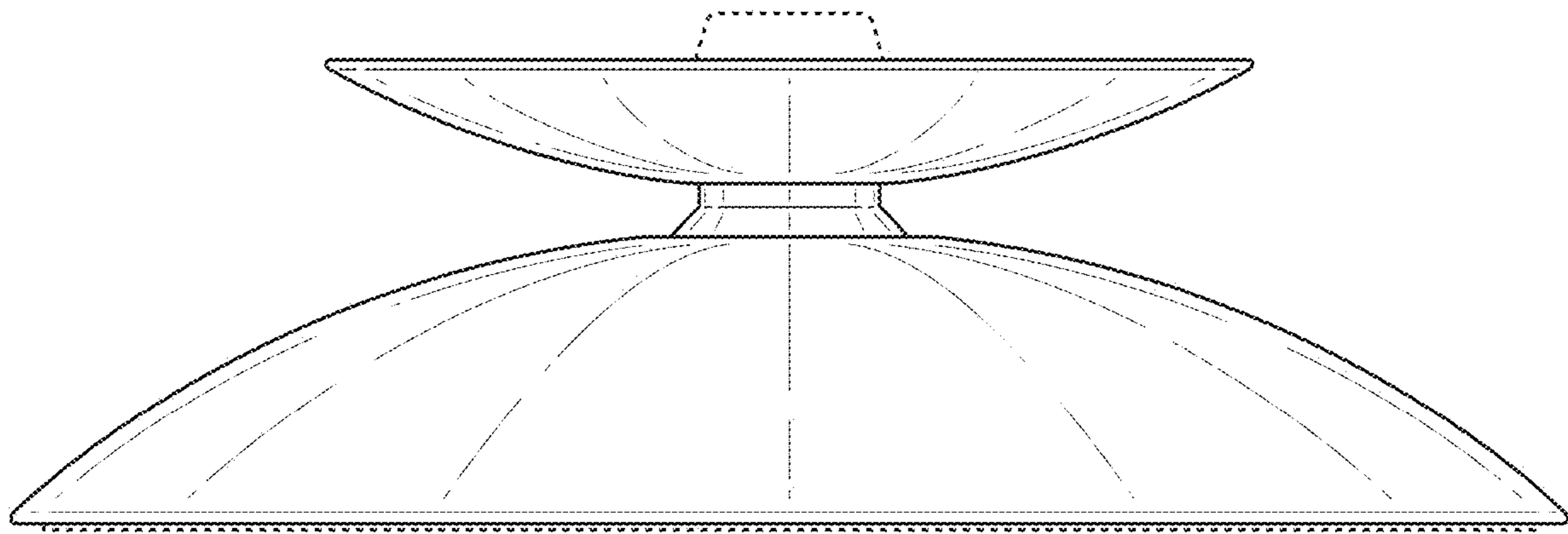


FIG. 4

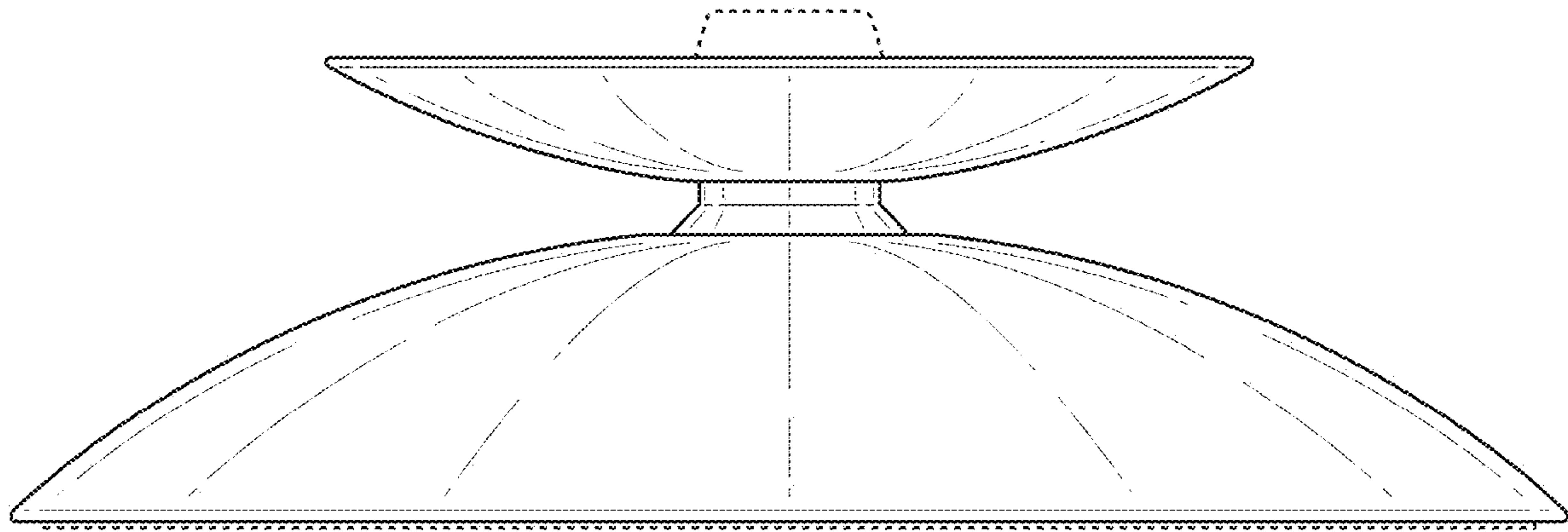


FIG. 5

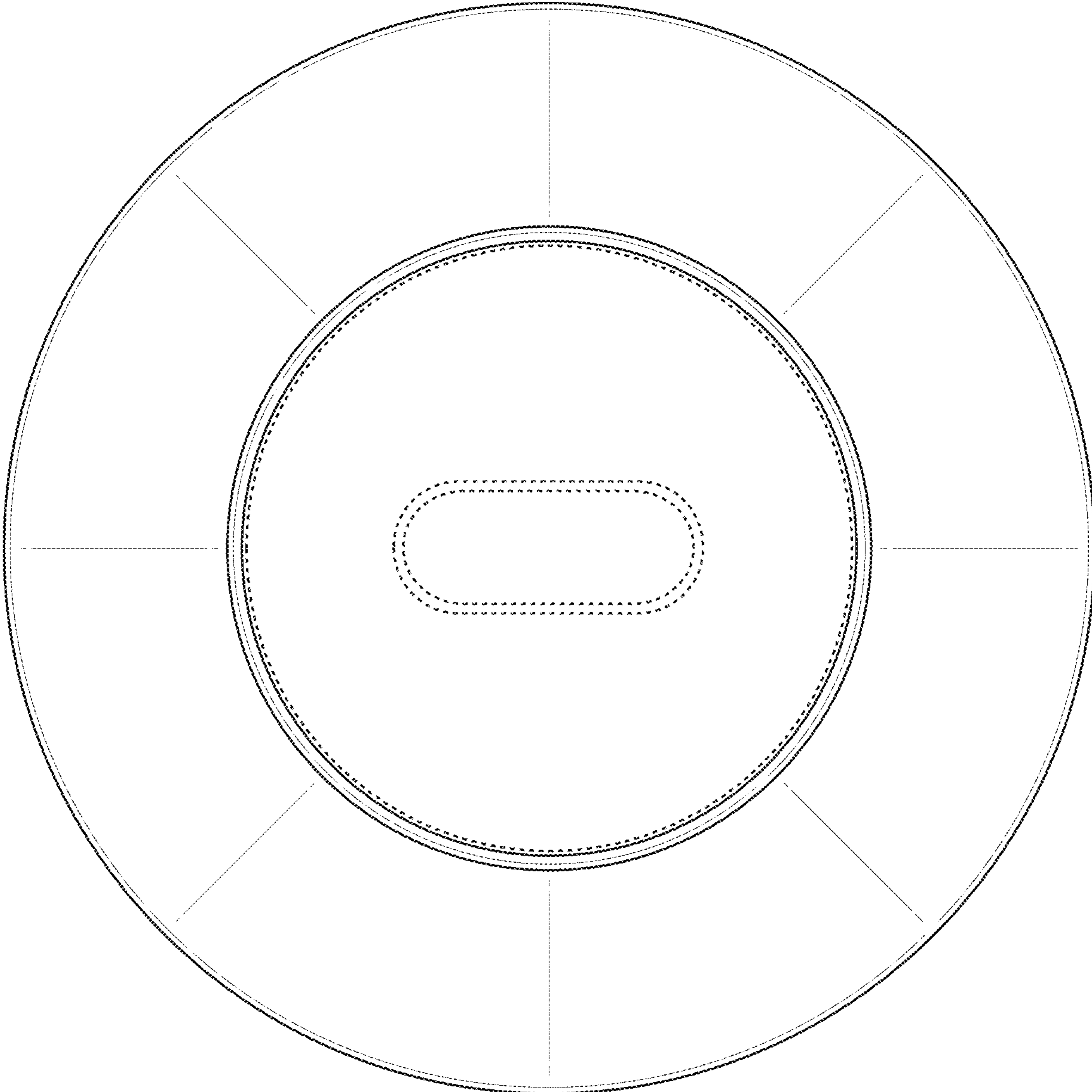


FIG. 6

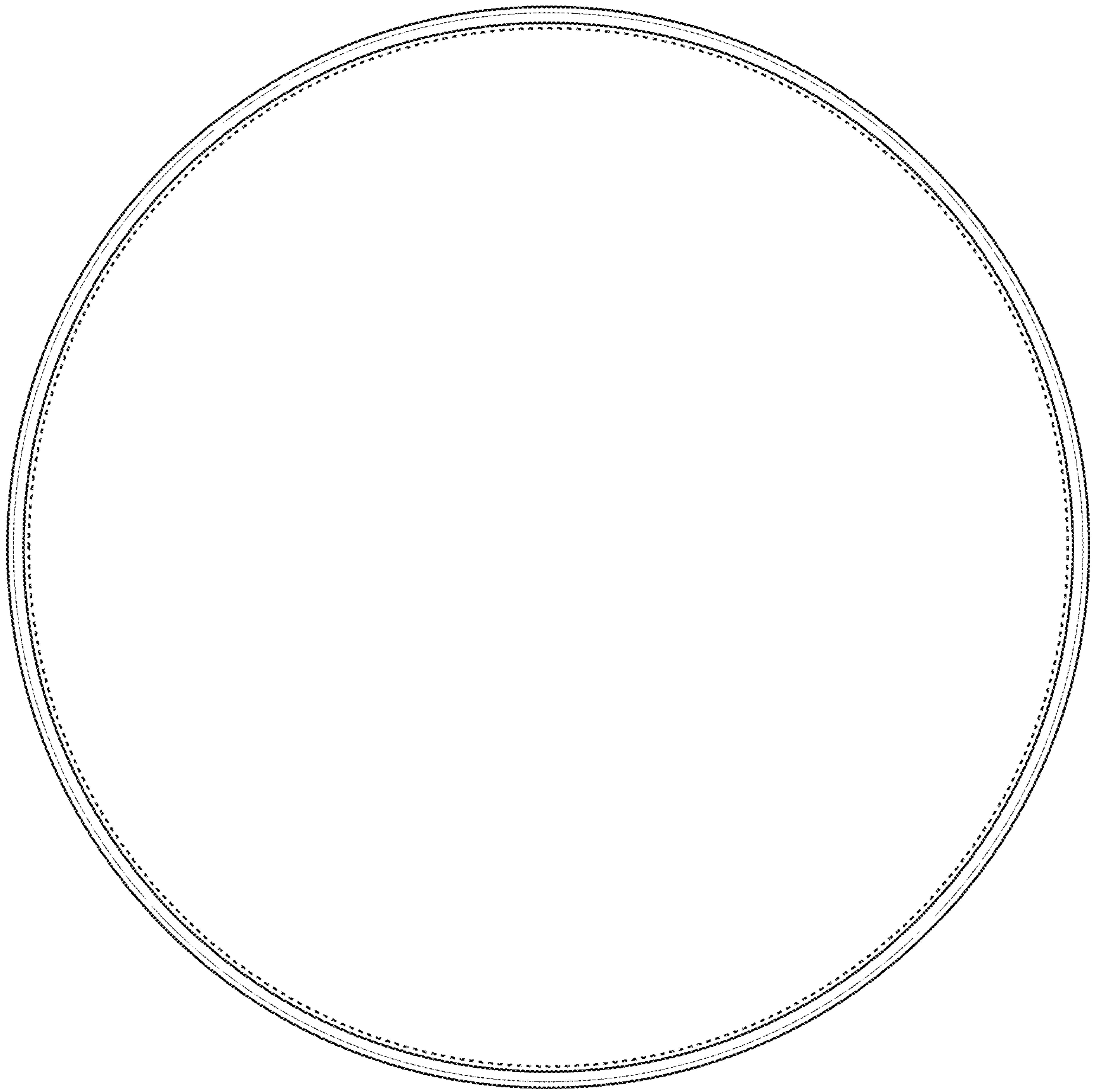


FIG. 7