



US00D879104S

(12) **United States Design Patent**
Li

(10) **Patent No.:** **US D879,104 S**
(45) **Date of Patent:** **** Mar. 24, 2020**

- (54) **TABLET CASE**
- (71) Applicant: **Jianhui Li**, Shenzhen (CN)
- (72) Inventor: **Jianhui Li**, Shenzhen (CN)
- (**) Term: **15 Years**
- (21) Appl. No.: **29/675,877**
- (22) Filed: **Jan. 7, 2019**
- (51) **LOC (12) Cl.** **14-02**
- (52) **U.S. Cl.**
USPC **D14/440**
- (58) **Field of Classification Search**
USPC D14/440, 447, 250; 206/45.23, 320,
206/45.2; 361/679.55; 294/25; 224/218
CPC G06F 1/626; H04B 1/3555; H05K 5/0217
See application file for complete search history.

- D812,620 S * 3/2018 Cheng D14/440
- D821,405 S * 6/2018 Chen D14/440
- D852,200 S * 6/2019 Chan D14/440
- D854,022 S * 7/2019 Chen D14/440
- D860,212 S * 9/2019 Ahn D14/440
- D862,442 S * 10/2019 Wei D14/250
- D862,478 S * 10/2019 Ahn D14/440
- D862,479 S * 10/2019 Ahn D14/440
- D862,480 S * 10/2019 Chan D14/440
- 2012/0075799 A1* 3/2012 Pollex F16M 11/041
361/679.56
- 2017/0045920 A1* 2/2017 Armstrong G06F 1/1669

* cited by examiner

Primary Examiner — Cynthia R Underwood

(57) **CLAIM**

The ornamental design for a tablet case, as shown and described.

DESCRIPTION

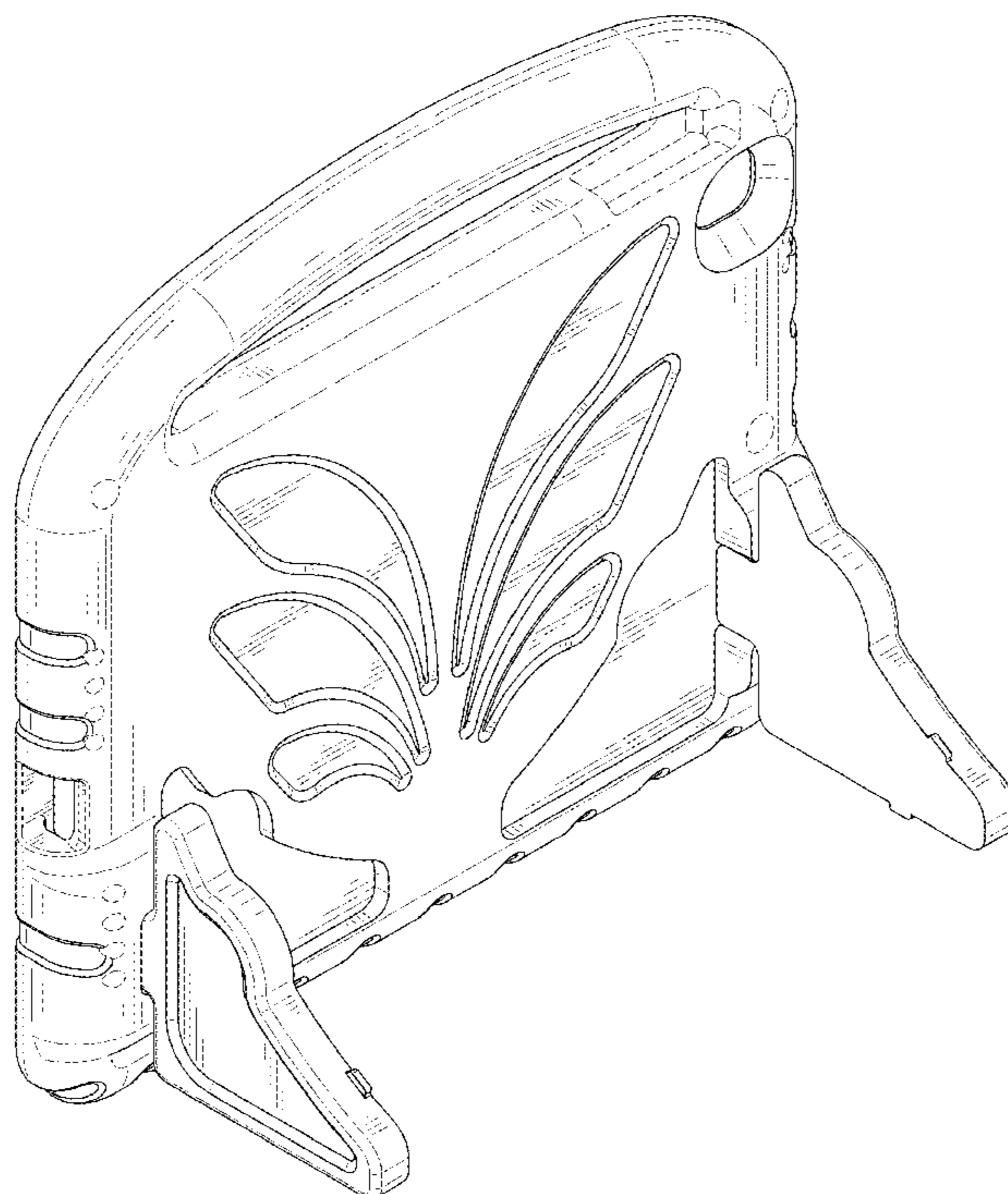
FIG. 1 is a perspective view of a tablet case showing my new design;
 FIG. 2 is another perspective view thereof;
 FIG. 3 is a front elevational view thereof;
 FIG. 4 is a rear elevational view thereof;
 FIG. 5 is a left side elevational view thereof;
 FIG. 6 is a right side elevational view thereof;
 FIG. 7 is a top plan view thereof;
 FIG. 8 is a bottom plan view thereof; and,
 FIG. 9 is a perspective view of the tablet case where kickstands are in an open state.
 The broken lines in the drawings illustrate portions of the tablet case that form no part of the claimed design.

1 Claim, 9 Drawing Sheets

(56) **References Cited**

U.S. PATENT DOCUMENTS

- D689,056 S * 9/2013 Li D14/440
- D690,704 S * 10/2013 Padilla D14/440
- D727,917 S * 4/2015 Yeo D14/440
- D733,154 S * 6/2015 Armstrong D14/440
- D752,052 S * 3/2016 Park D14/440
- D763,853 S * 8/2016 Pearce D14/440
- D766,249 S * 9/2016 Veltz D14/440
- D784,350 S * 4/2017 Li D14/440
- D790,550 S * 6/2017 Chen D14/440
- D803,221 S * 11/2017 Guo D14/440
- D806,080 S * 12/2017 Chen D14/440
- D807,366 S * 1/2018 Chen D14/440
- D807,369 S * 1/2018 Chen D14/440
- D808,973 S * 1/2018 Chen D14/440
- D811,412 S * 2/2018 McCurdy D14/440



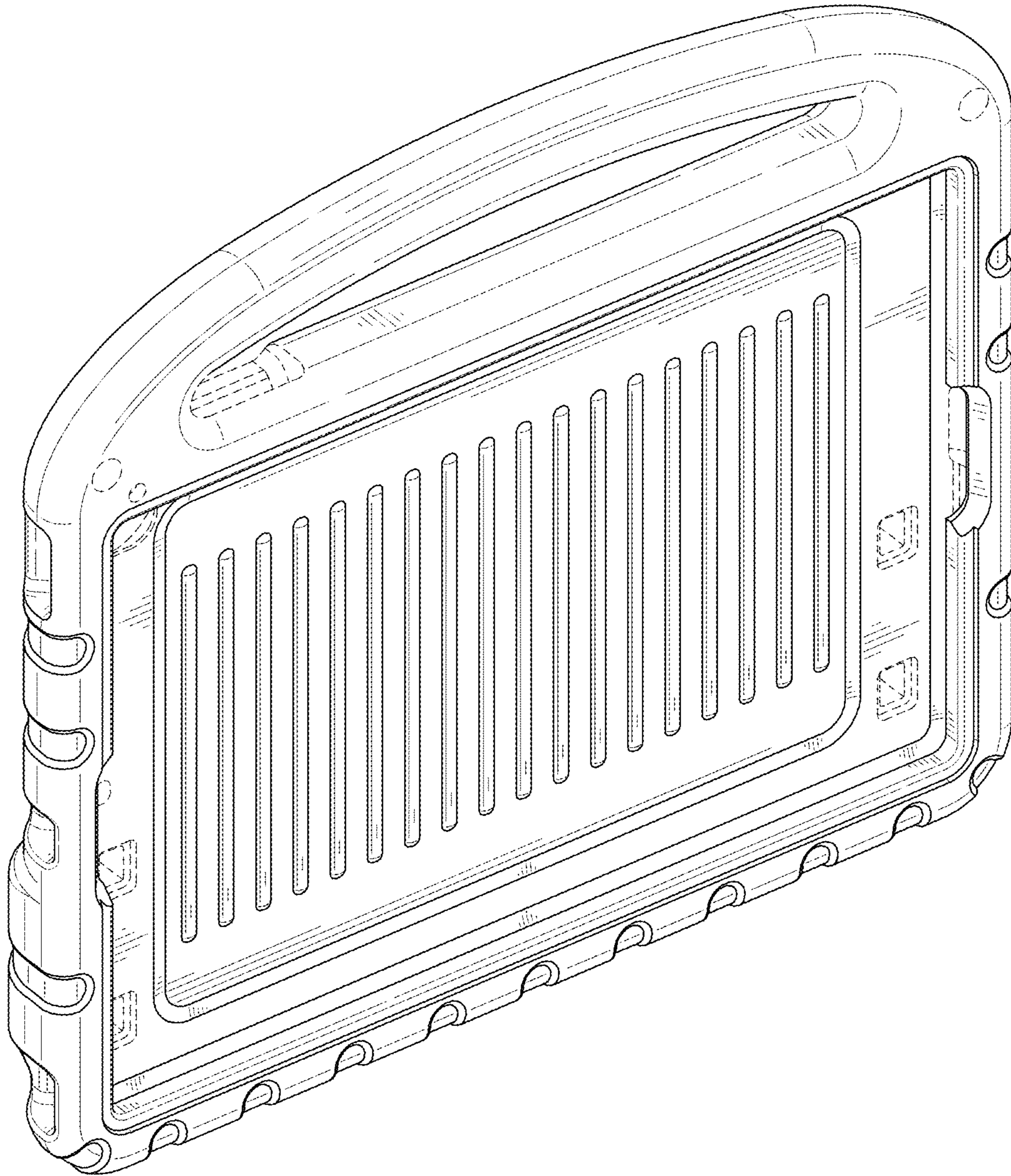


FIG. 1

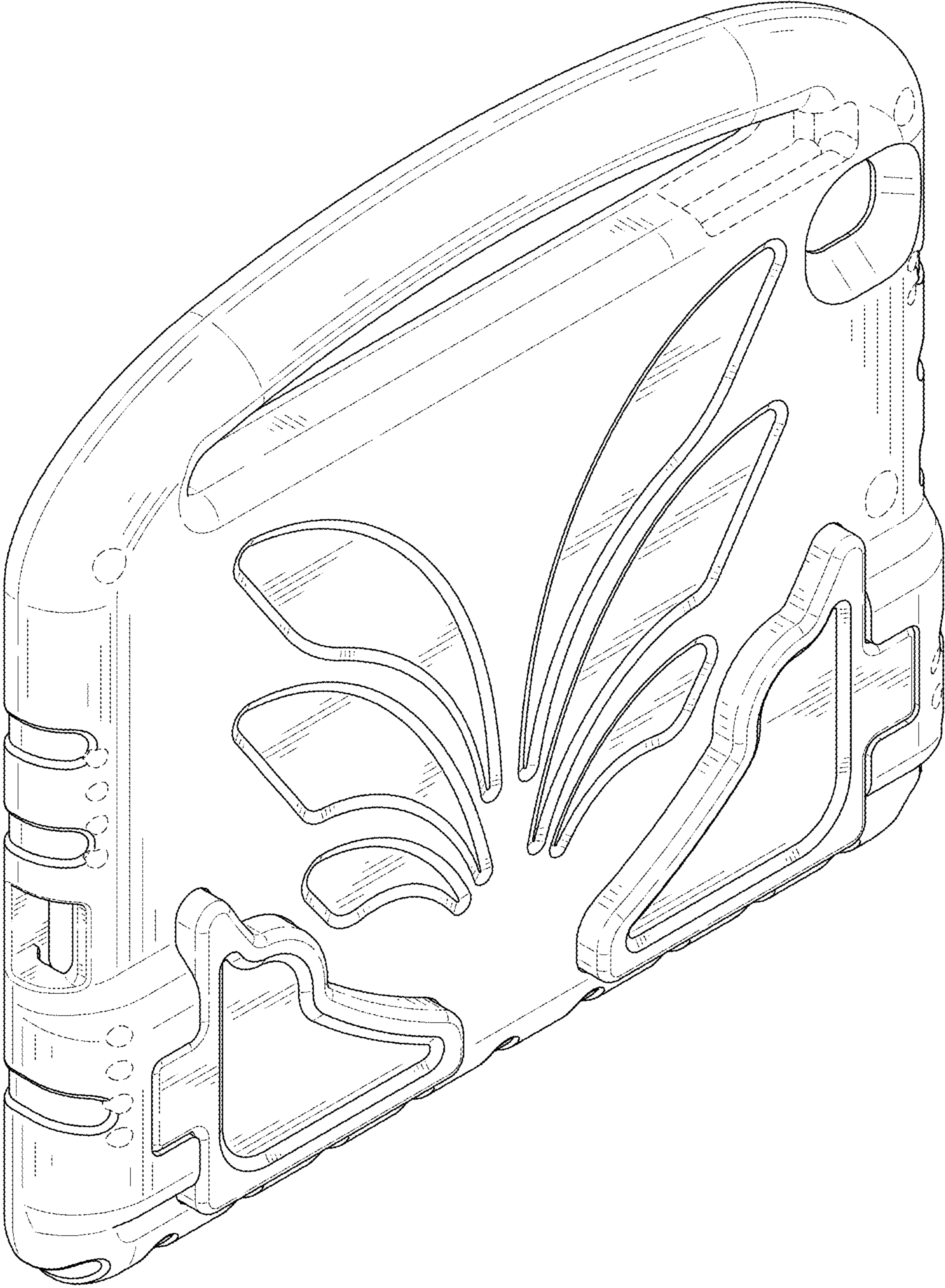


FIG. 2

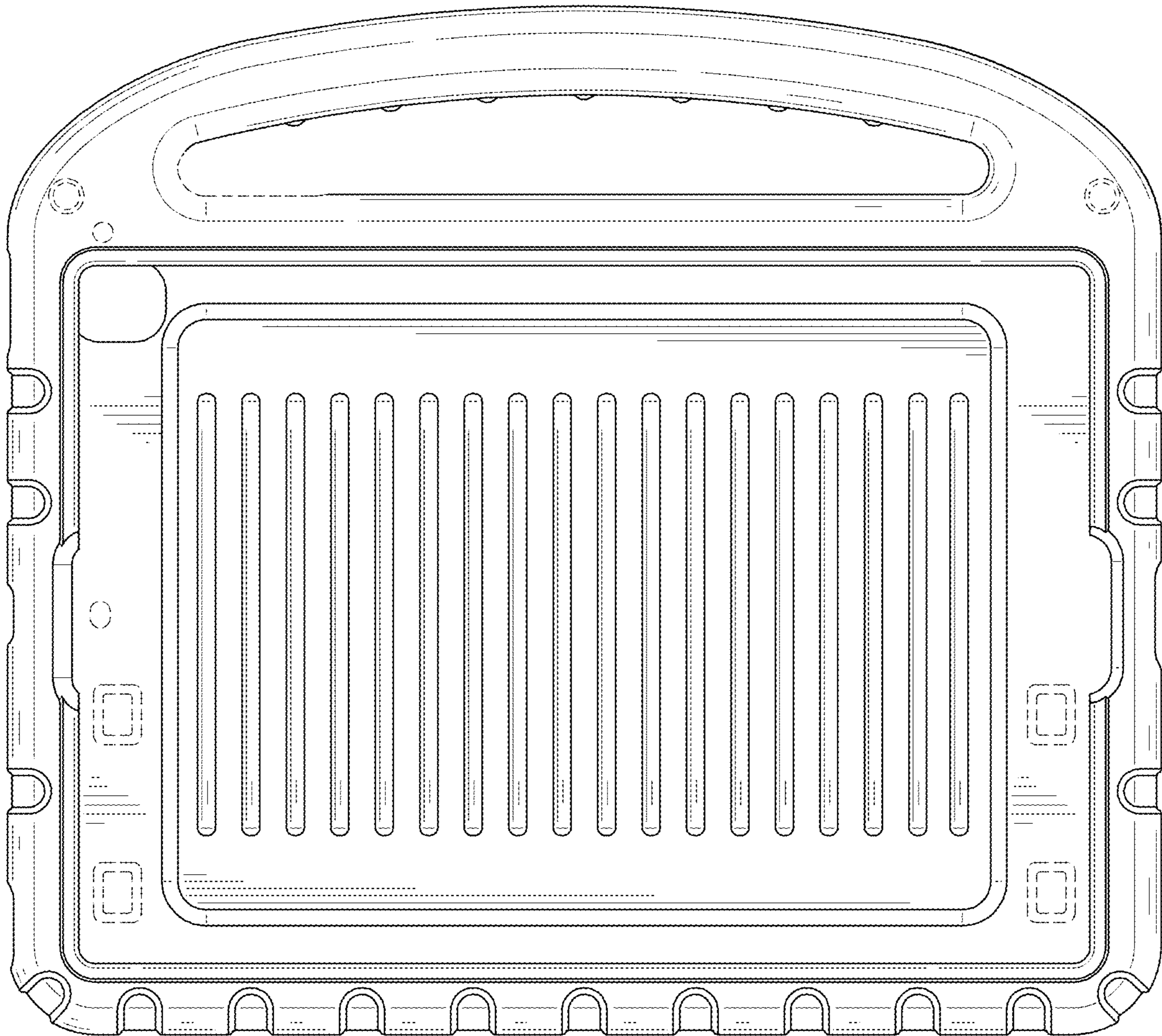


FIG. 3

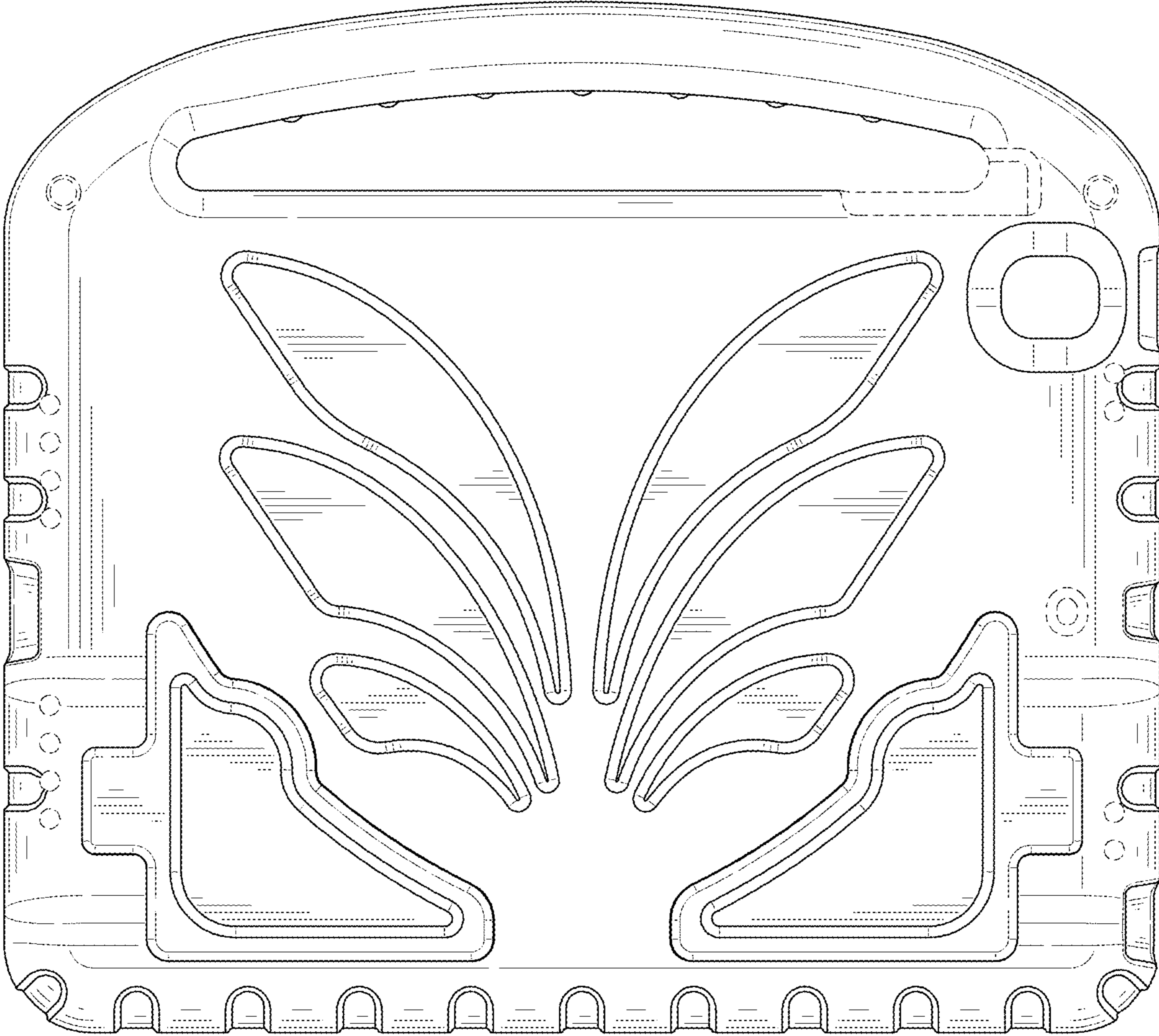


FIG. 4

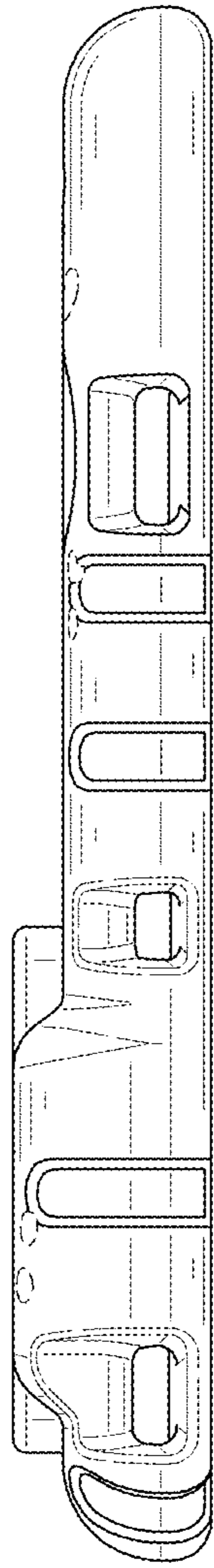


FIG. 5

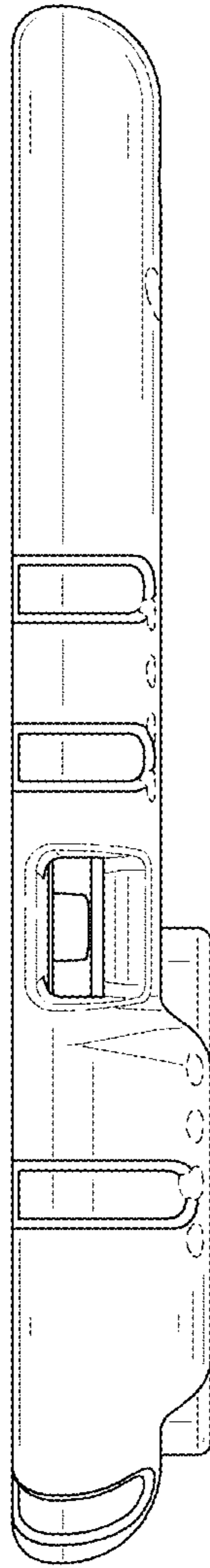


FIG. 6

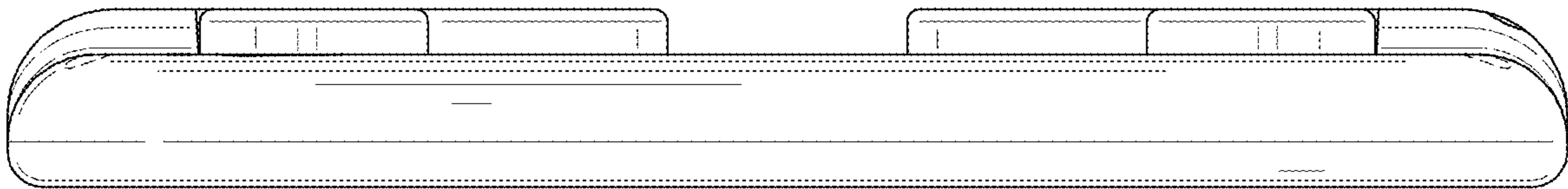


FIG. 7

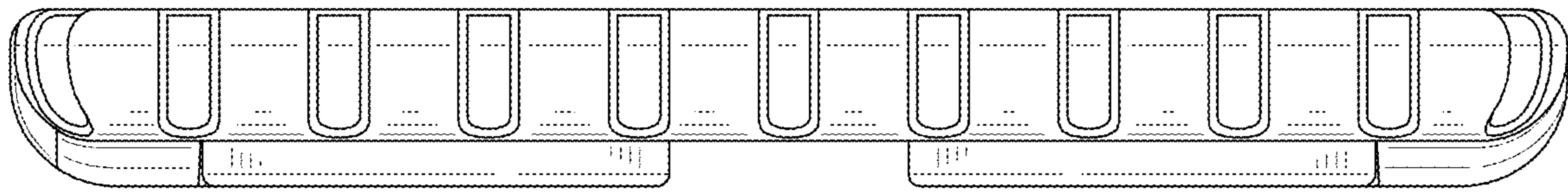


FIG. 8

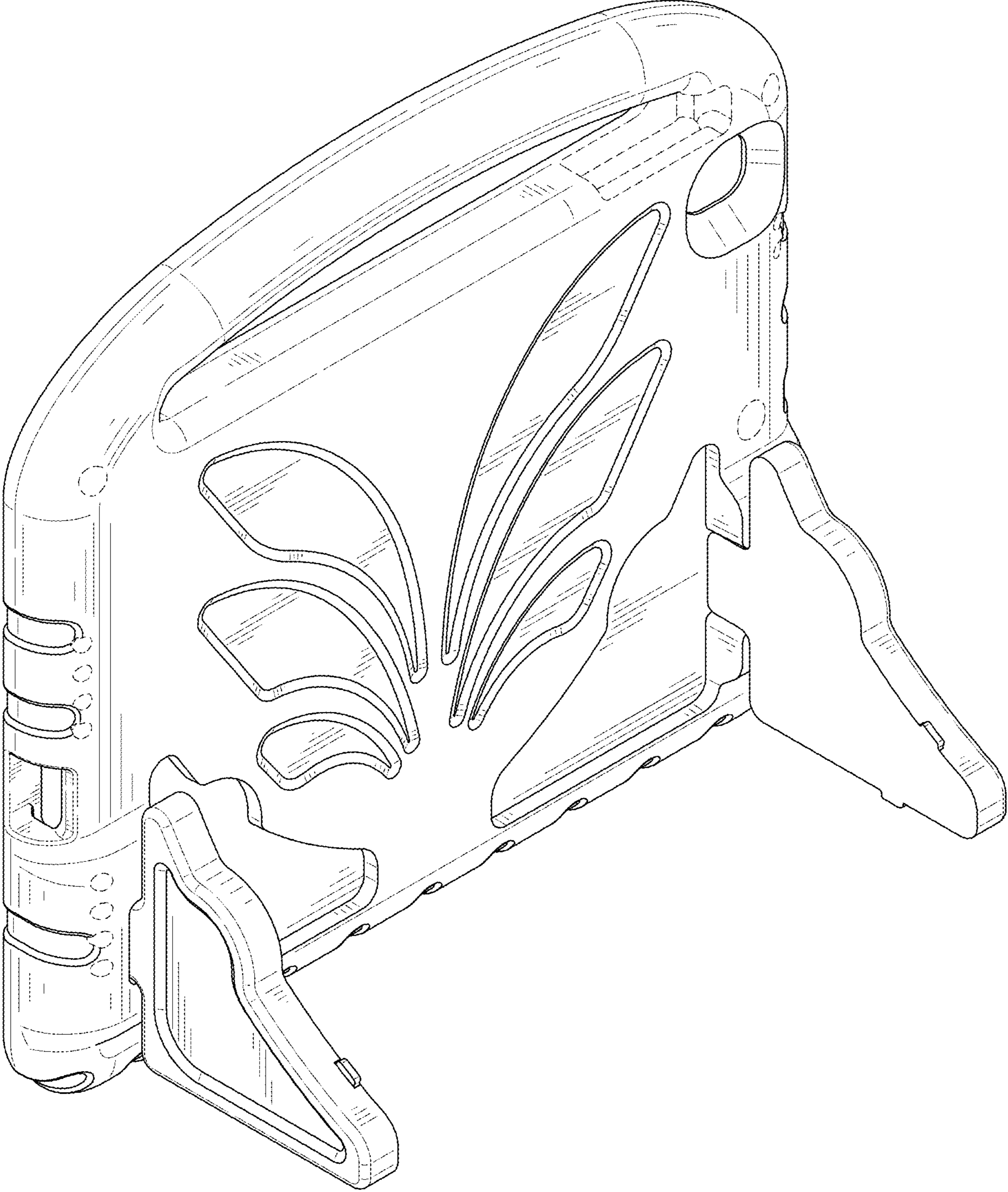


FIG. 9