

US00D879103S

(12) **United States Design Patent** (10) **Patent No.:** **US D879,103 S**
Minagawa et al. (45) **Date of Patent:** **** Mar. 24, 2020**

(54) **STORAGE CASE FOR MEMORY CARD**

G06K 19/00; G06K 19/02; G06K 19/04;
G06K 19/041; G06K 19/042; G06K
19/045; G11B 33/025

(71) Applicant: **NINTENDO CO., LTD.**, Kyoto (JP)

See application file for complete search history.

(72) Inventors: **Shinta Minagawa**, Kyoto (JP); **Yuko Zenri**, Kyoto (JP)

(56) **References Cited**

(73) Assignee: **Nintendo Co., Ltd.**, Kyoto (JP)

U.S. PATENT DOCUMENTS

(**) Term: **15 Years**

4,957,205	A *	9/1990	Rose, Jr.	B42F 5/005 206/308.3
5,373,944	A *	12/1994	Ishitsuka	G11B 33/0438 206/308.3
6,164,446	A *	12/2000	Law	G11B 33/0422 206/308.1
6,230,885	B1 *	5/2001	Rochelo	A45C 11/182 206/1.5

(21) Appl. No.: **29/622,379**

(22) Filed: **Oct. 17, 2017**

(30) **Foreign Application Priority Data**

(Continued)

Jun. 7, 2017 (JP) 2017-012247

(51) **LOC (12) Cl.** **14-02**

Primary Examiner — Susan Moon Lee

(52) **U.S. Cl.**

(74) *Attorney, Agent, or Firm* — Nixon & Vanderhye PC

USPC **D14/435**; D3/294

(57) **CLAIM**

(58) **Field of Classification Search**

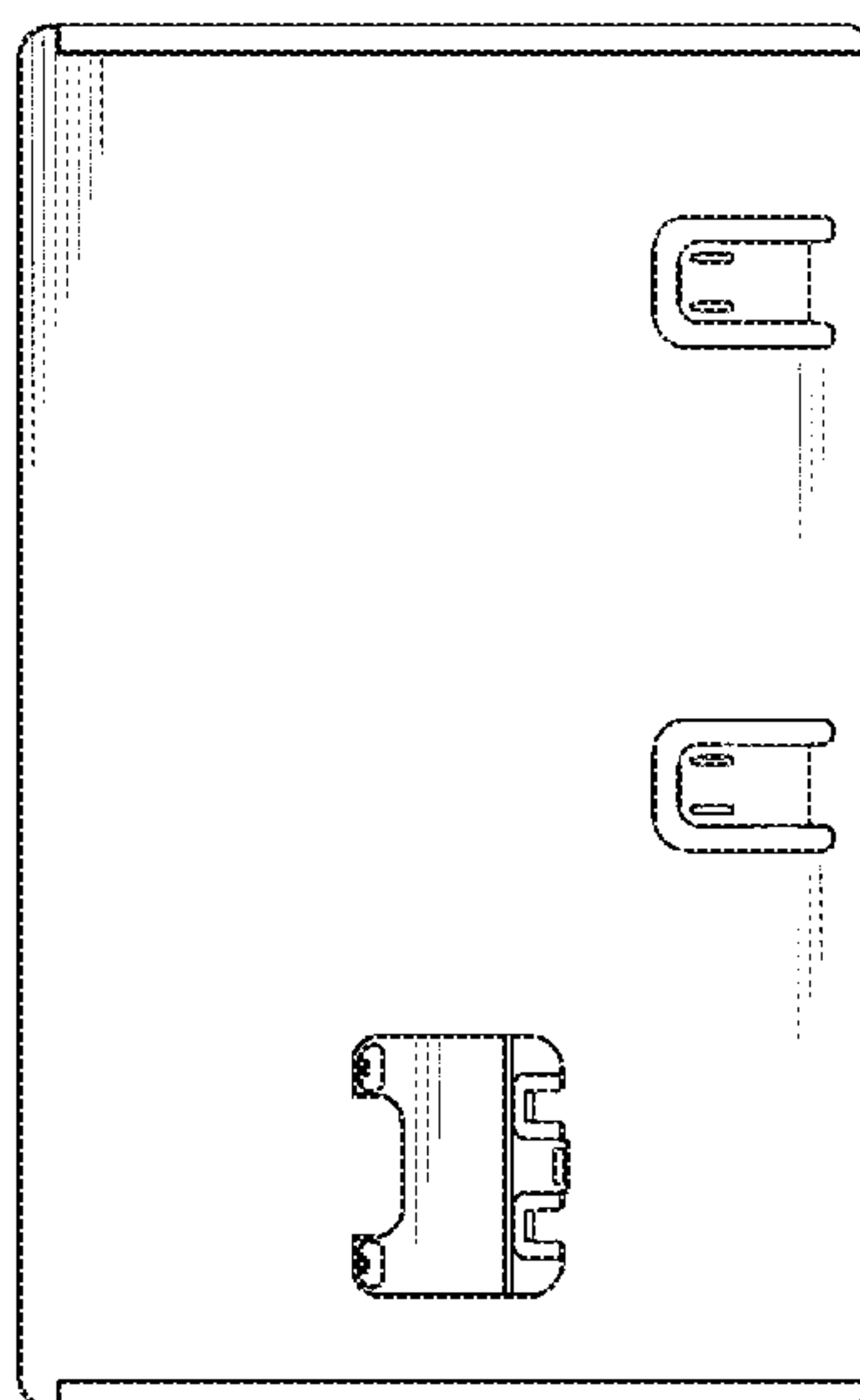
The ornamental design for a storage case for memory card, as shown and described.

USPC D14/435, 436, 437, 438, 432, 356;
D3/294, 273, 201, 203.5, 203.6, 284, 295,
D3/903, 203.1, 203.2, 247; D9/414, 422,
D9/424, 430, 432, 415; D28/83, 77, 78;
D6/632, 407, 634, 635, 627-629; 206/38,
206/38.1, 39, 232, 804, 815, 308.1, 308.3,
206/472, 473, 483, 474, 477, 480, 569,
206/570, 482, 485, 486, 320, 305, 307,
206/307.1, 450, 701, 722, 387.1, 387.13,
206/491, 455, 316.1, 316.2, 706, 725,
206/312, 223, 235, 236, 811, 710, 454,
206/581, 531, 493, 445, 311, 823, 574;
361/756, 686, 801, 802, 737, 752, 727;
150/147; 235/486, 487, 451, 492, 493,
235/380, 386; 242/378.2, 375, 385.1;
439/630, 945, 61, 135, 946; 53/471
CPC A45C 11/00; A45C 11/18; A45C 11/182;
A45C 11/14; A45C 2011/188; A45C
2011/186; A45C 2011/002; A45C
2011/003; A45C 2011/007; G06K 19/005;

DESCRIPTION

FIG. 1 is a front perspective view of a storage case for memory card showing our new design;
FIG. 2 is a back perspective view thereof;
FIG. 3 is a front view thereof;
FIG. 4 is a top view thereof;
FIG. 5 is a back view thereof;
FIG. 6 is a right side view thereof;
FIG. 7 is a left side view thereof;
FIG. 8 is a front view of the storage case for memory card, shown in a closed condition;
FIG. 9 is a top view thereof;
FIG. 10 is a back view thereof;
FIG. 11 is a right side view thereof; and,
FIG. 12 is a left side view thereof.

1 Claim, 12 Drawing Sheets



(56)

References Cited

U.S. PATENT DOCUMENTS

6,892,878	B2 *	5/2005	Hegarty	G11B 33/0427	206/308.1				
7,293,647	B2 *	11/2007	Wong	A45C 11/18	206/307.1				
D592,667	S *	5/2009	Sheba	D14/435					
D593,561	S *	6/2009	Sheba	D14/435					
D604,302	S *	11/2009	Staal	D14/435					
D613,293	S *	4/2010	Sheba	D14/435					
D613,744	S *	4/2010	Sheba	D14/435					
D632,696	S *	2/2011	Koh	D14/436					
D677,098	S *	3/2013	Watanabe	D6/629					
D862,600	S *	10/2019	Helmich	D20/43					
2002/0033348	A1 *	3/2002	Flores, Jr.	G11B 33/0427	206/308.1				
2002/0100701	A1 *	8/2002	Chiu	G11B 33/0422	206/308.1				
2002/0139701	A1 *	10/2002	Luckow	G11B 33/0422	206/308.1				
2005/0155879	A1 *	7/2005	Hoogland	G11B 33/0422	206/308.1				
2005/0167302	A1 *	8/2005	Bjerregaard	G11B 33/0427	206/308.1				
2005/0205441	A1 *	9/2005	Goto	G11B 33/0416	206/308.1				
2006/0208062	A1 *	9/2006	Osborn	B65D 1/22	235/380				
2010/0038269	A1 *	2/2010	Picard	A45C 11/18	206/307.1				
2013/0062233	A1 *	3/2013	Kubota	B65D 25/10	206/307				
2013/0299369	A1 *	11/2013	Komatani	G11B 33/0416	206/307				
2016/0035393	A1 *	2/2016	Solling	G11B 33/04	206/307				

* cited by examiner

FIG. 1

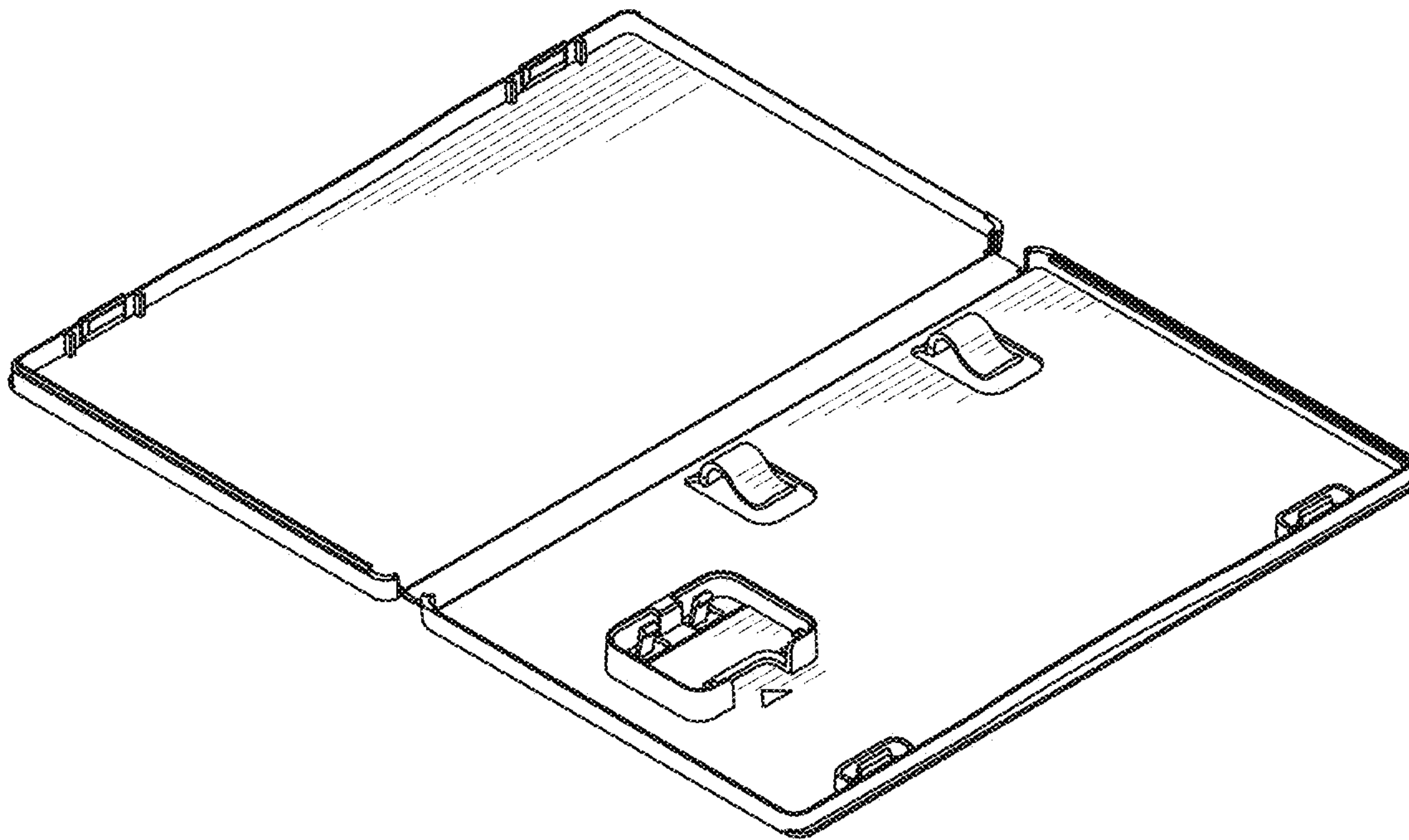


FIG. 2

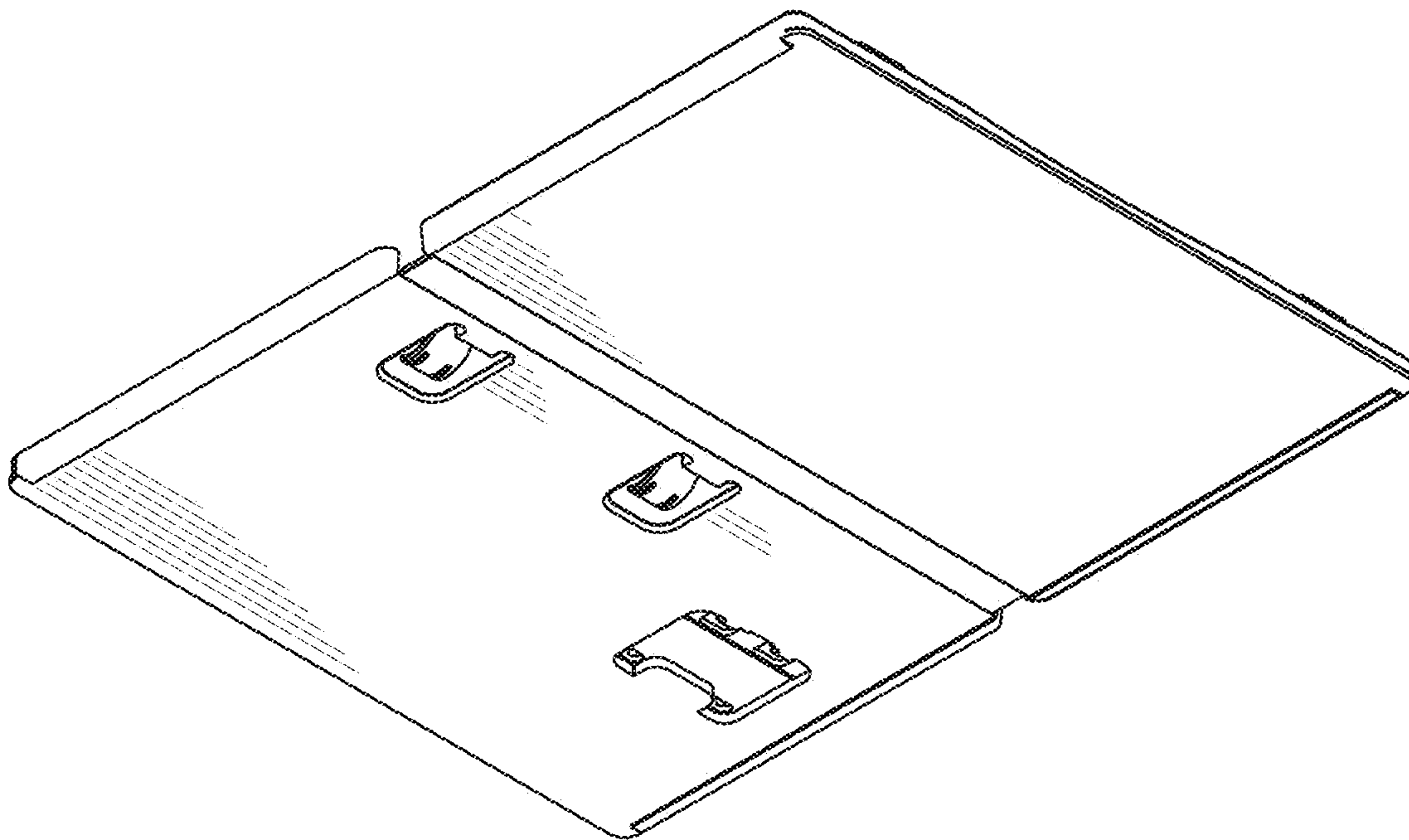


FIG. 3

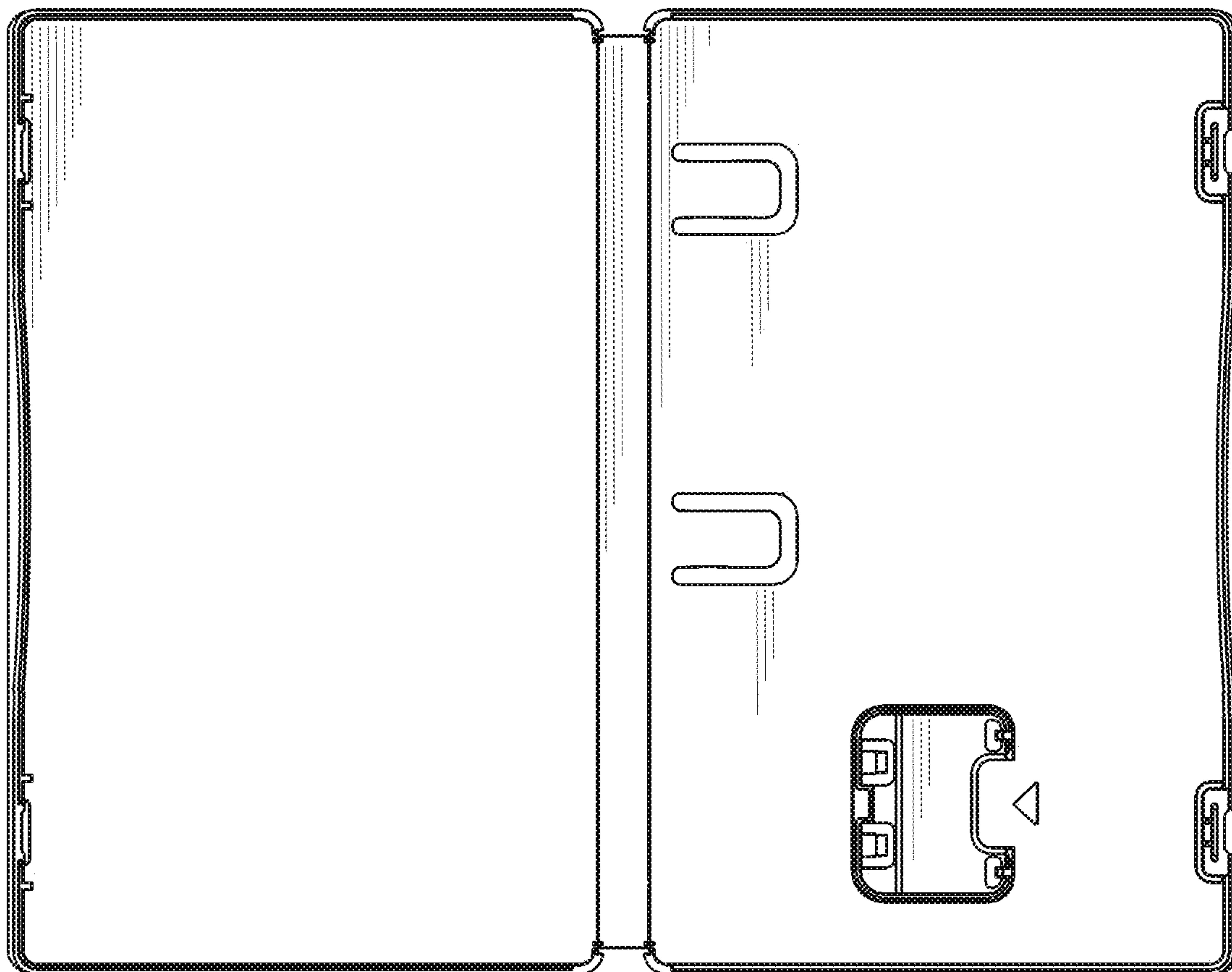


FIG. 4



FIG. 5

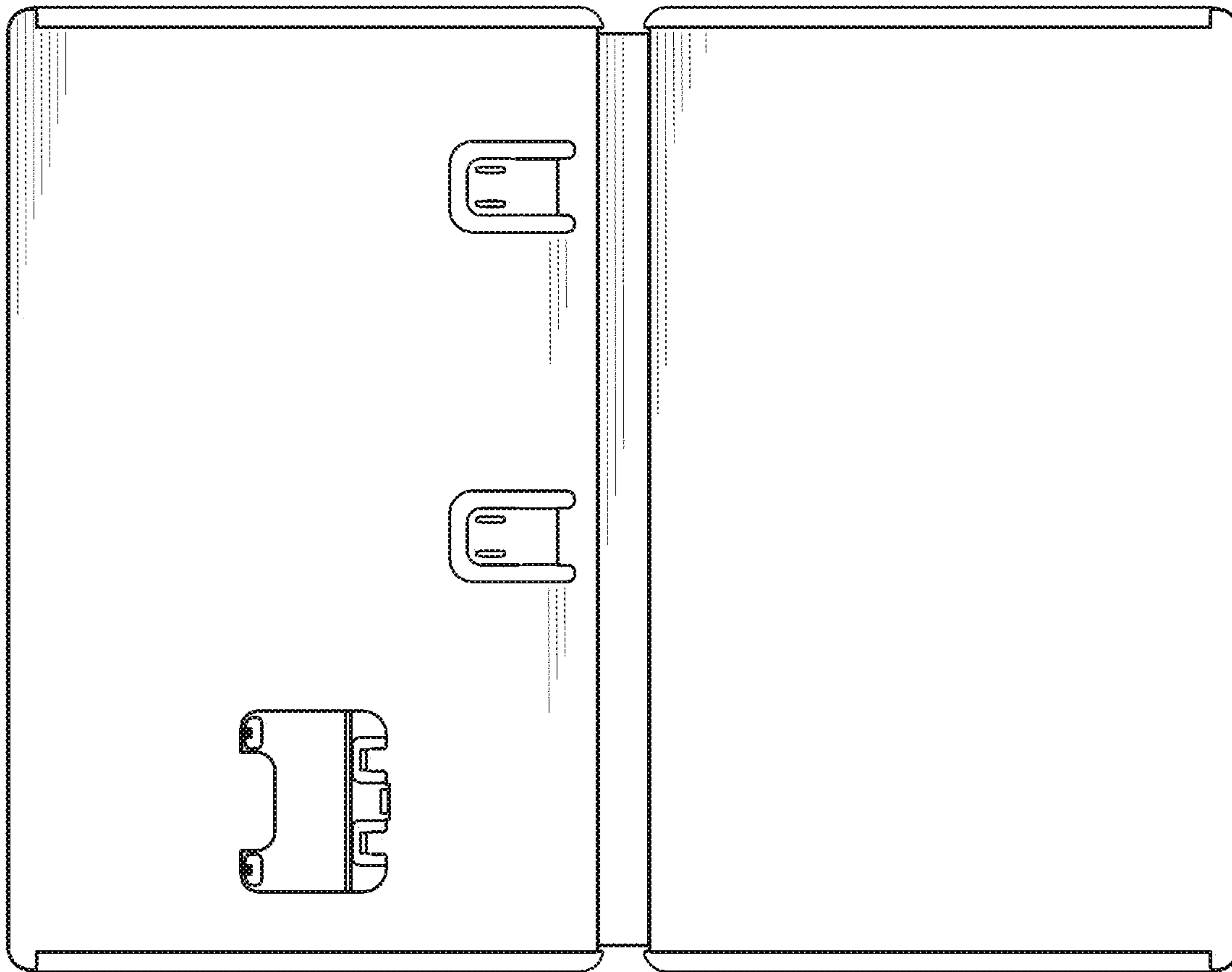


FIG. 6



FIG. 7

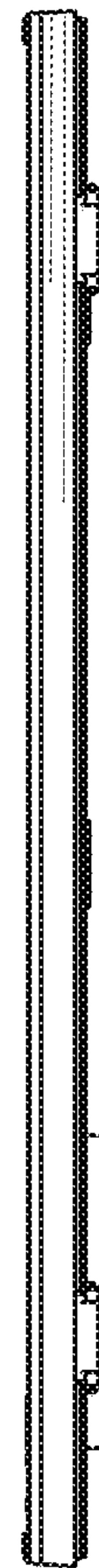


FIG. 8

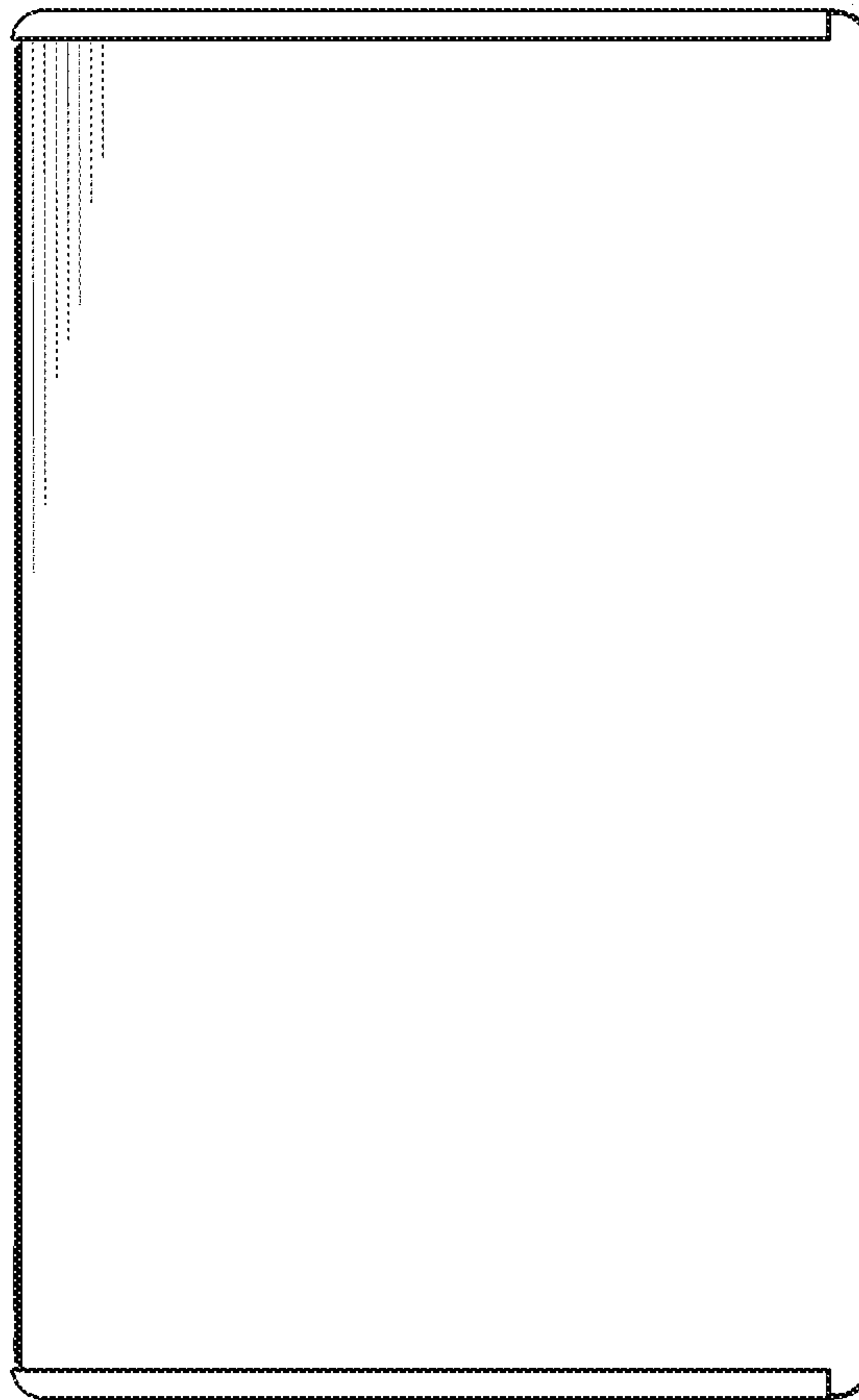


FIG. 9

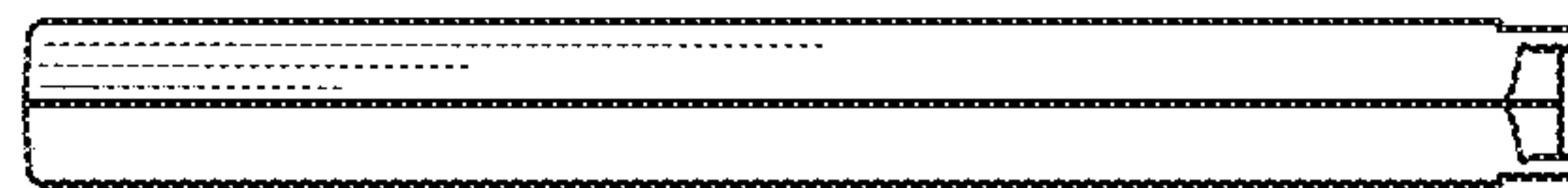


FIG. 10

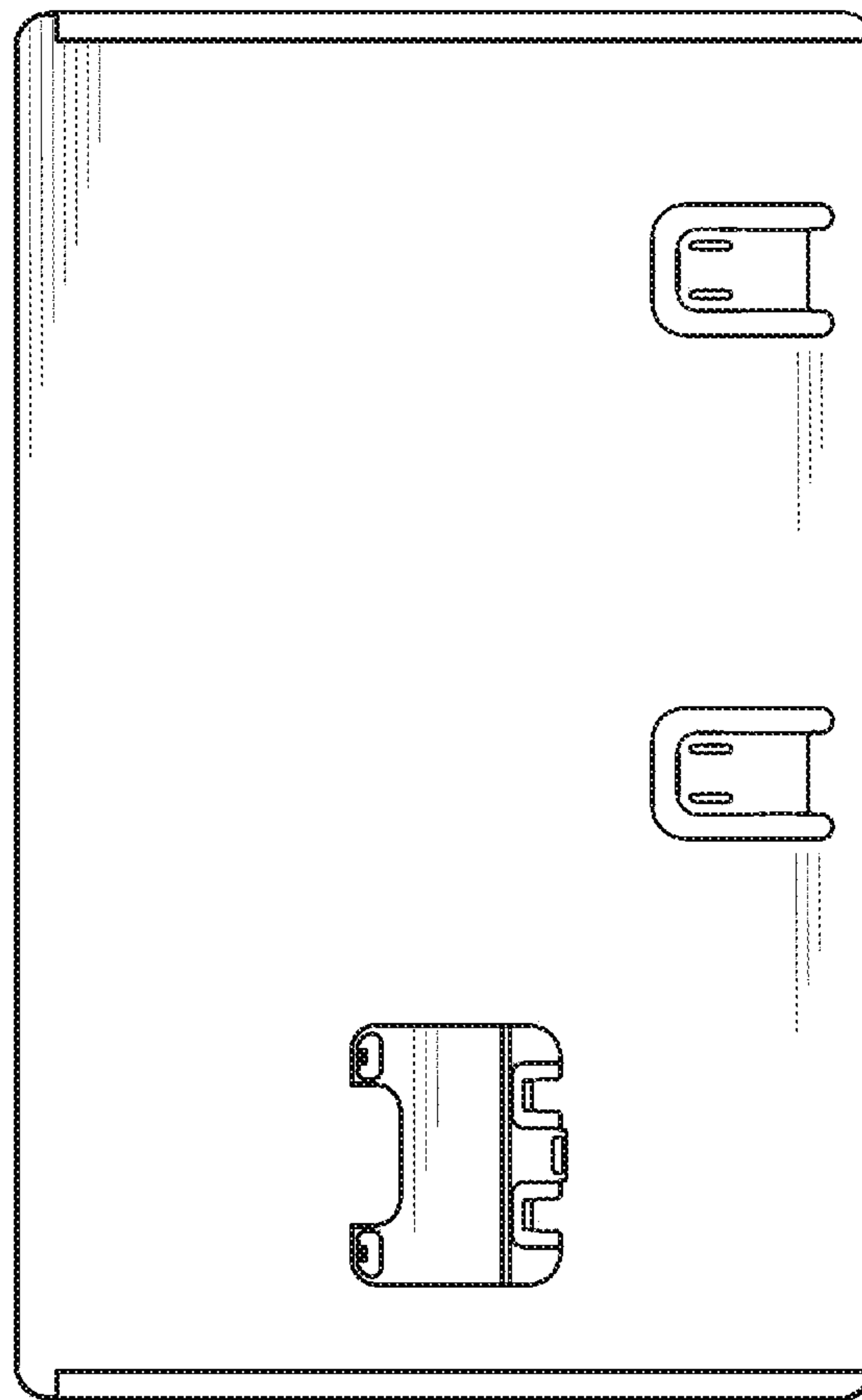


FIG. 11



FIG. 12

