



US00D879101S

(12) **United States Design Patent**  
**Li**

(10) **Patent No.:** **US D879,101 S**

(45) **Date of Patent:** **\*\* Mar. 24, 2020**

(54) **LEG STRAP FOR MOBILE COMPUTER**

(71) Applicant: **GETAC TECHNOLOGY CORPORATION**, Hsinchu County (TW)

(72) Inventor: **Chun-Hsing Li**, Taipei (TW)

(73) Assignee: **GETAC TECHNOLOGY CORPORATION**, Hsinchu County (TW)

(\*\*) Term: **15 Years**

(21) Appl. No.: **29/655,503**

(22) Filed: **Jul. 3, 2018**

(30) **Foreign Application Priority Data**

Jan. 19, 2018 (CN) ..... 2018 3 0025057

(51) **LOC (12) Cl.** ..... **14-02**

(52) **U.S. Cl.**  
USPC ..... **D14/432**

(58) **Field of Classification Search**

USPC ..... D14/372, 496, 432, 371, 125, 126, 129, D14/299, 447; D16/300-342; 351/158, 351/153, 144; 345/7-9, 905; 224/218, 224/222; 368/204, 223  
CPC ..... G02B 27/017; G02B 27/0158; G02B 27/0161; G02B 27/0181; G02B 27/0185; G02B 27/0189

See application file for complete search history.

(56) **References Cited**

**U.S. PATENT DOCUMENTS**

4,444,513 A \* 4/1984 Proellochs ..... G04B 37/0427  
368/223  
5,889,737 A \* 3/1999 Alameh ..... G04C 10/00  
368/204

D464,971 S \* 10/2002 Pombo ..... D14/432  
D598,919 S \* 8/2009 Takemasa ..... D14/432  
D664,602 S \* 7/2012 Chiu ..... D14/432  
9,523,965 B2 \* 12/2016 Liao ..... G04G 17/06  
D795,265 S \* 8/2017 Li ..... D14/447  
10,335,085 B2 \* 7/2019 Allen ..... A61B 5/6831  
D868,475 S \* 12/2019 Zhong ..... D3/327  
2014/0361057 A1 \* 12/2014 Gardner ..... A45F 5/00  
224/222  
2015/0173497 A1 \* 6/2015 Yu ..... A45F 5/00  
224/218

\* cited by examiner

*Primary Examiner* — Austin Murphy

(57) **CLAIM**

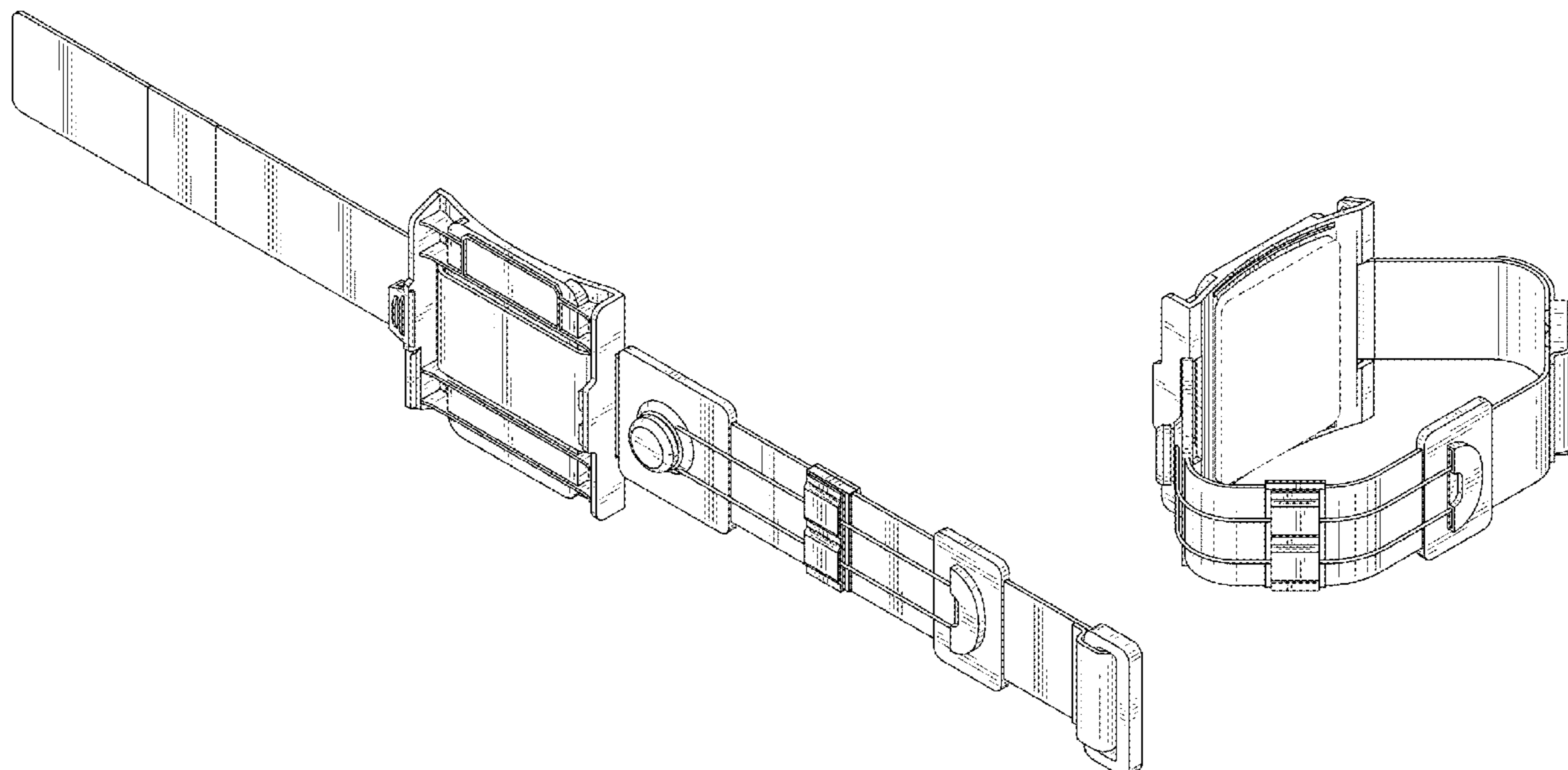
The ornamental design for a leg strap for mobile computer, as shown and described.

**DESCRIPTION**

FIG. 1 is a top front right perspective view showing on my new design;  
FIG. 2 is a top front left perspective view thereof;  
FIG. 3 is a top rear right perspective view thereof;  
FIG. 4 is a front view thereof;  
FIG. 5 is a rear view thereof;  
FIG. 6 is a left side view thereof;  
FIG. 7 is a right side view thereof;  
FIG. 8 is a top view thereof;  
FIG. 9 is a bottom view thereof; and,  
FIG. 10 is a top rear right perspective view thereof in the fastened state.

The broken lines are directed to environment and are for illustrative purpose only; the broken lines form no part of the claimed design.

**1 Claim, 10 Drawing Sheets**



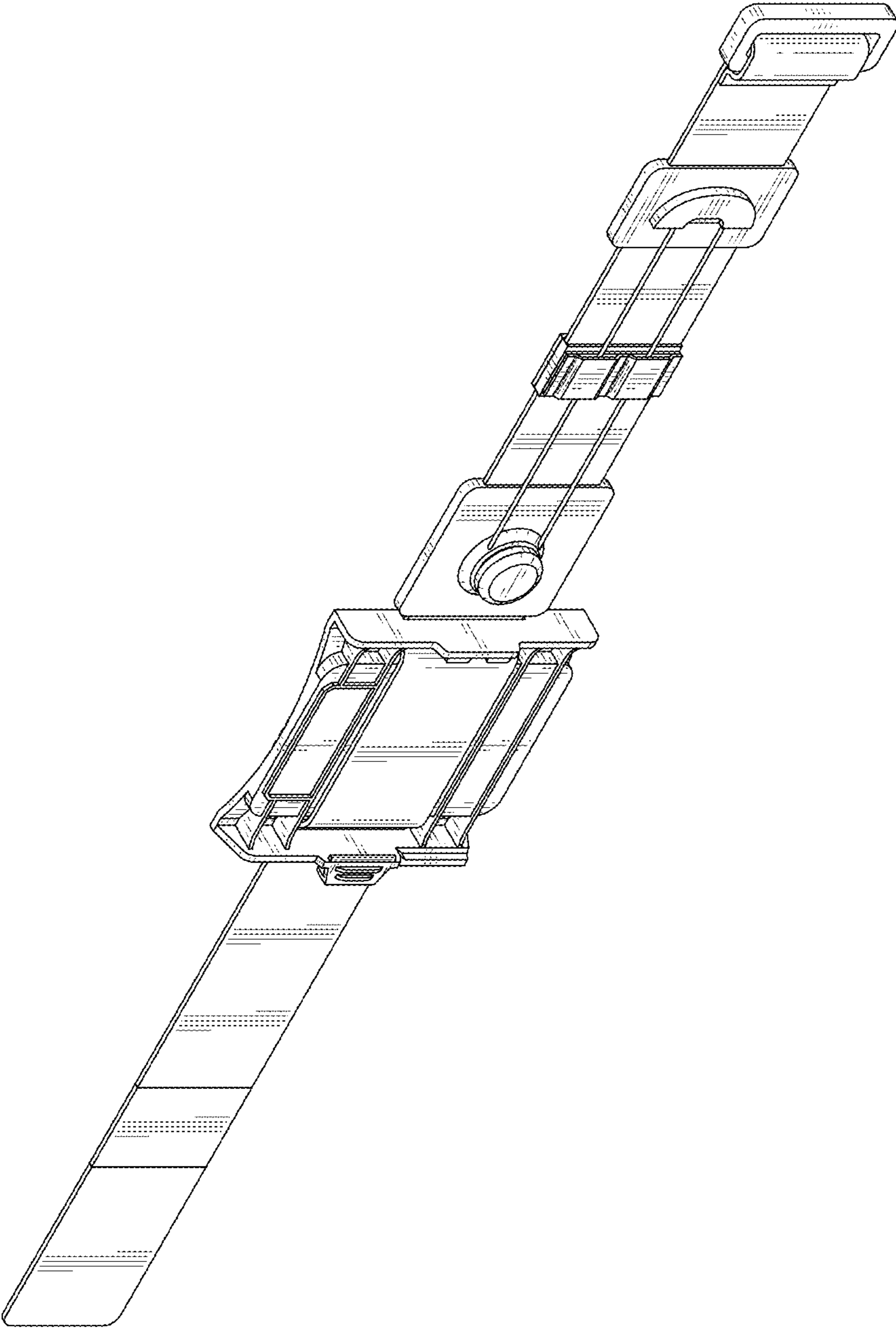


FIG. 1

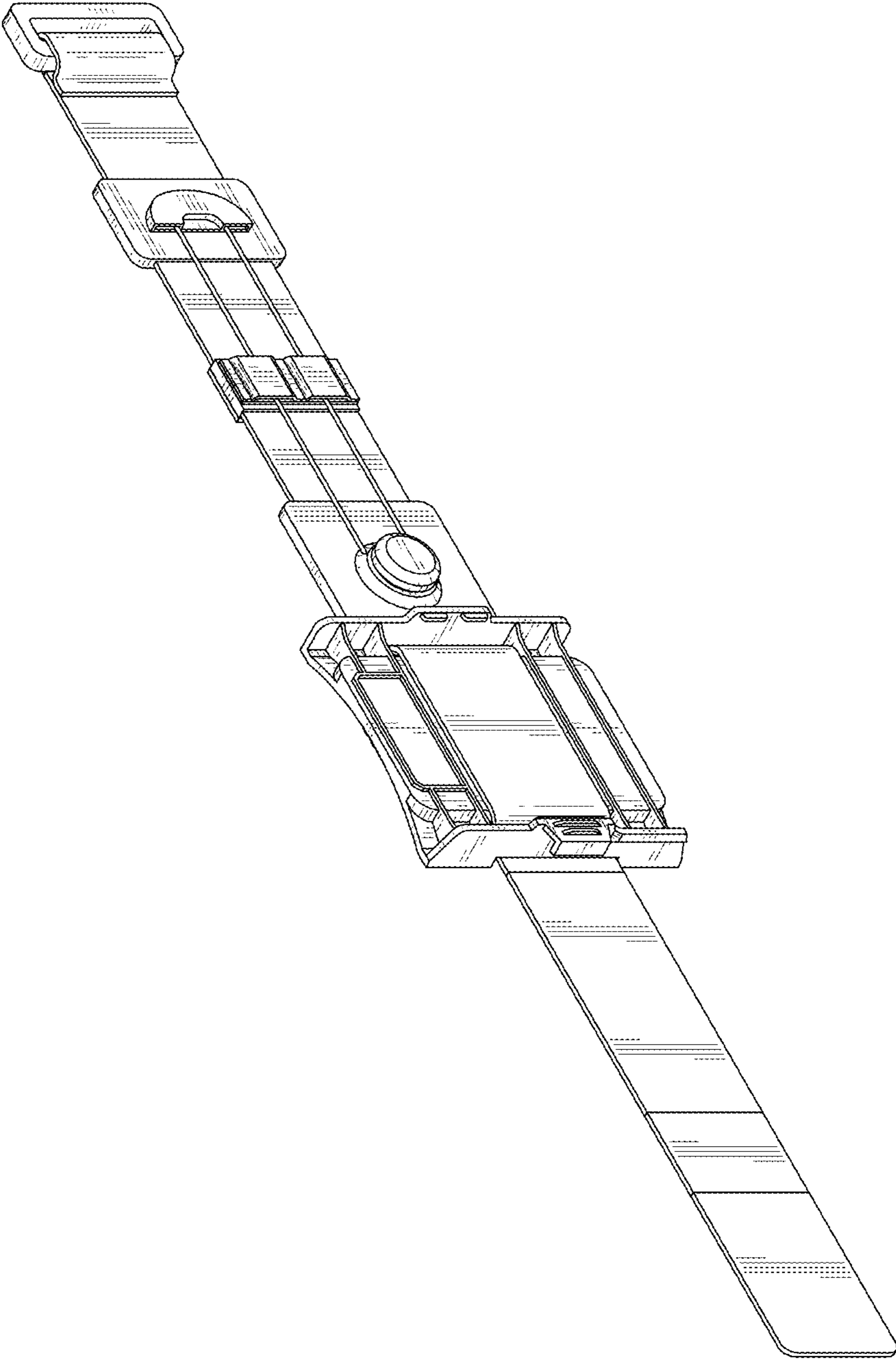


FIG. 2

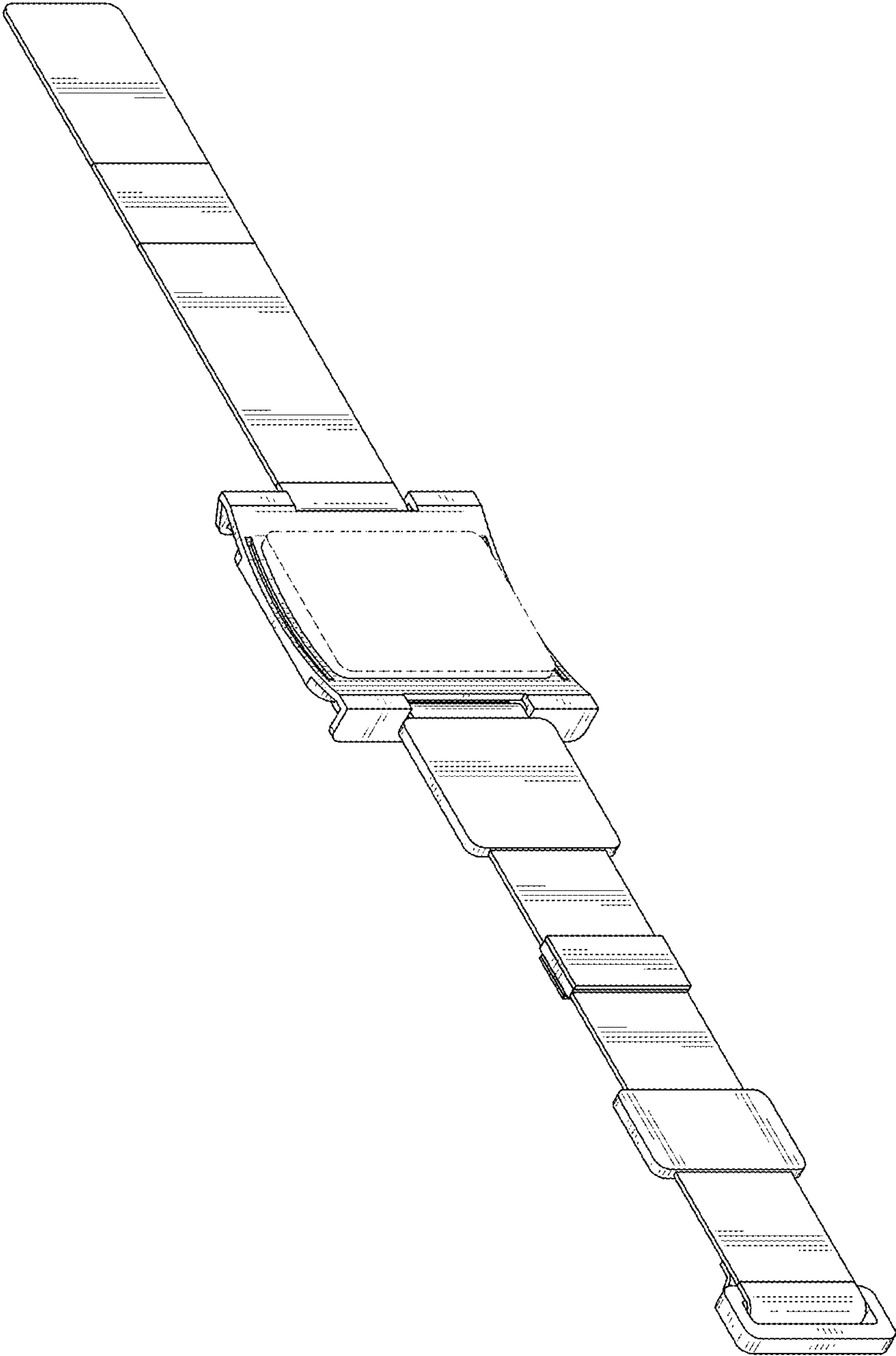


FIG. 3

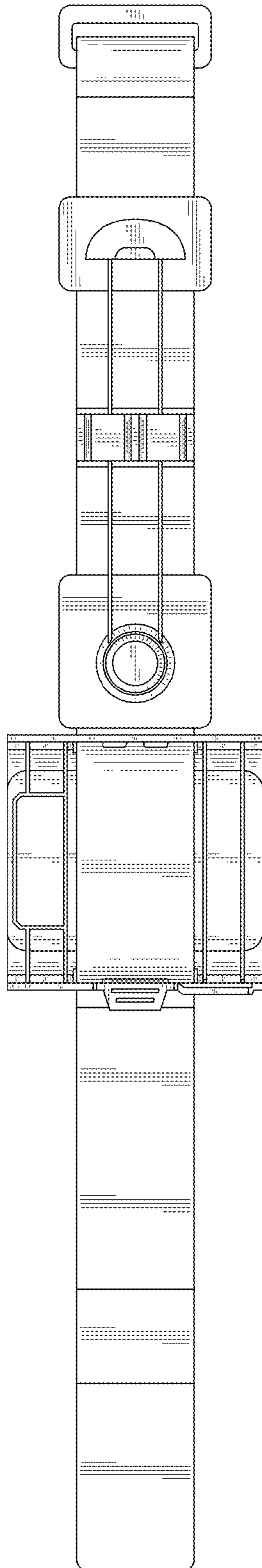


FIG. 4

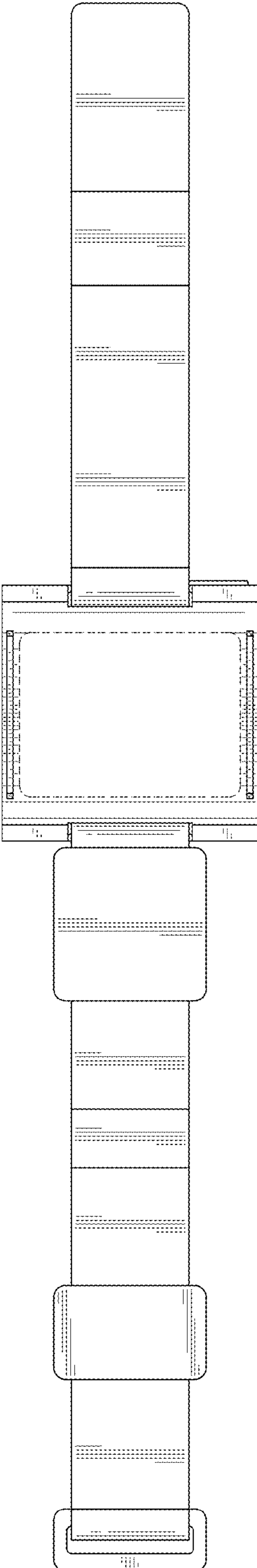


FIG. 5



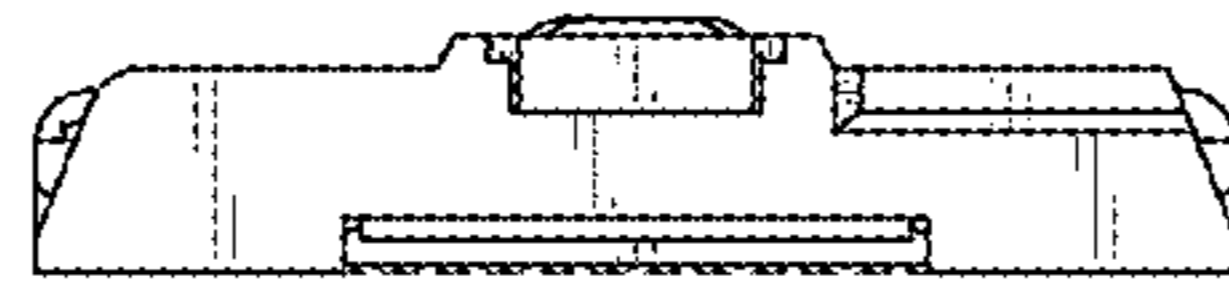


FIG. 6

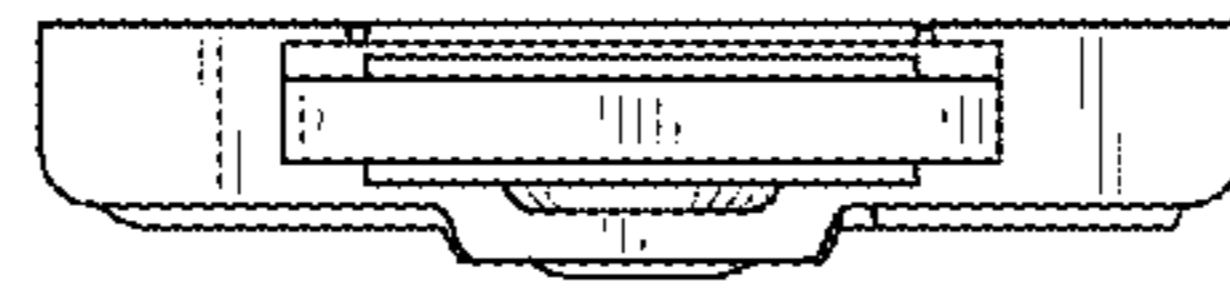


FIG. 7



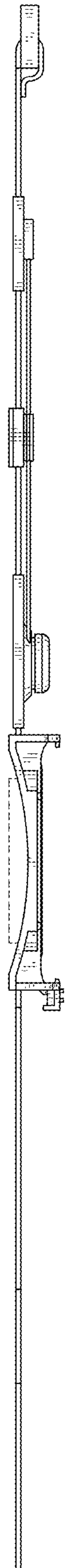


FIG. 8



FIG. 9

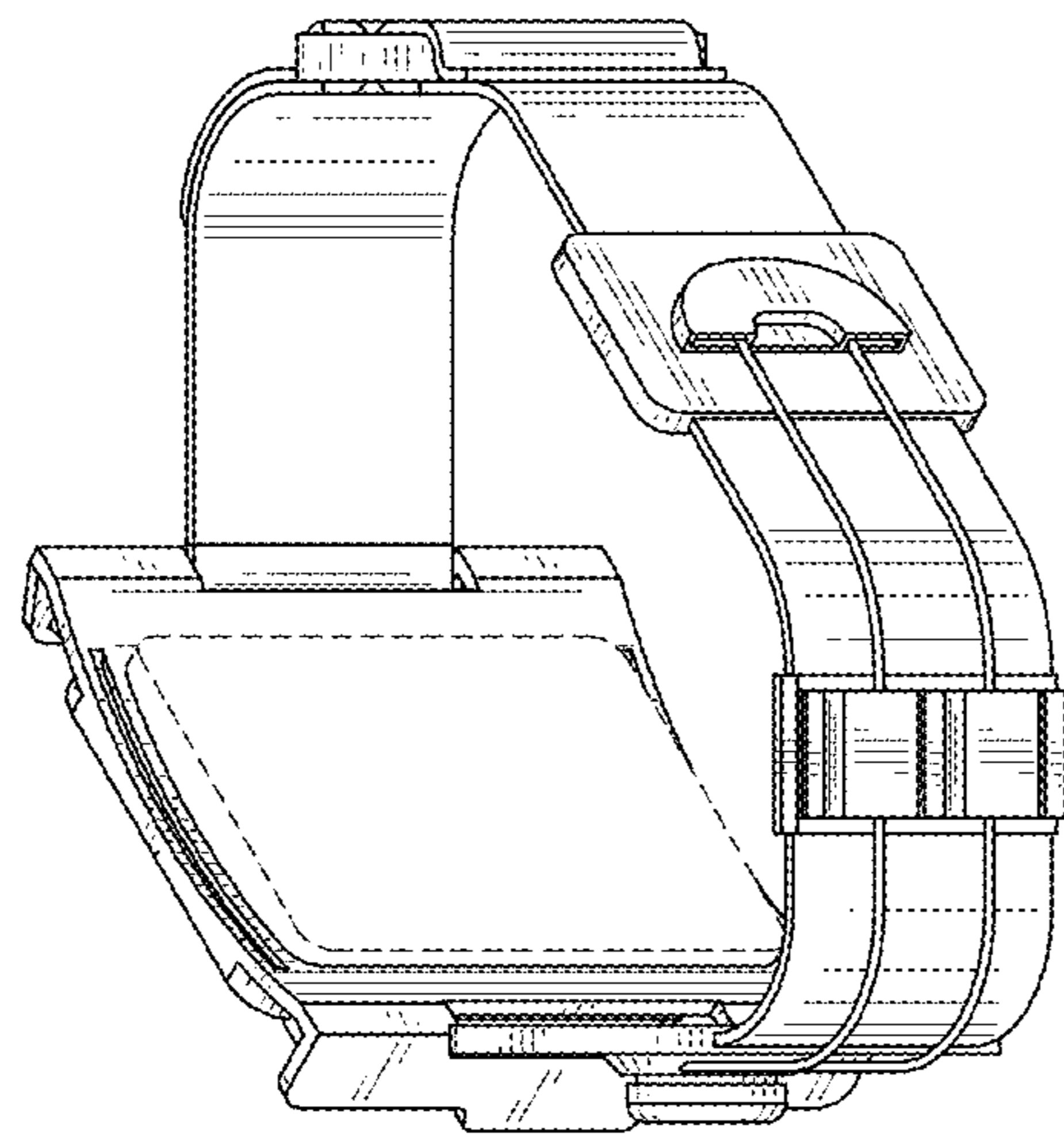


FIG. 10