



US00D879100S

(12) **United States Design Patent**  
**Li et al.**

(10) **Patent No.:** **US D879,100 S**

(45) **Date of Patent:** **\*\* Mar. 24, 2020**

(54) **HAND STRAP**

(71) Applicant: **GETAC TECHNOLOGY CORPORATION**, Hsinchu County (TW)

(72) Inventors: **Chun-Hsing Li**, Taipei (TW); **Wei-Sen Lu**, Taipei (TW)

(73) Assignee: **GETAC TECHNOLOGY CORPORATION**, Hsinchu County (TW)

(\*\*) Term: **15 Years**

(21) Appl. No.: **29/655,499**

(22) Filed: **Jul. 3, 2018**

(30) **Foreign Application Priority Data**

Jan. 5, 2018 (CN) ..... 2018 3 0004550

(51) **LOC (12) Cl.** ..... **14-02**

(52) **U.S. Cl.**  
USPC ..... **D14/432**

(58) **Field of Classification Search**  
USPC ..... D14/372, 496, 432, 371, 125, 126, 129, 144, 345/7-9, 905; 224/218, 224/222; 368/204, 223  
CPC ..... G02B 27/017; G02B 27/0158; G02B 27/0161; G02B 27/0181; G02B 27/0185; G02B 27/0189

See application file for complete search history.

(56) **References Cited**

**U.S. PATENT DOCUMENTS**

D598,919 S \* 8/2009 Takemasa ..... D14/432  
D673,162 S \* 12/2012 Young ..... D14/447  
D716,308 S \* 10/2014 Park ..... D14/432  
D721,373 S \* 1/2015 Logereau ..... D14/432

D743,409 S \* 11/2015 Chen ..... D14/447  
D747,317 S \* 1/2016 Oakley ..... D14/432  
D756,368 S \* 5/2016 Coleman ..... D14/447  
D771,385 S \* 11/2016 Morszeck ..... D3/318  
D792,408 S \* 7/2017 Kuo ..... D14/432  
D868,475 S \* 12/2019 Zhong ..... D3/327

\* cited by examiner

*Primary Examiner* — Austin Murphy

(57) **CLAIM**

The ornamental design for a hand strap, as shown and described.

**DESCRIPTION**

FIG. 1 is a perspective view of a hand strap showing the claimed design;

FIG. 2 is another perspective view thereof;

FIG. 3 is a front elevational view thereof;

FIG. 4 is a rear elevational view thereof;

FIG. 5 is a left side elevational view thereof;

FIG. 6 is a right side elevational view thereof;

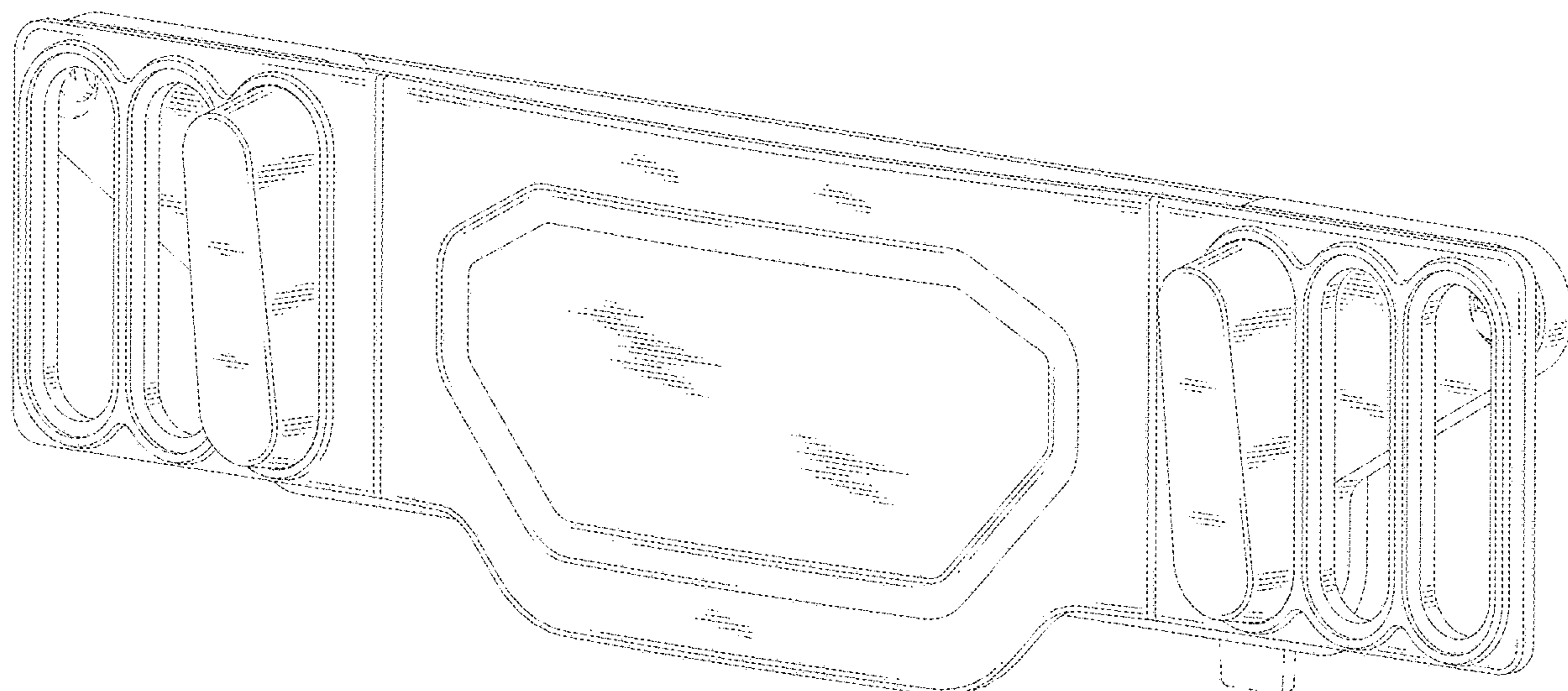
FIG. 7 is a top plan view thereof;

FIG. 8 is a bottom plan view thereof; and,

FIG. 9 is another perspective view showing the hand strap for use with a portable electronic device.

The broken lines are directed to environment and are for illustrative purpose only; the broken lines form no part of the claimed design.

**1 Claim, 9 Drawing Sheets**



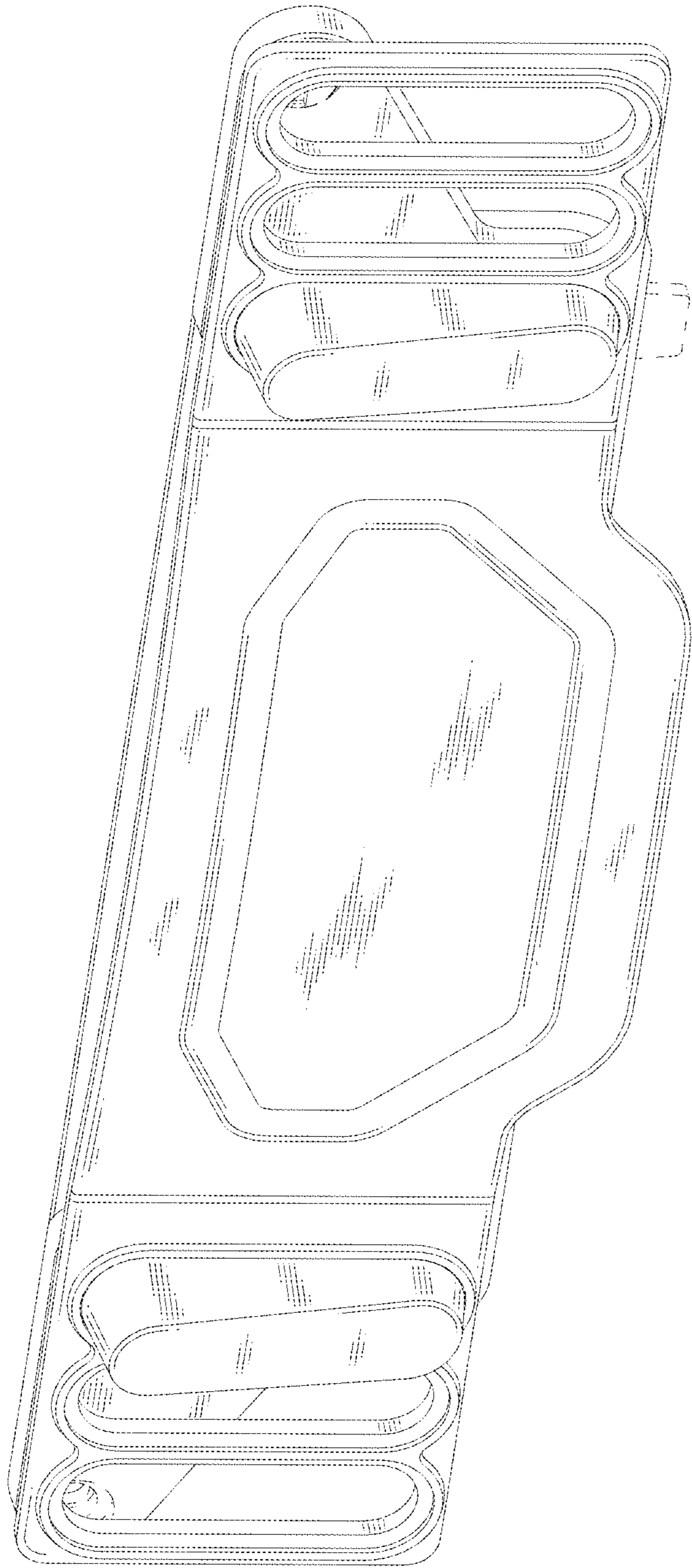


FIG. 1

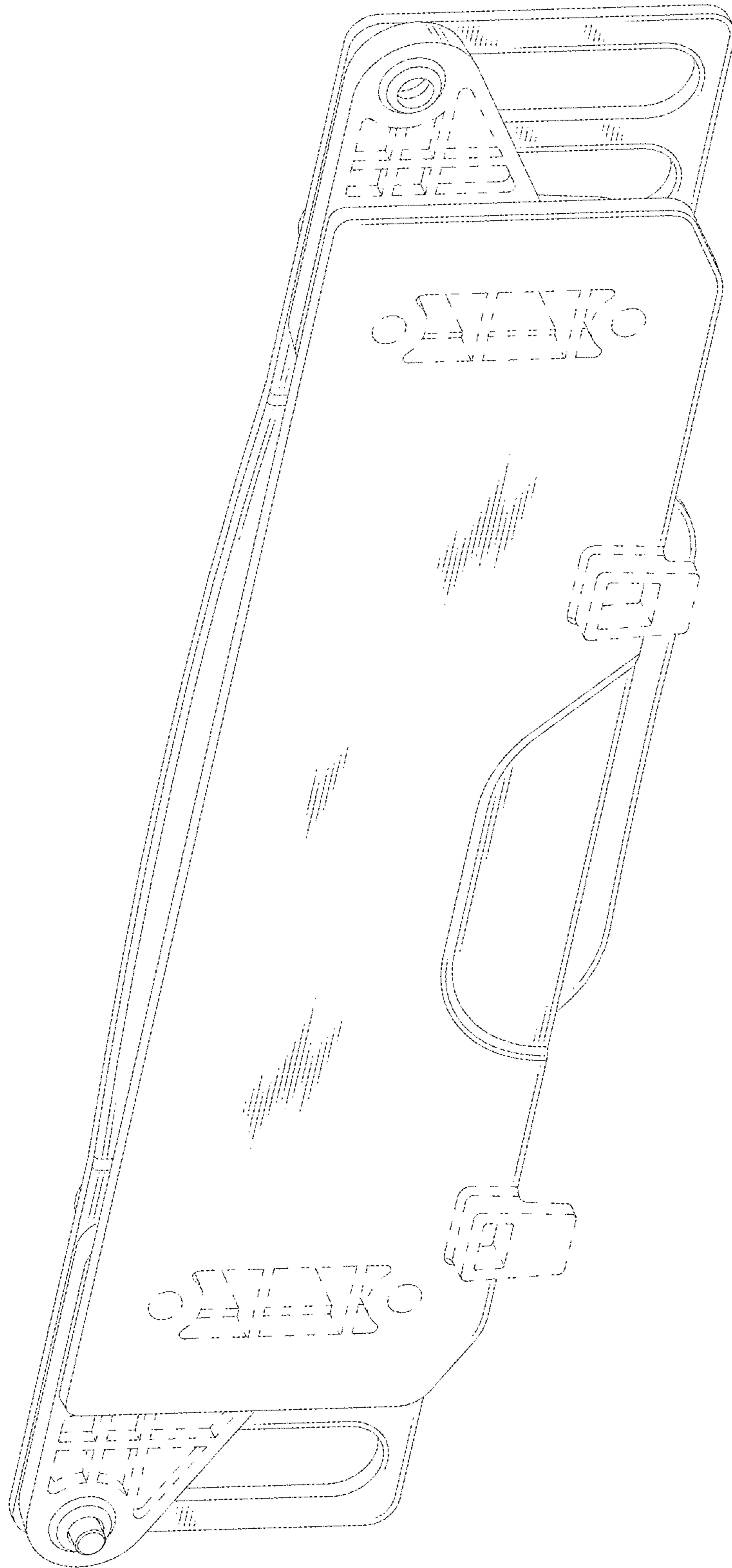


FIG. 2

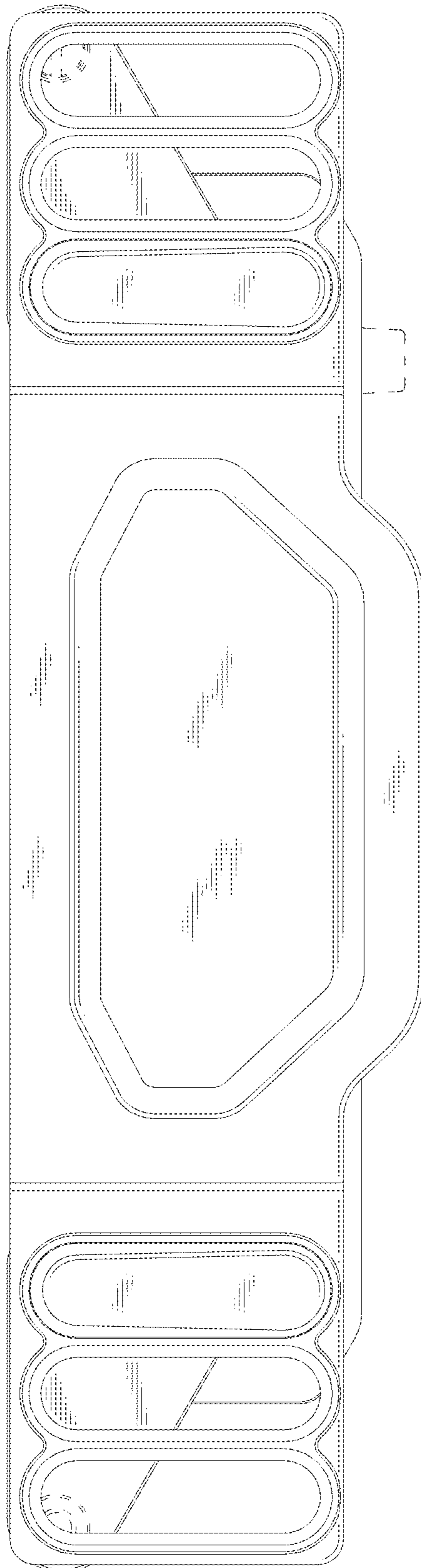


FIG. 3



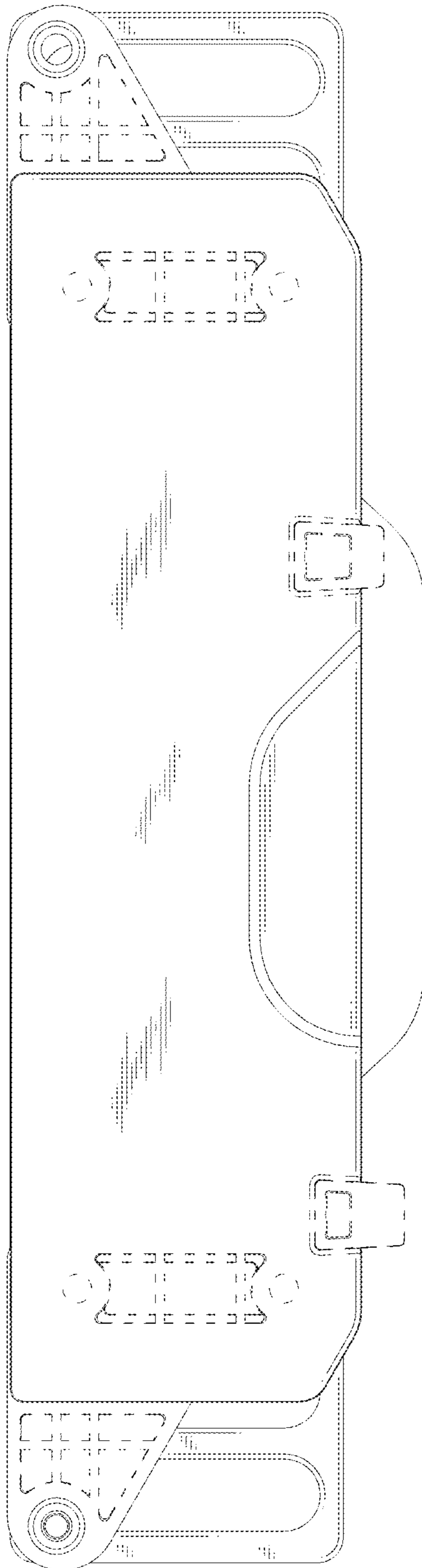


FIG. 4

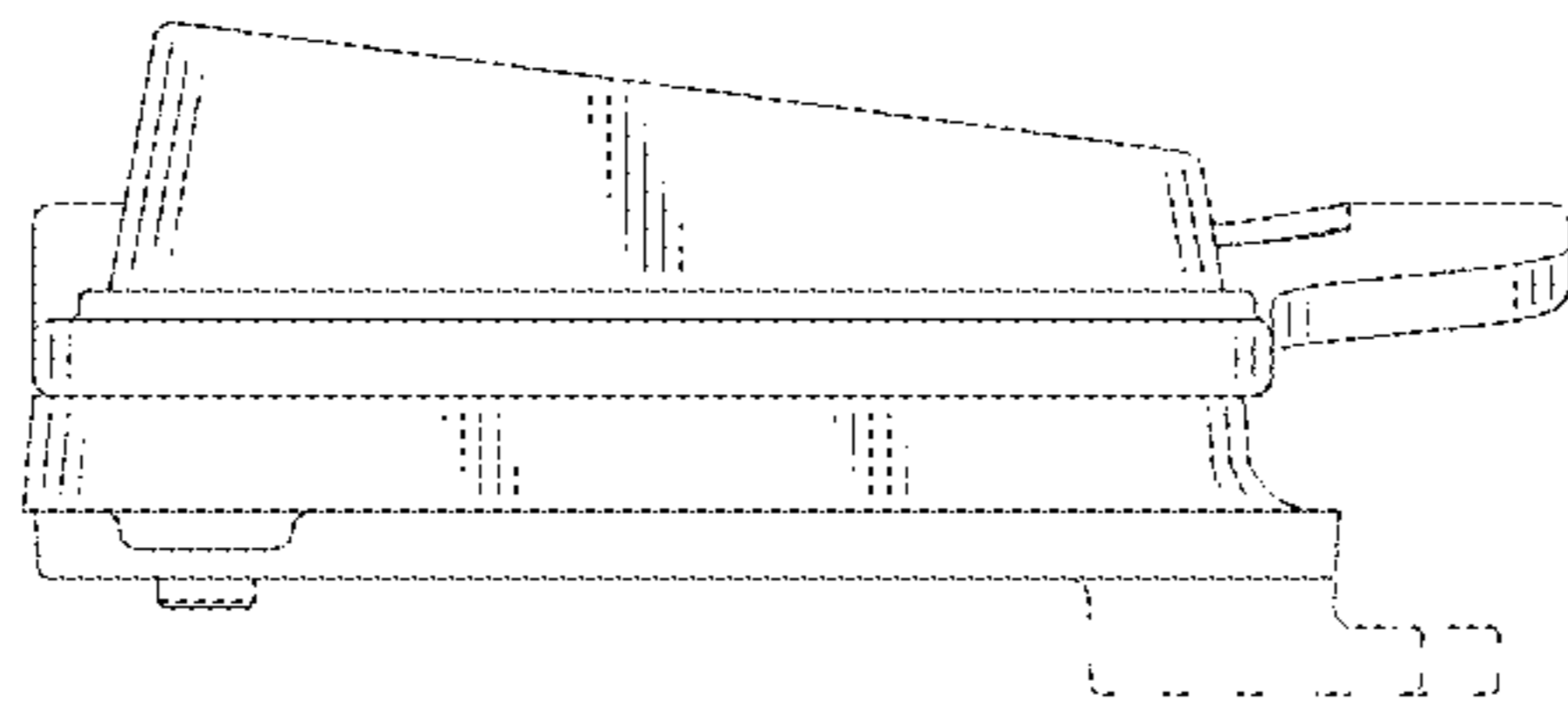


FIG. 5

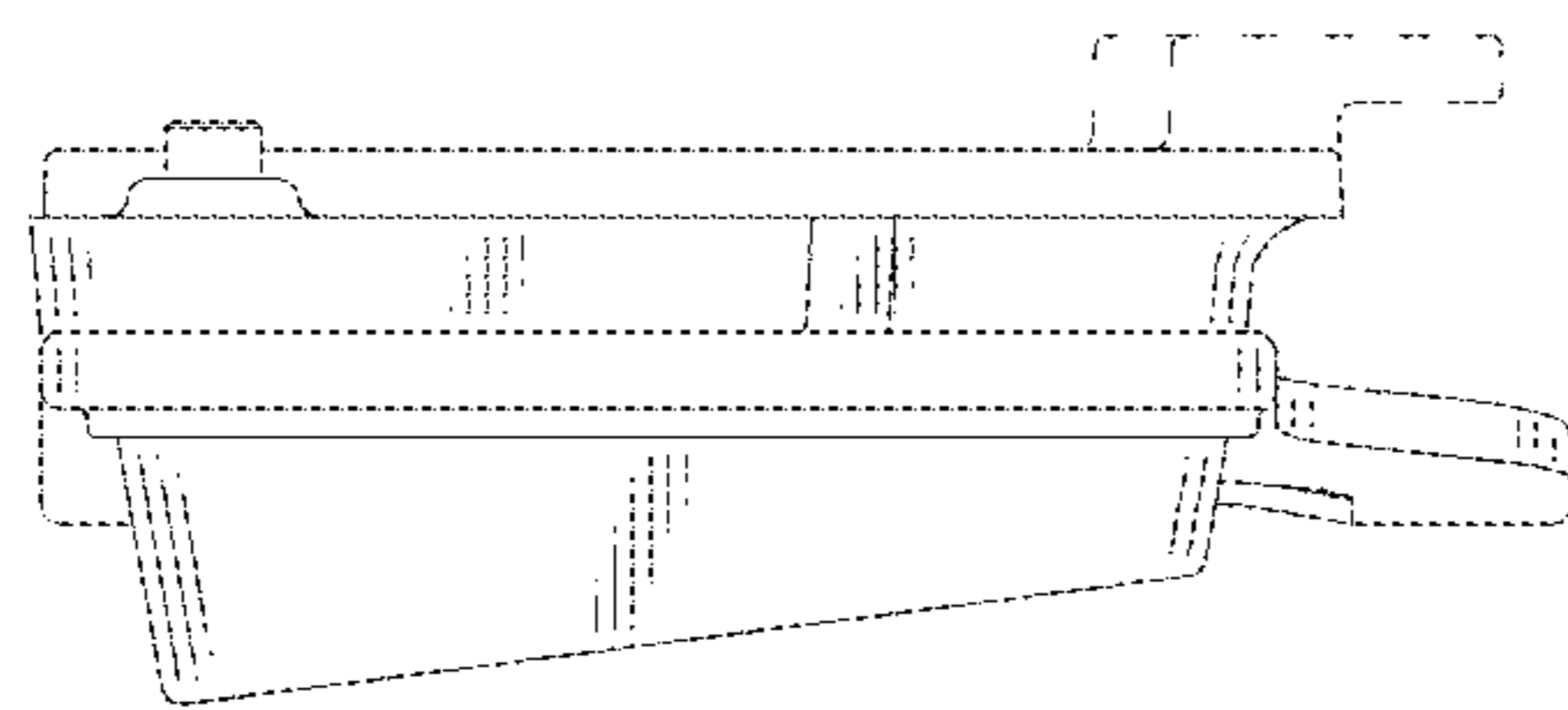


FIG. 6

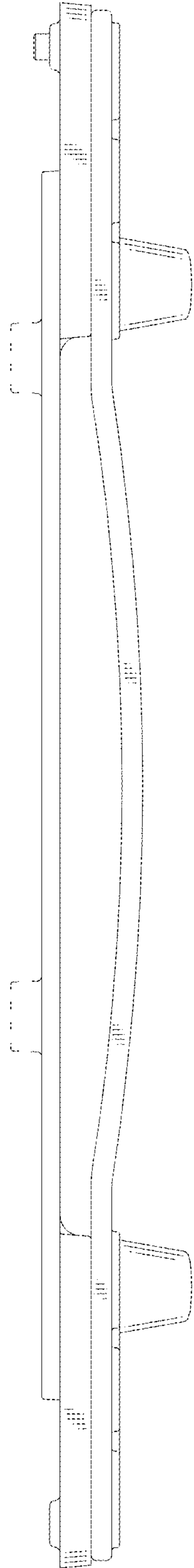


FIG. 7



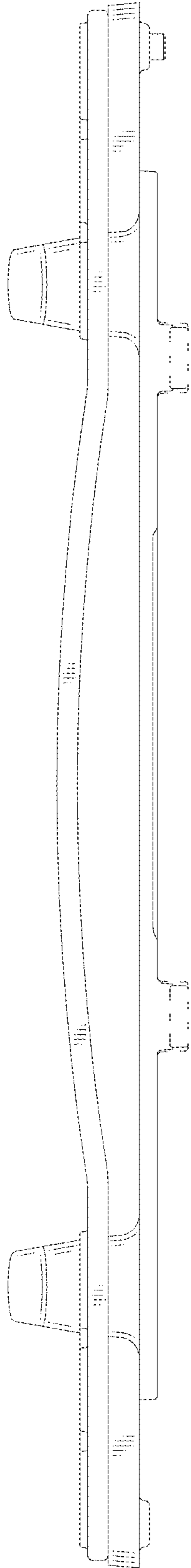


FIG. 8

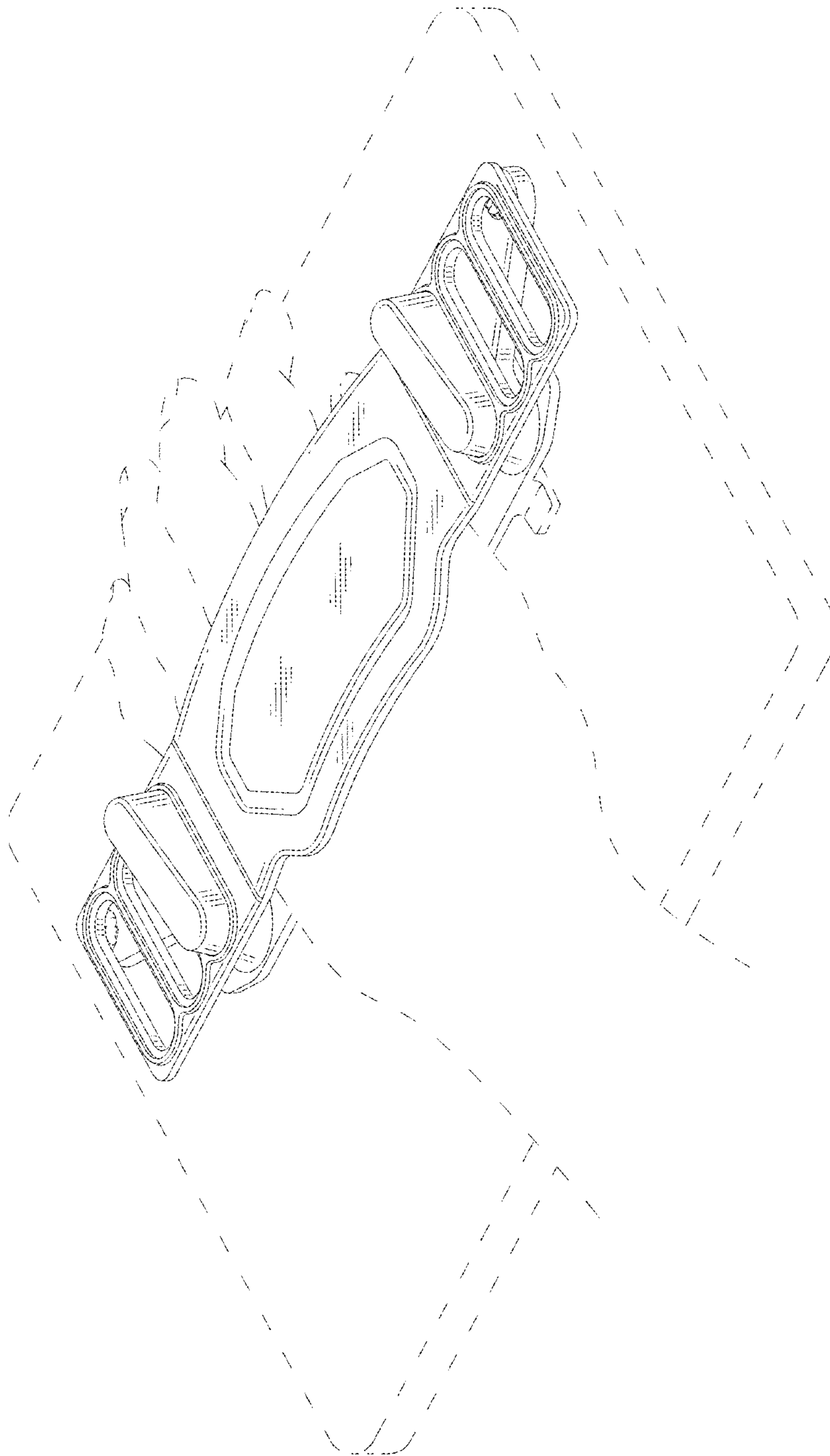


FIG. 9