



US00D879098S

(12) **United States Design Patent**
Wu

(10) **Patent No.:** **US D879,098 S**

(45) **Date of Patent:** **** Mar. 24, 2020**

(54) **STYLUS**

(71) Applicant: **Weiliang Wu**, Guangdong (CN)

(72) Inventor: **Weiliang Wu**, Guangdong (CN)

(**) Term: **15 Years**

(21) Appl. No.: **29/656,955**

(22) Filed: **Jul. 18, 2018**

(51) **LOC (12) Cl.** **14-02**

(52) **U.S. Cl.**
USPC **D14/411**

(58) **Field of Classification Search**
USPC D14/372, 496, 432, 371, 125, 126, 129,
D14/299, 411; D16/300-342; 351/158,
351/153, 144; 345/7-9, 905; 455/344;
348/115, 53, 121, 739
CPC G02B 27/017; G06F 3/016; G06F 3/033;
G06F 3/0317; G06F 3/03545; G06F
3/041; G06K 9/222
See application file for complete search history.

D717,301 S * 11/2014 Groene D14/411
D768,133 S * 10/2016 Reed D14/411
D777,726 S * 1/2017 Nishizawa D14/411
D812,059 S * 3/2018 Lehman D14/411
D812,060 S * 3/2018 Lehman D14/411
D848,426 S * 5/2019 Nishizawa D14/411

* cited by examiner

Primary Examiner — Austin Murphy
(74) *Attorney, Agent, or Firm* — W&K IP

(56) **References Cited**

U.S. PATENT DOCUMENTS

D708,616 S * 7/2014 Nakata D14/411
D708,617 S * 7/2014 Nakata D14/411

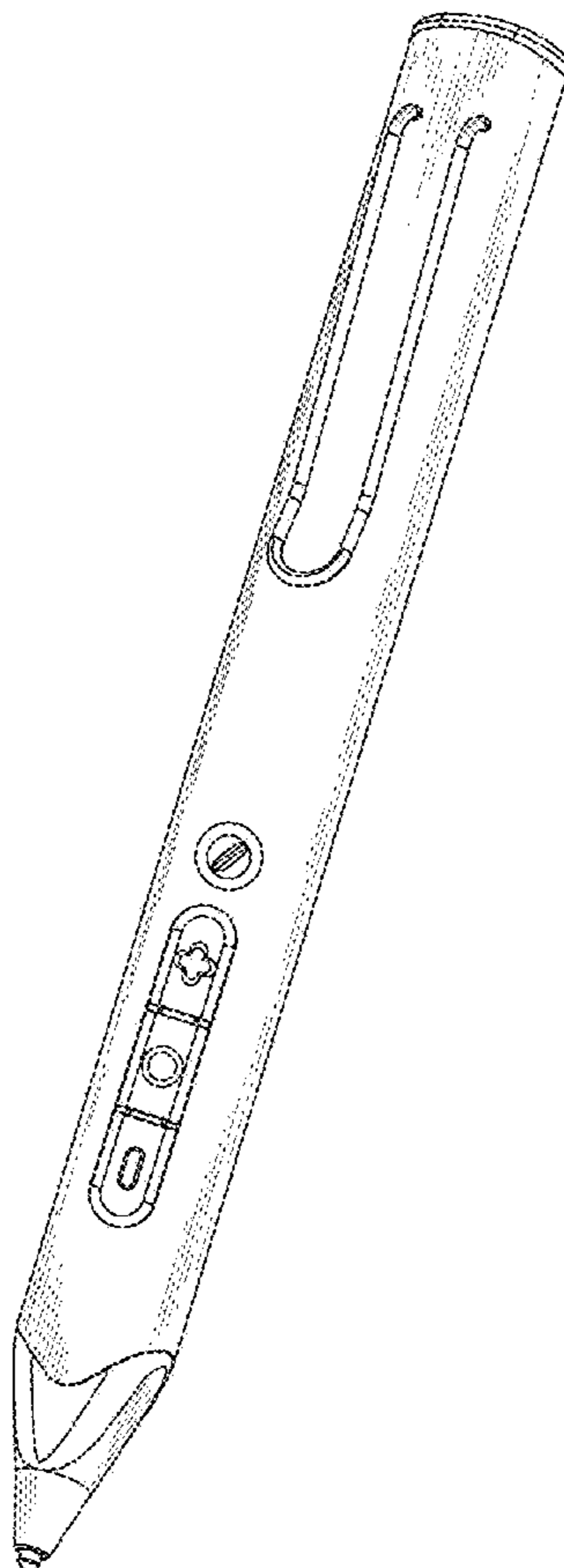
(57) **CLAIM**

The ornamental design for a stylus, as shown and described.

DESCRIPTION

FIG. 1 is a perspective view of a stylus showing my new design;
FIG. 2 is a front elevational view thereof;
FIG. 3 is a rear elevational view thereof;
FIG. 4 is a left side elevational view thereof;
FIG. 5 is a right side elevational view thereof;
FIG. 6 is a top plan view thereof; and,
FIG. 7 is a bottom plan view thereof.

1 Claim, 7 Drawing Sheets



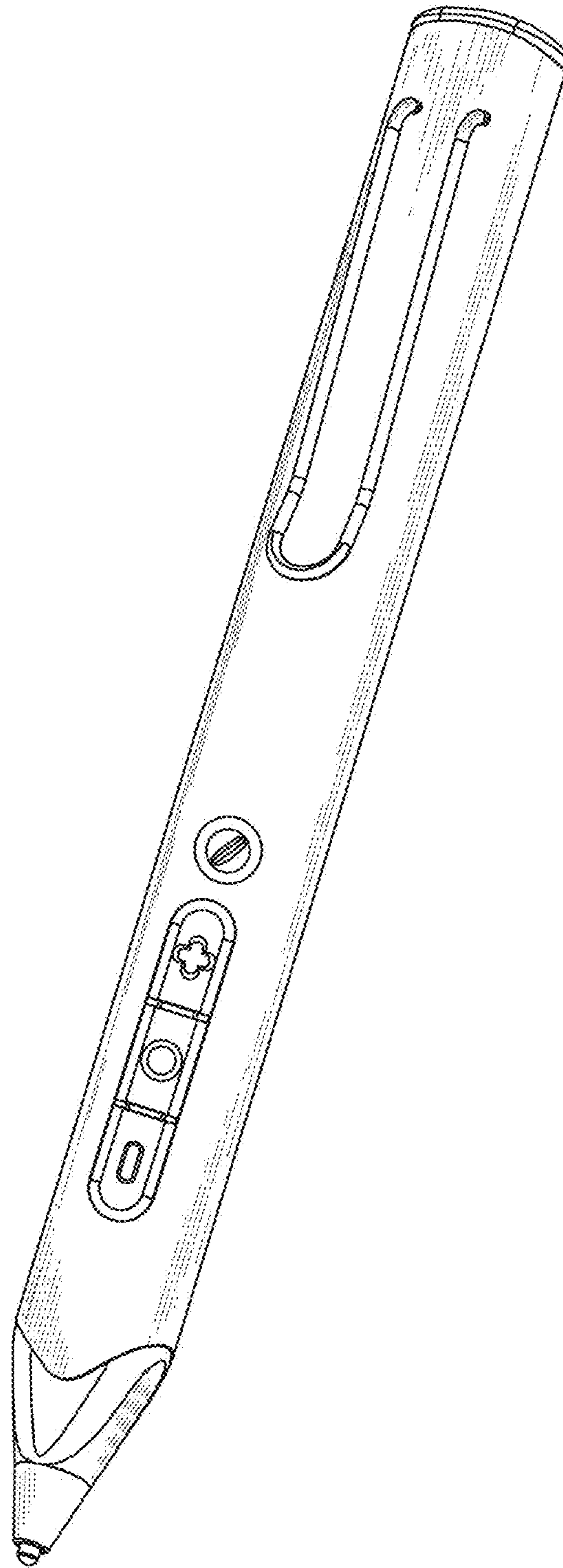


FIG. 1

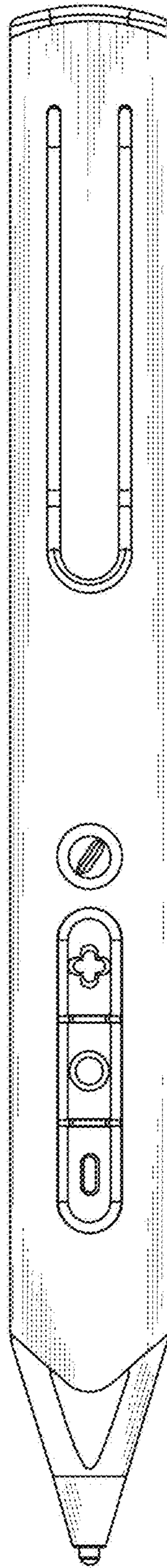


FIG.2

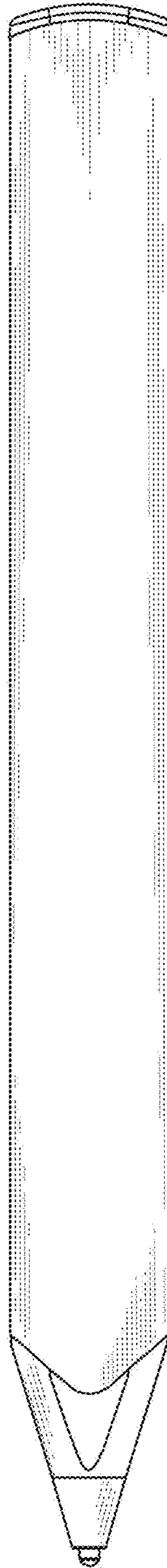


FIG.3

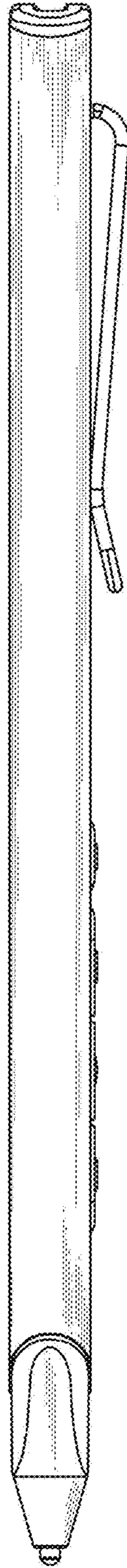


FIG.4

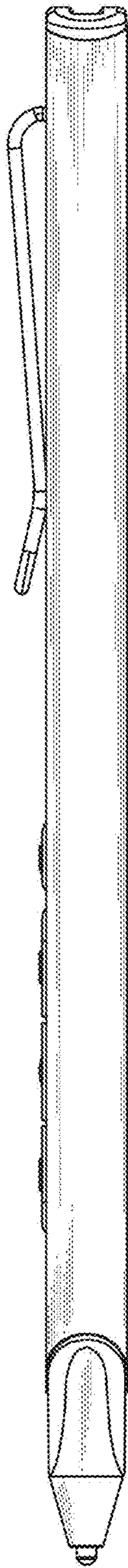


FIG. 5

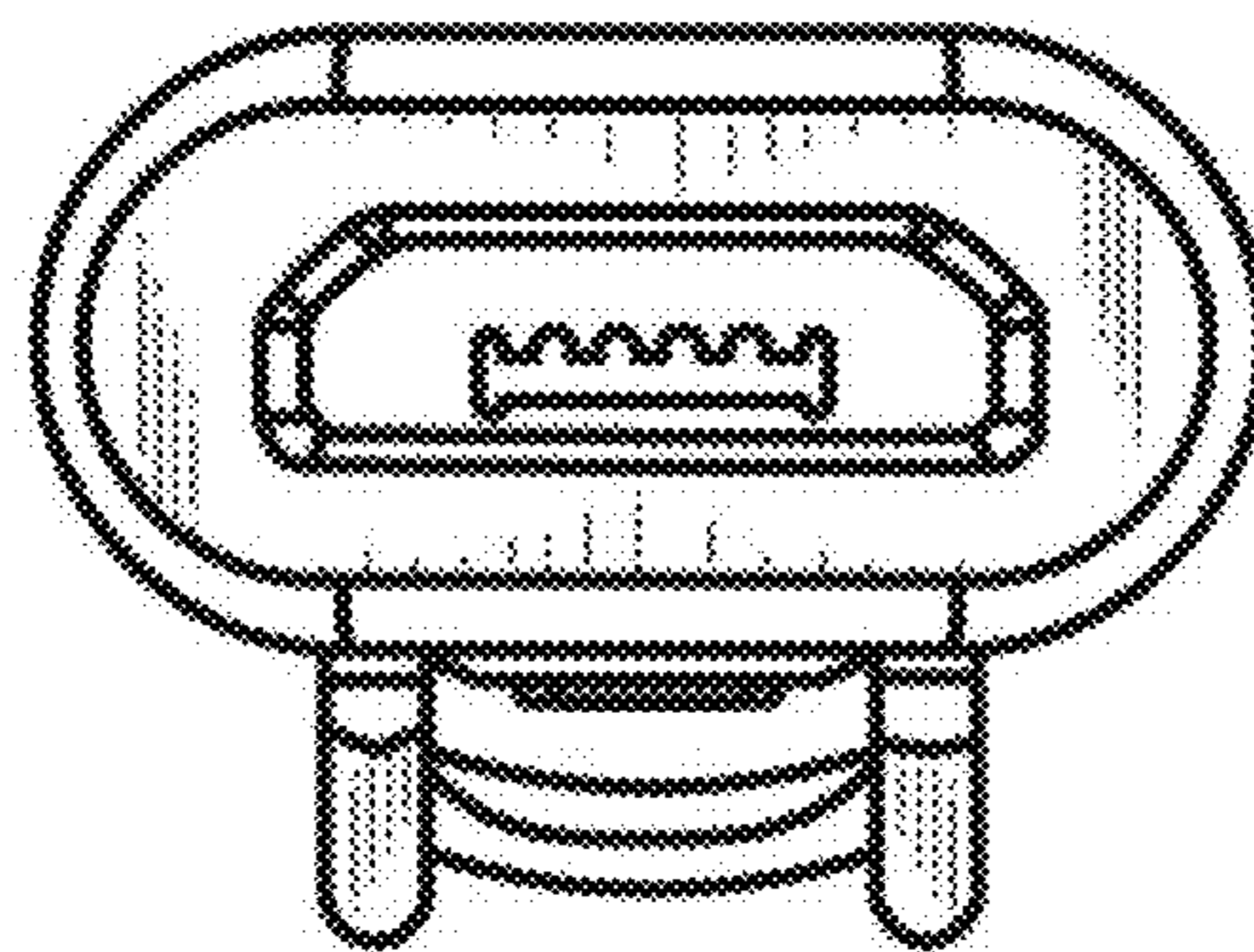


FIG.6

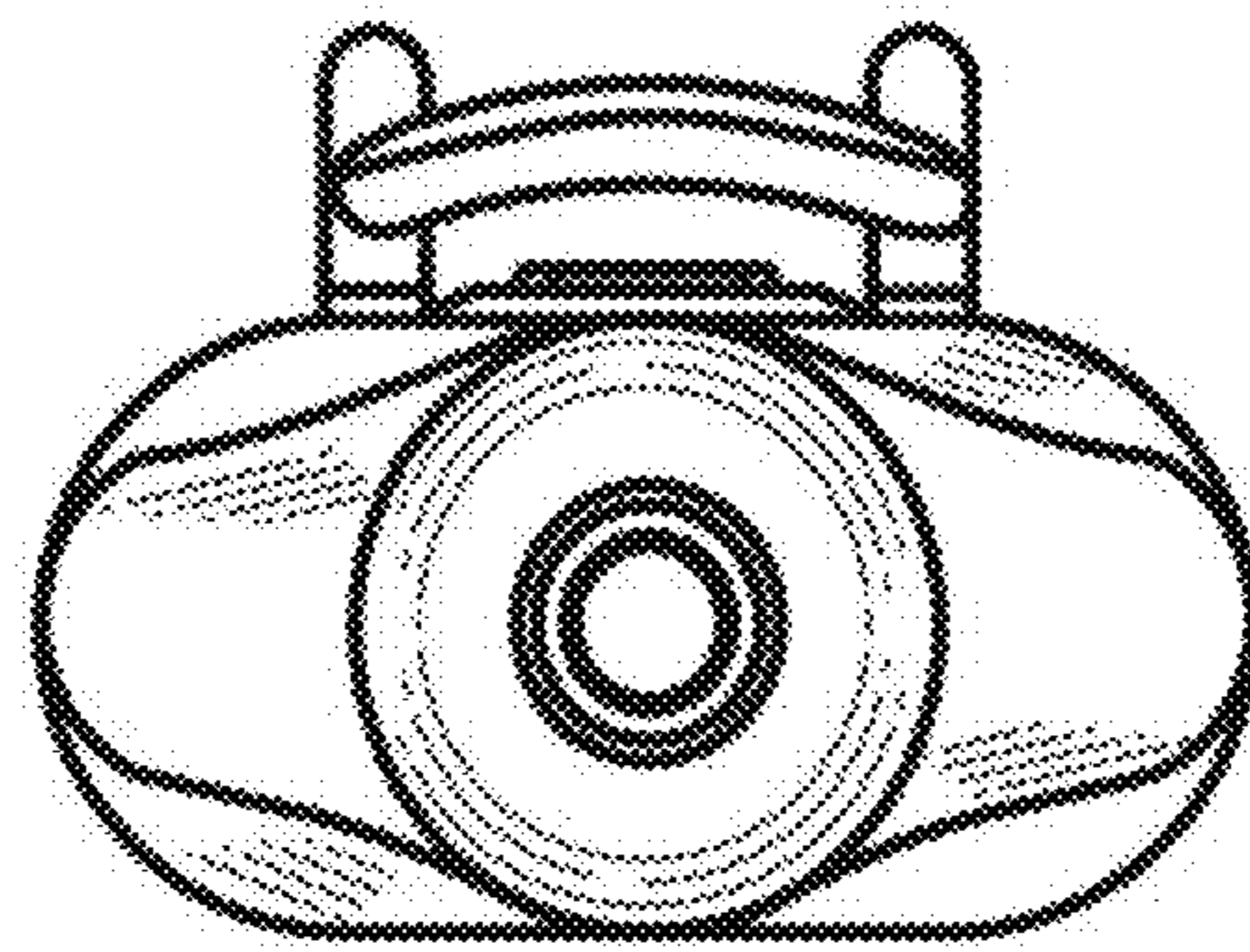


FIG.7