



US00D879095S

(12) **United States Design Patent**
Li et al.

(10) **Patent No.:** **US D879,095 S**
(45) **Date of Patent:** **** Mar. 24, 2020**

(54) **SMARTWATCH FOR CHILDREN**
(71) Applicant: **BEIJING XIAOMI MOBILE SOFTWARE CO., LTD.**, Beijing (CN)
(72) Inventors: **Ningning Li**, Beijing (CN); **Yingchun Xie**, Beijing (CN); **Jie Wu**, Beijing (CN)
(73) Assignee: **Beijing Xiaomi Mobile Software Co., Ltd.**, Beijing (CN)
(**) Term: **15 Years**
(21) Appl. No.: **35/506,407**
(22) Filed: **Jul. 9, 2018**
(80) **Hague Agreement Data**
Int. Filing Date: **Jul. 9, 2018**
Int. Reg. No.: **DM/200320**
Int. Reg. Date: **Jul. 9, 2018**
Int. Reg. Pub. Date: **Mar. 15, 2019**

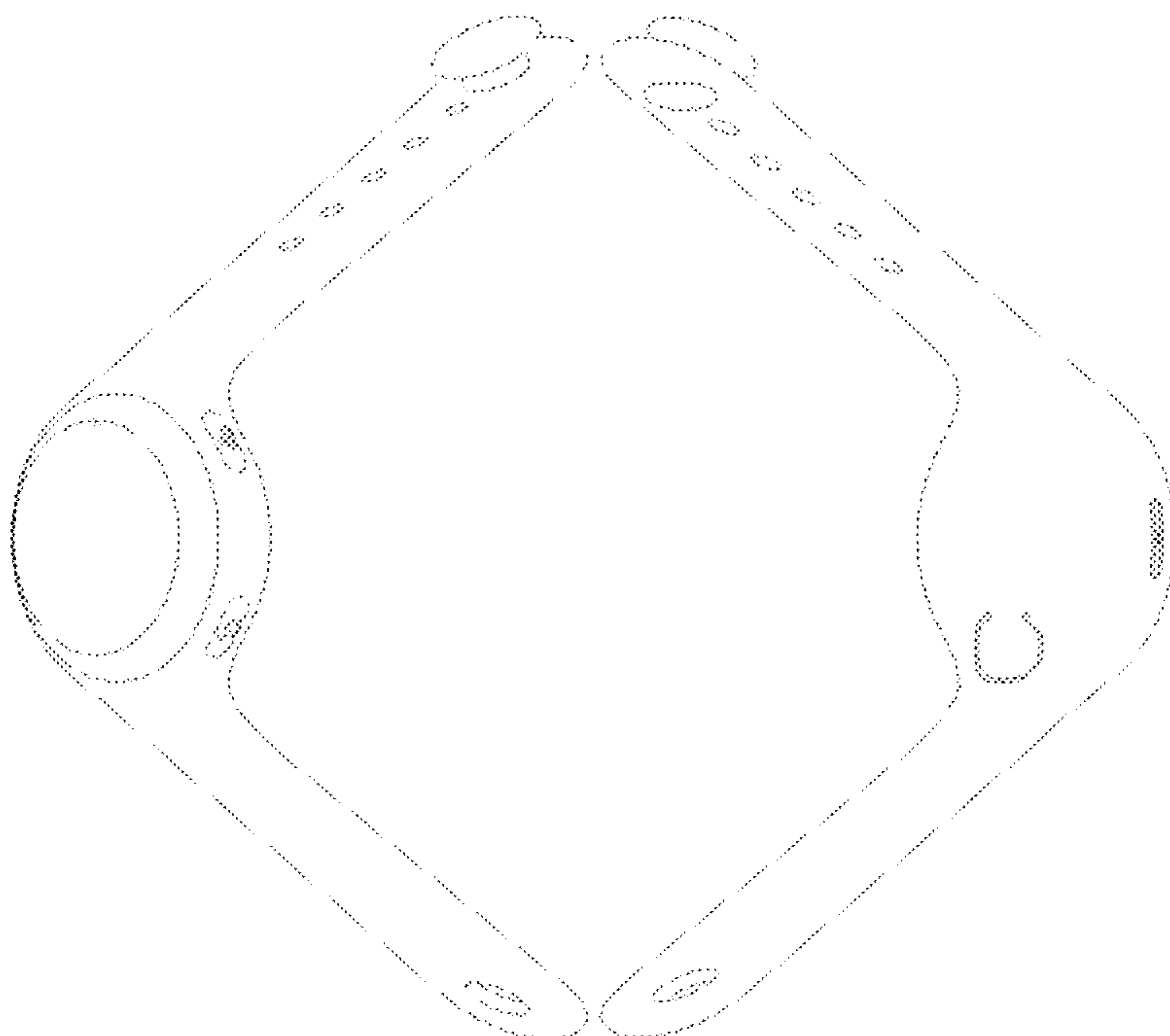
(30) **Foreign Application Priority Data**
Jan. 10, 2018 (CN) 2018 3 0010927
(51) **LOC (12) Cl.** **14-02**
(52) **U.S. Cl.**
USPC **D14/344**
(58) **Field of Classification Search**
USPC 10/344, 358, 138 R, 144
CPC G04G 21/04; G04G 17/045; G04G 17/08;
G04G 17/00; G04G 9/0035; G04G 17/02;
G04G 9/06; G04G 9/087; G04G 9/12
See application file for complete search history.

(56) **References Cited**
U.S. PATENT DOCUMENTS
D657,697 S * 4/2012 Lammers-Meis D10/31
D717,759 S * 11/2014 Choi D10/38
D726,676 S * 4/2015 Park D10/38
D765,524 S * 9/2016 Chen D10/70
D781,852 S * 3/2017 Yu D14/344
D809,511 S * 2/2018 Mistry D14/344
D831,642 S * 10/2018 Seo D14/344
D833,625 S * 11/2018 Guan D24/186
D837,206 S * 1/2019 Guan D14/344
D860,988 S * 9/2019 Haapakoski D14/344
D861,883 S * 10/2019 Verbrugge D24/186
D862,463 S * 10/2019 Mao D14/344
D864,011 S * 10/2019 Moon D11/3

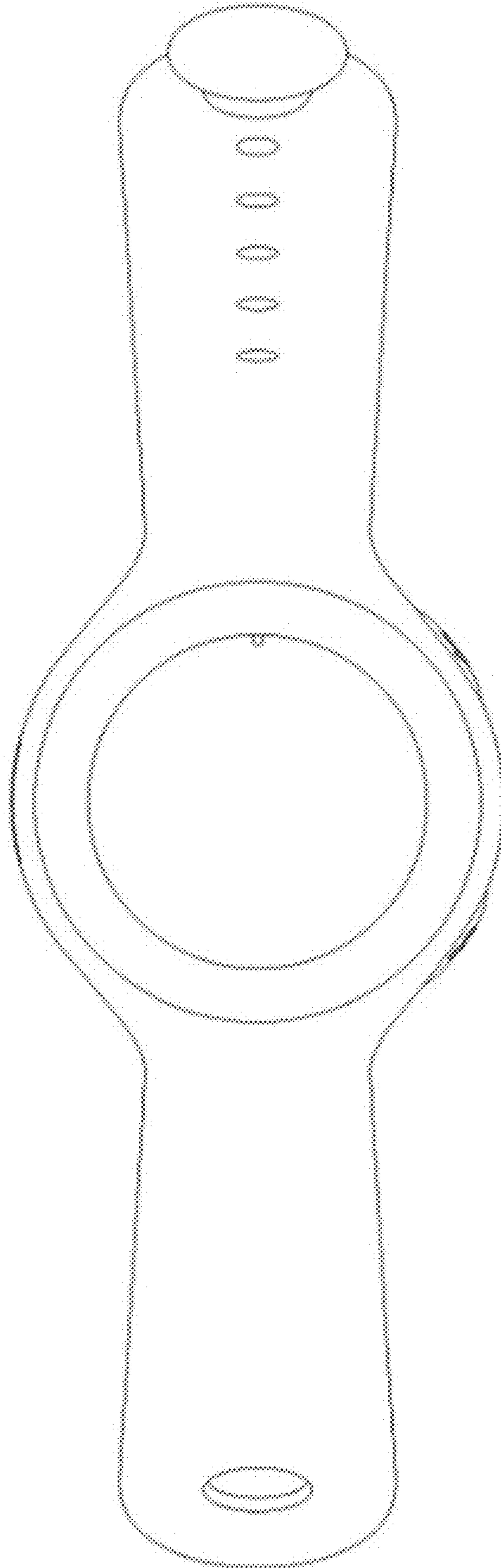
* cited by examiner
Primary Examiner — Michael A. Pratt
(74) *Attorney, Agent, or Firm* — Dickinson Wright PLLC

(57) **CLAIM**
The ornamental design for smartwatch for children, as shown and described.

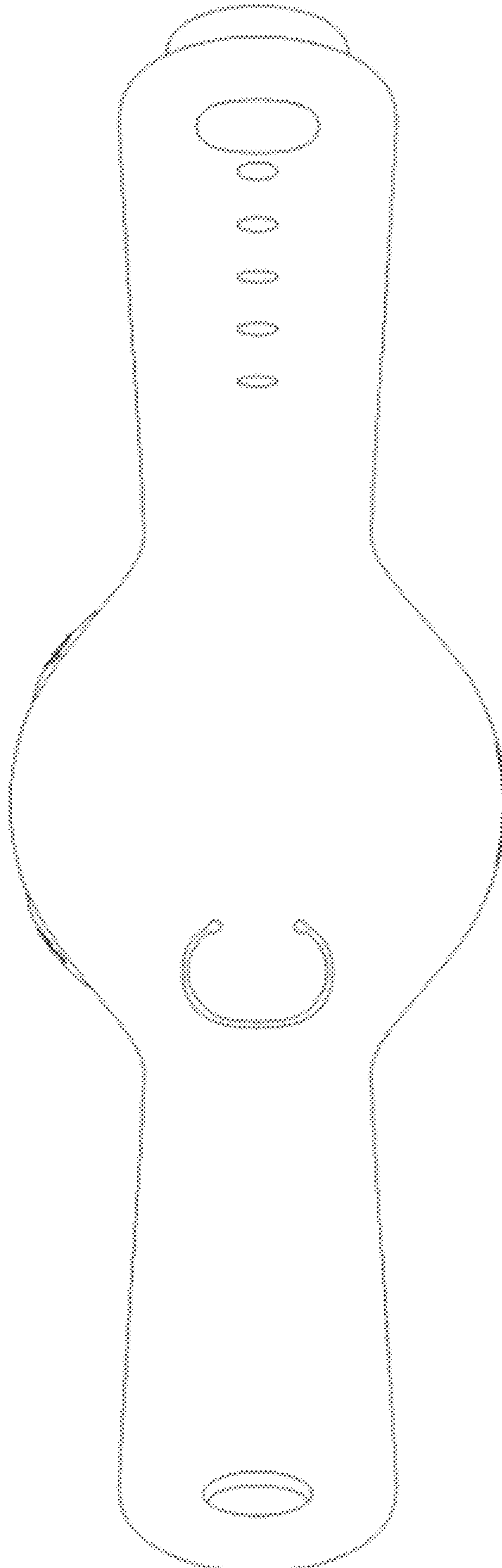
DESCRIPTION
1. Smartwatch for children
1.1: Front
1.2: Rear
1.3: Left
1.4: Rear
1.5: Side
1.6: Perspective
1.7: Perspective
1 Claim, 7 Drawing Sheets



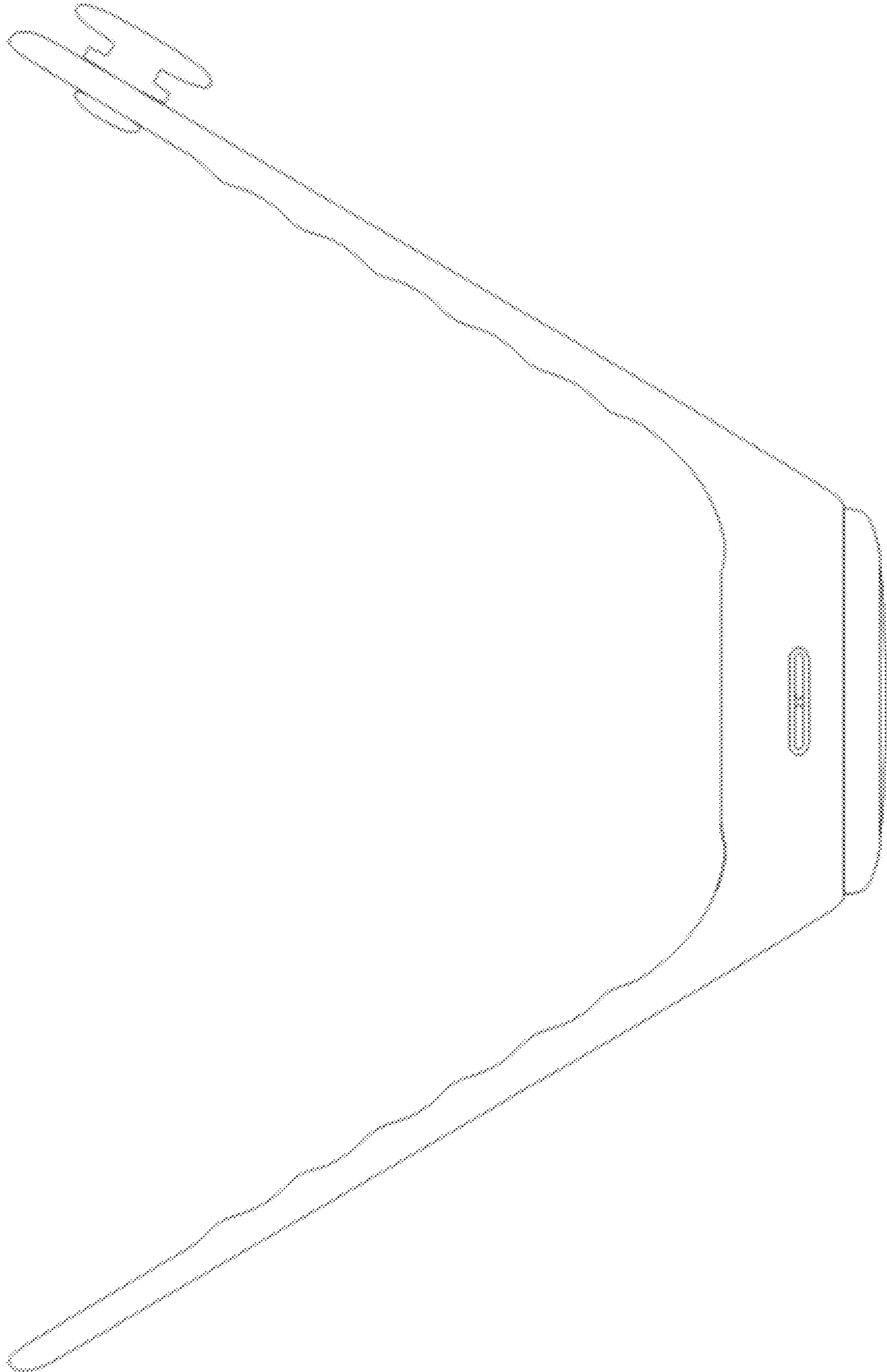
1.1



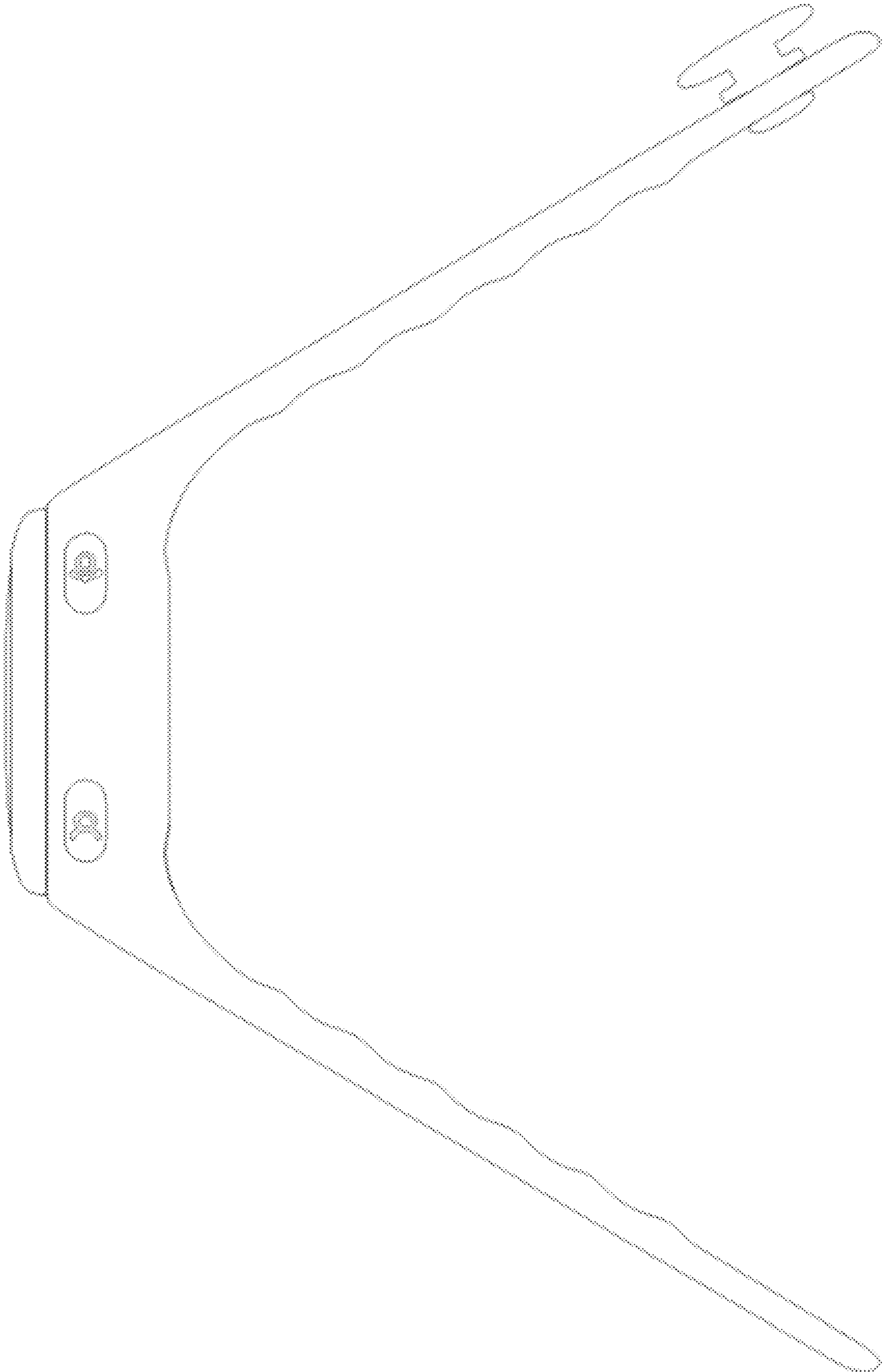
1.2



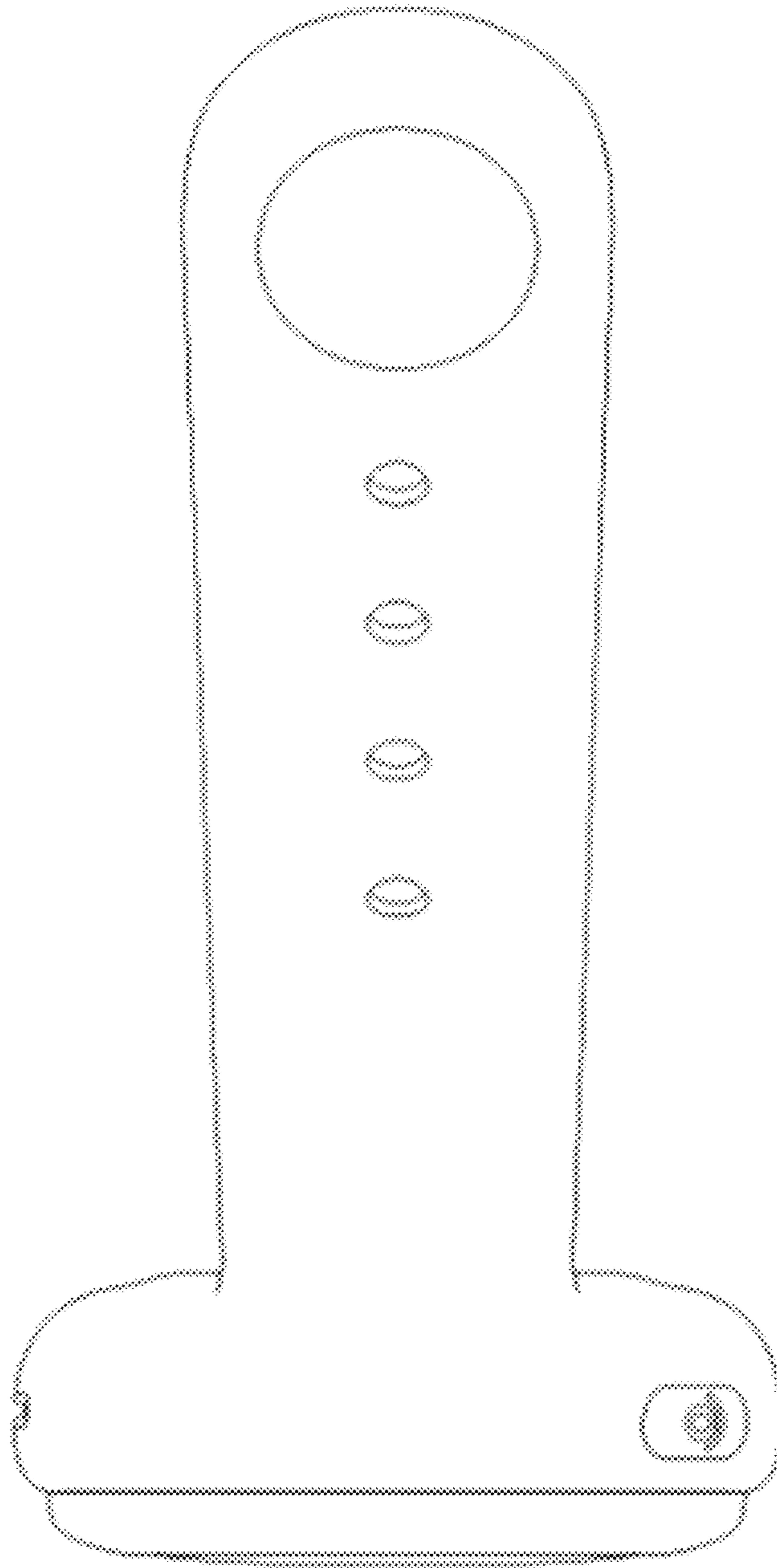
1.3



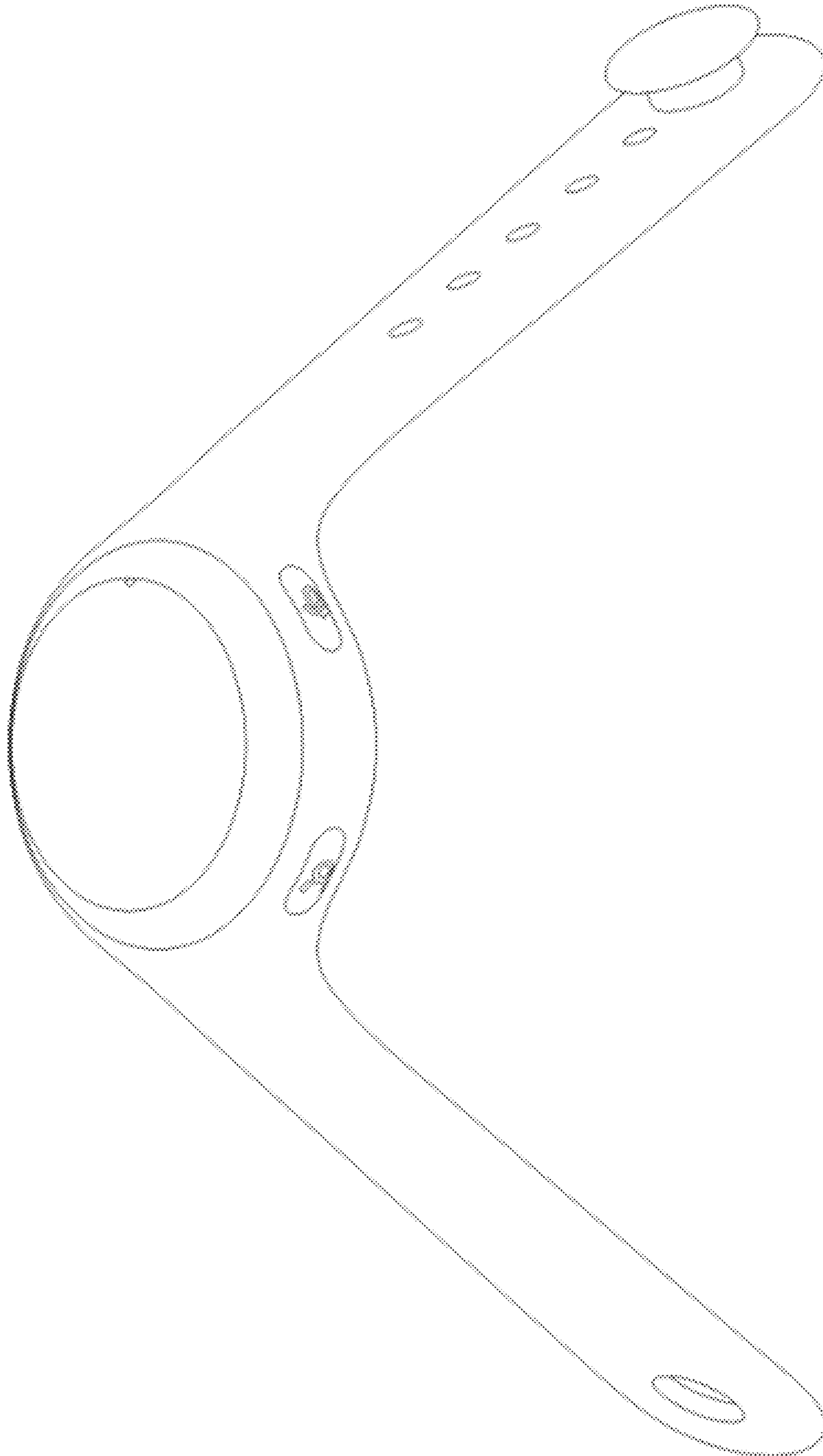
1.4



1.5



1.6



1.7

