



US00D879090S

(12) **United States Design Patent**
Chung

(10) **Patent No.:** **US D879,090 S**

(45) **Date of Patent:** **** Mar. 24, 2020**

(54) **HOLDER FOR SMART DEVICE**

(71) Applicant: **ISPEAKER CO., LTD.**, Goyang-Si,
Gyeonggi-Do (KR)

(72) Inventor: **Young Suk Chung**, Goyang-Si (KR)

(73) Assignee: **ISPEAKER CO., LTD.** (KR)

(**) Term: **15 Years**

(21) Appl. No.: **29/658,144**

(22) Filed: **Jul. 27, 2018**

(30) **Foreign Application Priority Data**

May 14, 2018 (KR) 30-2018-0022290

(51) **LOC (12) Cl.** **14-99**

(52) **U.S. Cl.**
USPC **D14/253; D12/415**

(58) **Field of Classification Search**
USPC D14/250-254, 217, 224, 224.1, 238.1,
D14/299, 434, 447, 451-452, 483;
D12/400, 415-426, 426.1, 114, 223;
D16/242, 245; D10/74; D3/218;
D13/107, 108; D8/363

CPC B60R 11/00; B60R 11/02; B60R 11/0241;
B60R 11/0252; B60R 2011/0003; B60R
2011/0005; B60R 2011/0008; H04M
1/04; H04B 1/3877; A45F 2200/0516;
A45F 2200/0525; H05K 5/0204; F16M
13/02; F16M 13/022; F16M 11/04; F16M
11/041; F16B 2/12; H01F 7/0252; G03B
17/561

See application file for complete search history.

(56) **References Cited**

U.S. PATENT DOCUMENTS

D553,957 S * 10/2007 Brassard D8/363
D566,530 S * 4/2008 Brassard D8/363
D592,205 S * 5/2009 O'Brien D12/415

D592,206 S * 5/2009 O'Brien D12/415
D613,731 S * 4/2010 Yeo D14/253
D638,008 S * 5/2011 Richter D14/253
D654,120 S * 2/2012 Lin D14/434
D718,297 S * 11/2014 Aspinall D14/253
D769,235 S * 10/2016 Li D14/253
D799,469 S * 10/2017 Esses D14/253
D817,317 S * 5/2018 Lee D14/253
D818,421 S * 5/2018 Hu D12/415
D819,015 S * 5/2018 Lee D14/253

(Continued)

OTHER PUBLICATIONS

VRS Design Accessories Mechanic Mount, online, no post date,
URL: <https://vrsdesign.com/products/accessories-mechanic-mount>,
retrieved Aug. 29, 2019.*

Primary Examiner — Jeffrey D Asch

Assistant Examiner — Rebekah A Caruso

(74) *Attorney, Agent, or Firm* — Renaissance IP Law
Group LLP

(57) **CLAIM**

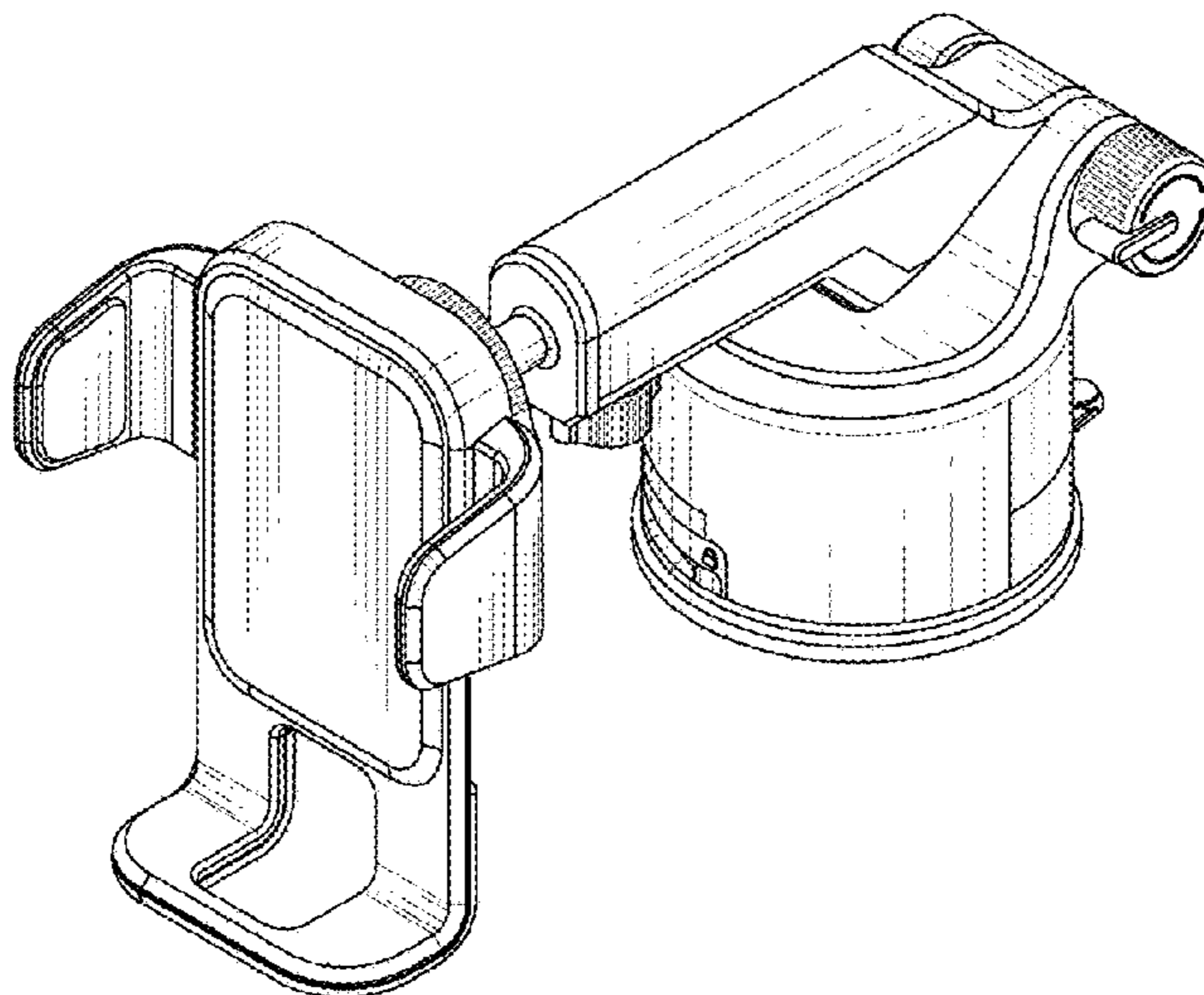
The ornamental design for a holder for smart device, as
shown and described.

DESCRIPTION

FIG. 1 is a perspective view of a holder for smart device
showing my new design;
FIG. 2 is a rear perspective view thereof, showing the holder
for smart device in an alternate position;
FIG. 3 is a front elevational view thereof, showing the holder
for smart device in the FIG. 1 position;
FIG. 4 is a rear elevational view thereof;
FIG. 5 is a left elevational view thereof;
FIG. 6 is a right elevational view thereof;
FIG. 7 is a top plan view thereof; and,
FIG. 8 is a bottom plan view thereof.

The broken lines depicting a smart device in FIG. 2 repre-
sent environmental subject matter which form no part of the
claimed design.

1 Claim, 8 Drawing Sheets



(56)

References Cited

U.S. PATENT DOCUMENTS

D832,248 S * 10/2018 Sukphist D14/253
D833,369 S * 11/2018 Lan D12/415
D852,116 S * 6/2019 Jun D12/415
2007/0278373 A1* 12/2007 Wang B60R 11/00
248/419
2008/0245935 A1* 10/2008 Kaneda F16M 11/041
248/206.2
2019/0230205 A1* 7/2019 Lee H04M 1/04

* cited by examiner

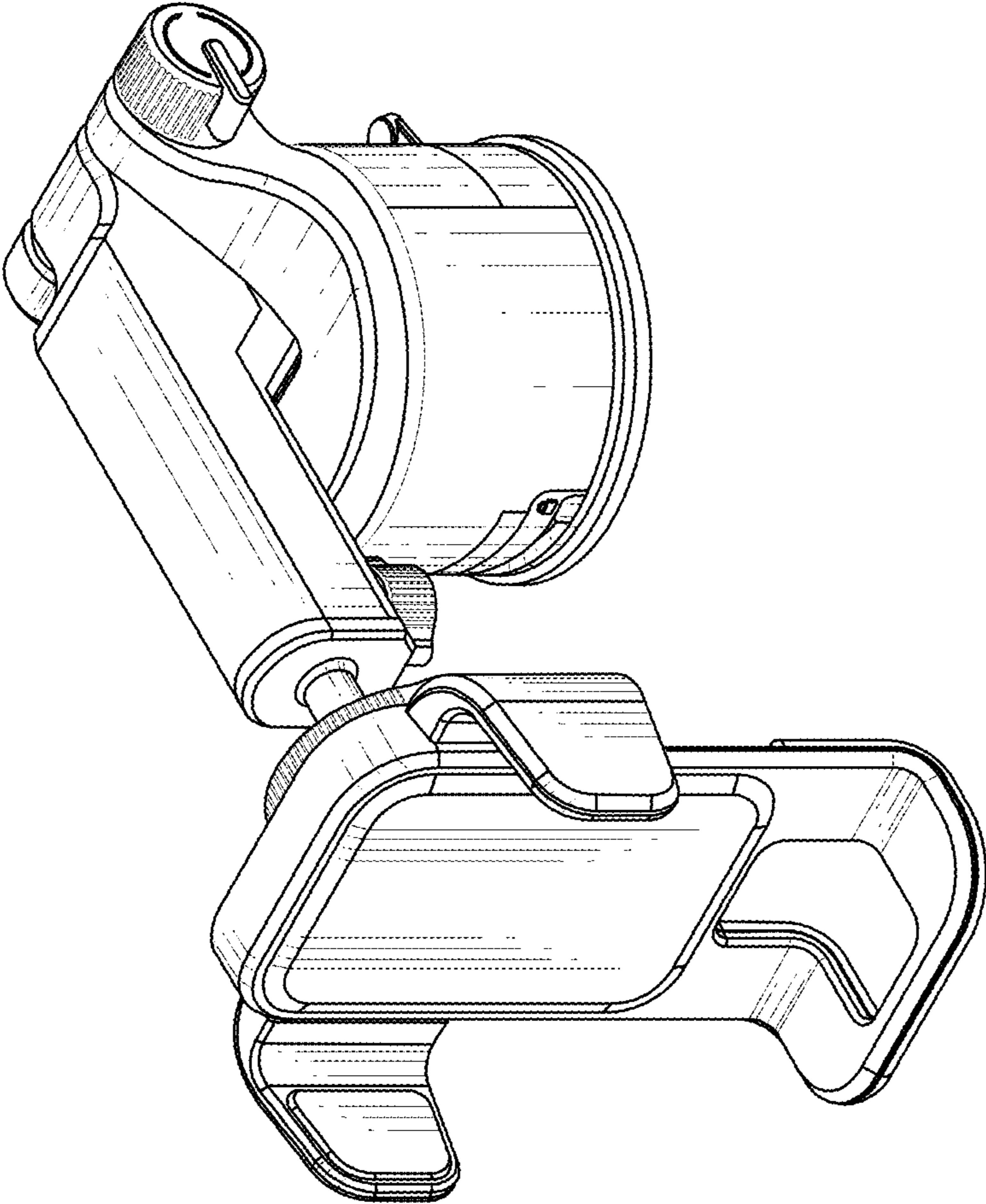


FIG. 1

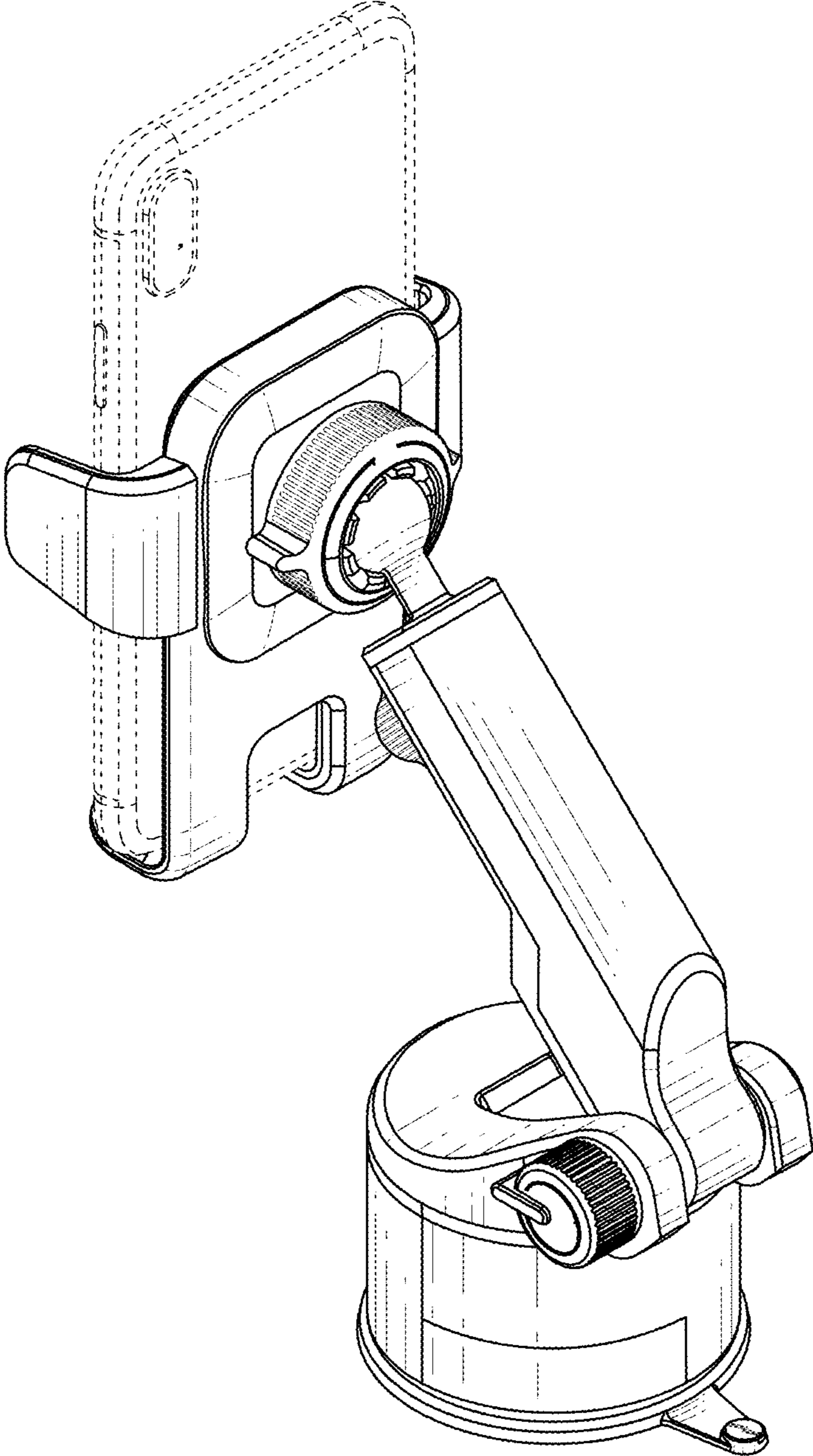


FIG. 2

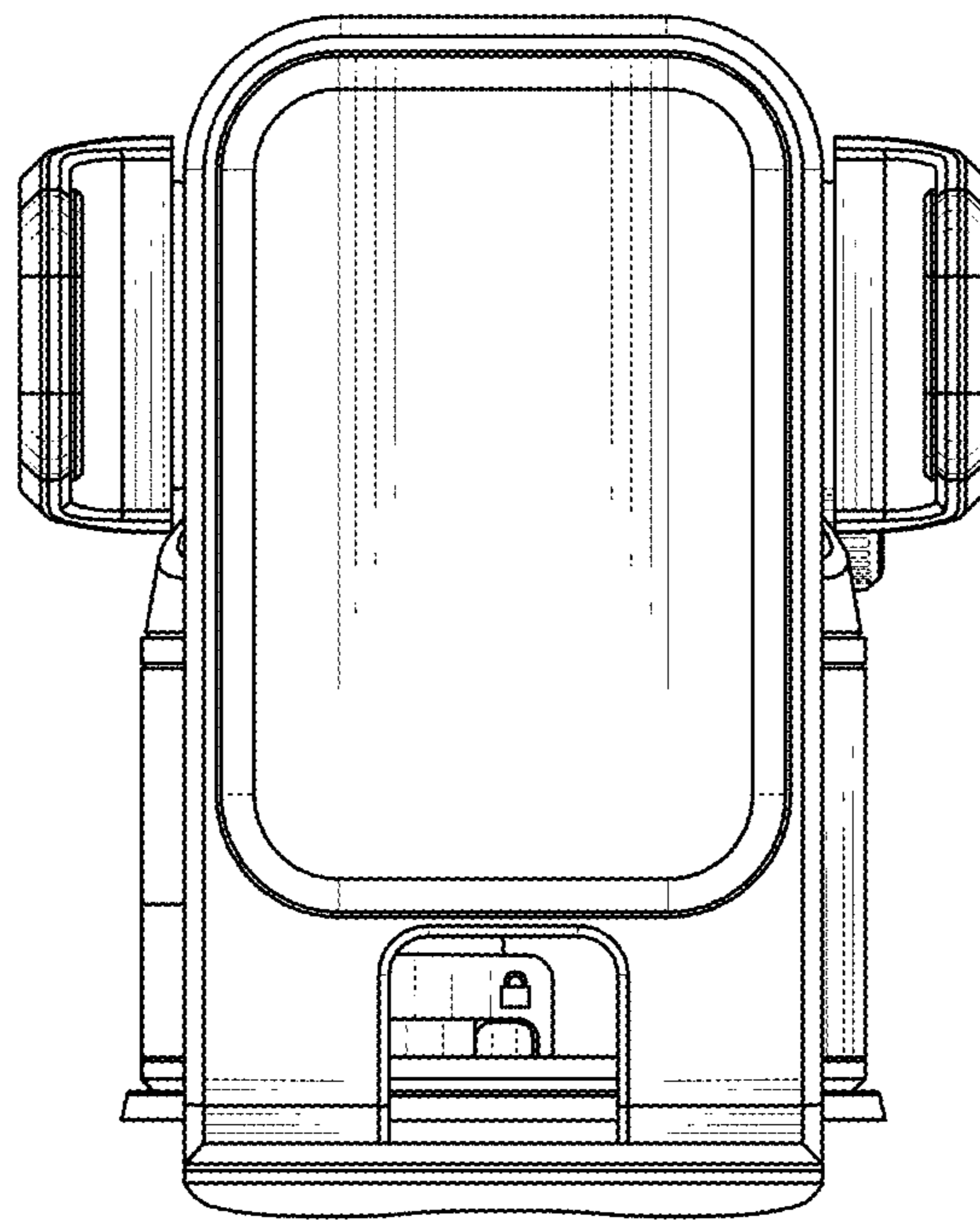


FIG. 3

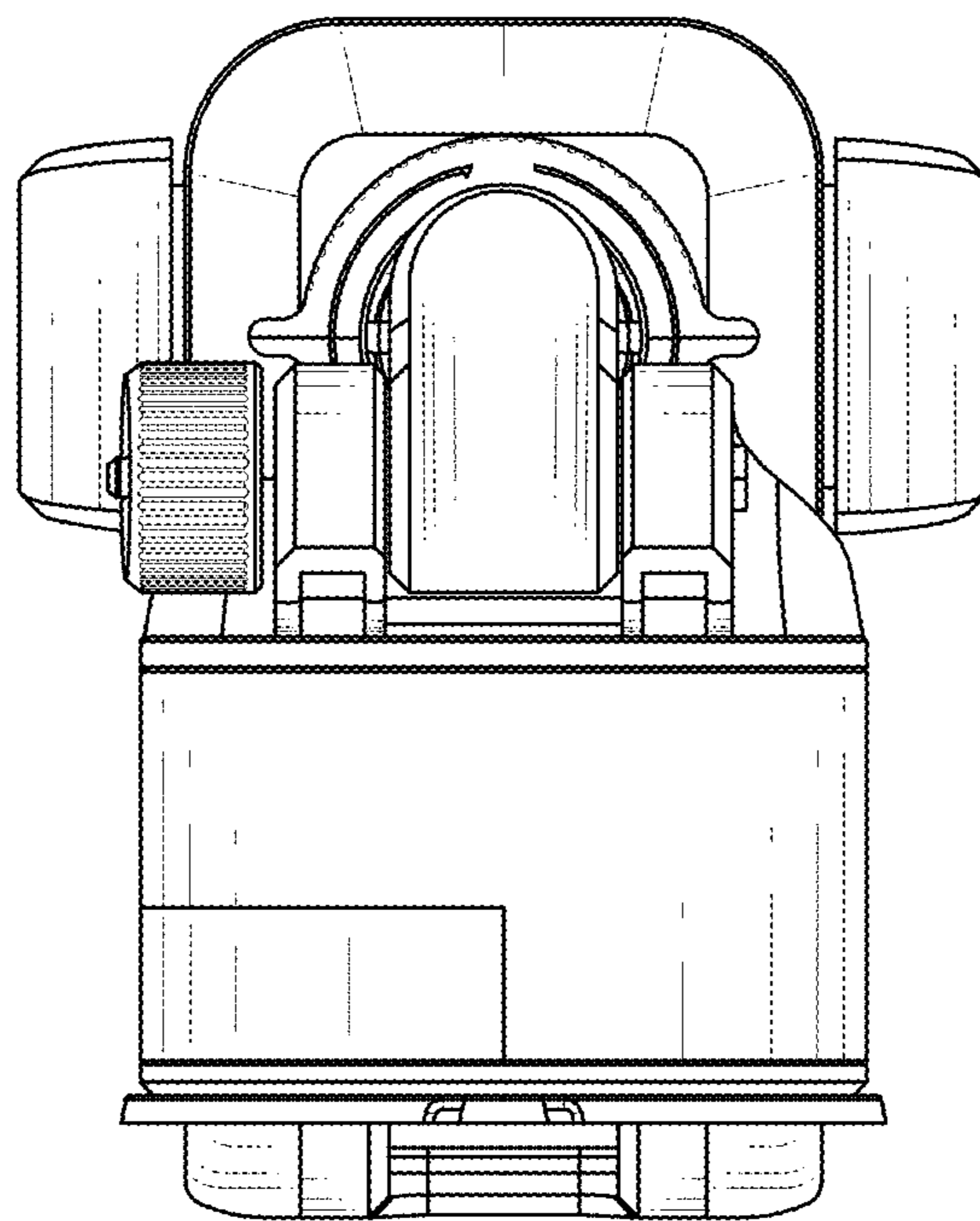


FIG. 4

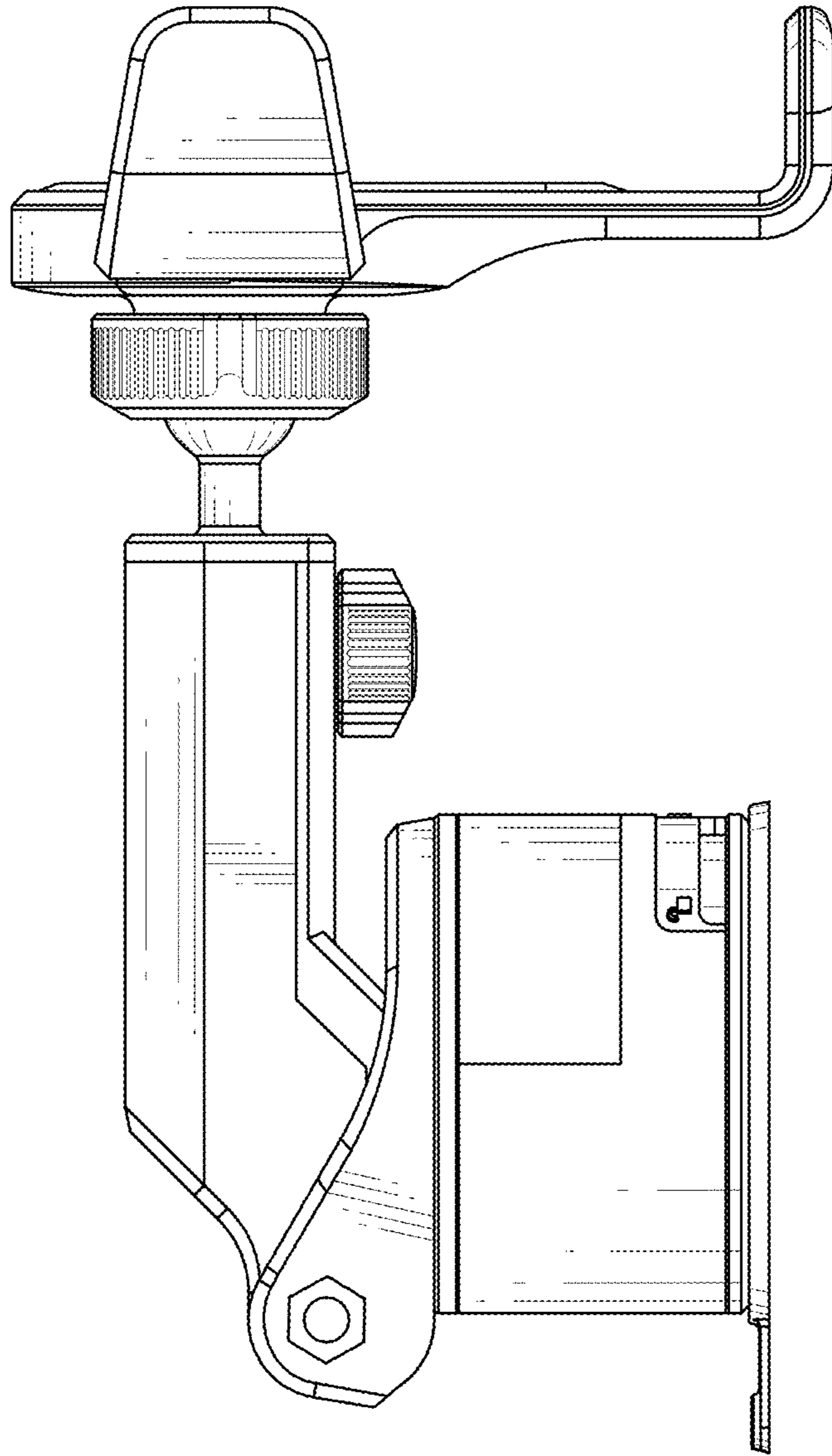


FIG. 5

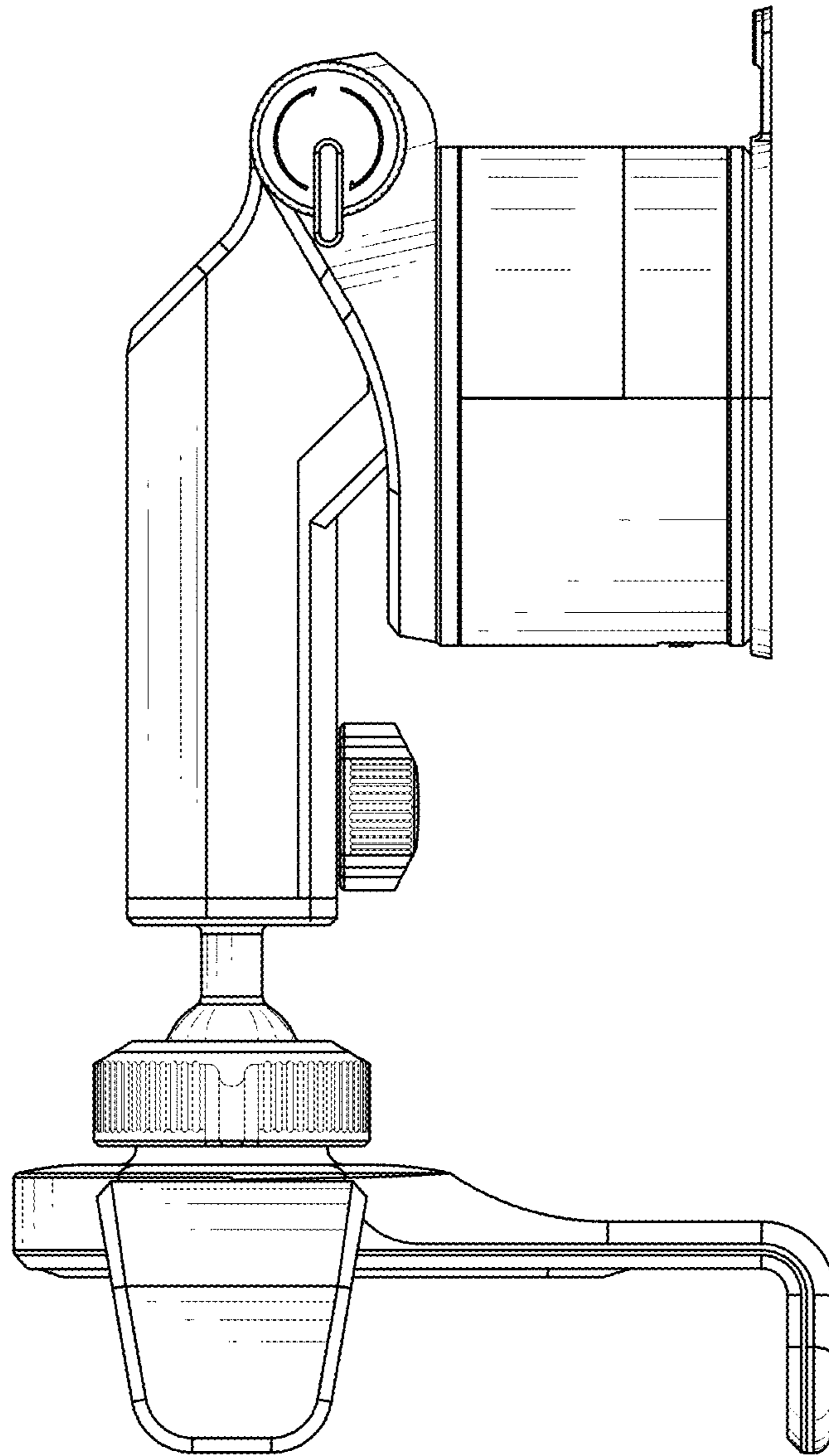


FIG. 6

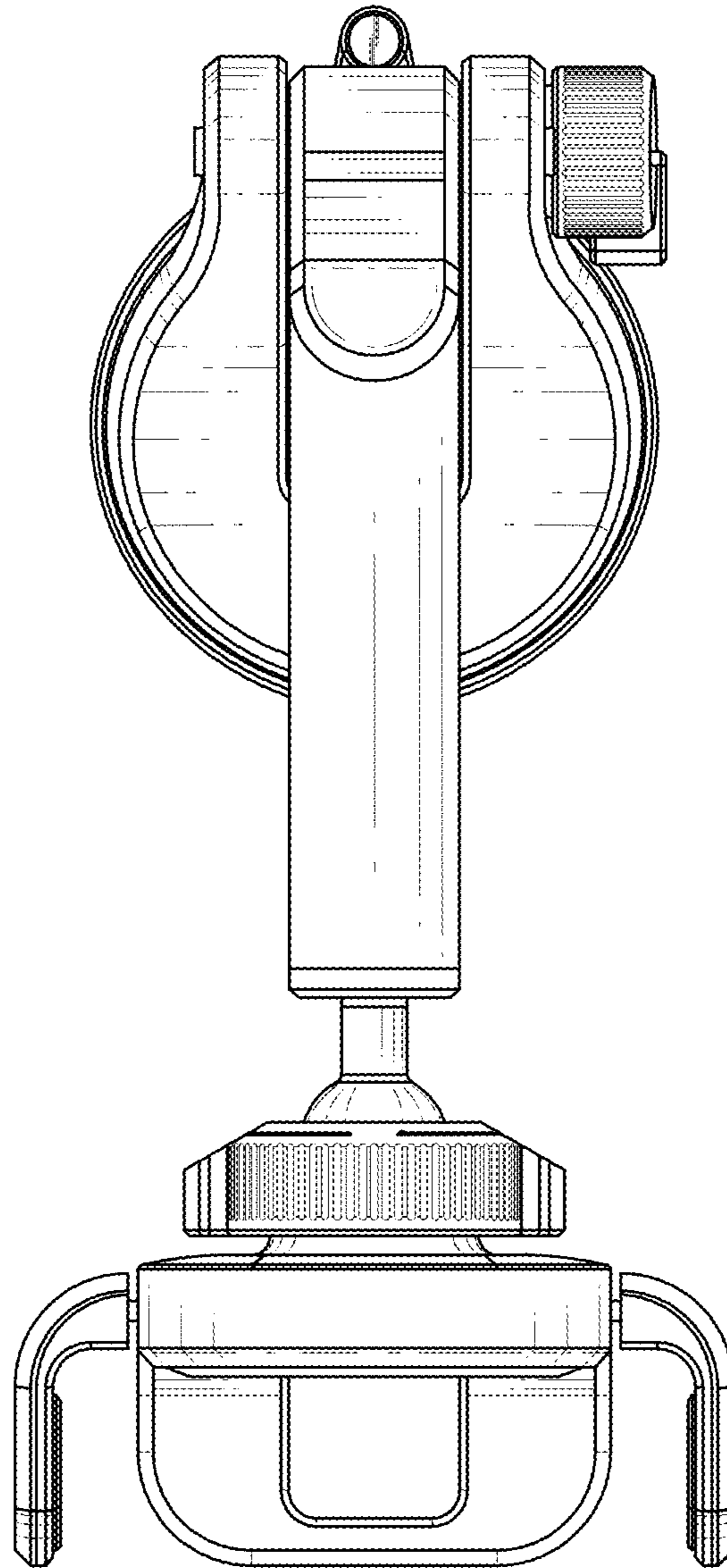


FIG. 7

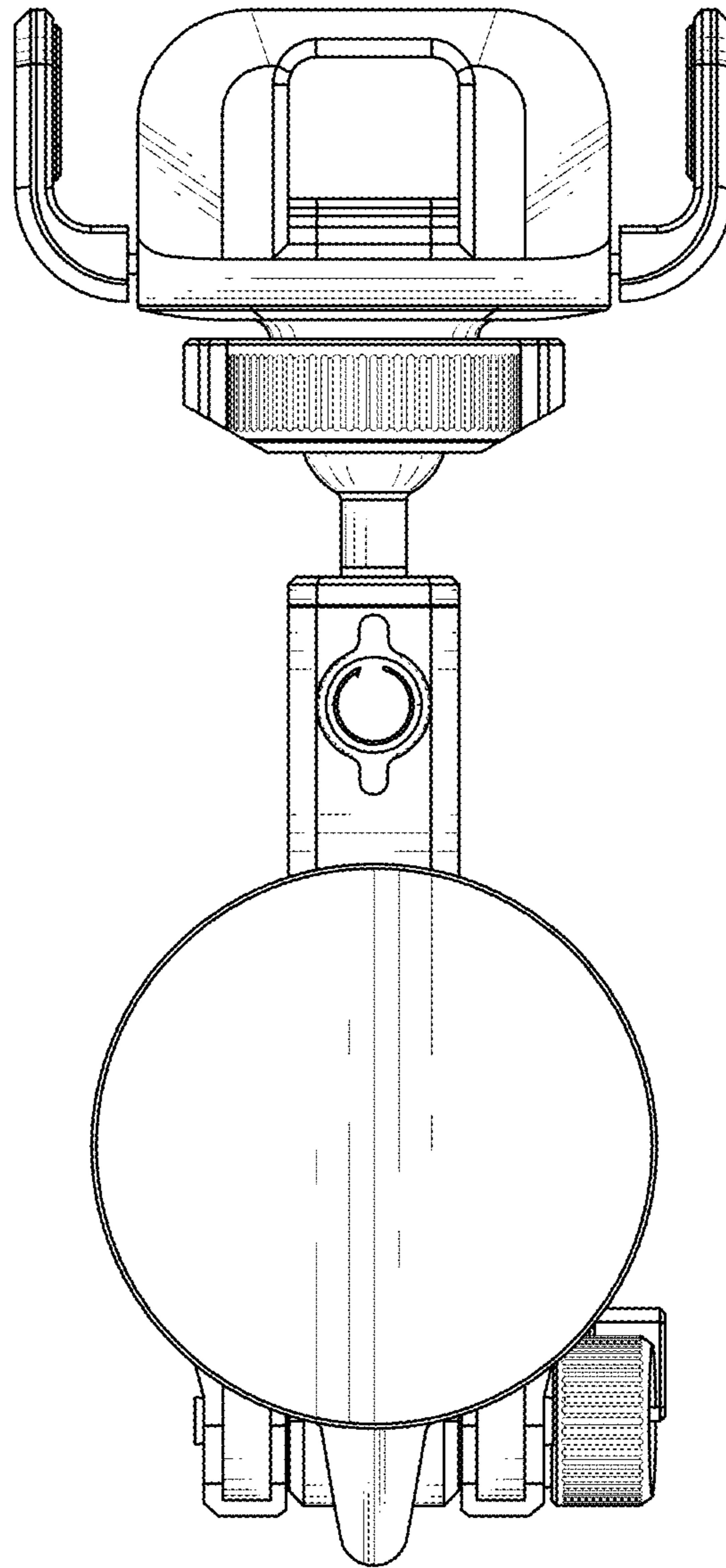


FIG. 8