



US00D879089S

(12) **United States Design Patent**
Richter

(10) **Patent No.:** **US D879,089 S**
(45) **Date of Patent:** **** Mar. 24, 2020**

(54) **HANDLE FOR SMARTPHONES**

(71) Applicant: **Harald Richter**, Englesbrand (DE)

(72) Inventor: **Harald Richter**, Englesbrand (DE)

(**) Term: **15 Years**

(21) Appl. No.: **29/634,517**

(22) Filed: **Jan. 23, 2018**

(51) **LOC (12) Cl.** **14-99**

(52) **U.S. Cl.**
USPC **D14/253**

(58) **Field of Classification Search**

USPC D14/251-254, 217, 224, 224.1, 238.1,
D14/299, 434, 447, 451-452, 483;
D12/400, 415-426, 426.1, 114, 223;
D6/513, 553, 567; D3/218; D16/242,
D16/245; D8/306, 307, 349, 352, 401
CPC H04M 1/04; H04B 1/3888; A45F 5/00
See application file for complete search history.

(56) **References Cited**

U.S. PATENT DOCUMENTS

D794,607	S *	8/2017	Srou	D14/217
9,787,348	B2 *	10/2017	Srou	H04B 1/3888
9,970,589	B2 *	5/2018	Hobbs	F16M 13/022
D825,549	S *	8/2018	Lebovitz	D14/253
D827,612	S *	9/2018	Srou	D14/217
10,200,518	B2 *	2/2019	Richter	A45F 5/00
D847,805	S *	5/2019	Lederer	D14/250
2018/0004250	A1 *	1/2018	Barnett	H01R 13/6315
2018/0146078	A1 *	5/2018	Shin	F16B 1/00
2018/0262603	A1 *	9/2018	Richter	A45F 5/00
2018/0288204	A1 *	10/2018	Nahum	H04M 1/04
2018/0348541	A1 *	12/2018	Radzwill	A45F 5/10
2019/0089822	A1 *	3/2019	Gartz	H04M 1/04

* cited by examiner

Primary Examiner — Jeffrey D Asch
Assistant Examiner — Rebekah A Caruso

(74) *Attorney, Agent, or Firm* — John H. Thomas, P.C.

(57) **CLAIM**

The ornamental design for a handle for smartphones, as shown and described.

DESCRIPTION

FIG. 1 is a right, front perspective view of a handle for smartphones in its locked closed position according to the design;

FIG. 2 is a left, front perspective view of the handle for smartphones of FIG. 1;

FIG. 3 is a right side view of the handle for smartphones of FIG. 1;

FIG. 4 is a top view of the handle for smartphones of FIG. 1;

FIG. 5 is a left view of the handle for smartphones of FIG. 1;

FIG. 6 is a bottom side view of the handle for smartphones of FIG. 1;

FIG. 7 is a front view of the handle for smartphones of FIG. 1;

FIG. 8 is a rear view of the handle for smartphones of FIG. 1;

FIG. 9 is a right, front perspective view of the handle for smartphones of FIG. 1 in its open position;

FIG. 10 is a right, front bottom perspective view of the handle for smartphones of FIG. 9;

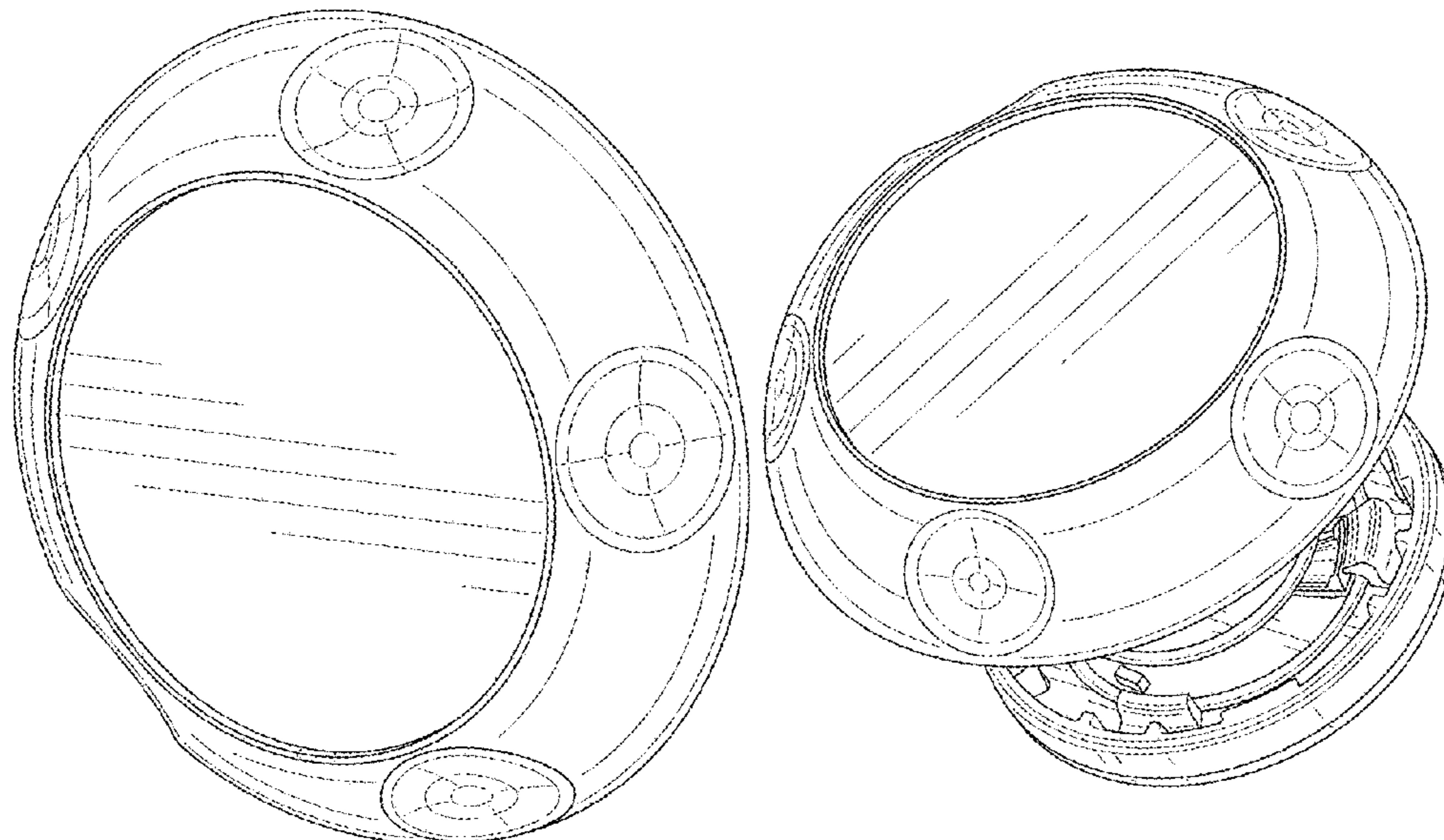
FIG. 11 is a right side view of the handle for smartphones of FIG. 9;

FIG. 12 is a top view of the handle for smartphones of FIG. 9;

FIG. 13 is a left side view of the handle for smartphones of FIG. 9; and,

FIG. 14 is a bottom view of the handle for smartphones of FIG. 9.

1 Claim, 14 Drawing Sheets



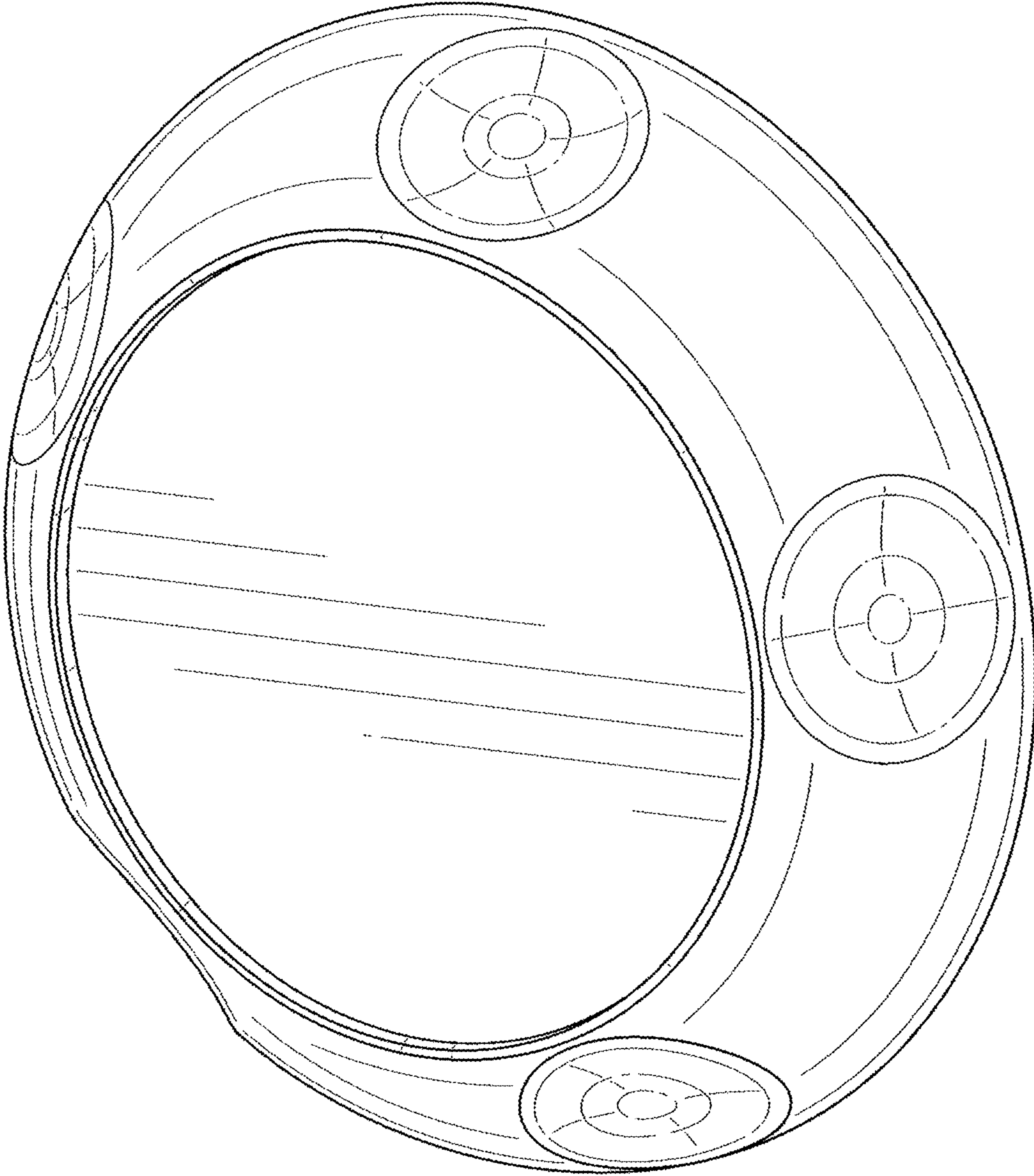


FIG. 1

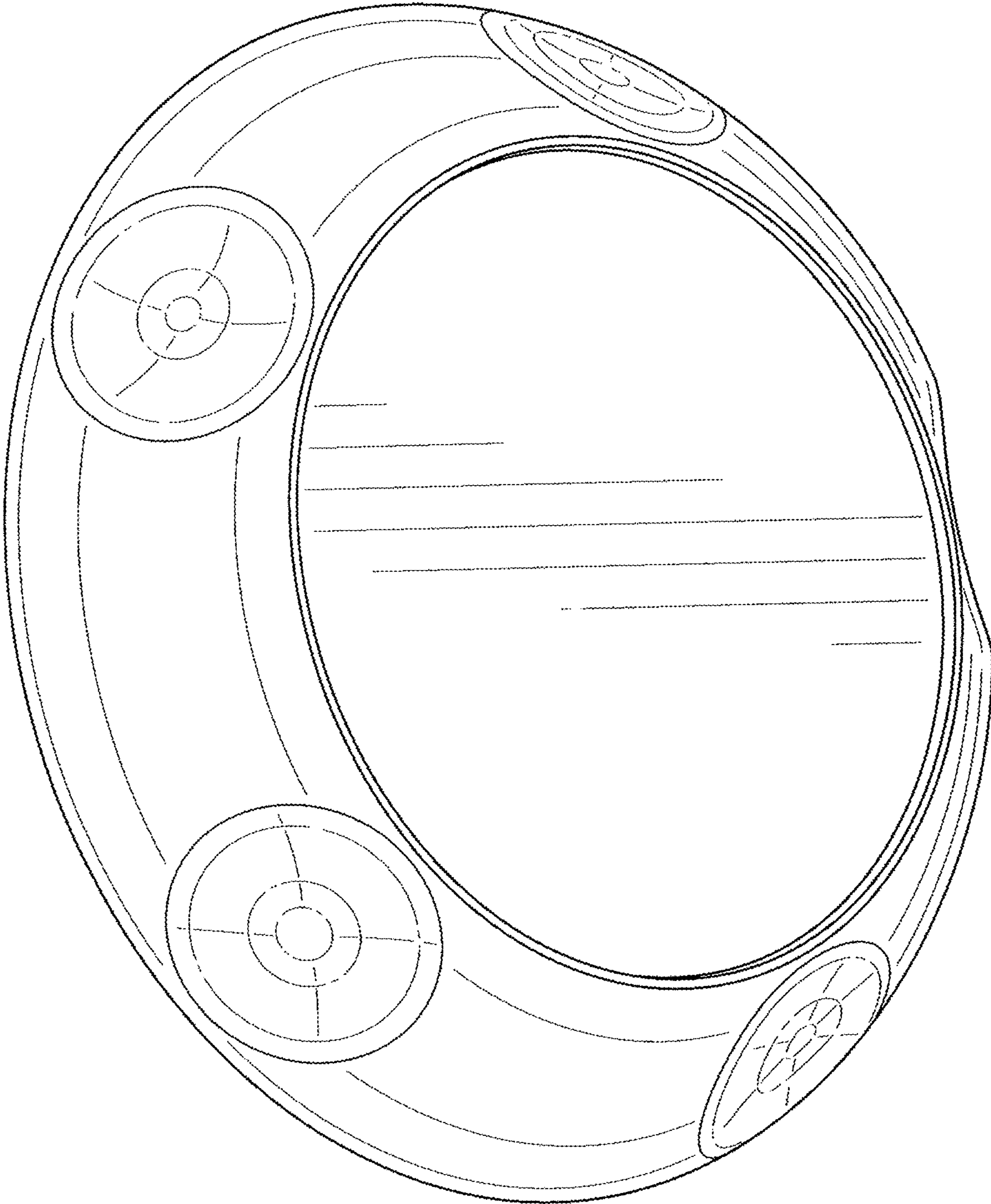


FIG. 2

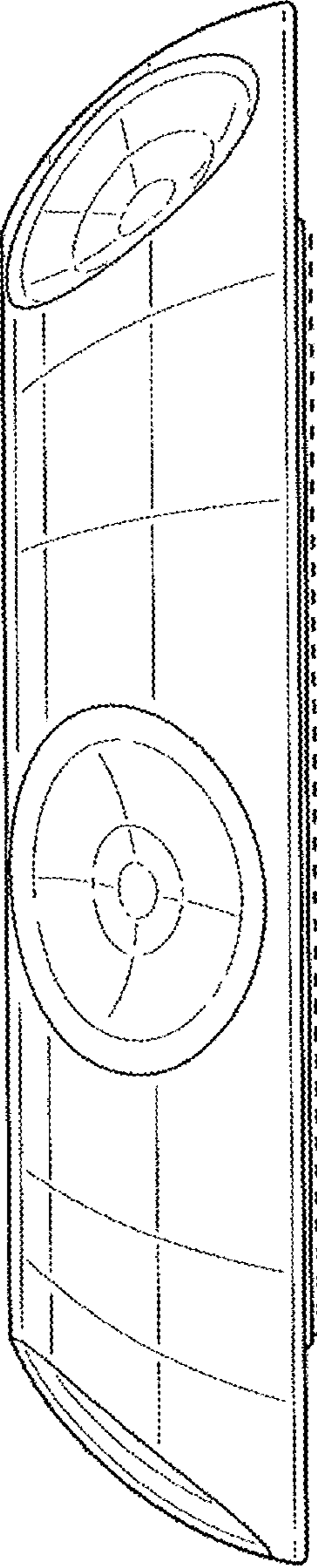


FIG. 3

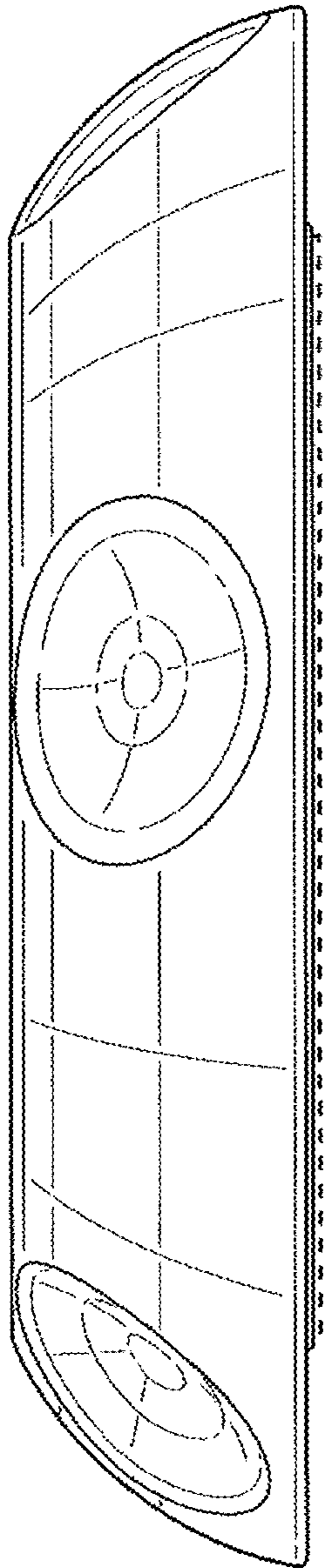


FIG. 4

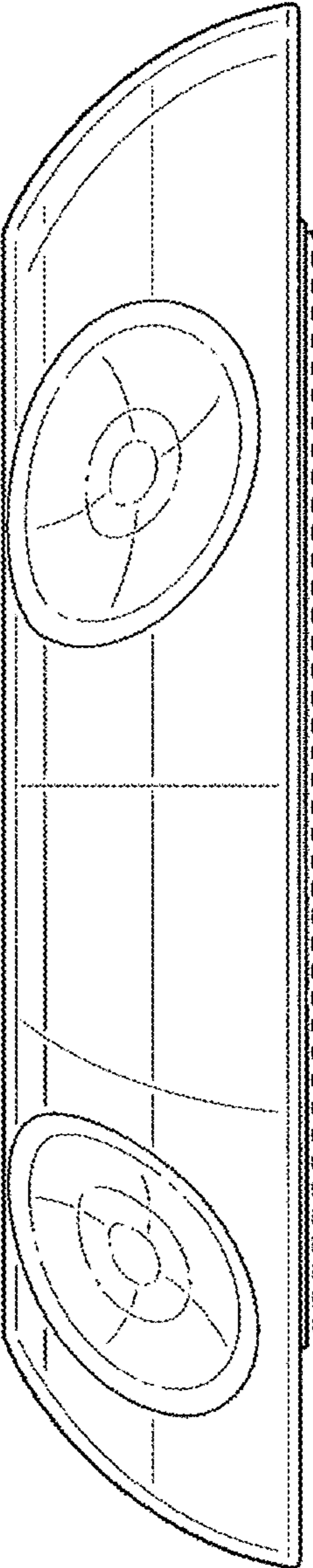


FIG. 5

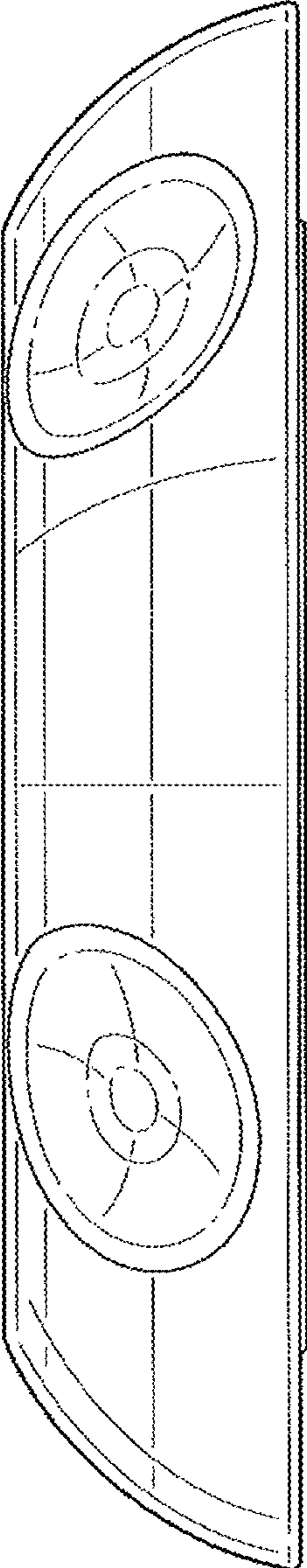


FIG. 6



FIG. 7

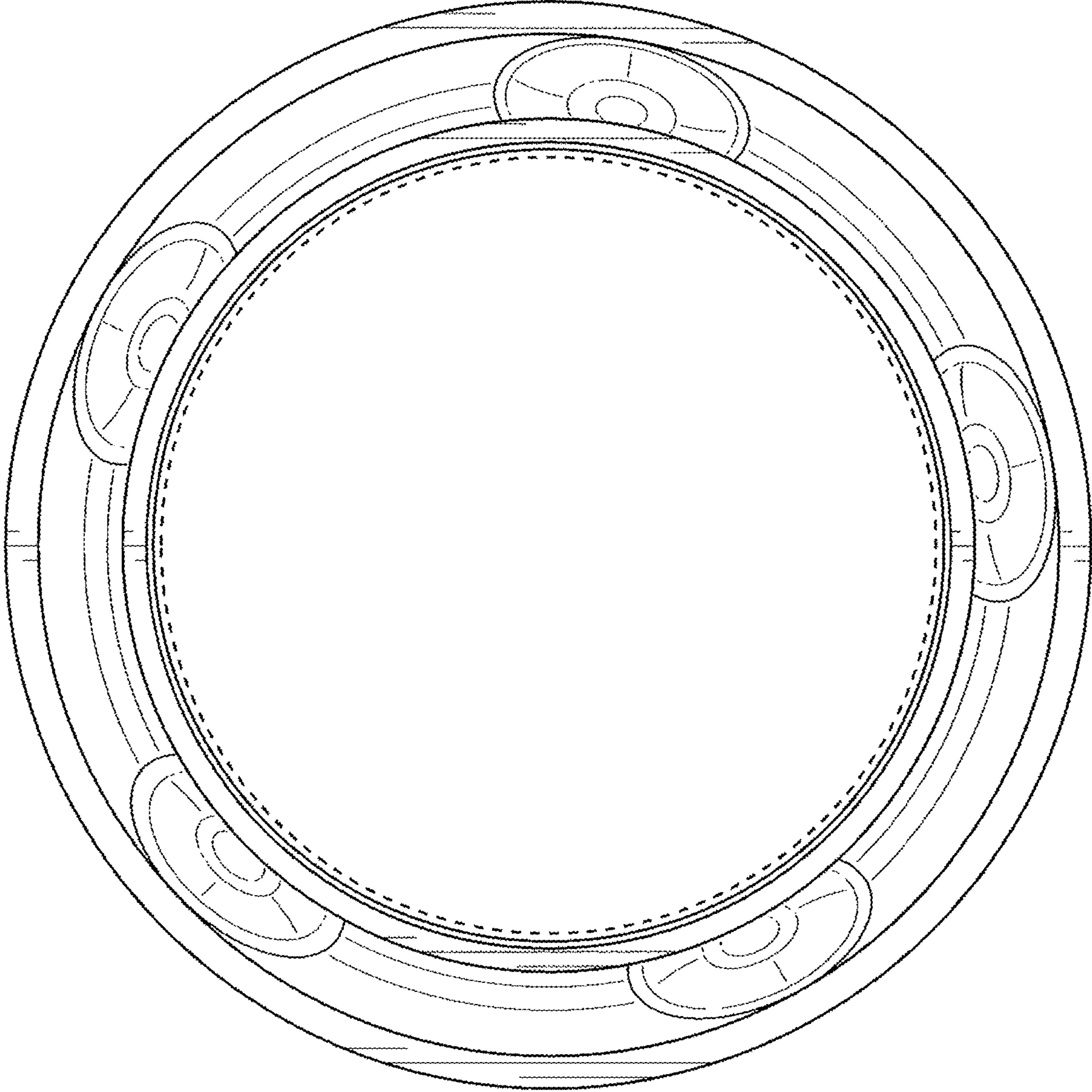


FIG. 8

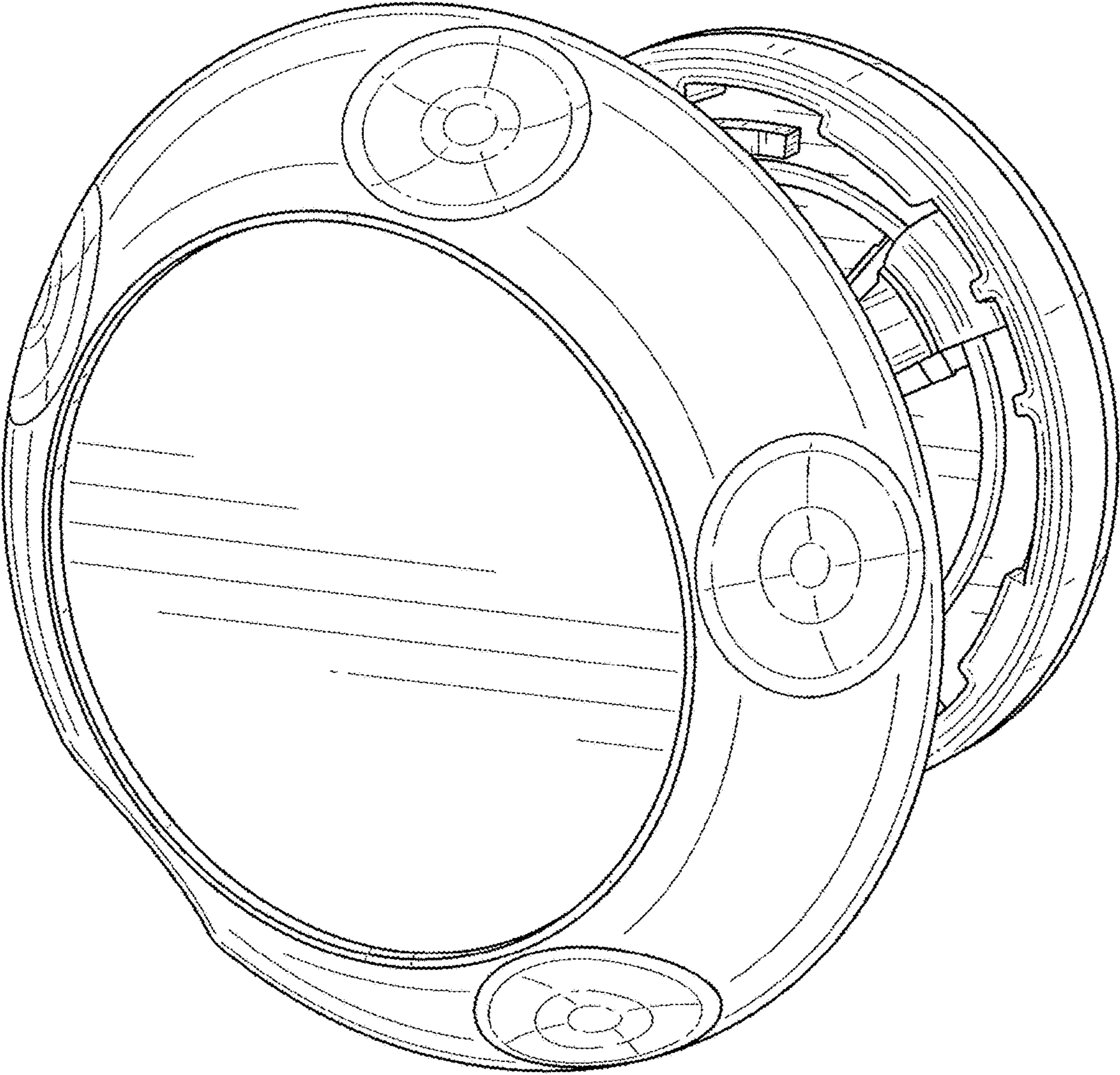


FIG. 9

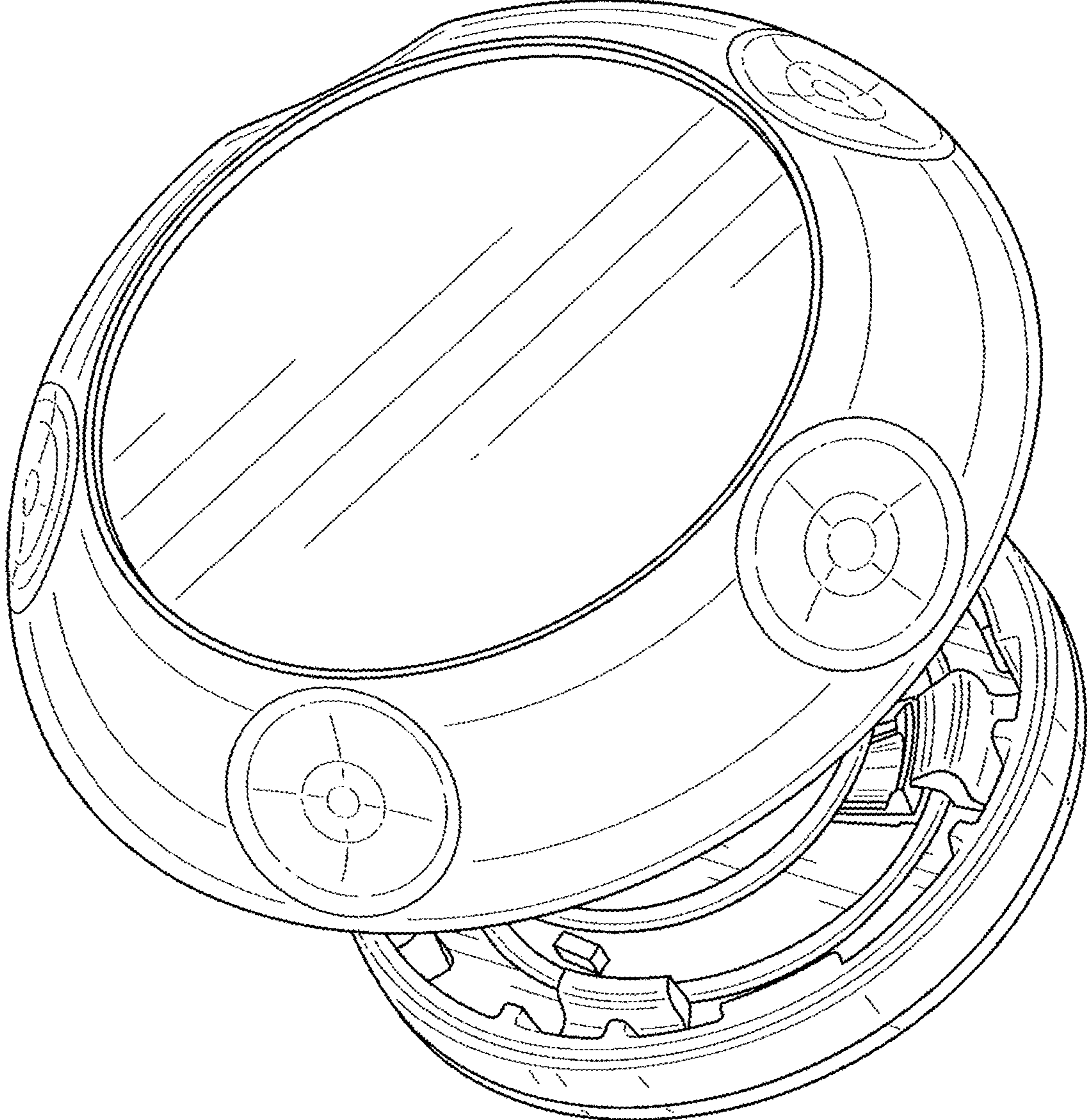


FIG. 10

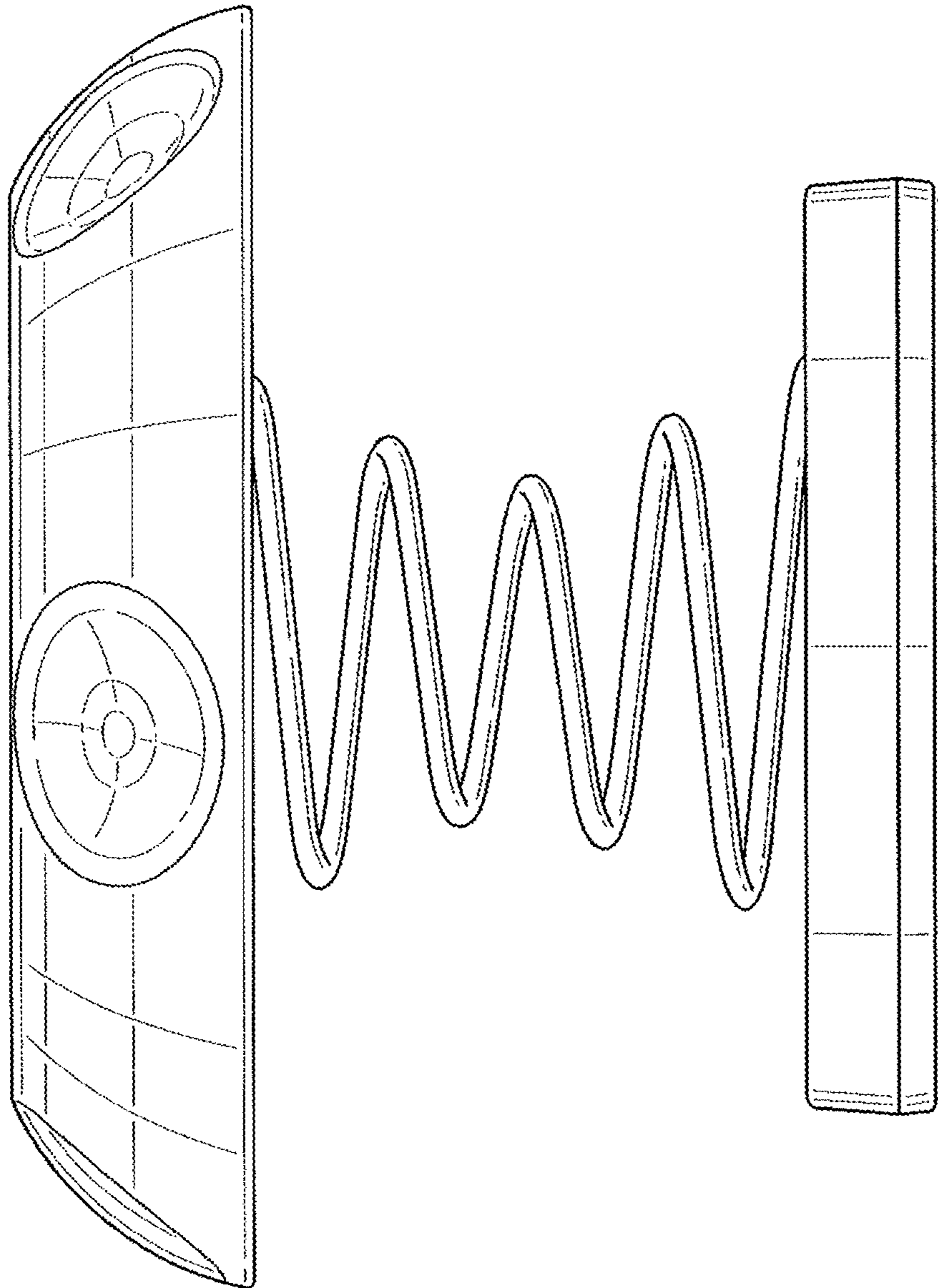


FIG. 11

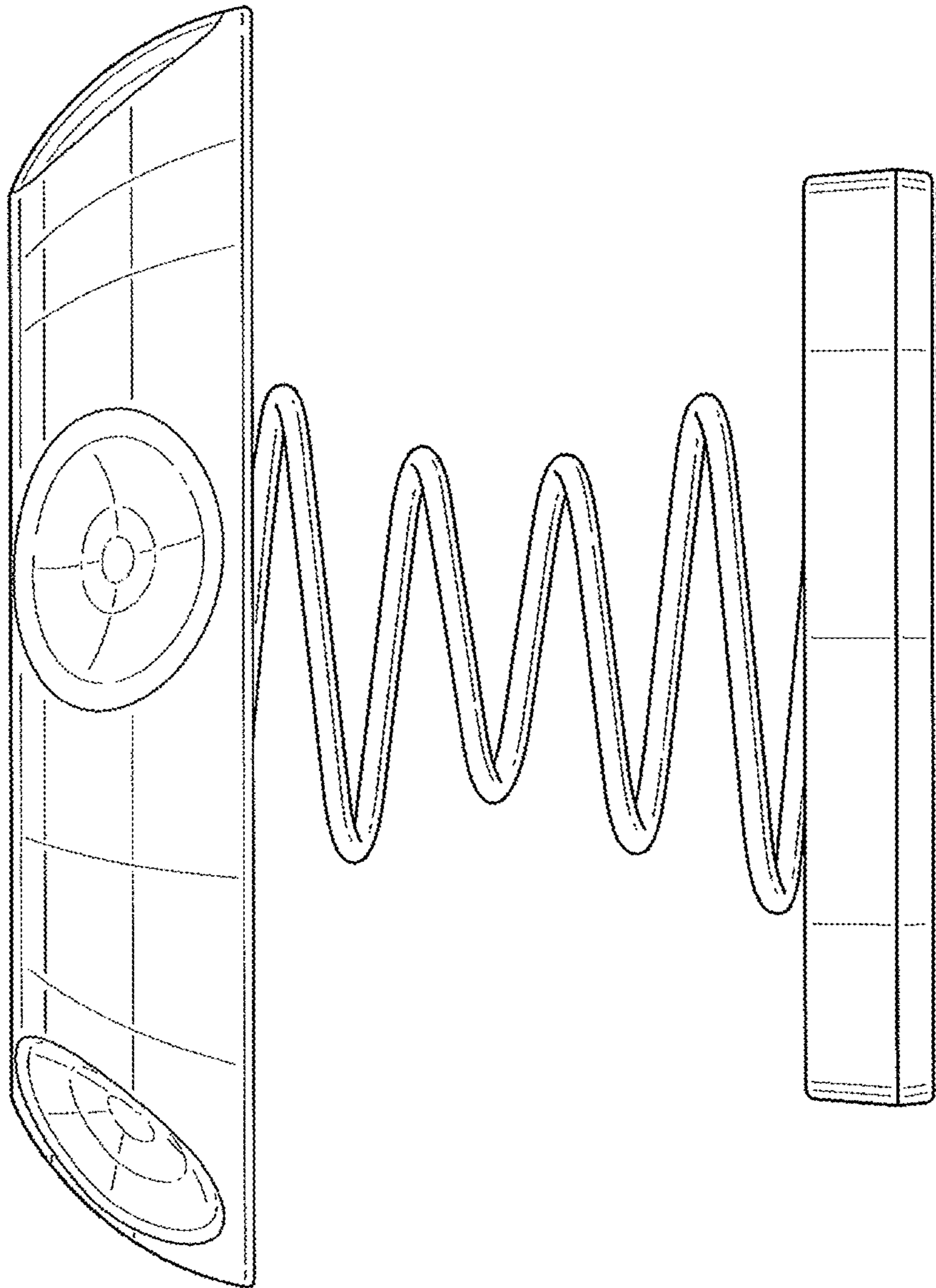


FIG. 12

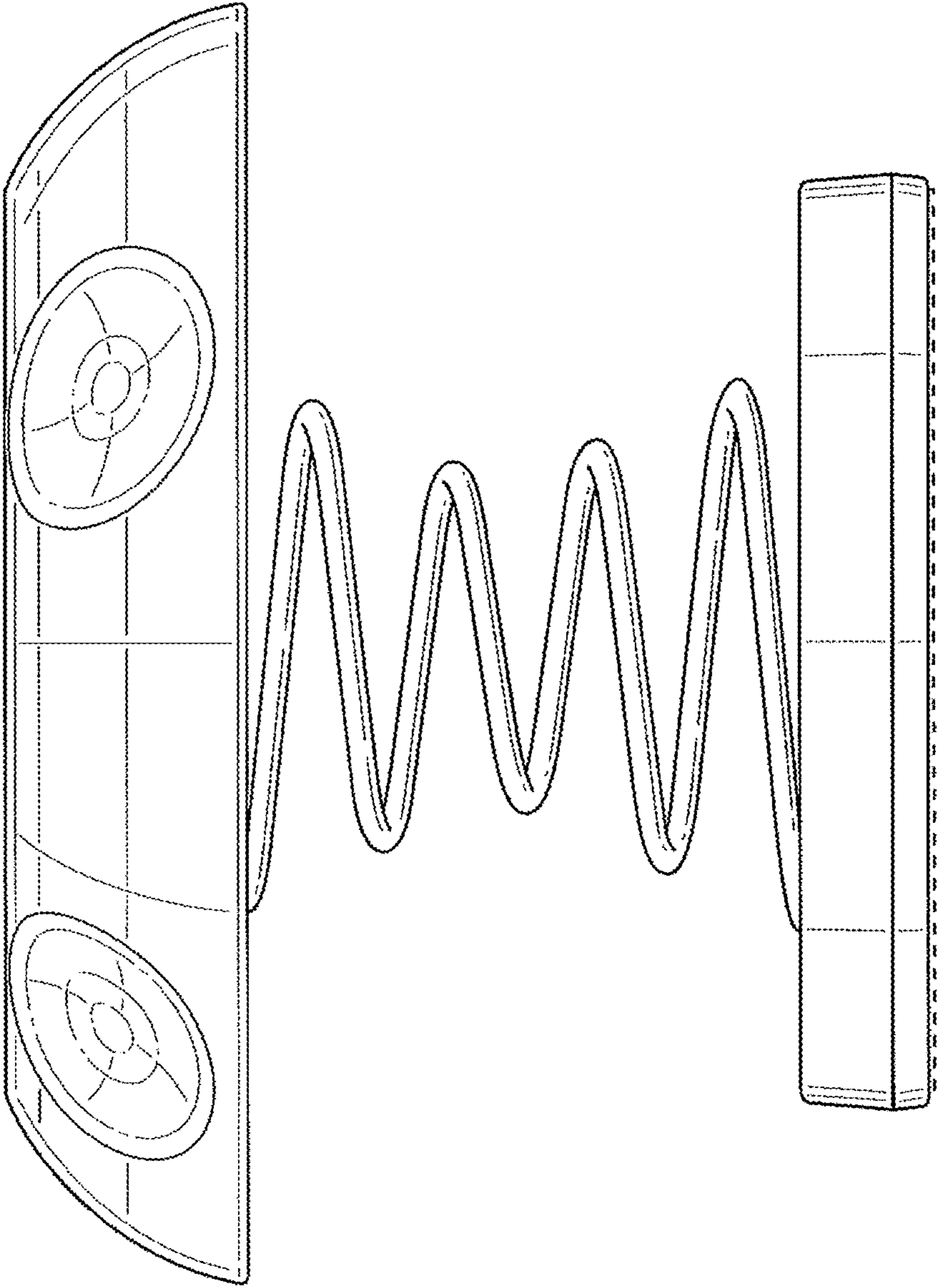


FIG. 13

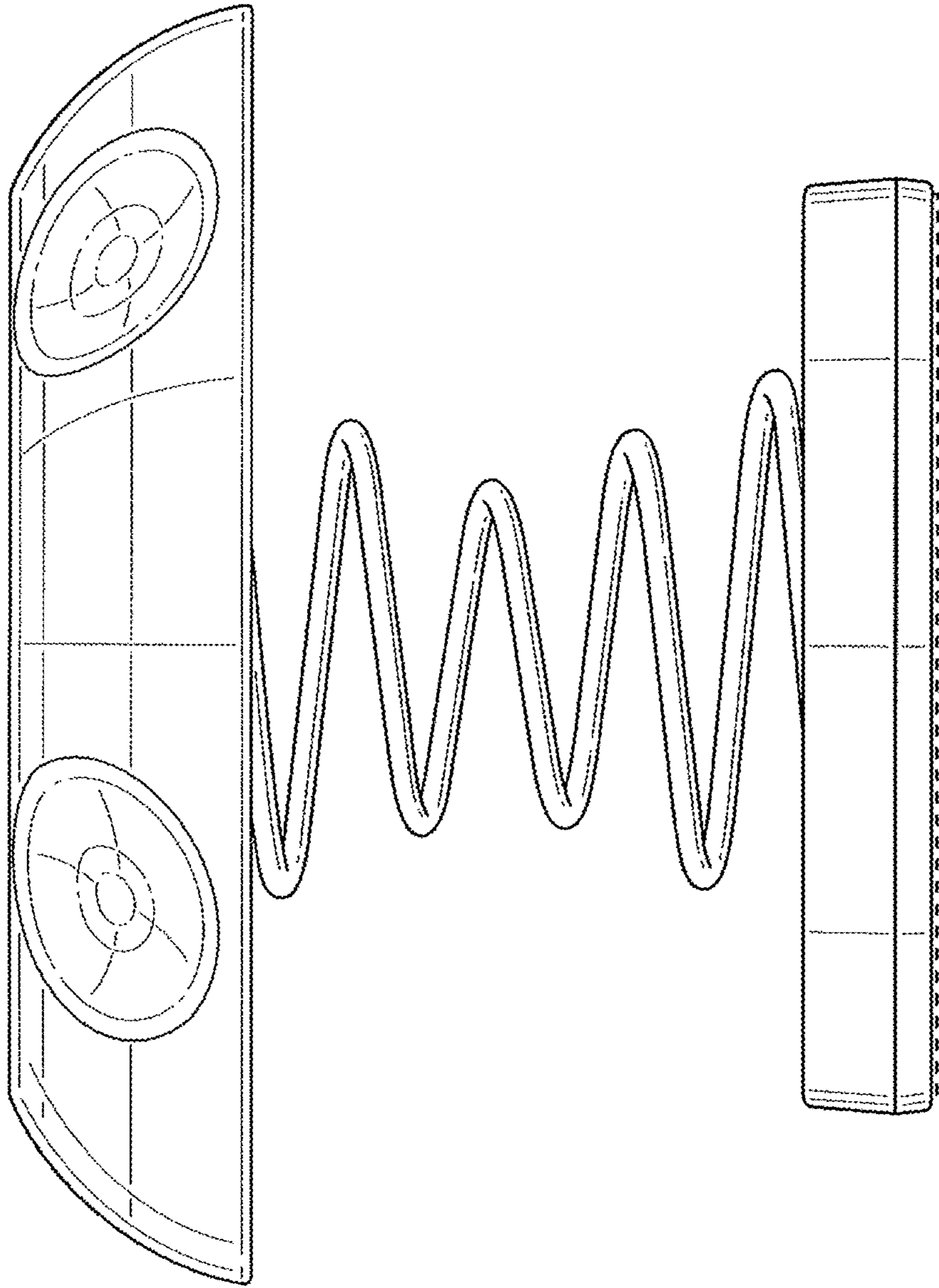


FIG. 14