



US00D879088S

(12) **United States Design Patent** (10) **Patent No.:** **US D879,088 S**
Bongard et al. (45) **Date of Patent:** **** Mar. 24, 2020**

(54) **MOUNT FOR A PORTABLE DEVICE**
(71) Applicant: **ARB Corporation Limited**, Kilsyth (AU)
(72) Inventors: **Daniel Bongard**, Kilsyth (AU); **Andrew Brown**, Kilsyth (AU)
(73) Assignee: **ARB Corporation Limited**, Kilsyth (AU)
(**) Term: **15 Years**
(21) Appl. No.: **29/627,615**
(22) Filed: **Nov. 28, 2017**
(30) **Foreign Application Priority Data**

Aug. 7, 2017 (AU) 201714647
(51) **LOC (12) Cl.** **14-99**
(52) **U.S. Cl.**
USPC **D14/253**; D14/248
(58) **Field of Classification Search**
USPC D14/250-254, 224, 224.1, 238.1, 434, D14/447, 451, 452, 483; D12/400, D12/415-418, 420, 426.1, 114, 223; D16/242, 245; D10/74; D3/218; D13/107, 108, 146; D8/301, 306, 307, D8/401
CPC B60R 11/00; B60R 11/02; B60R 11/0241; B60R 11/0252; B60R 2011/0003; B60R 2011/0005; B60R 2011/0008; H04M 1/04; H04B 1/3877; A45F 2200/0516; A45F 2200/0525; H05K 5/0204; F16M 13/02; F16M 13/022; F16M 11/04; F16M 11/041; F16M 11/14; F16M 11/22; F16B 2/12; H01F 7/0252; G03B 17/561

See application file for complete search history.

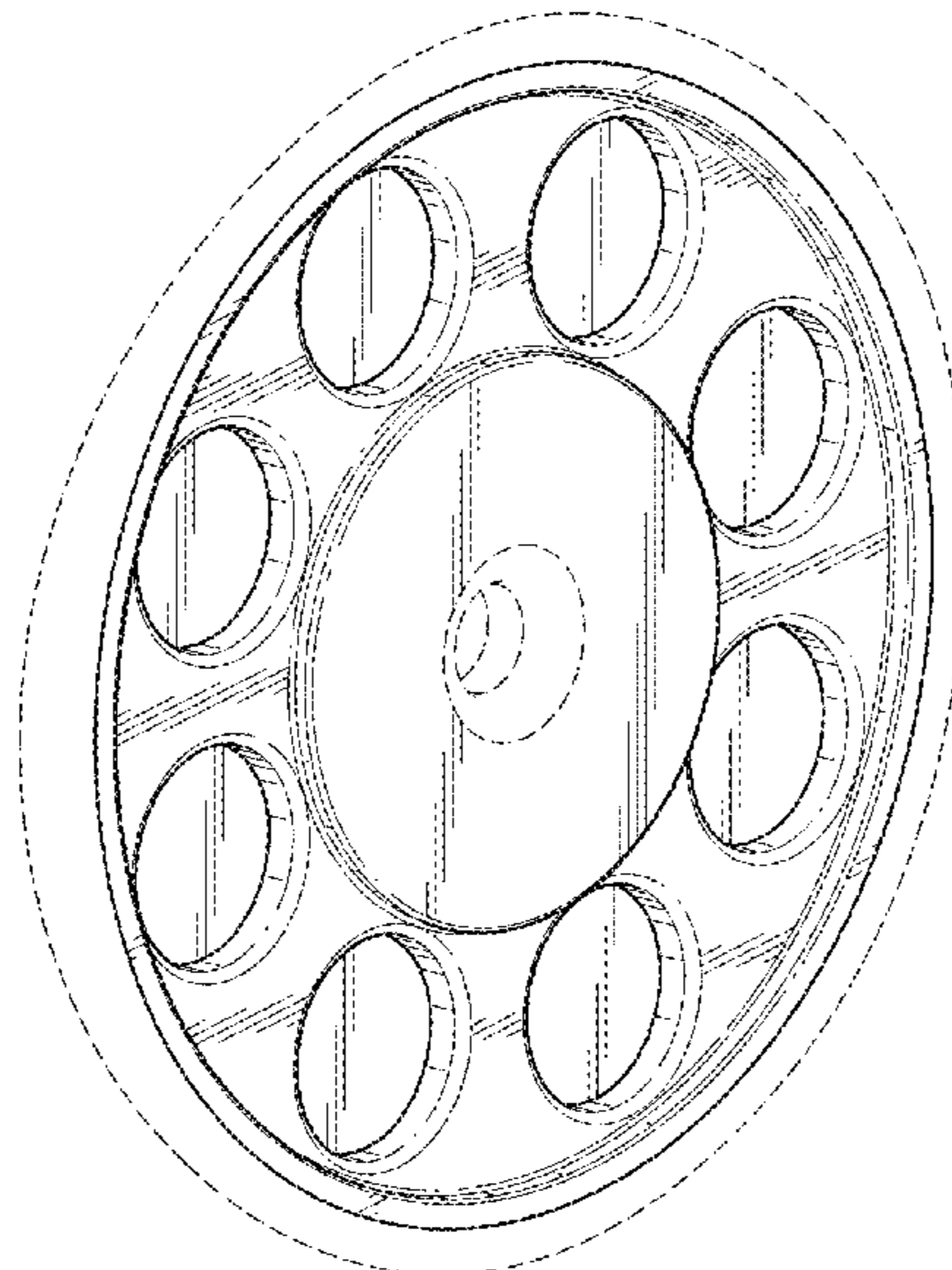
(56) **References Cited**
U.S. PATENT DOCUMENTS
D209,601 S * 12/1967 Swimmer D21/405
D225,740 S * 1/1973 Thompson D13/146
D242,362 S * 11/1976 Crimmins D14/153
4,336,425 A * 6/1982 Renkus H04R 7/127
29/594
5,166,984 A * 11/1992 Hsiao H04R 1/22
381/397
D342,937 S * 1/1994 Angel, Jr. D13/120
5,508,703 A * 4/1996 Okamura H01H 13/702
200/14
D370,890 S * 6/1996 Tiberio, Jr. D13/146
6,213,440 B1 * 4/2001 Kornback B60R 13/005
248/206.5
6,394,927 B1 * 5/2002 Bongard F16H 48/08
475/231
D487,455 S * 3/2004 Asahina D14/216
(Continued)

Primary Examiner — Jeffrey D Asch
Assistant Examiner — Rebekah A Caruso
(74) *Attorney, Agent, or Firm* — Davis Wright Tremaine LLP; Heather M. Colburn

(57) **CLAIM**
The ornamental design for a mount for a portable device, as shown and described.

DESCRIPTION
FIG. 1 is a front perspective view of a mount for a portable device showing our new design;
FIG. 2 is a front view thereof;
FIG. 3 is a rear view thereof;
FIG. 4 is a bottom plan view thereof;
FIG. 5 is a top plan view thereof;
FIG. 6 is a left side view thereof; and,
FIG. 7 is a right side view thereof.
Features shown in broken lines in FIGS. 1-7 are for illustrative purposes only and do not form part of the claimed design.

1 Claim, 4 Drawing Sheets



(56)

References Cited

U.S. PATENT DOCUMENTS

6,979,246 B2 * 12/2005 Chu A63H 29/22
446/448
D731,974 S * 6/2015 Hori D13/146
9,397,719 B1 * 7/2016 Schmidt F16M 11/24
9,407,048 B2 * 8/2016 George H01R 13/72
D788,754 S * 6/2017 Kim D14/248
D797,714 S * 9/2017 Kim D14/248
10,292,514 B1 * 5/2019 Kuhn A47G 23/0225
10,304,429 B1 * 5/2019 Broadbelt G10D 13/026
D855,050 S * 7/2019 Bongard D14/253
10,342,323 B2 * 7/2019 Forutanpour A45F 5/10
D857,679 S * 8/2019 Bongard D14/248
2005/0037814 A1 * 2/2005 Yasui G06F 1/1616
455/566
2014/0263908 A1 * 9/2014 Franklin F16M 13/02
248/309.4
2014/0355200 A1 * 12/2014 Thiers H04W 88/02
361/679.41
2015/0185771 A1 * 7/2015 Clark H02K 7/1861
320/137
2016/0065702 A1 * 3/2016 Carnevali G06F 1/1628
455/575.8
2016/0150861 A1 * 6/2016 Yao A45C 11/00
224/245
2016/0229352 A1 * 8/2016 Zhang B60R 11/02
2016/0235189 A1 * 8/2016 Castro A45F 5/02
2016/0318455 A1 * 11/2016 Zhang F16M 11/105
2016/0373152 A1 * 12/2016 Schmidt H04B 1/3877
2017/0067595 A1 * 3/2017 Yun B60R 11/0241
2017/0122423 A1 * 5/2017 Bongard F16D 13/52
2017/0359095 A1 * 12/2017 Fleckenstein H04B 1/3888
2018/0284841 A1 * 10/2018 Lee G06F 1/1628

* cited by examiner

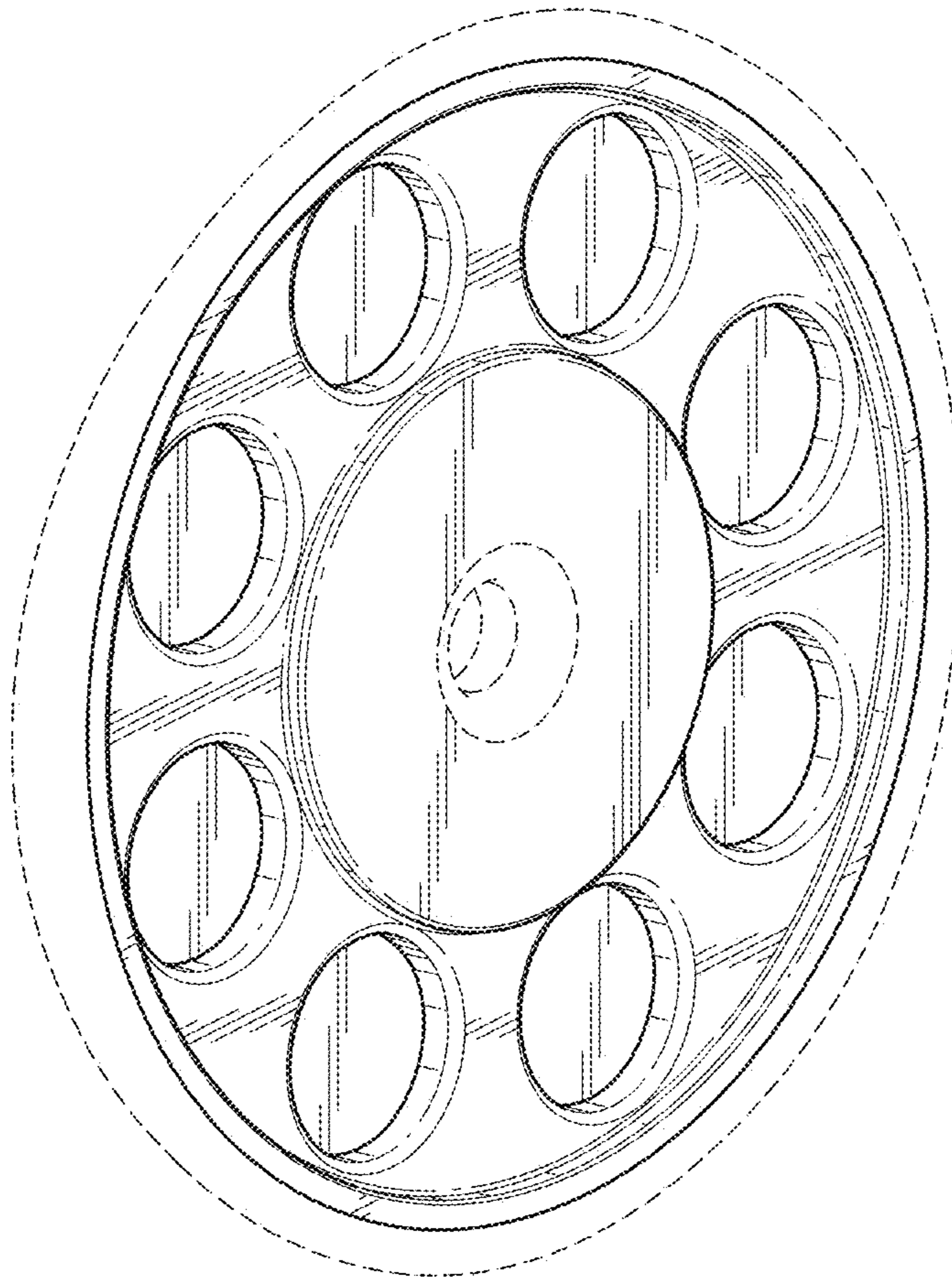


FIG. 1

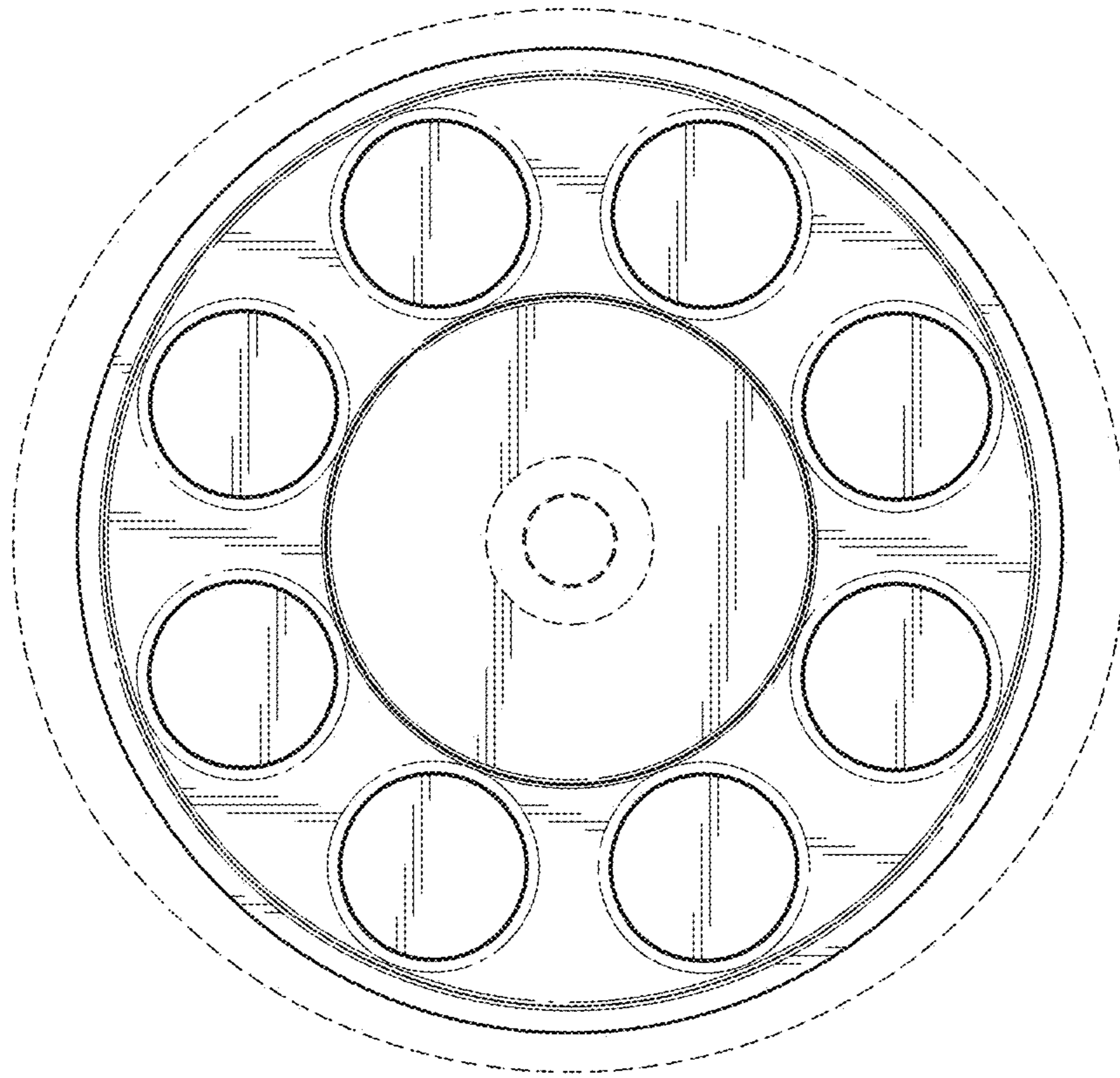


FIG. 2

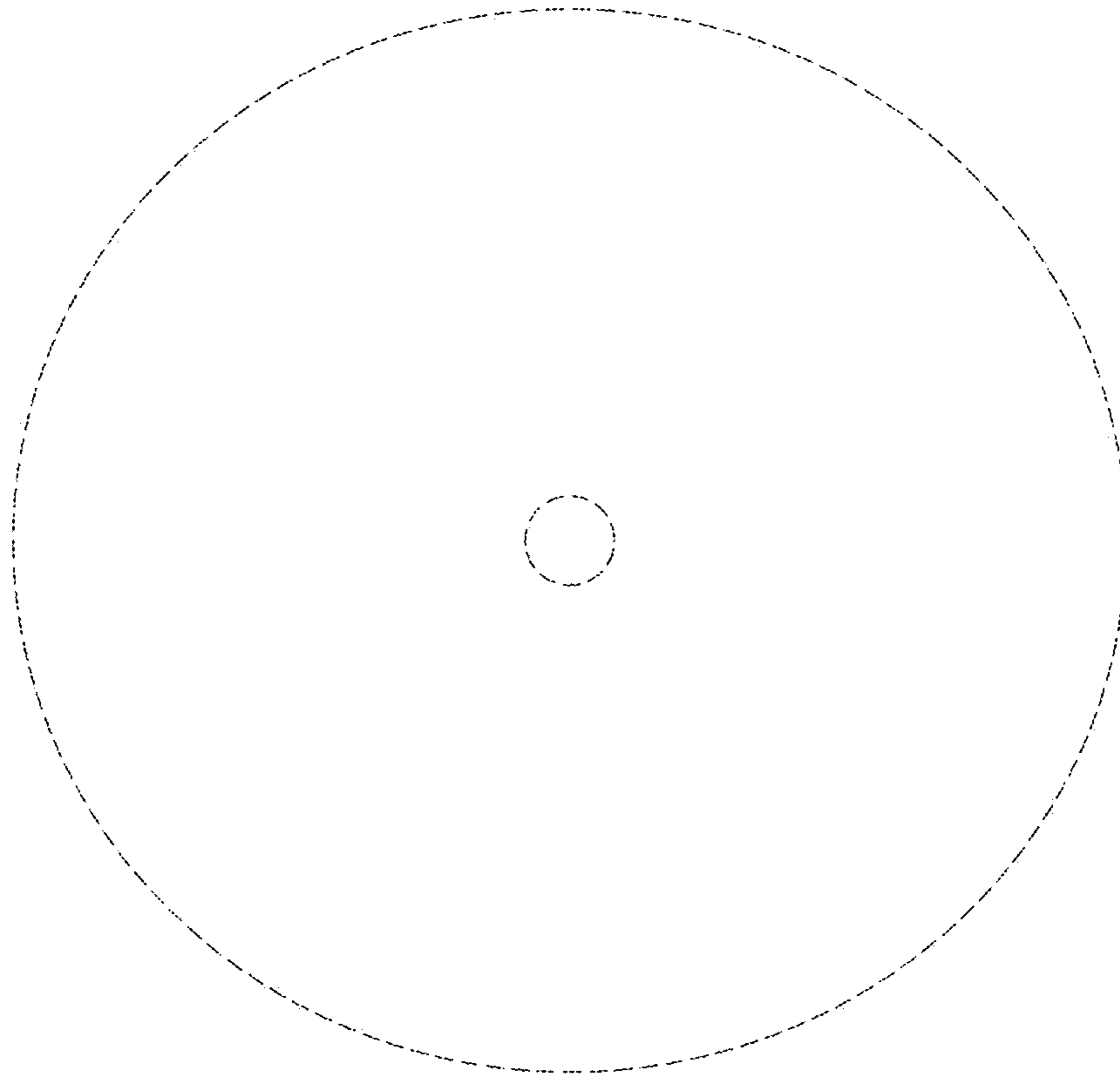


FIG. 3

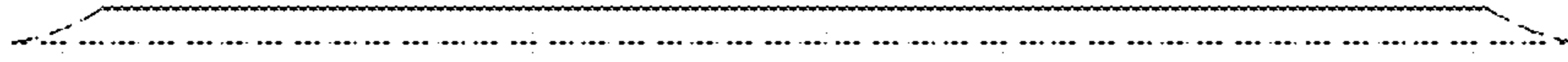


FIG. 4

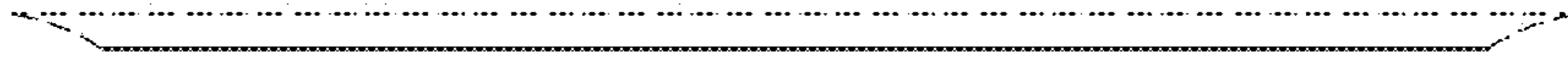


FIG. 5



FIG. 6



FIG. 7