



US00D879087S

(12) **United States Design Patent**
Webb et al.

(10) **Patent No.:** **US D879,087 S**

(45) **Date of Patent:** **** Mar. 24, 2020**

(54) **MOBILE DEVICE MOUNT**

(71) Applicant: **Pilot, Inc.**, City of Industry, CA (US)

(72) Inventors: **Scott Webb**, Los Angeles, CA (US);
Vincent Reapor, City of Industry, CA (US); **William Law**, City of Industry, CA (US)

(**) Term: **15 Years**

(21) Appl. No.: **29/610,892**

(22) Filed: **Jul. 17, 2017**

(51) **LOC (12) Cl.** **14-03**

(52) **U.S. Cl.**
USPC **D14/253**

(58) **Field of Classification Search**
USPC D14/251–253, 358, 432, 434, 440, 447;
D3/218; D16/242, 243; D12/415;
D13/107, 108
CPC A45C 11/00; A45F 5/00; F16M 11/06
See application file for complete search history.

(56) **References Cited**

U.S. PATENT DOCUMENTS

D634,268 S *	3/2011	Reishus	D13/108
D656,895 S *	4/2012	Fitch	D13/108
D659,696 S *	5/2012	Lanza	D14/447
D662,939 S *	7/2012	Akana	D14/447
D692,898 S *	11/2013	Luijben	D14/447
D719,146 S *	12/2014	Herbst	D14/253

D769,859 S *	10/2016	Herbst	D14/253
D773,325 S *	12/2016	Browning	D10/74
D784,978 S *	4/2017	Hobbs	D14/253
D799,468 S *	10/2017	Chen	D14/253
D807,339 S *	1/2018	Lan	D14/253
D819,036 S *	5/2018	Ahlgrim	D14/434
D825,549 S *	8/2018	Lebovitz	D14/253
D832,859 S *	11/2018	Charlesworth	D14/451
D848,412 S *	5/2019	Greve	D14/253

* cited by examiner

Primary Examiner — Janice Hallmark

(74) *Attorney, Agent, or Firm* — Sheridan Ross P.C.

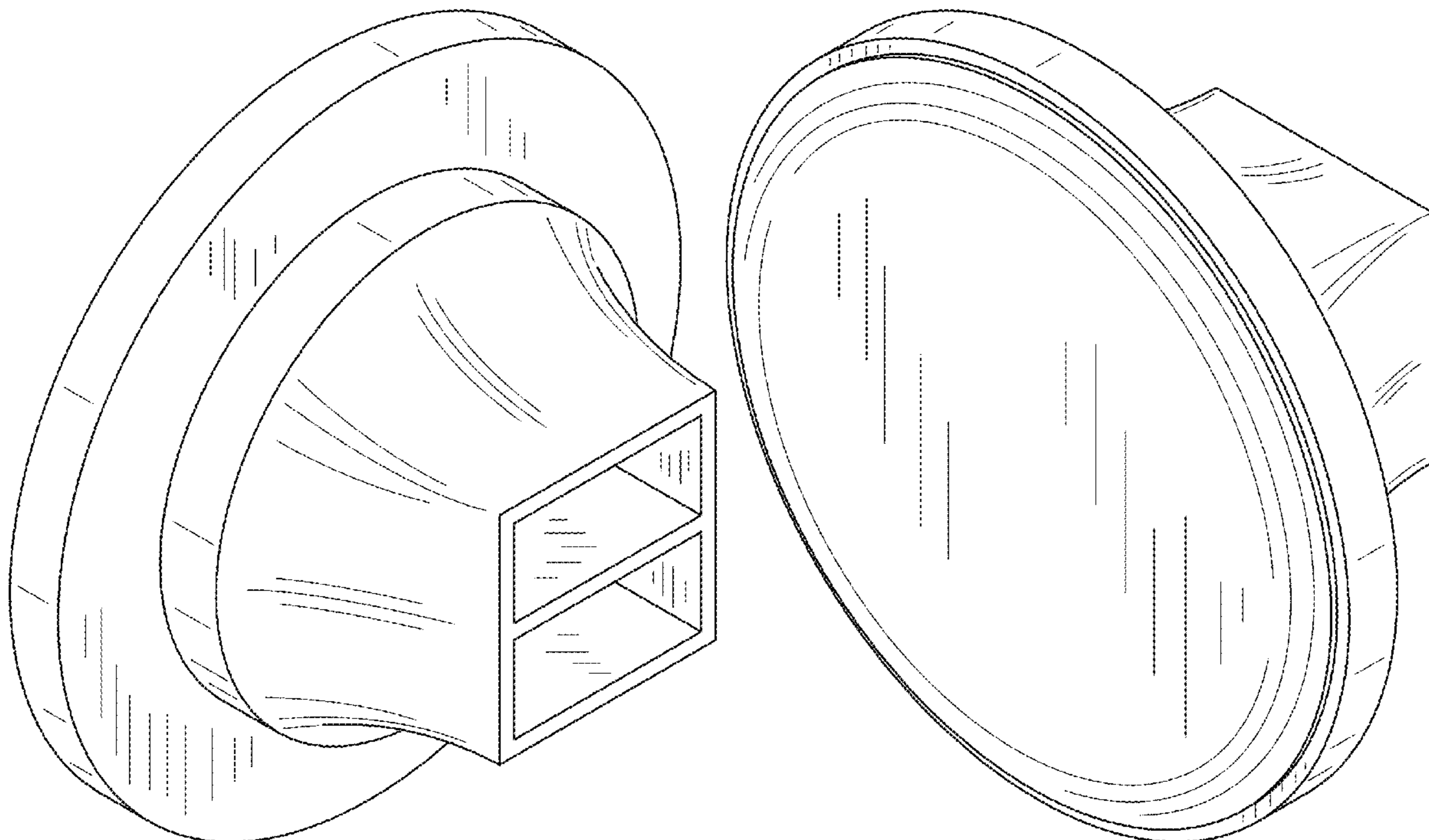
(57) **CLAIM**

The ornamental design for a mobile device mount, as shown and described.

DESCRIPTION

FIG. 1 is a perspective view of a mobile device mount showing our new design;
FIG. 2 is another perspective view thereof;
FIG. 3 is a rear elevational view thereof;
FIG. 4 is a front elevational view thereof;
FIG. 5 is a left side elevational view thereof;
FIG. 6 is a right side elevational view thereof;
FIG. 7 is a top plan view thereof; and,
FIG. 8 is a bottom plan view thereof.
The broken lines show portions of the mobile device mount which form no part of the claimed design.

1 Claim, 8 Drawing Sheets



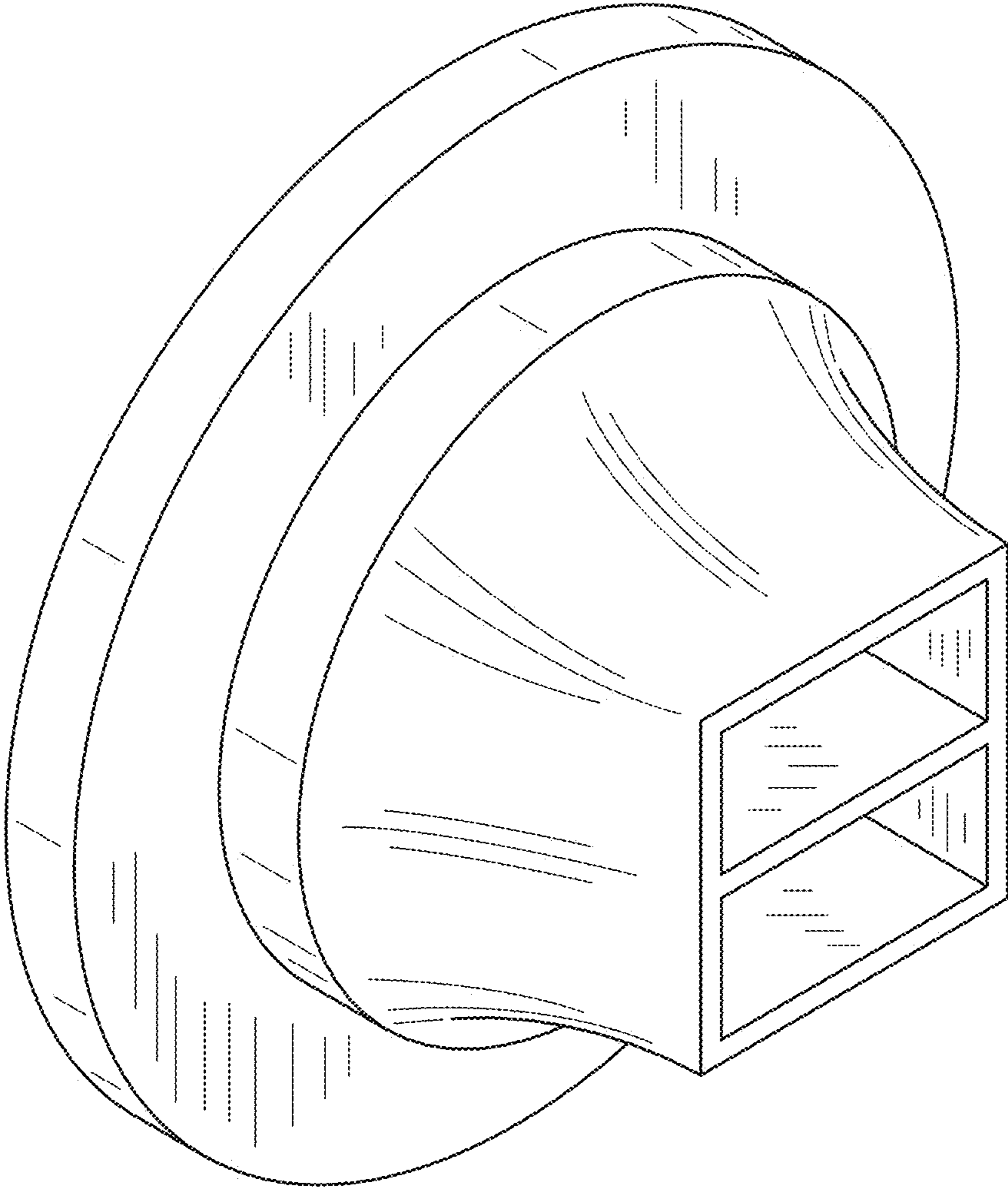


FIG.1

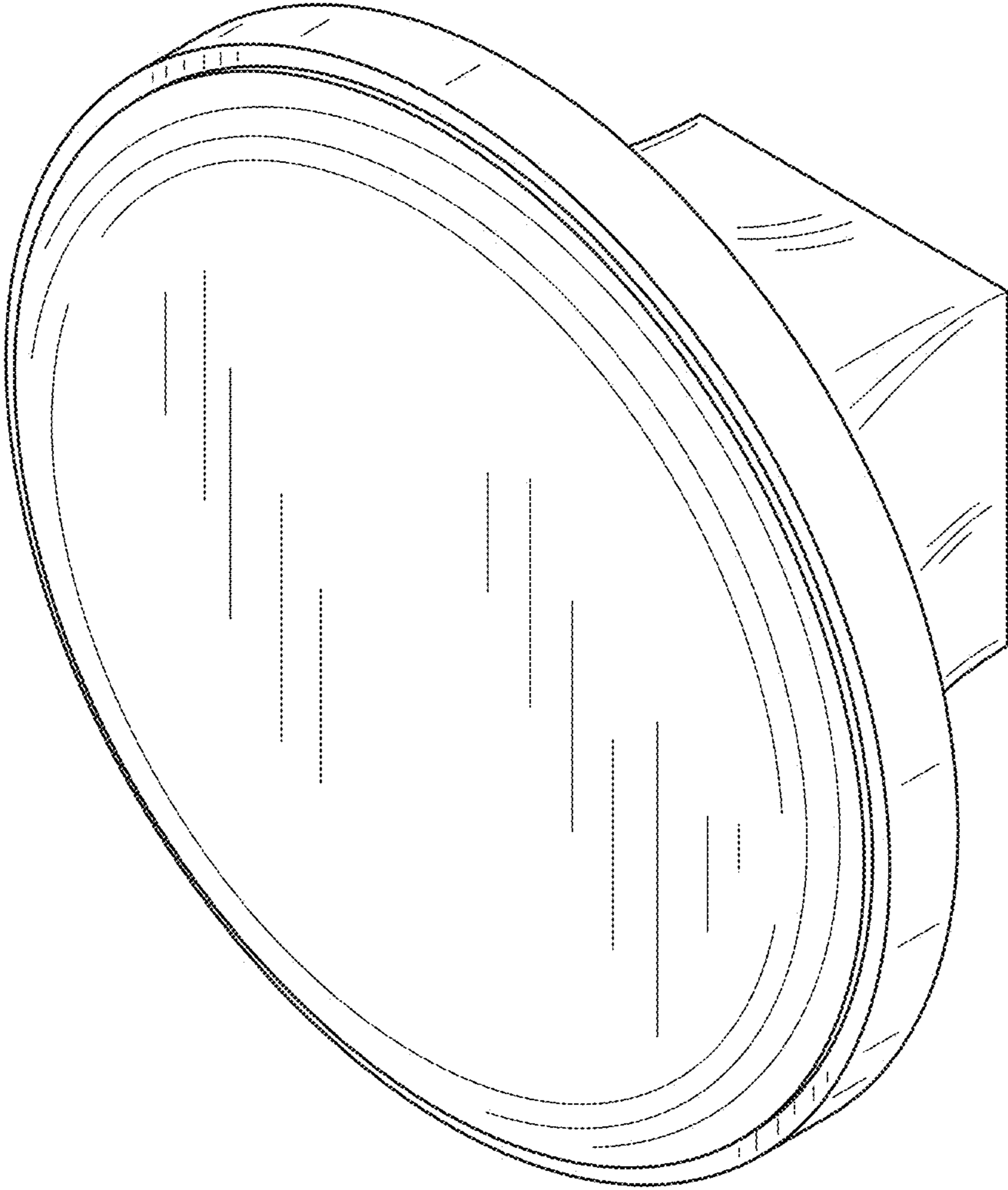


FIG.2

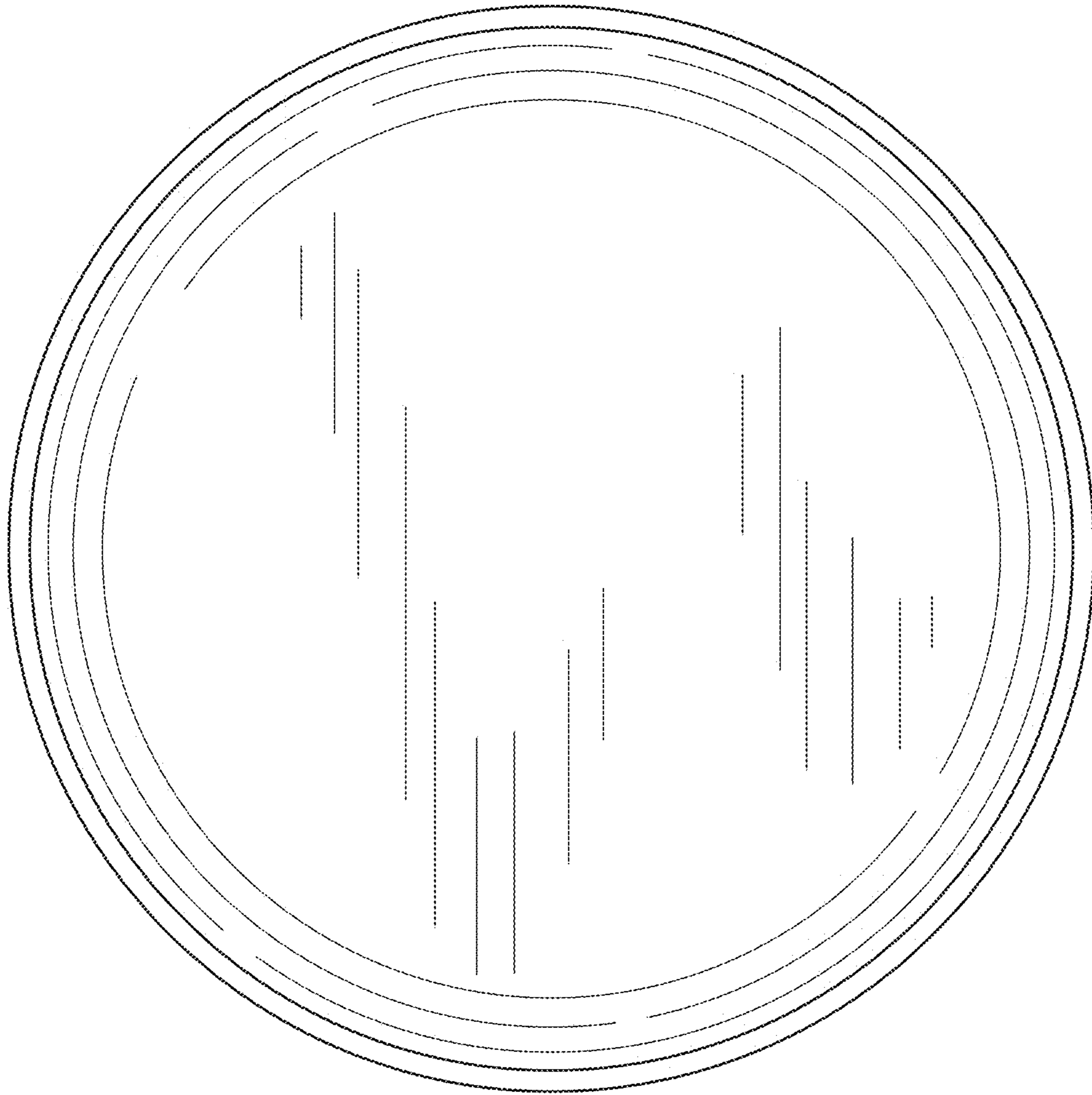


FIG.3

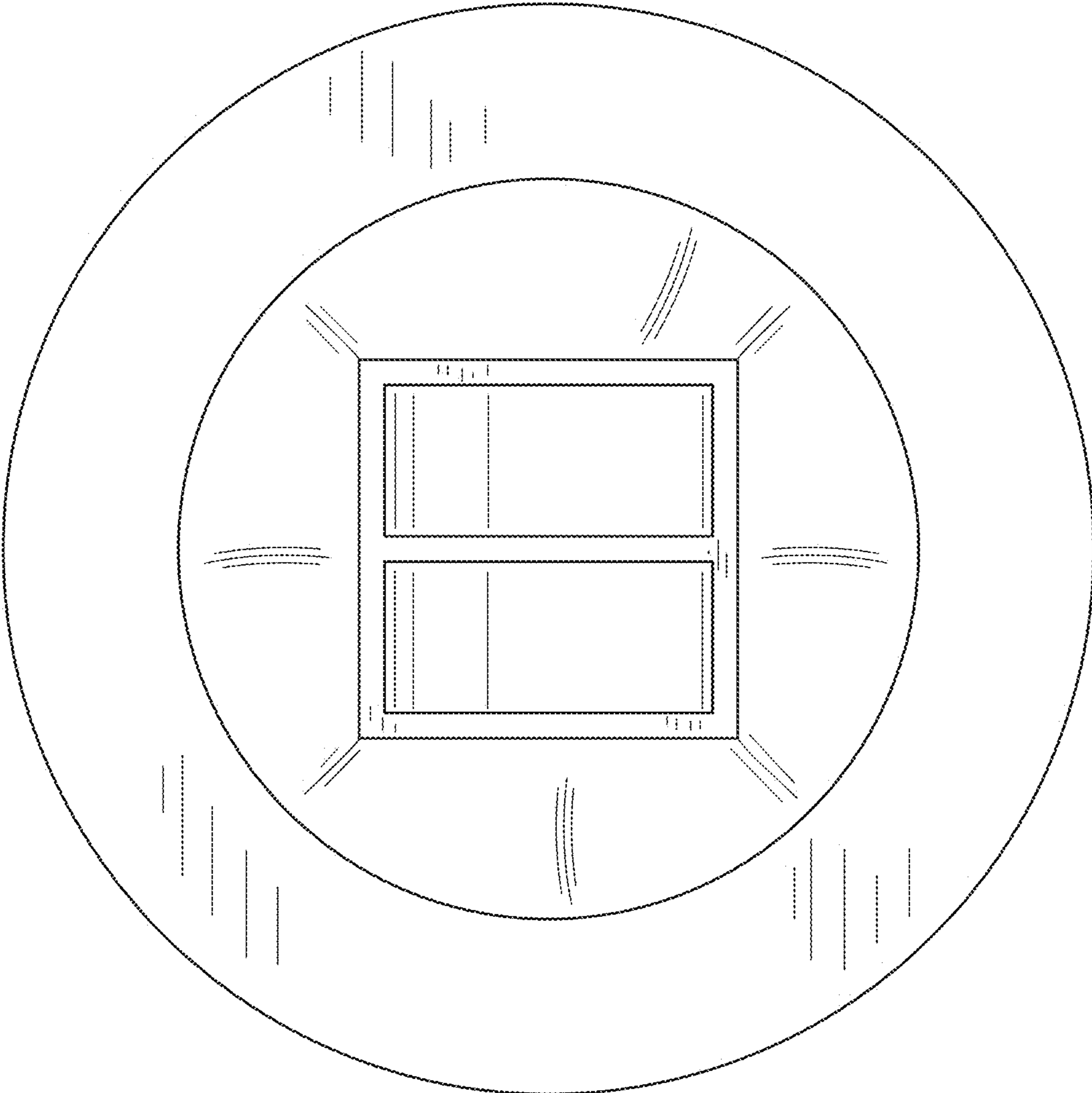


FIG. 4

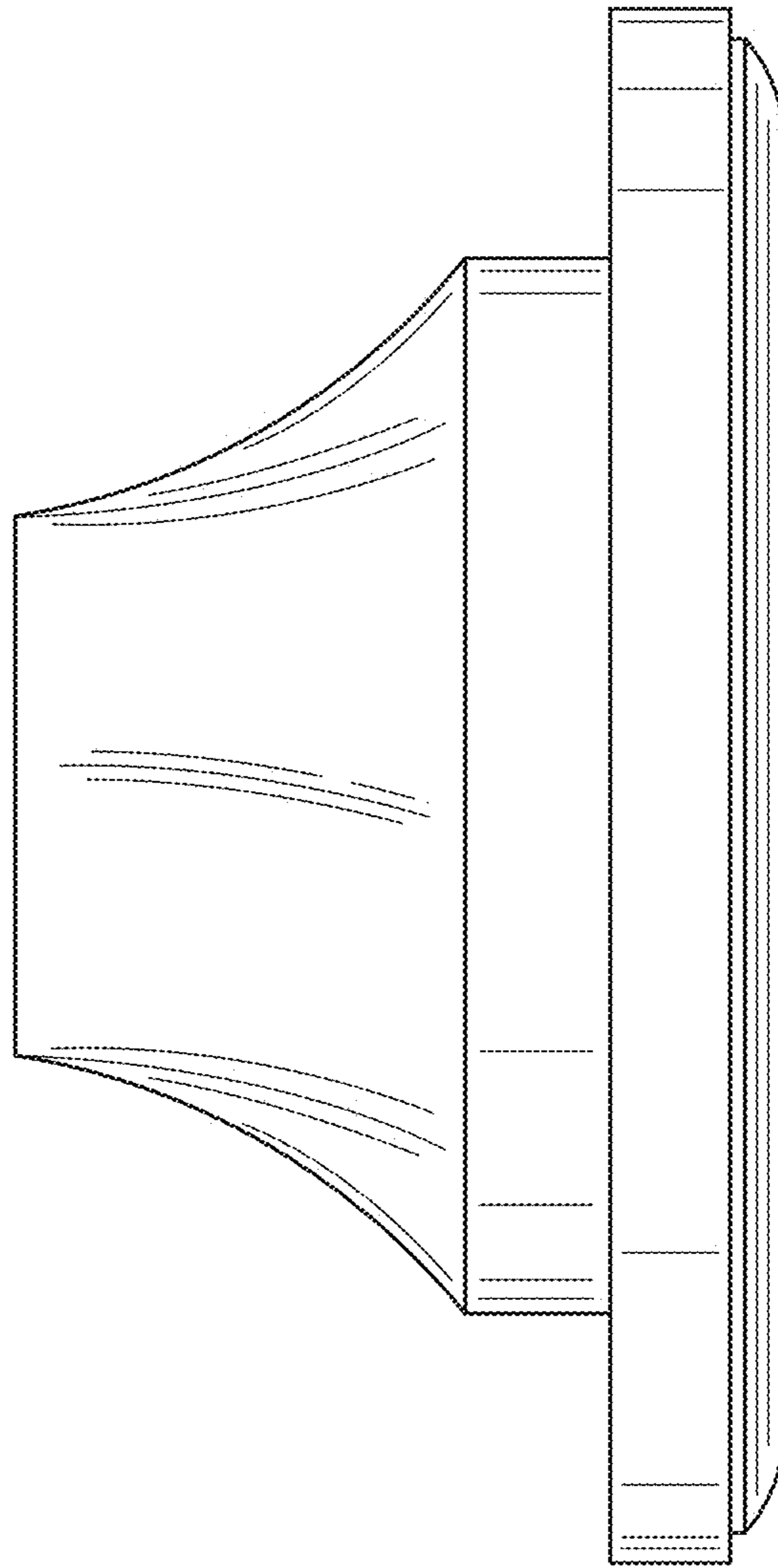


FIG.5

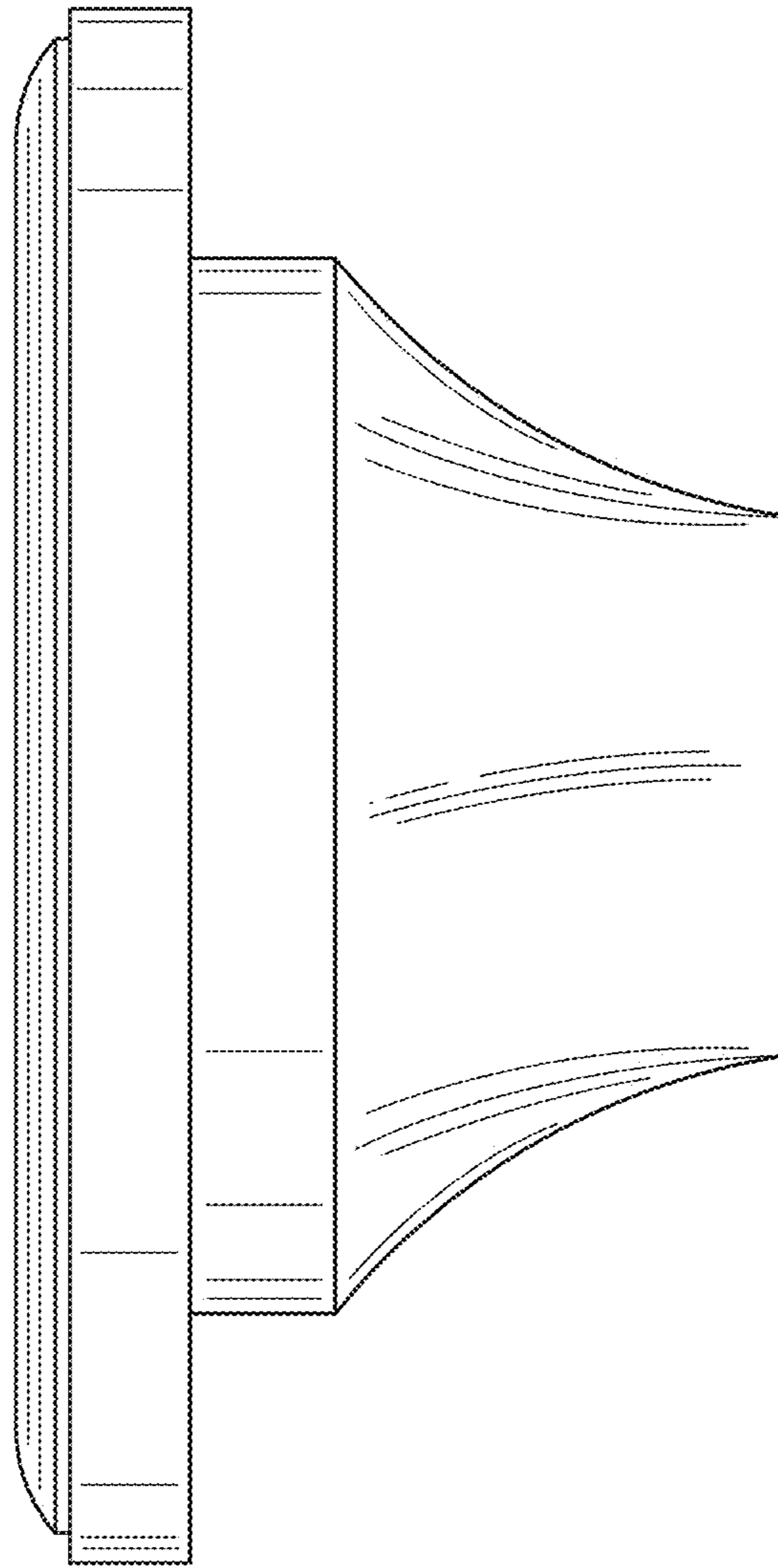


FIG.6

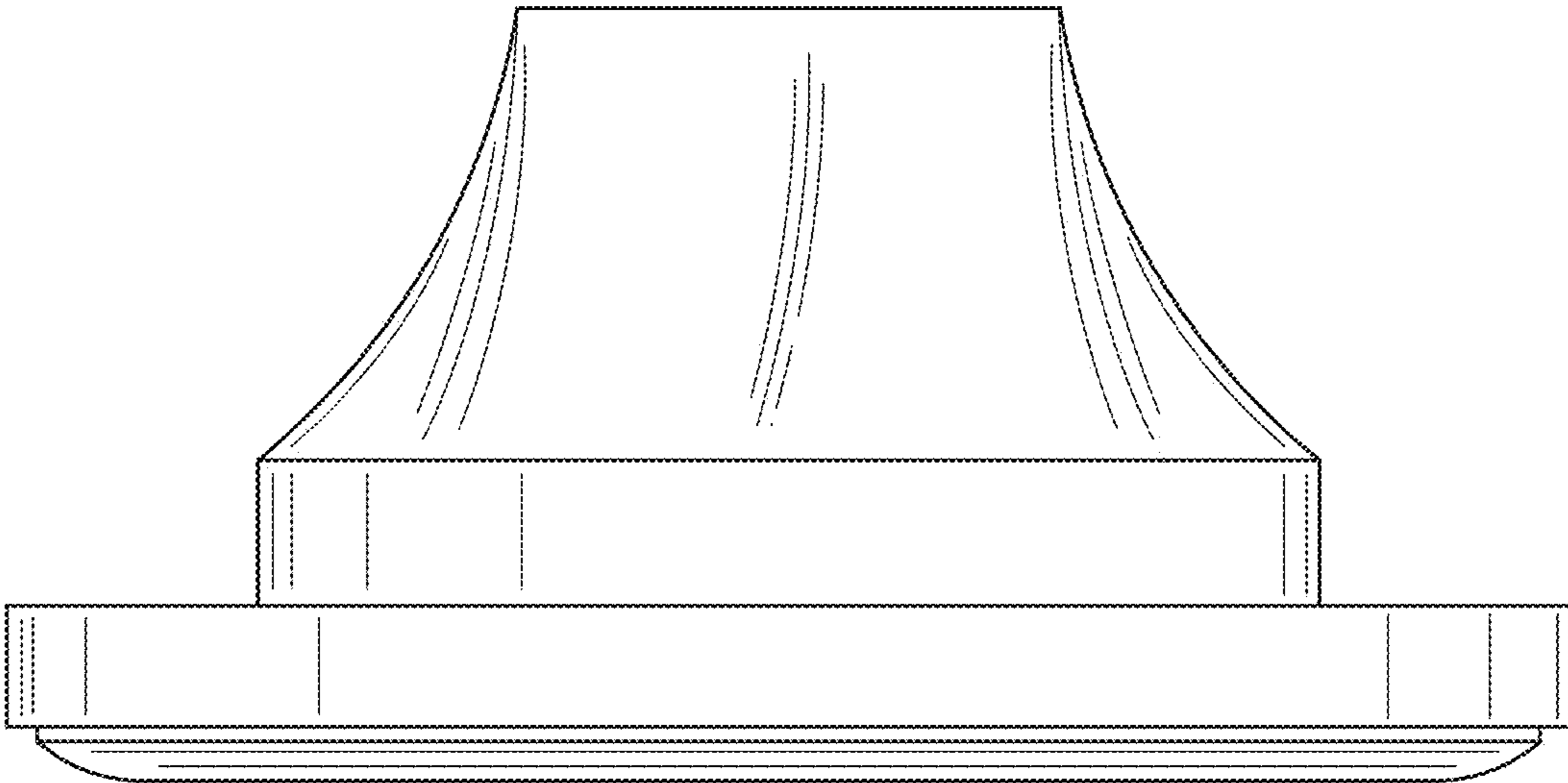


FIG.7

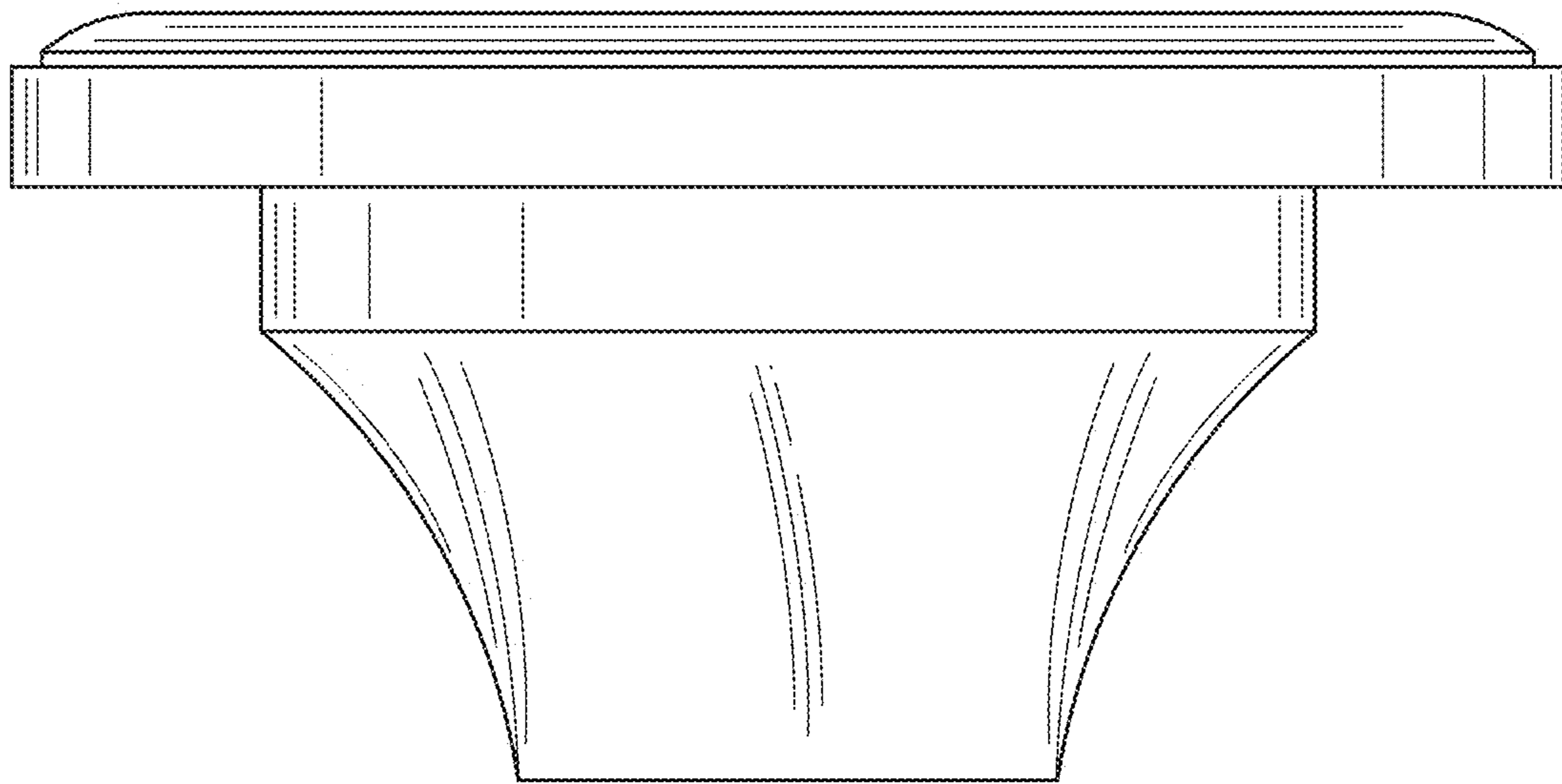


FIG.8