



US00D879085S

(12) **United States Design Patent** (10) **Patent No.:** **US D879,085 S**
Lee (45) **Date of Patent:** **** Mar. 24, 2020**

- (54) **CASE FOR ELECTRONIC COMMUNICATIONS DEVICE**
- (71) Applicant: **SPIGEN KOREA CO., LTD.**, Seoul (KR)
- (72) Inventor: **Jong Hwa Lee**, Seoul (KR)
- (73) Assignee: **Spigen Korea CO., LTD.**, Seoul (KR)
- (**) Term: **15 Years**
- (21) Appl. No.: **29/682,167**
- (22) Filed: **Mar. 1, 2019**
- (51) **LOC (12) Cl.** **14-03**
- (52) **U.S. Cl.**
USPC **D14/250**
- (58) **Field of Classification Search**
USPC D3/201, 218, 226, 227, 247, 249, 250, D3/269, 303; D13/103, 107, 108, 119; D14/137, 138 R, 138 AA, 138 C, 138 G, D14/172, 192, 203.3–203.7, 217, 238.1, D14/247, 248, 250–253, 434, 440, 447, D14/496
CPC H04B 1/3888; H04M 1/0283; H04M 1/0202; A45C 1/06; A45C 2011/002; A45C 11/00; A45F 2005/028; A45F 2200/0525
See application file for complete search history.

- D716,280 S 10/2014 Macrina et al.
 - D716,284 S 10/2014 Melanson et al.
 - D723,018 S * 2/2015 White D14/250
 - D725,643 S * 3/2015 Lee D14/250
 - D729,788 S * 5/2015 Witter D14/250
 - D733,154 S 6/2015 Armstrong et al.
- (Continued)

OTHER PUBLICATIONS

Spigen Tough Armor iPhone X Case review, publication date Dec. 11, 2017, [online][site visited Aug. 14, 2019] URL: <https://www.youtube.com/watch?v=foz1A5CKGZc> (Year: 2017).*

(Continued)

Primary Examiner — Susan E Krakower
Assistant Examiner — L. A. Grabenstetter
(74) *Attorney, Agent, or Firm* — Heedong Chae; Lucem, PC

(57) **CLAIM**

The ornamental design for a case for electronic communications device, as shown and described.

DESCRIPTION

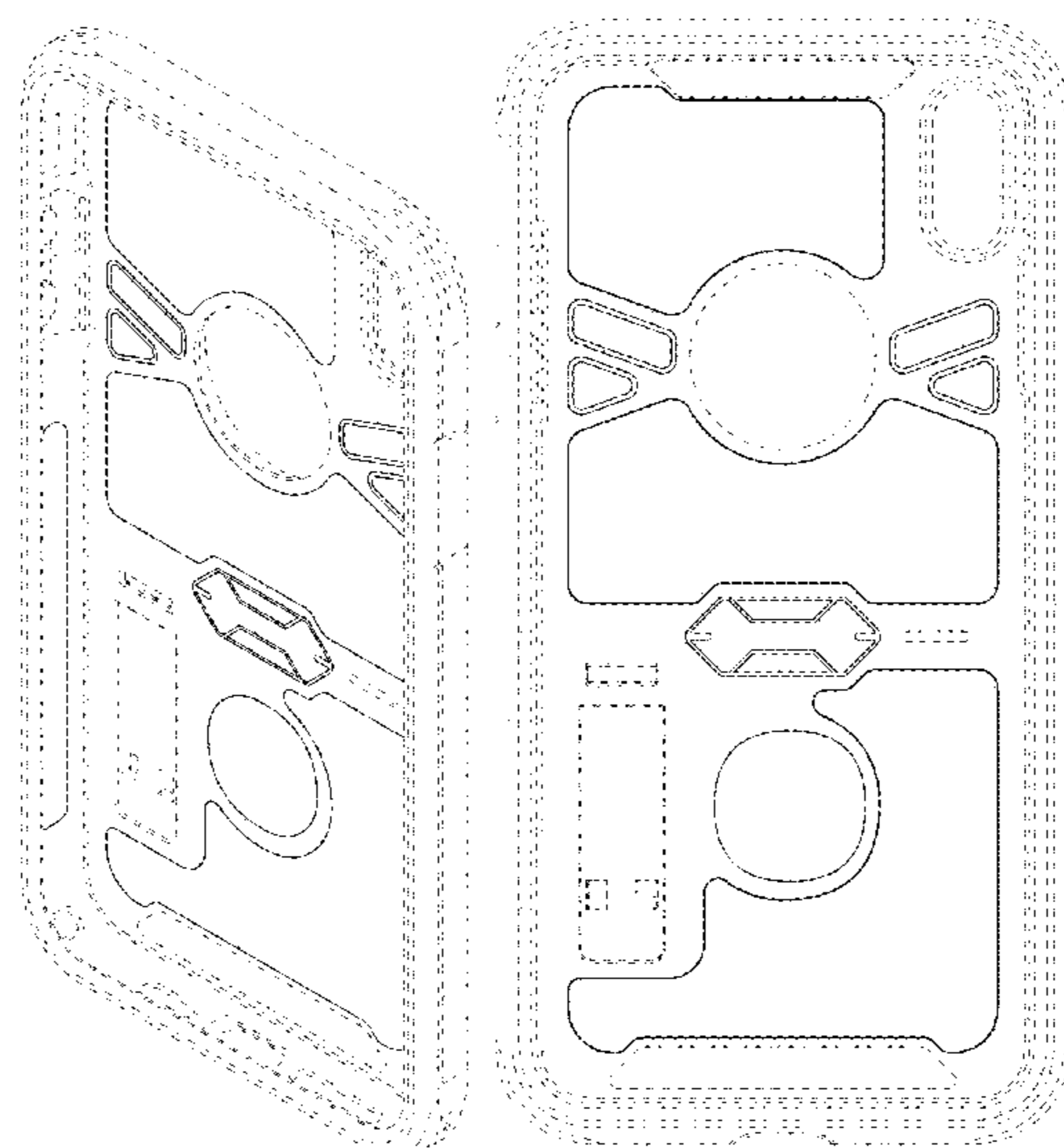
FIG. 1 is a front, top, right side perspective view of a case for electronic communications device showing my new design;
FIG. 2 is a rear perspective view thereof;
FIG. 3 is a front elevational view thereof;
FIG. 4 is a rear elevational view thereof;
FIG. 5 is a left side elevational view thereof;
FIG. 6 is a right side elevational view thereof;
FIG. 7 is a top plan view thereof;
FIG. 8 is a bottom plan view thereof;
FIG. 9 is a front, right side perspective view thereof;
FIG. 10 is a front, left side perspective view thereof; and,
FIG. 11 is a front, bottom perspective view thereof.
The broken lines depict portions of the case that form no part of the claimed design.

1 Claim, 11 Drawing Sheets

(56) **References Cited**

U.S. PATENT DOCUMENTS

- D597,089 S * 7/2009 Khan D14/250
- D624,909 S * 10/2010 Huskinson D14/250
- D626,538 S * 11/2010 Brown D14/250
- D671,932 S 12/2012 Azoulay
- D674,792 S 1/2013 Magness
- D699,714 S * 2/2014 Melanson D14/250
- D704,687 S * 5/2014 Northrup D14/250
- D712,159 S * 9/2014 Clerici D5/5
- D712,890 S * 9/2014 McCormac D14/250



(56)

References Cited

U.S. PATENT DOCUMENTS

D741,845 S * 10/2015 Kim D14/250
D742,868 S 11/2015 Odhwani et al.
D746,274 S * 12/2015 Herbst D14/250
D764,451 S 8/2016 Hung et al.
D765,638 S 9/2016 Gaylord et al.
D765,642 S 9/2016 Bulkley
D766,249 S 9/2016 Veltz et al.
D766,885 S 9/2016 Armstrong et al.
D768,123 S 10/2016 Armstrong et al.
D772,853 S * 11/2016 Wicks D14/250
D790,525 S 6/2017 Kellogg
D792,875 S * 7/2017 Kim D14/250
D792,877 S * 7/2017 Kim D14/250
9,774,713 B2 * 9/2017 Guerdrum H04M 1/0264
D831,631 S * 10/2018 Li D14/250
D837,219 S 1/2019 Gao
D840,385 S 2/2019 Deng
D840,990 S 2/2019 Kim

OTHER PUBLICATIONS

iPhone XS Max Spigen Tough Armor XP Case review, publication date Feb. 12, 2019, [online][site visited Aug. 14, 2019] URL: <https://www.youtube.com/watch?v=Fs17rxqYWW0> (Year: 2019).*

Spigen releases new Silicon Fit and Tough Armor XP iPhone XS, XS Max and XR cases, publication date Feb. 12, 2019, [online][site visited Aug. 14, 2019] URL: <https://mobilesyrup.com/2019/02/12/spigen-silicone-fit-tough-armor-xp-iphone-xs-max-xr-cases/> (Year: 2019).*

* cited by examiner

FIG. 1

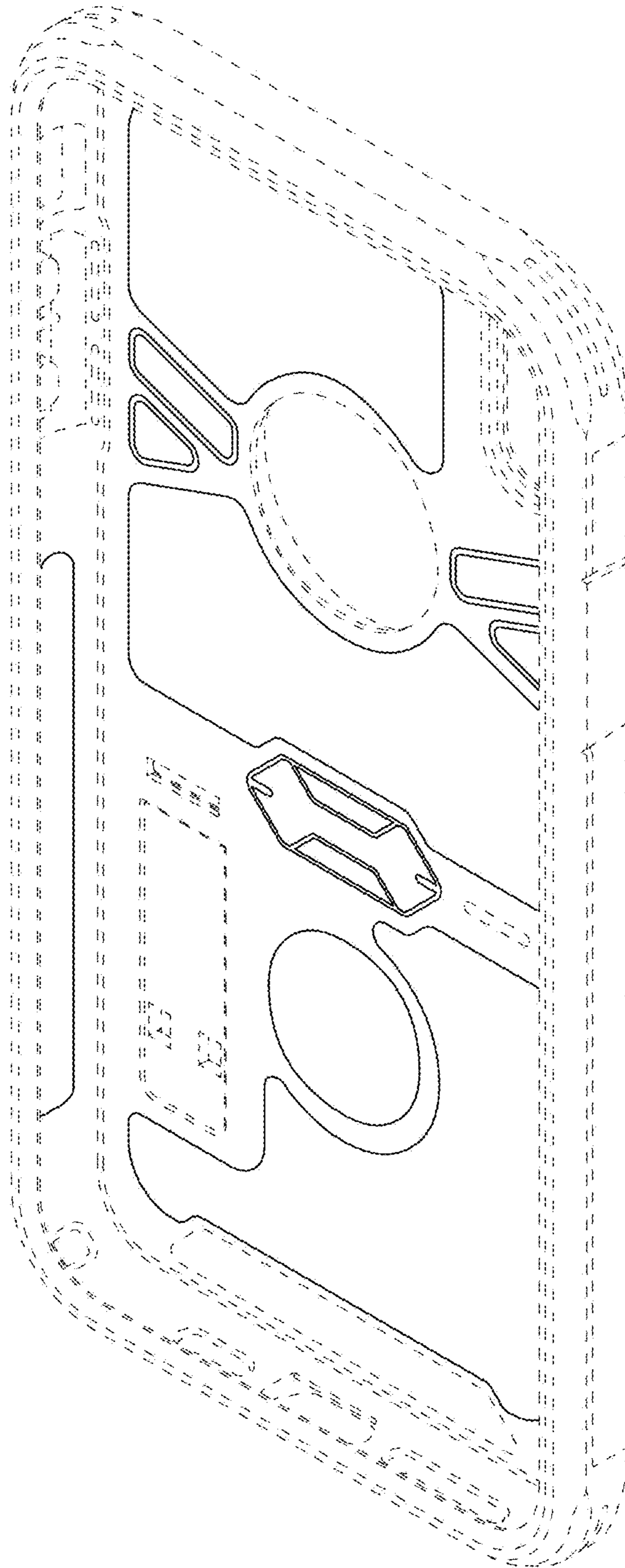


FIG. 2

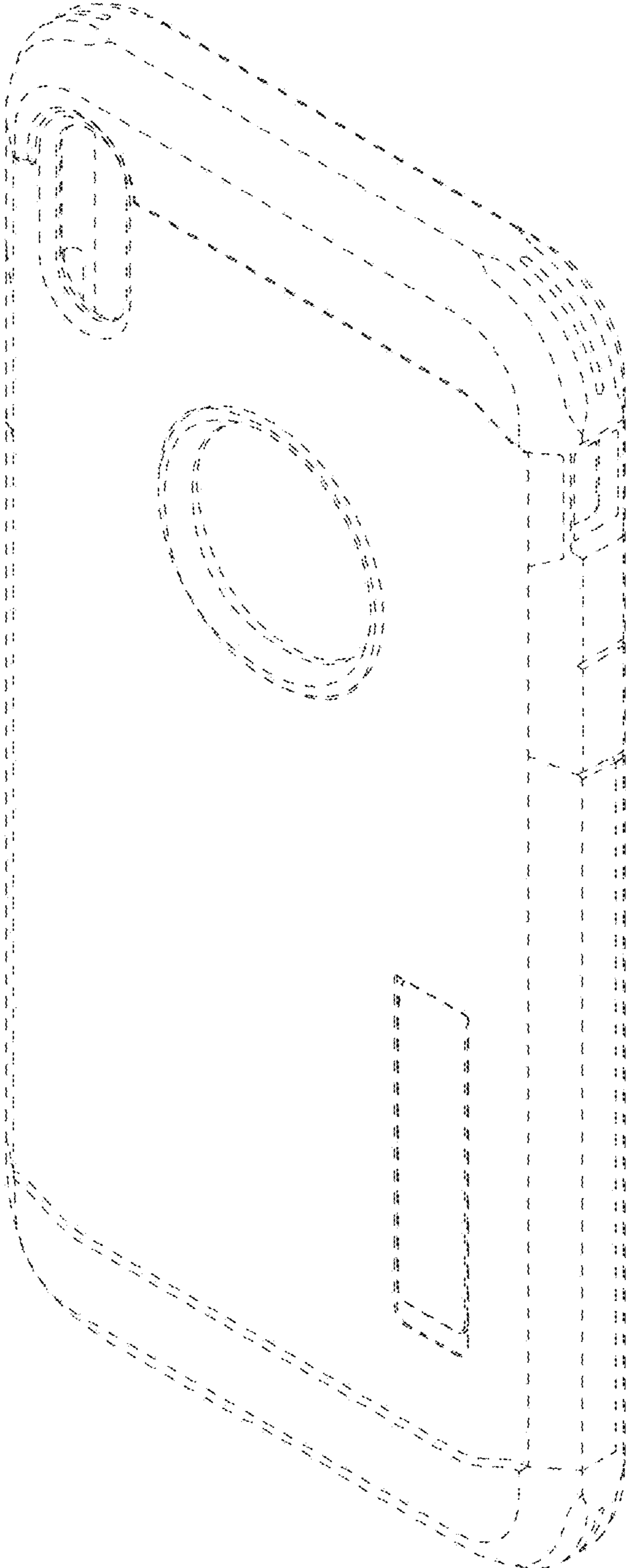


FIG. 3

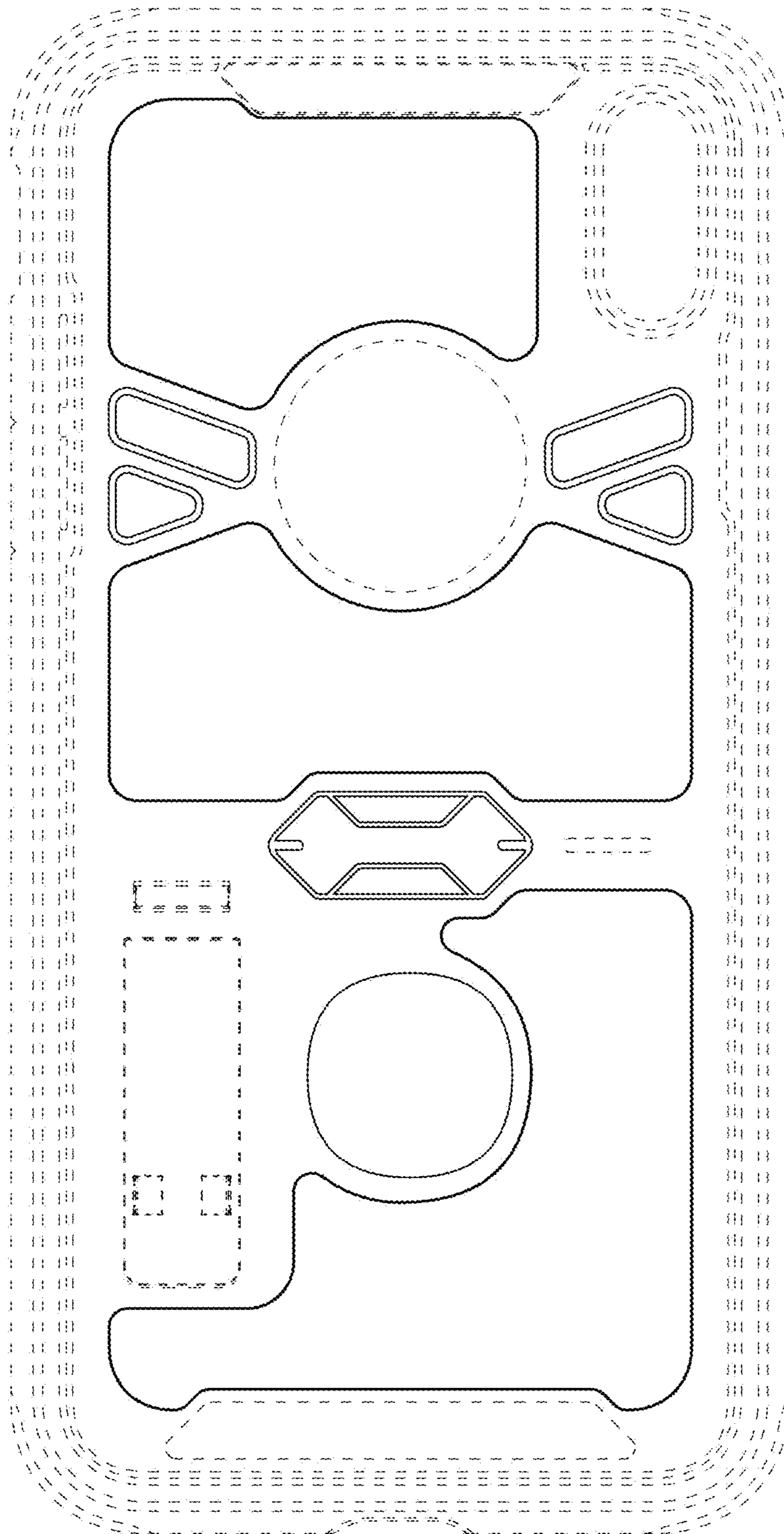


FIG. 4

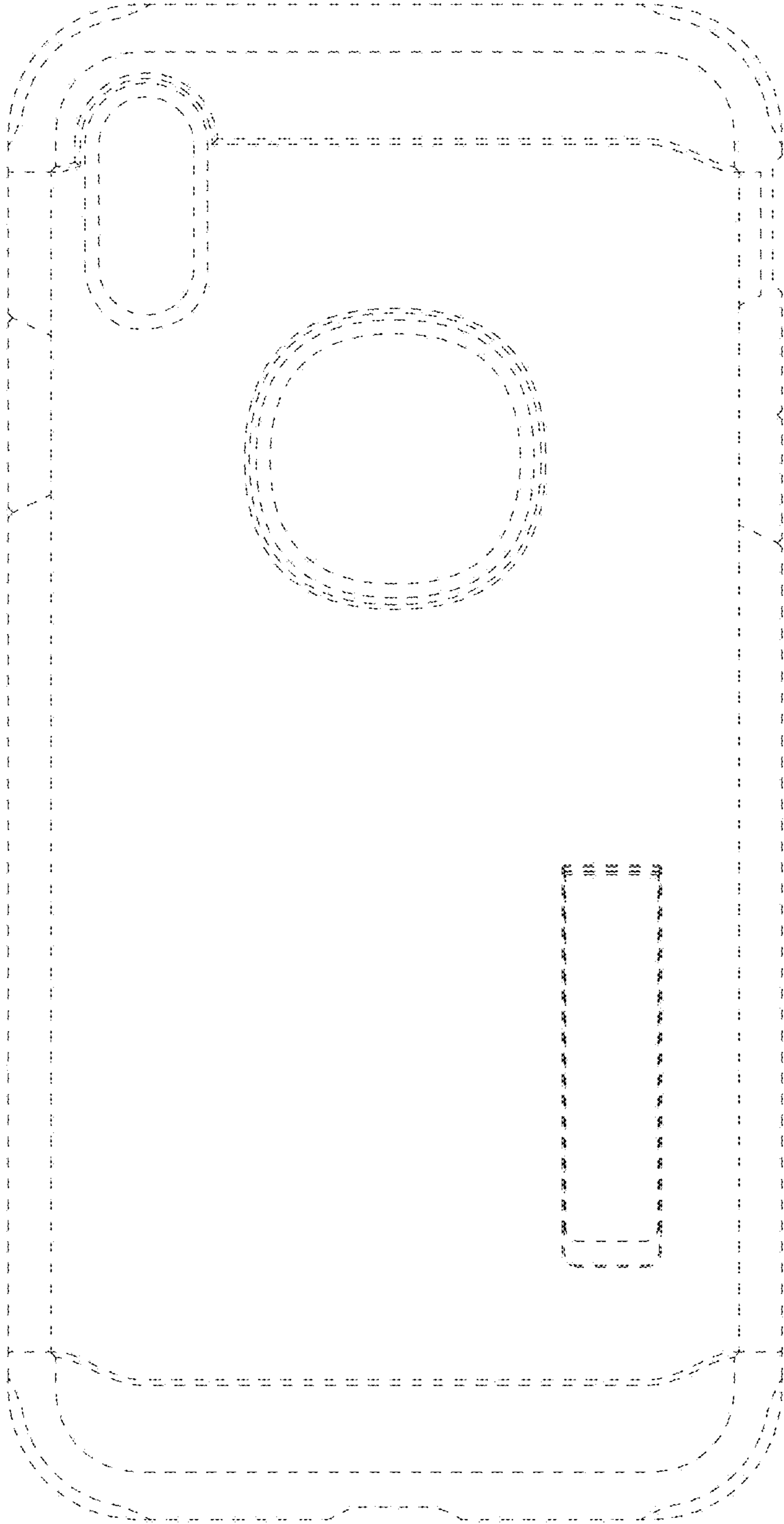


FIG. 5

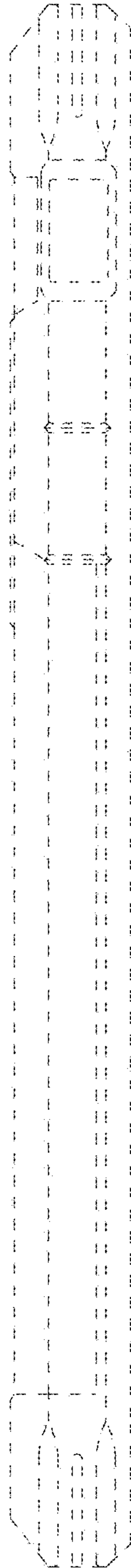


FIG. 6

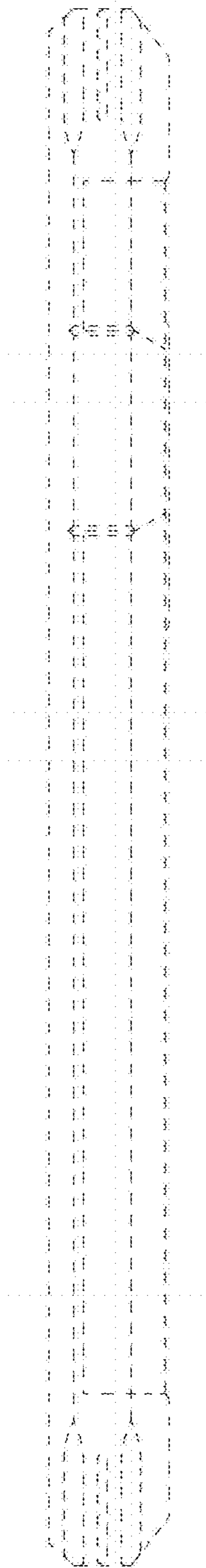


FIG. 7



FIG. 8



FIG. 9

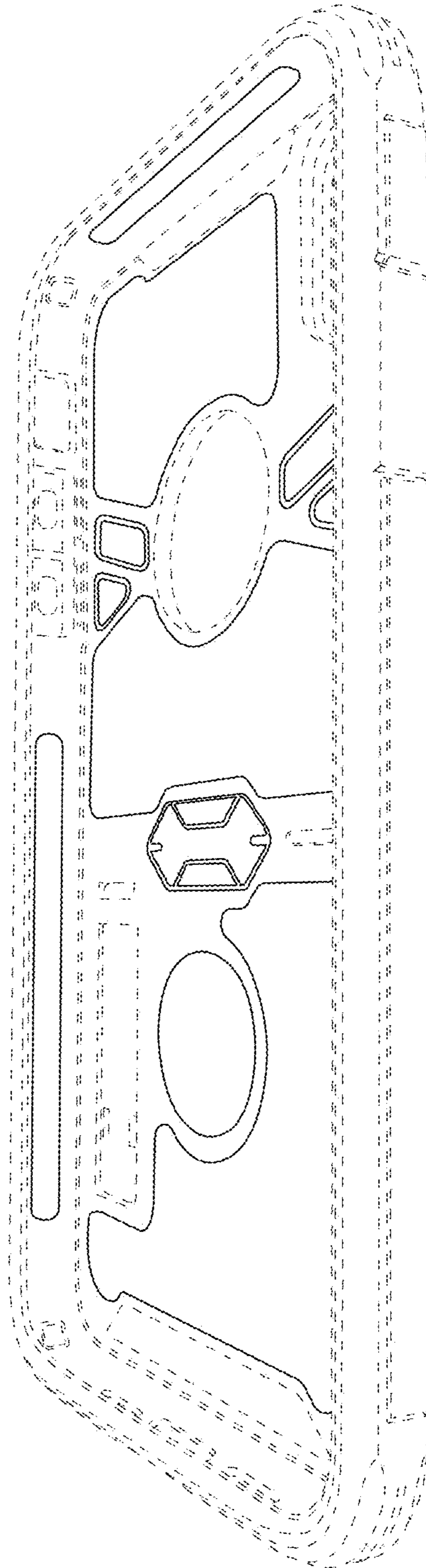


FIG. 10

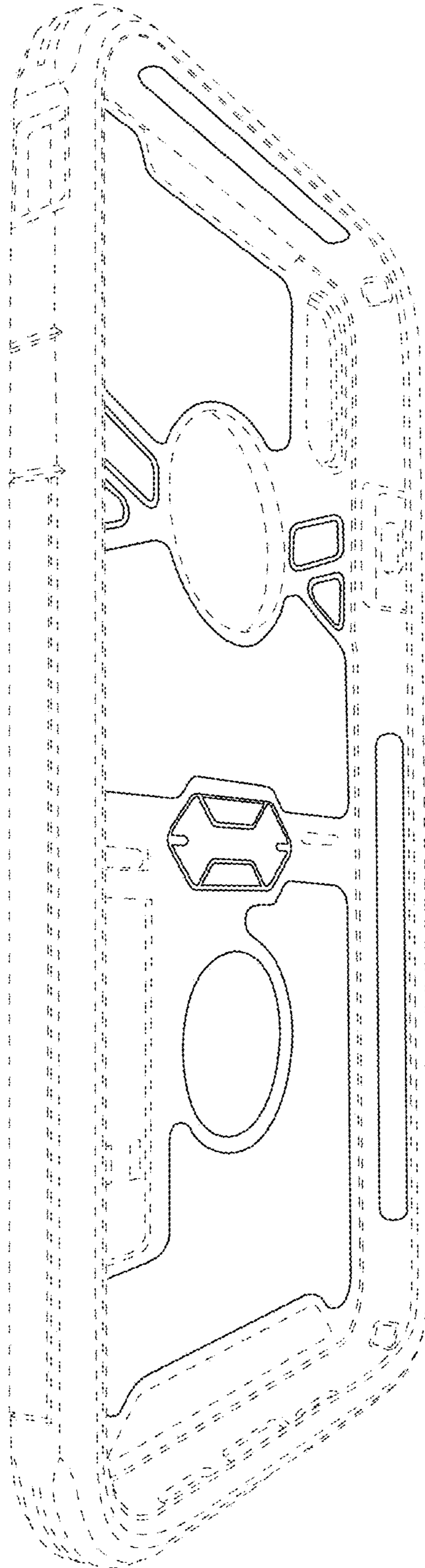


FIG. 11

