



US00D879083S

(12) **United States Design Patent**  
**Feng**

(10) **Patent No.:** **US D879,083 S**

(45) **Date of Patent:** **\*\* Mar. 24, 2020**

(54) **MOBILE PHONE PROTECTIVE CASE**

(71) Applicant: **GUANGZHOU WENYI COMMUNICATION EQUIPMENT CO., LTD.**, Guangzhou (Guangdong Province) (CN)

(72) Inventor: **Youru Feng**, Guangzhou (CN)

(73) Assignee: **GUANGZHOU WENYI COMMUNICATION EQUIPMENT CO., LTD.**, Guangzhou (CN)

(\*\*) Term: **15 Years**

(21) Appl. No.: **29/615,948**

(22) Filed: **Aug. 31, 2017**

(51) **LOC (12) Cl.** ..... **14-03**

(52) **U.S. Cl.**  
USPC ..... **D14/250**

(58) **Field of Classification Search**  
USPC ..... D3/201, 218, 226, 227, 247, 249, 250, D3/269, 303; D13/103, 107, 108, 119;  
(Continued)

(56) **References Cited**

U.S. PATENT DOCUMENTS

D714,278 S \* 9/2014 Case ..... D14/250  
D719,951 S \* 12/2014 Fenton ..... D14/253  
(Continued)

*Primary Examiner* — Susan E Krakower  
*Assistant Examiner* — L. A. Grabenstetter  
(74) *Attorney, Agent, or Firm* — Yong Chen

(57) **CLAIM**

The ornamental design for a mobile phone protective case, as shown and described.

**DESCRIPTION**

FIG. 1 is a front view of the mobile phone protective case of the present invention when the first component and the

second component are assembled together, wherein the clip of the first component is in a closed configuration, and wherein the kickstand of the second component is in a closed configuration.

FIG. 2 is a back view thereof.

FIG. 3 is a left view thereof.

FIG. 4 is a right view thereof.

FIG. 5 is a top view thereof.

FIG. 6 is a bottom view thereof.

FIG. 7 is an exploded perspective view of the mobile phone protective case of the present invention wherein the first component and second component are separated, wherein the clip of the first component is in a closed configuration, and wherein the kickstand of the second component is in a closed configuration.

FIG. 8 is another exploded perspective view of the mobile phone protective case of the present invention wherein the first component and second component are separated, wherein the clip of the first component is in a closed configuration, and wherein the kickstand of the second component is in a closed configuration.

FIG. 9 is a front view of the mobile phone protective case of the present invention when the first component and the second component are assembled together, wherein the clip of the first component is in an open configuration, and wherein the kickstand of the second component is in an open configuration.

FIG. 10 is a back view thereof.

FIG. 11 is a left view thereof.

FIG. 12 is a right view thereof.

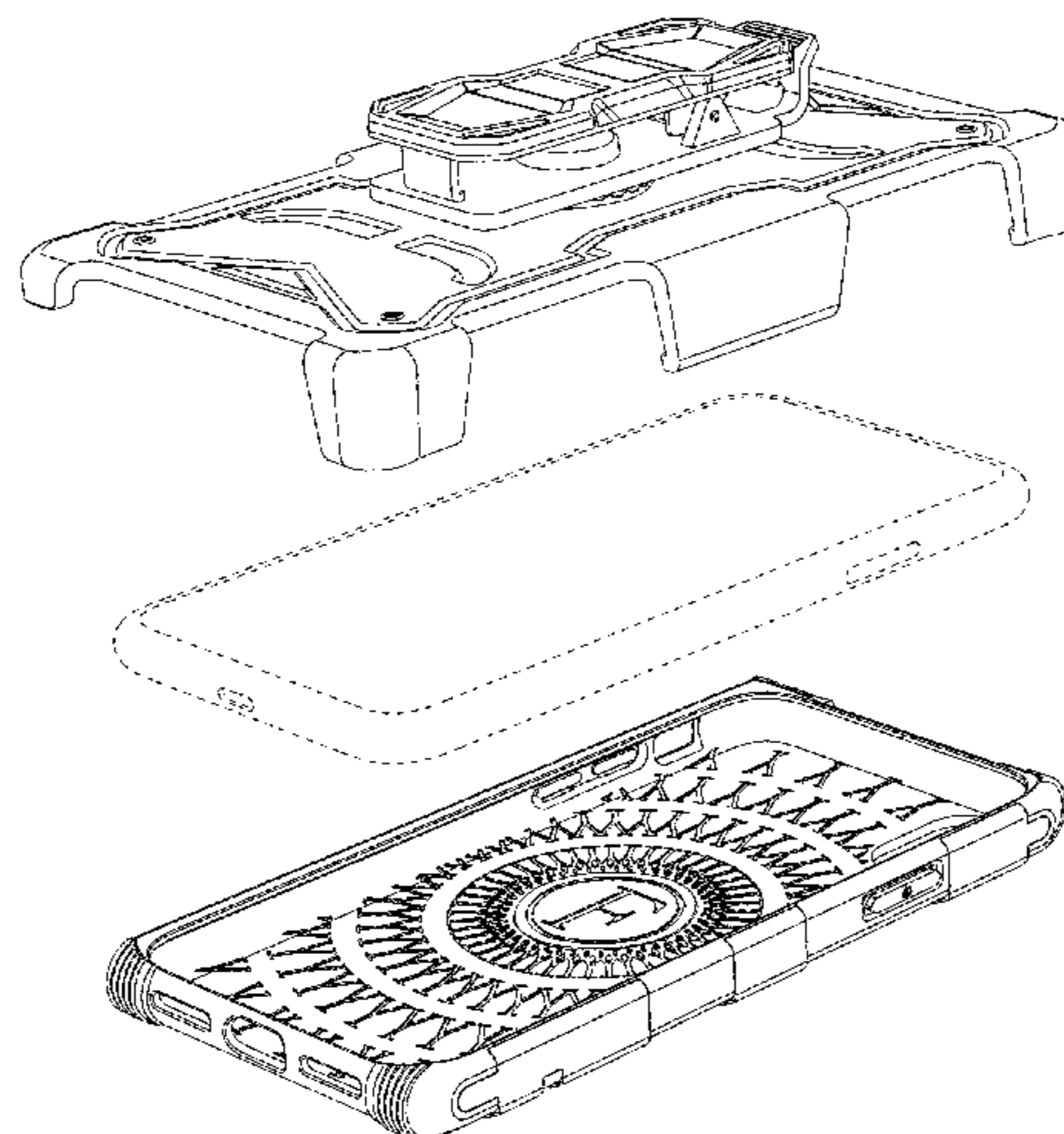
FIG. 13 is a top view thereof.

FIG. 14 is a bottom view thereof.

FIG. 15 is an exploded perspective view of the mobile phone protective case of the present invention wherein the first component and second component are separated, wherein the clip of the first component is in an open configuration, and wherein the kickstand of the second component is in an open configuration.

FIG. 16 is another exploded perspective view of the mobile phone protective case of the present invention wherein the first component and second component are separated, wherein the clip of the first component is in an open

(Continued)



configuration, and wherein the kickstand of the second component is in an open configuration.

FIG. 17 is a front view of a first component shown in isolation for clarity of disclosure, which includes a first cover and a clip coupled thereto, of a mobile phone protective case of the present invention, wherein the clip is in a closed configuration.

FIG. 18 is a back view of the first component as shown in FIG. 17.

FIG. 19 is a left view of the first component as shown in FIG. 17.

FIG. 20 is a right view of the first component as shown in FIG. 17.

FIG. 21 is a top view of the first component as shown in FIG. 17.

FIG. 22 is a bottom view of the first component as shown in FIG. 17.

FIG. 23 is a perspective view of the first component shown in isolation for clarity of disclosure, wherein the clip is in an open configuration.

FIG. 24 is another perspective view of the first component shown in isolation for clarity of disclosure, wherein the clip is in an open configuration.

FIG. 25 is a front view of a second component shown in isolation for clarity of disclosure, which includes a second cover and a kickstand coupled thereto, of the mobile phone protective case of the present invention.

FIG. 26 is a back view of the second component shown in isolation for clarity of disclosure, wherein the kickstand is in a closed configuration.

FIG. 27 is a left view of the second component as shown in FIG. 25.

FIG. 28 is a right view of the second component as shown in FIG. 25.

FIG. 29 is a top view of the second component as shown in FIG. 25.

FIG. 30 is a bottom view of the second component as shown in FIG. 25.

FIG. 31 is a perspective view of the second component shown in isolation for clarity of disclosure, wherein the kickstand is in an open configuration; and,

FIG. 32 is another perspective view of the second component shown in isolation for clarity of disclosure, wherein the kickstand is in an open configuration.

Although the mobile phone protective case in which the claimed design is embodied consists of a first component and a second component, the claim is directed to the ornamental appearance of the mobile phone protective case in its entirety and does not extend to the ornamental appearance of each of the individual components of the mobile phone protective case in isolation.

The broken lines depict an environmental mobile phone that forms no part of the claimed design.

**1 Claim, 24 Drawing Sheets**

(58) **Field of Classification Search**

USPC ..... D14/137, 138 R, 138 AA, 138 C, 138 G,  
D14/172, 192, 203.3–203.7, 217, 238.1,  
D14/247, 248, 250–253, 434, 440, 447,  
D14/496

CPC ..... H04B 1/3888; H04M 1/0283; H04M  
1/0202; A45C 1/06; A45C 2011/002;  
A45C 11/00; A45F 2005/028; A45F  
2200/0525

See application file for complete search history.

(56) **References Cited**

U.S. PATENT DOCUMENTS

D724,065	S	*	3/2015	Fathollahi	.....	D14/250
D724,069	S	*	3/2015	Kyum	.....	D14/250
D733,696	S	*	7/2015	Burgett	.....	D14/250
D745,866	S	*	12/2015	Adelman	.....	D14/250
D763,243	S	*	8/2016	Adelman	.....	D14/250
D765,646	S	*	9/2016	Deng	.....	D12/415
D772,856	S	*	11/2016	Taylor	.....	D14/250
D773,447	S	*	12/2016	Taylor	.....	D14/250
D780,166	S	*	2/2017	Lin	.....	D14/250
D780,739	S	*	3/2017	Kalbach	.....	D14/250
D782,460	S	*	3/2017	Bertrand	.....	D14/250
D787,497	S	*	5/2017	Friedland	.....	D14/250
D794,626	S	*	8/2017	Armstrong	.....	D14/250
D802,576	S	*	11/2017	Ahn	.....	D14/250
D820,820	S	*	6/2018	Ahn	.....	D14/250

\* cited by examiner

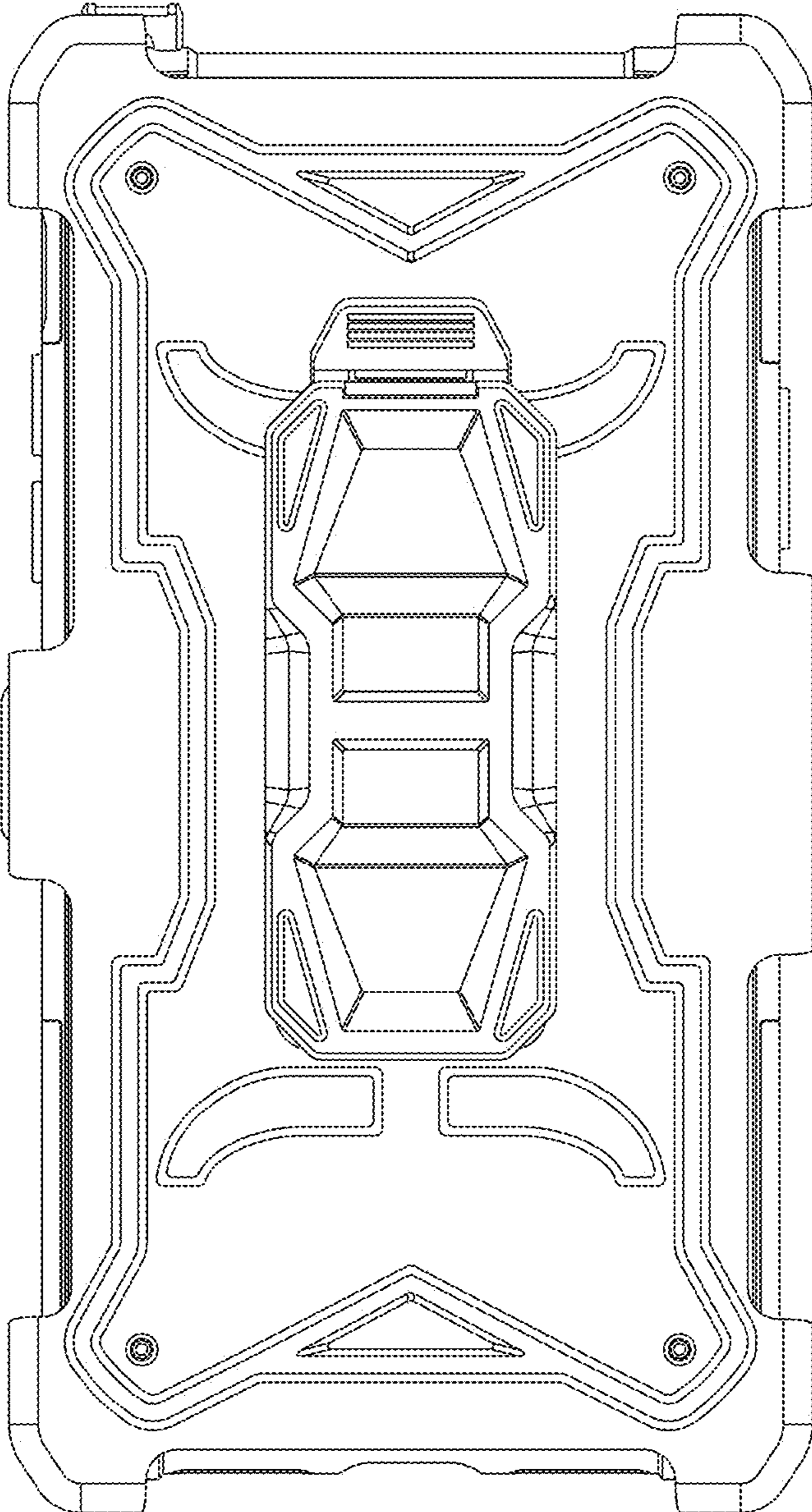


FIG. 1

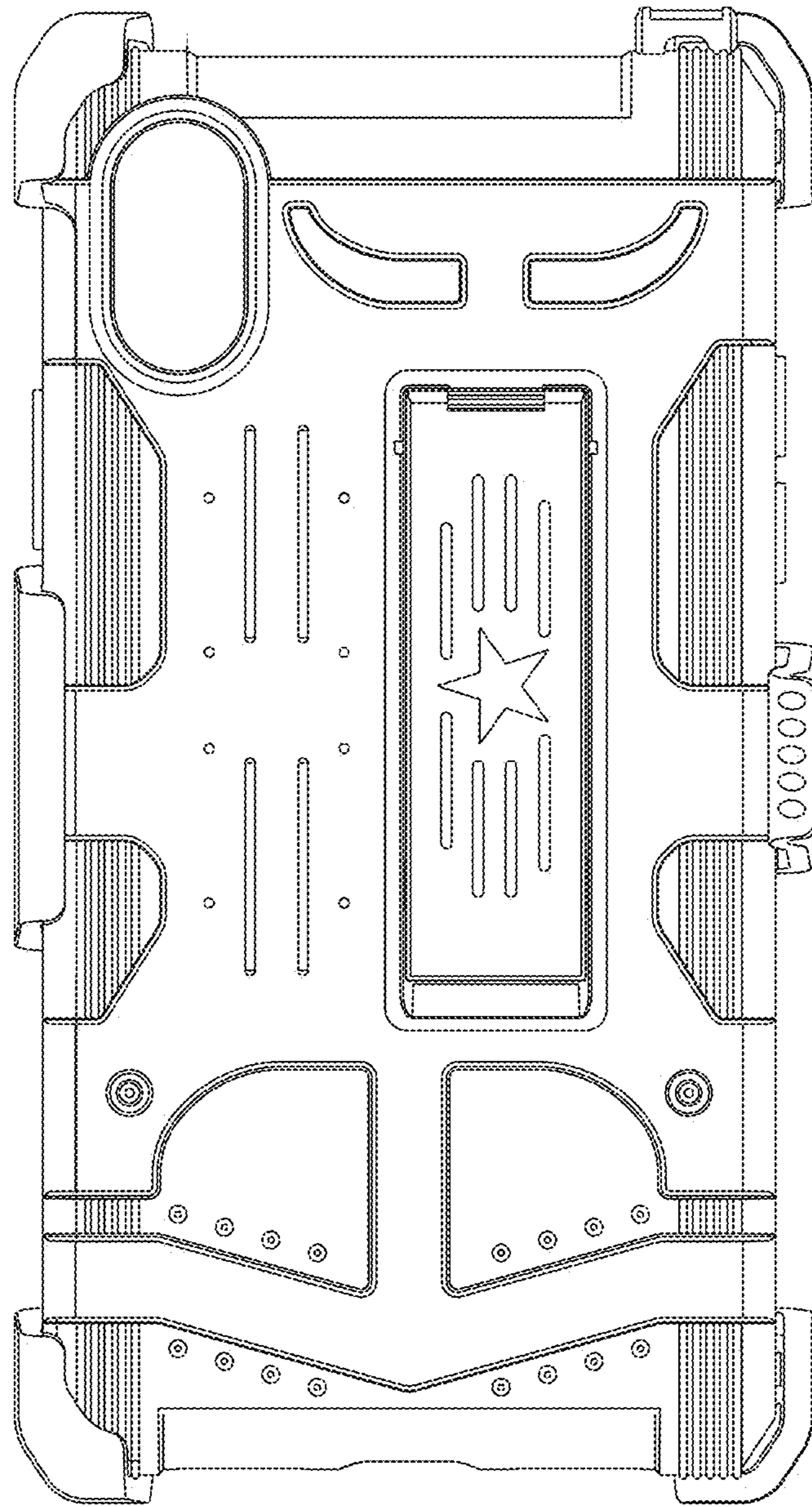


FIG. 2

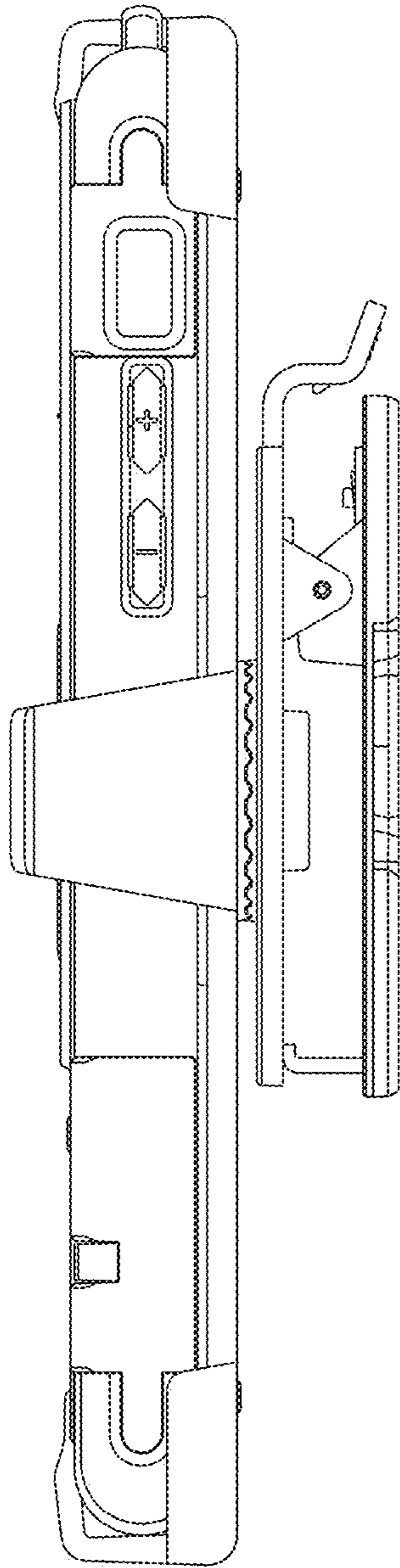


FIG. 3

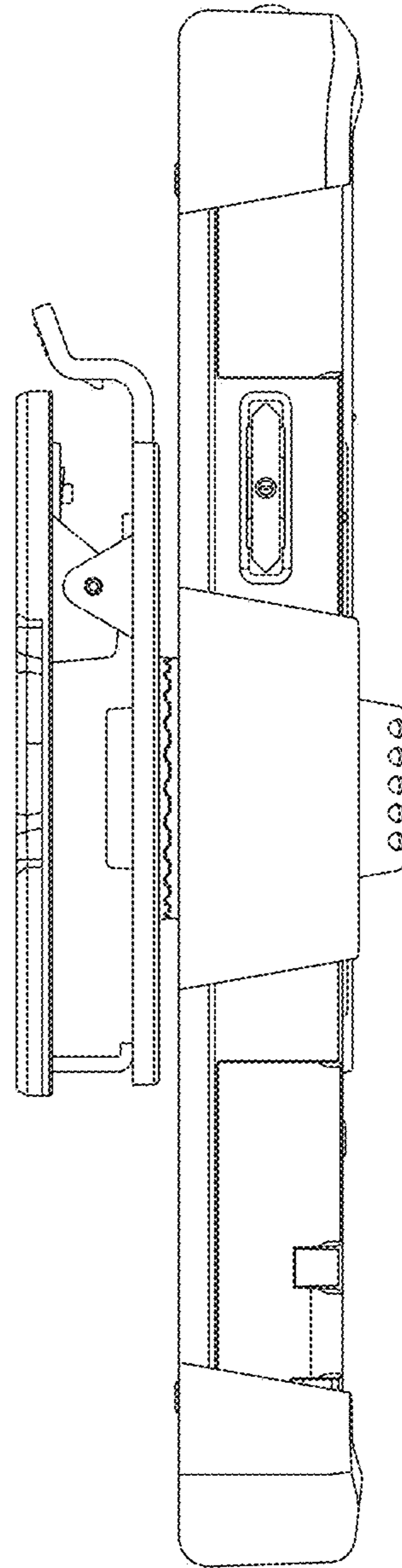


FIG. 4

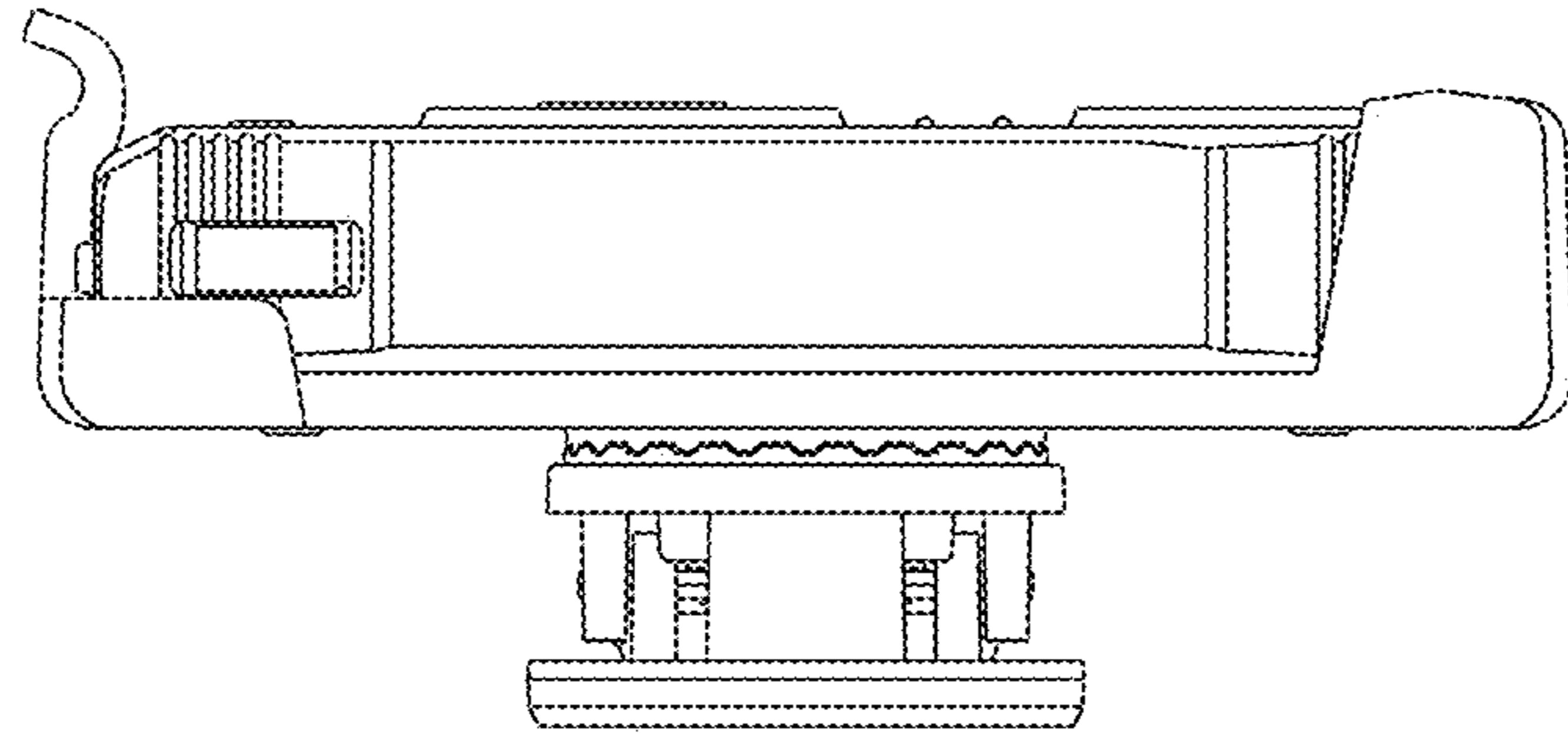


FIG. 5

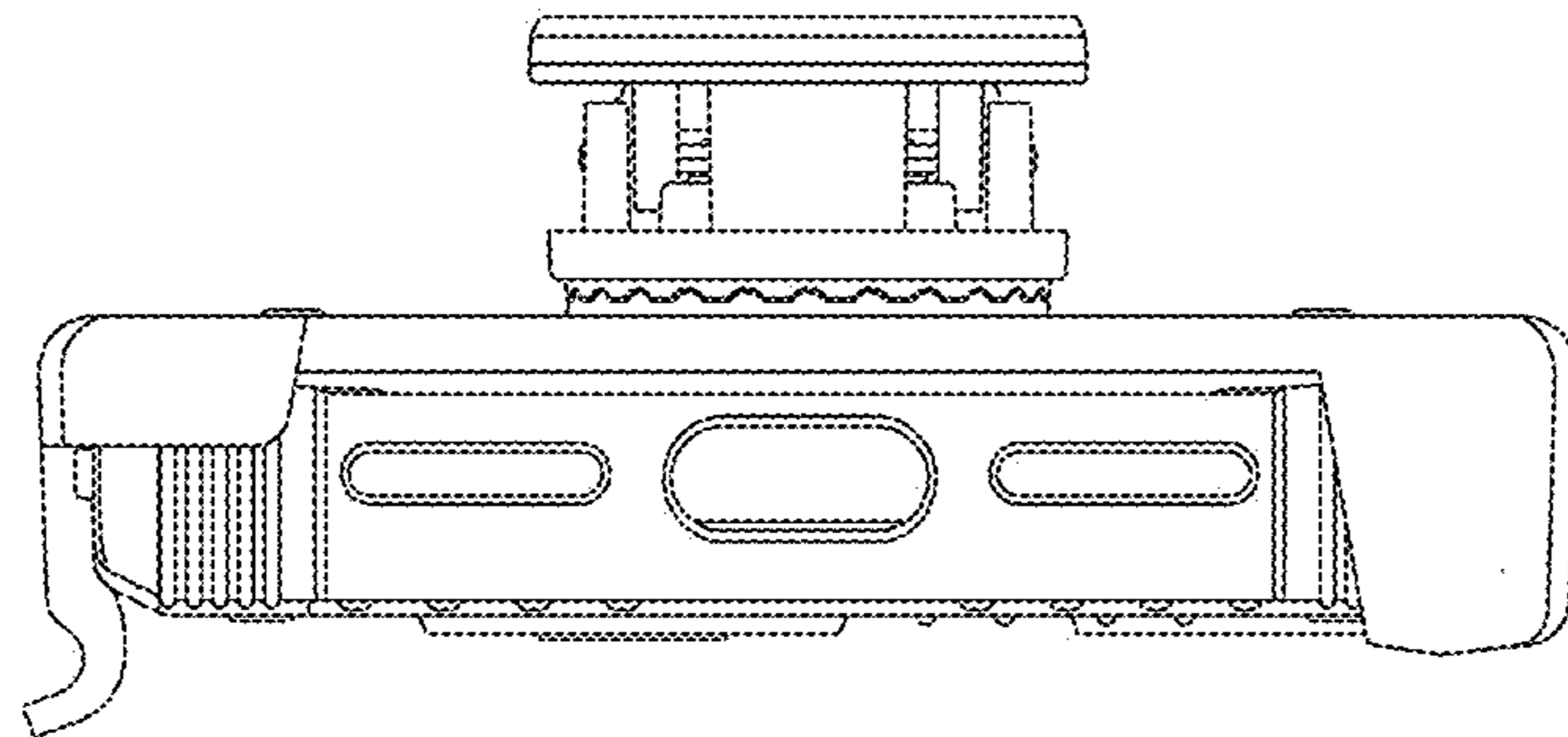


FIG. 6

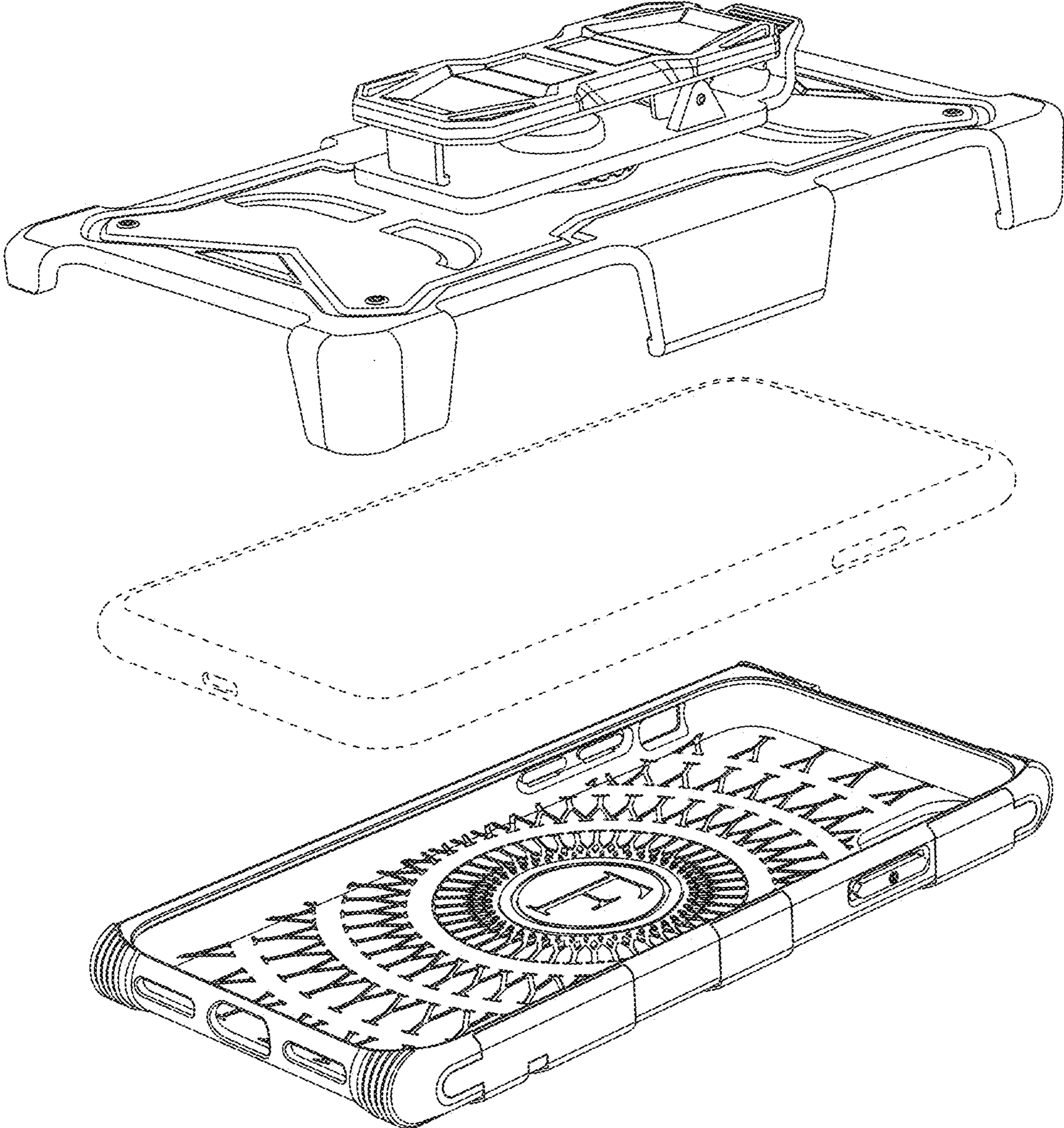


FIG. 7

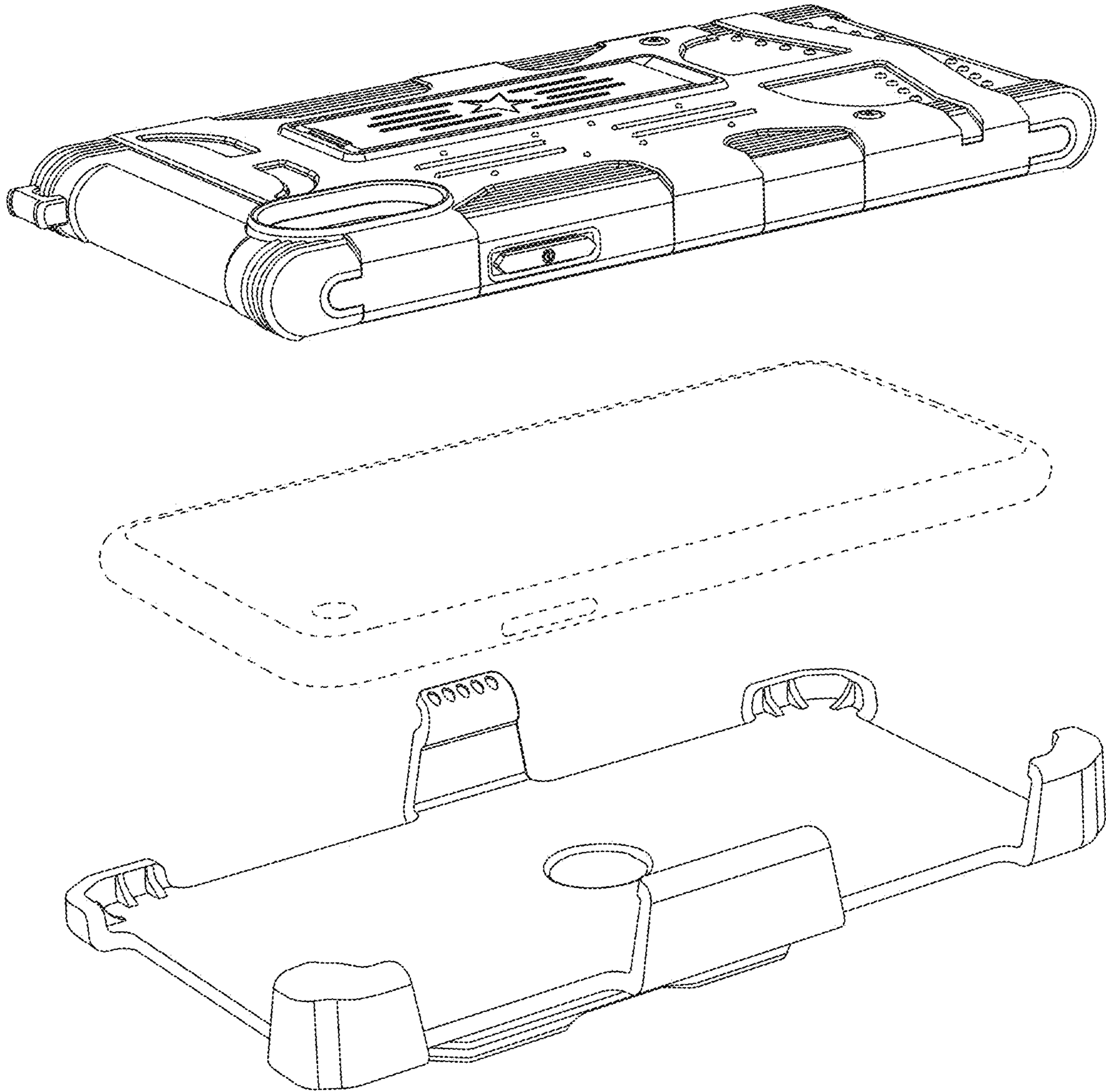


FIG. 8



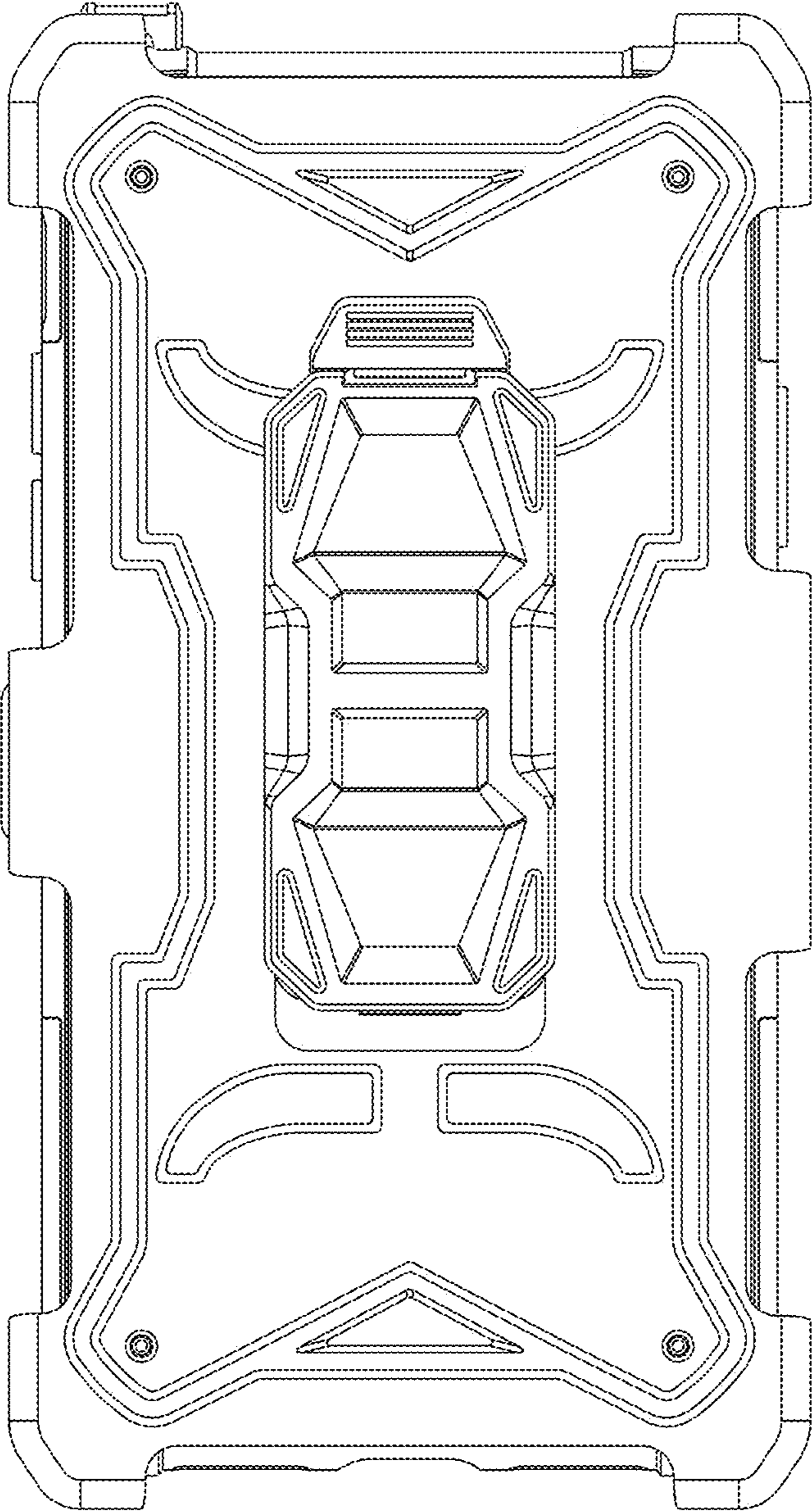


FIG. 9

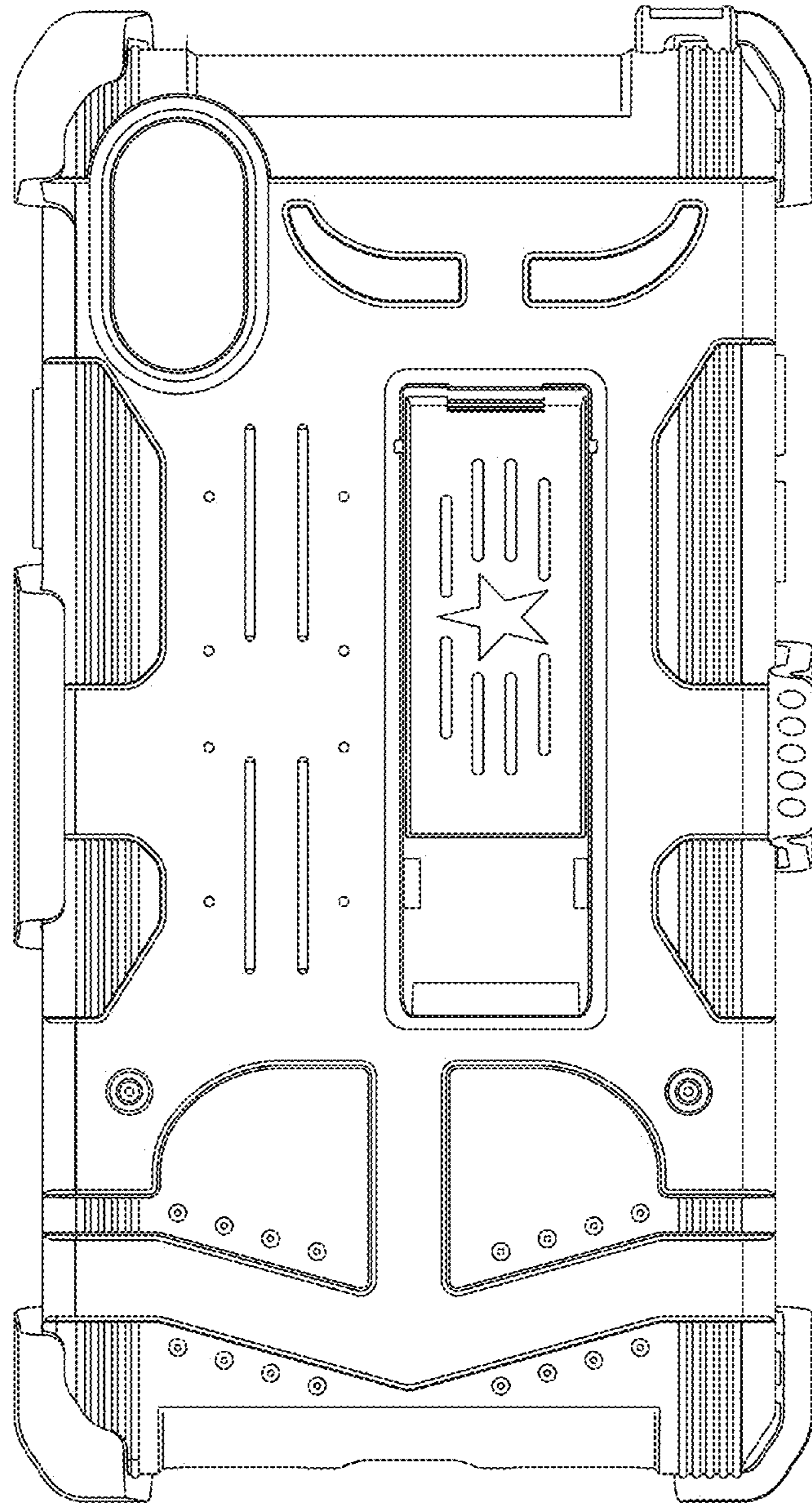


FIG. 10

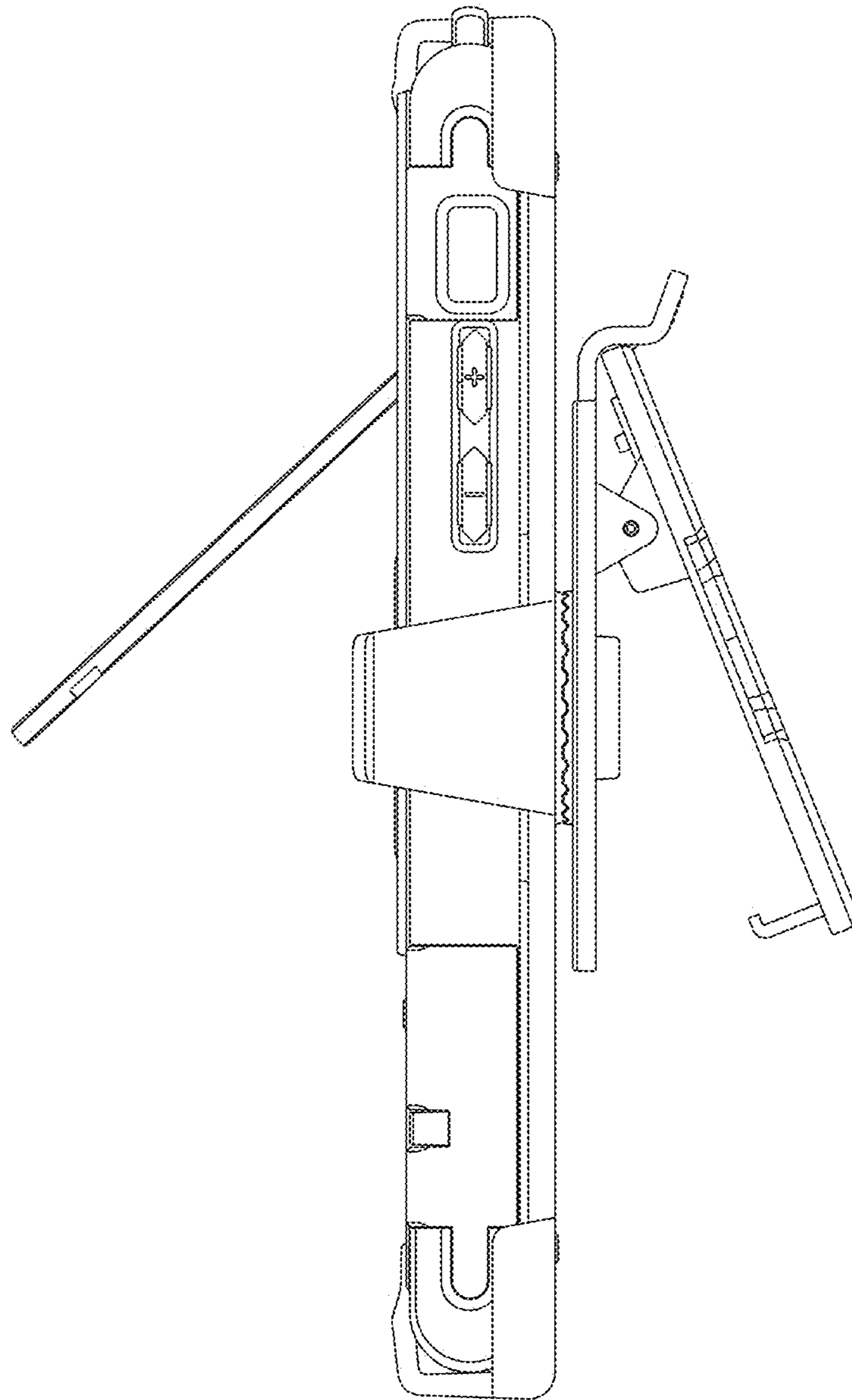


FIG. 11

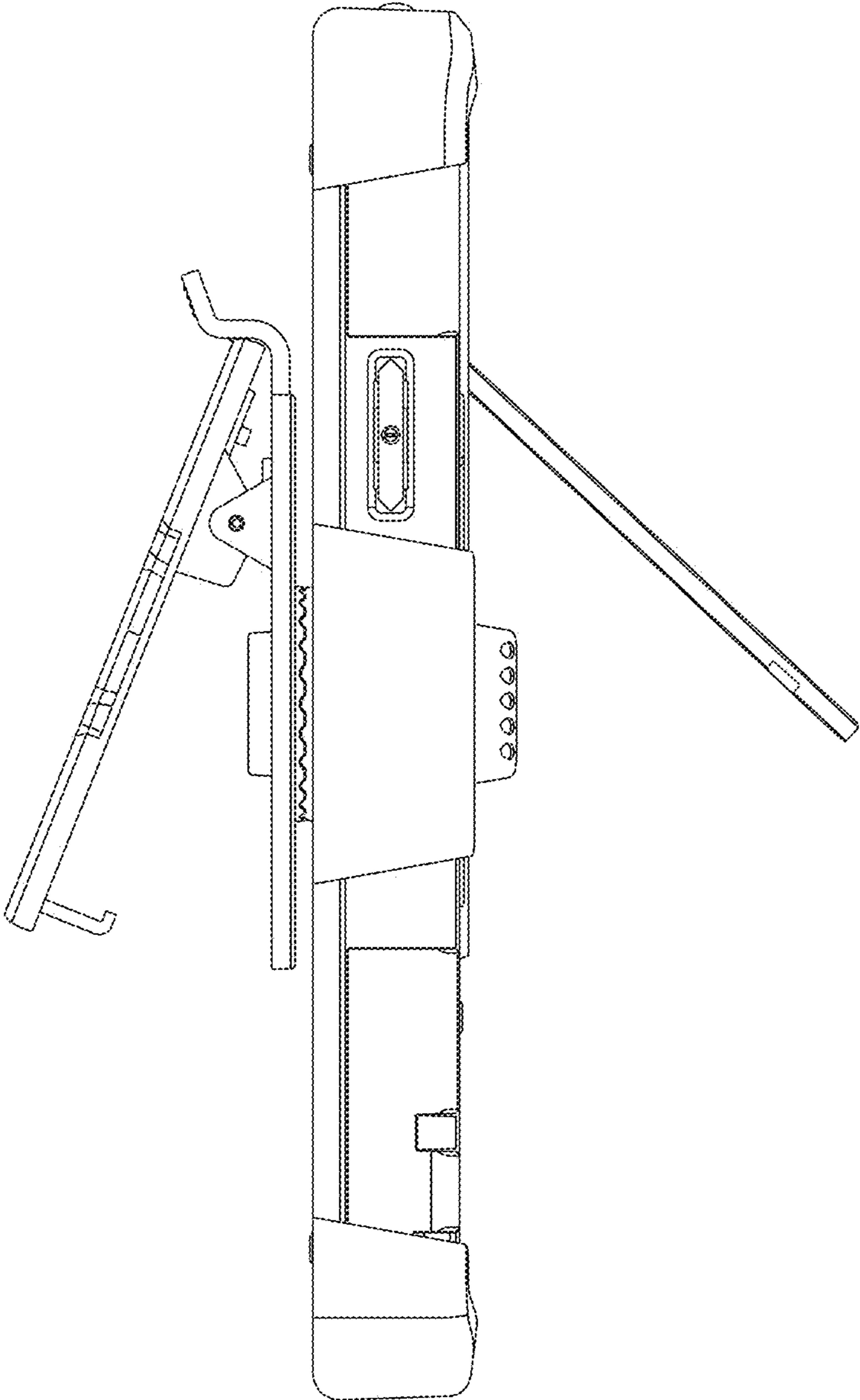


FIG. 12

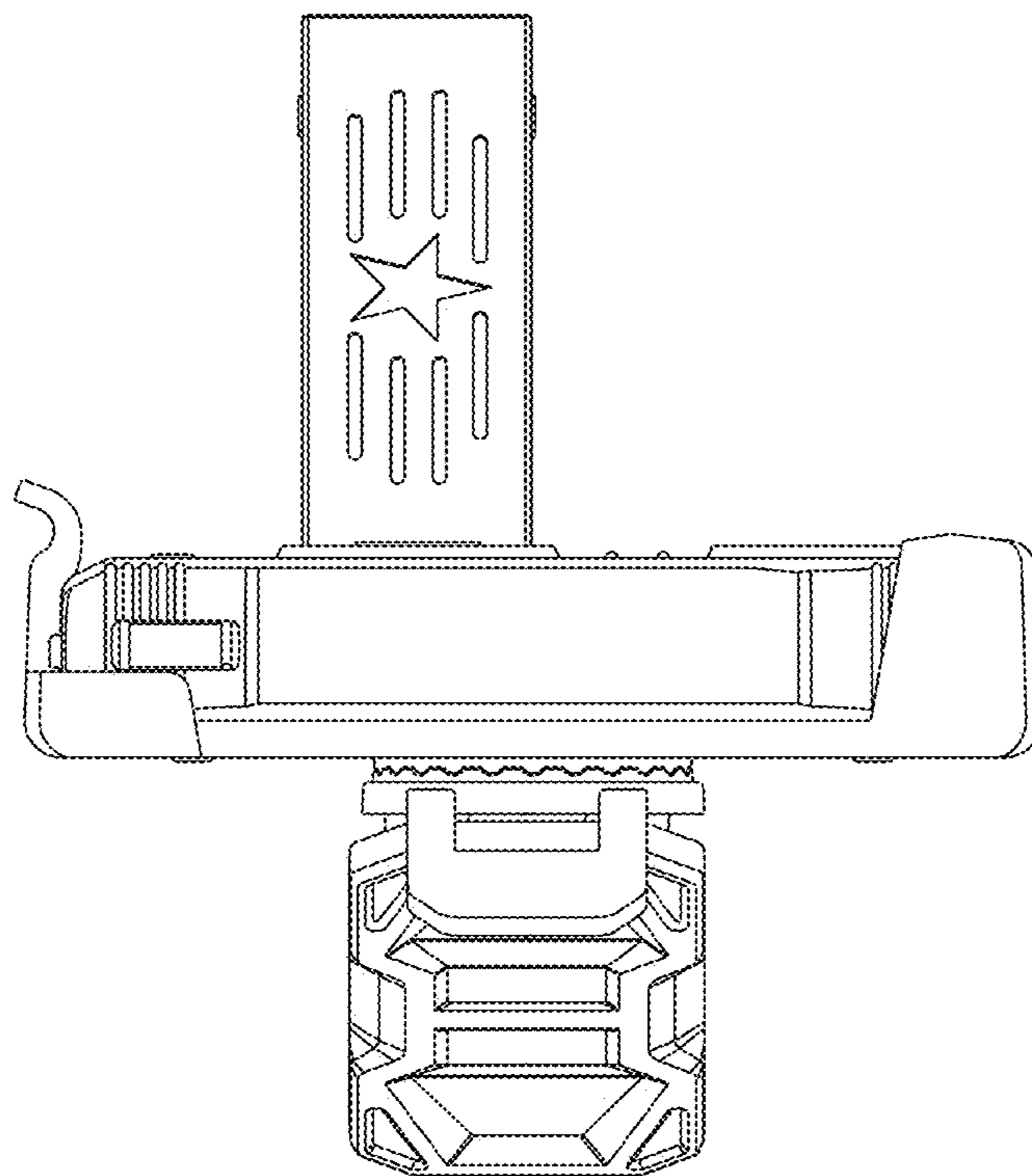


FIG. 13

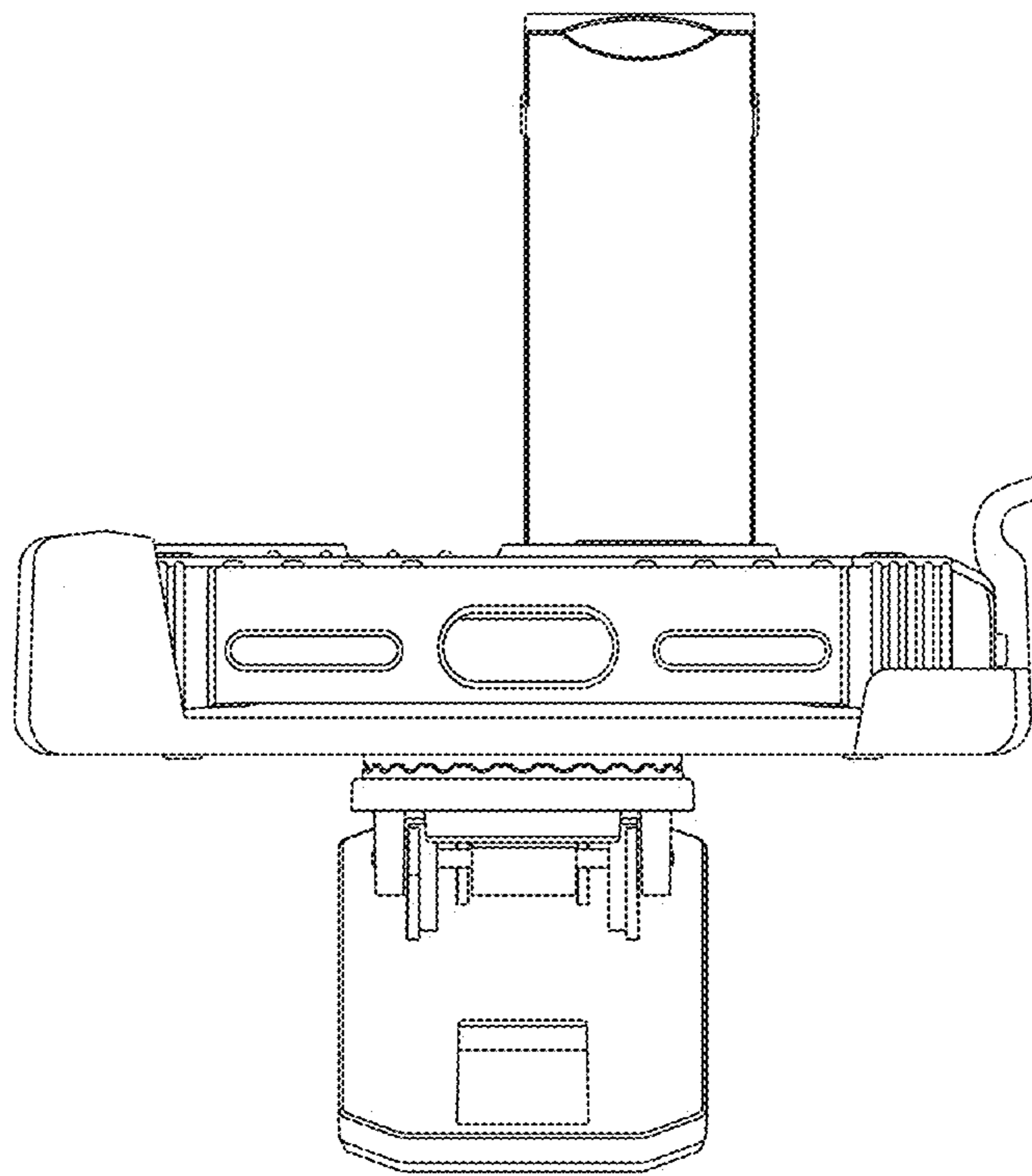


FIG. 14

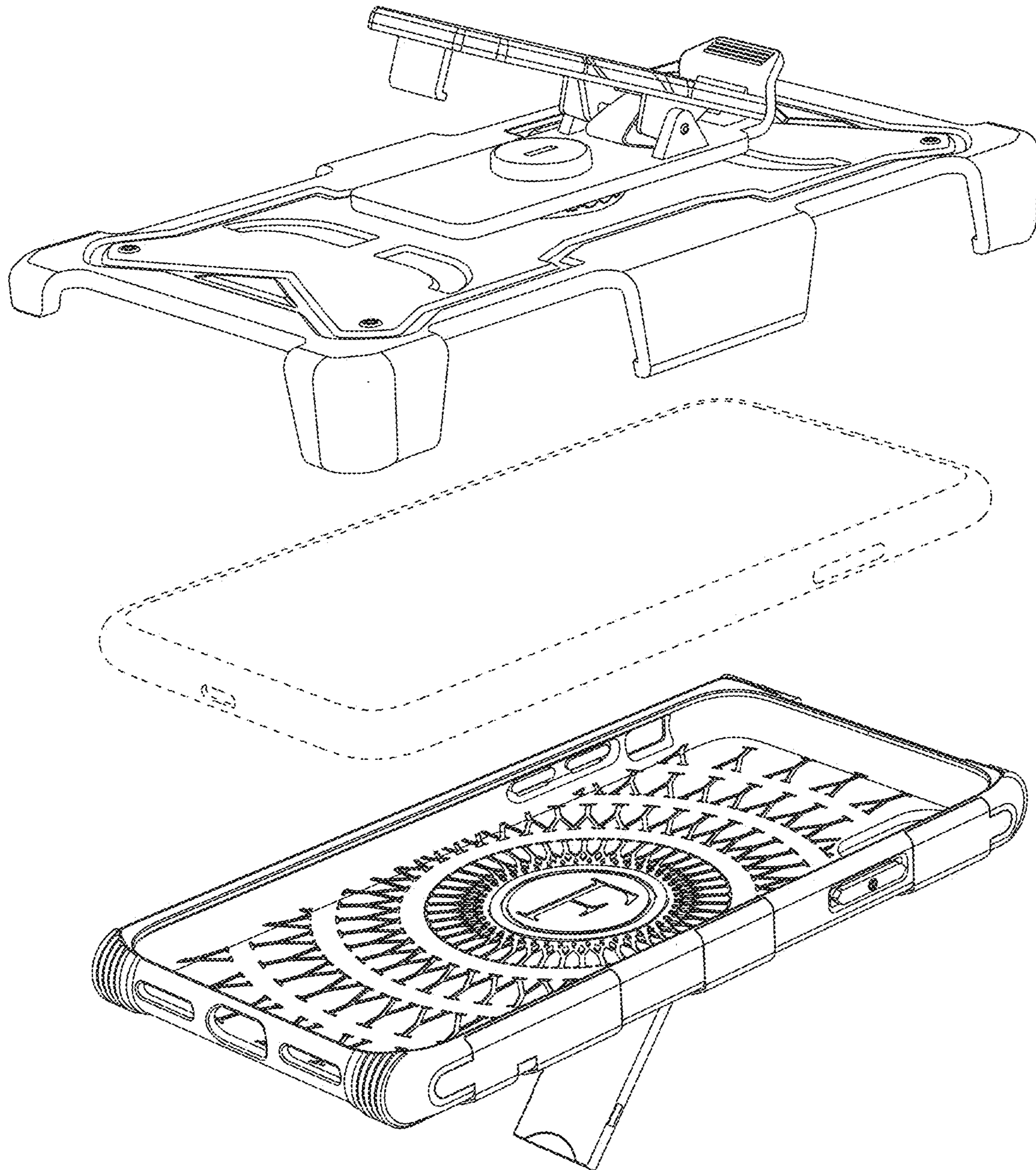


FIG. 15

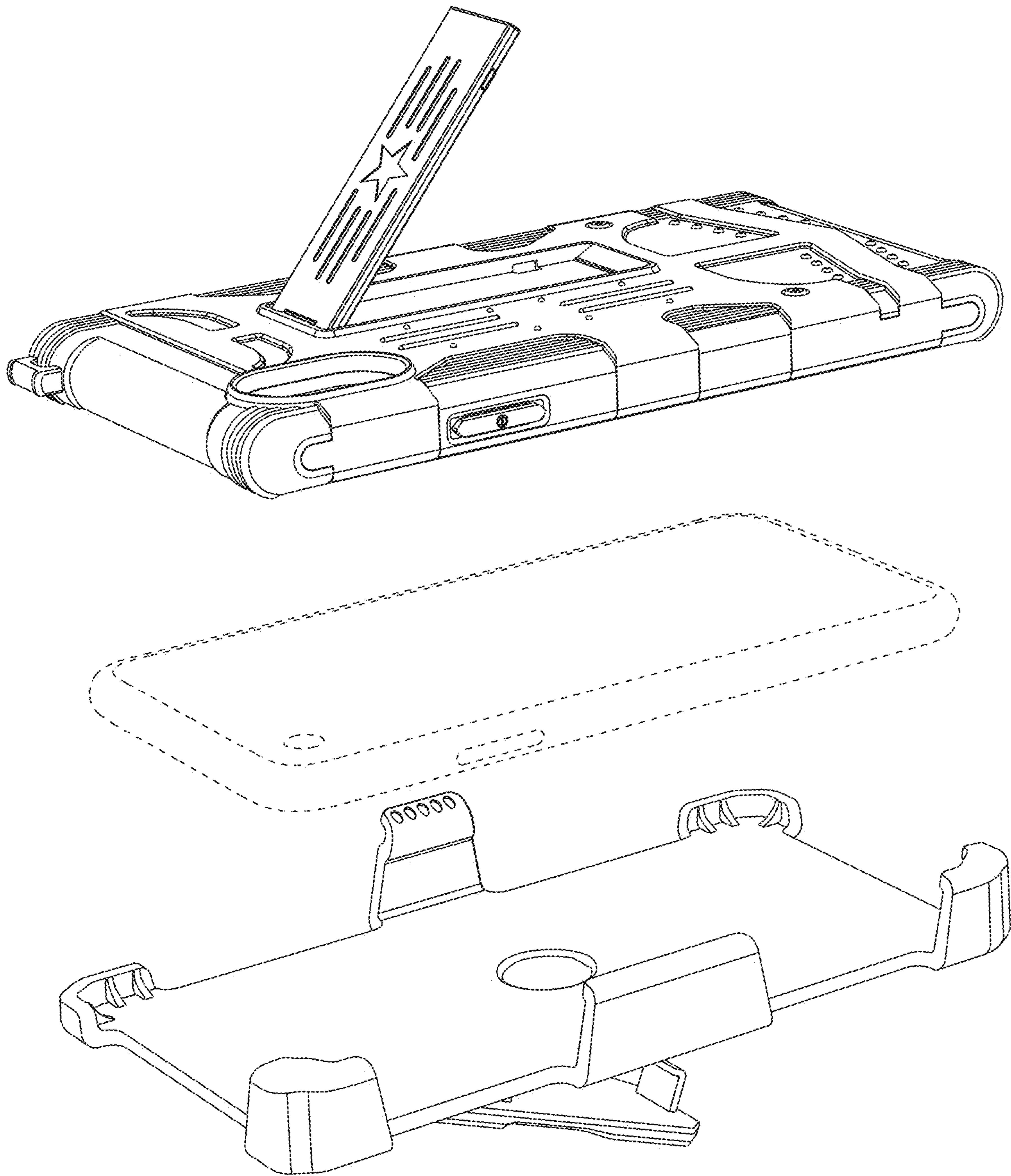


FIG. 16



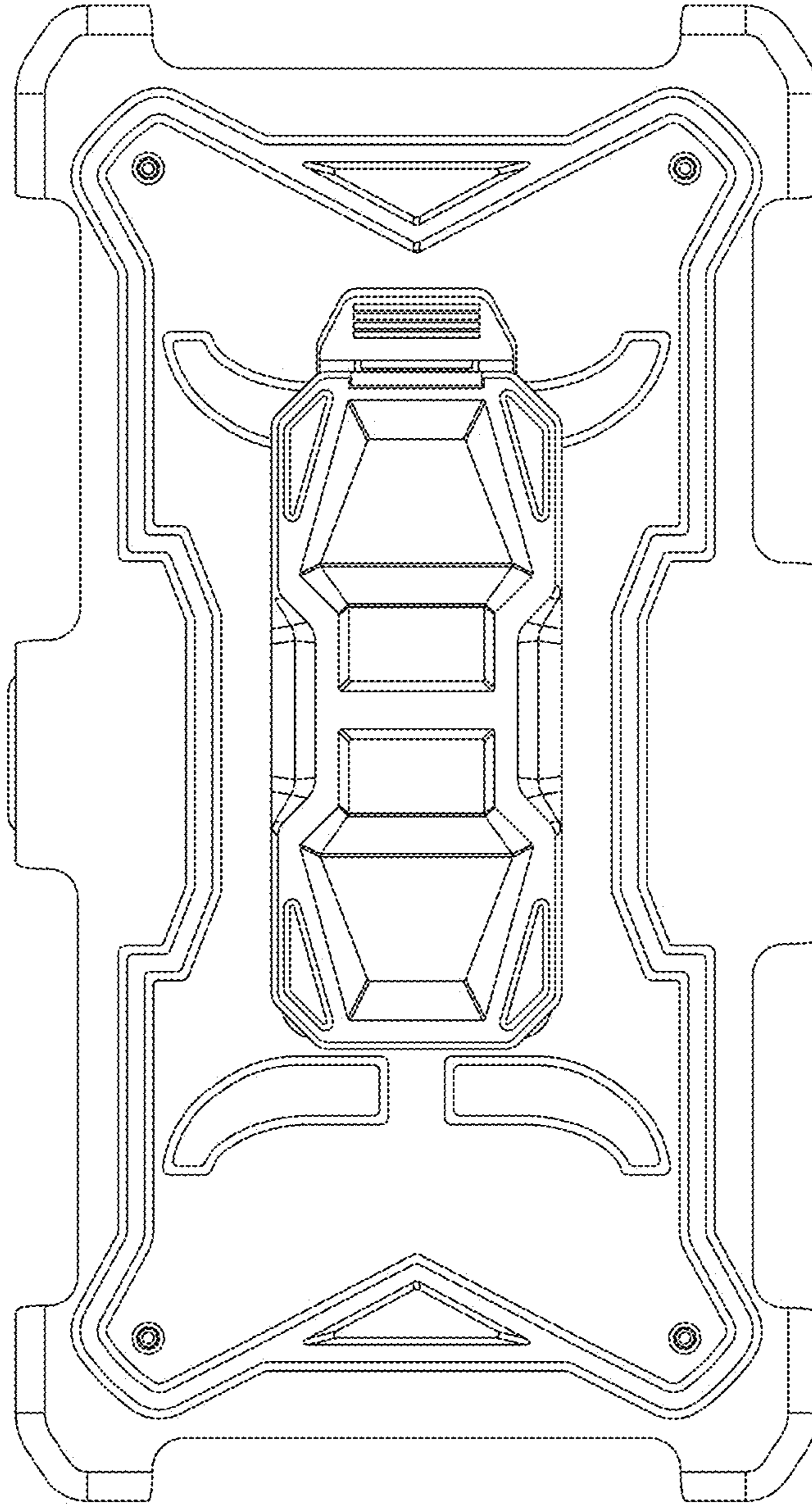


FIG. 17

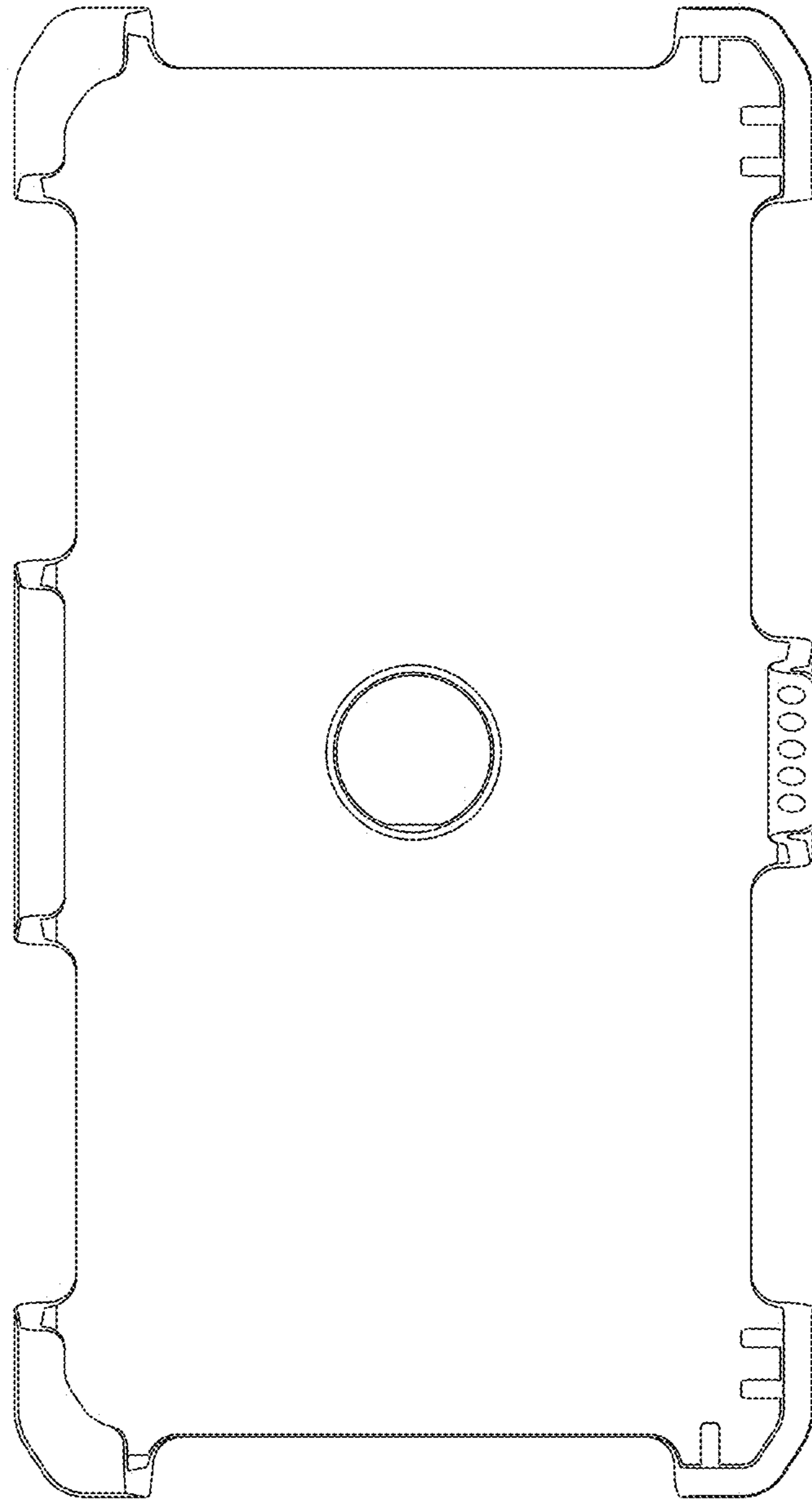


FIG. 18

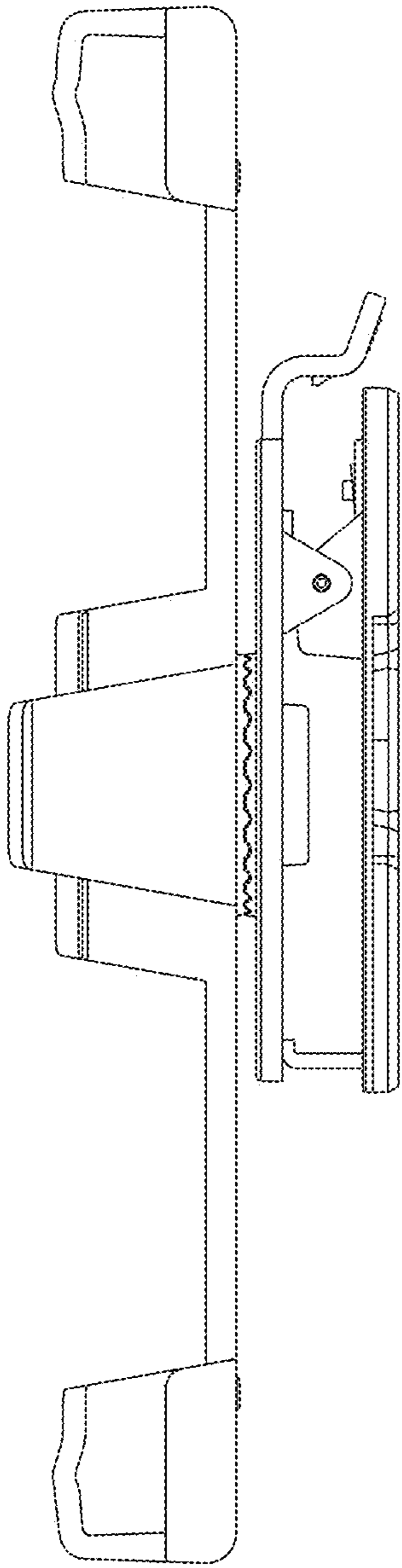


FIG. 19

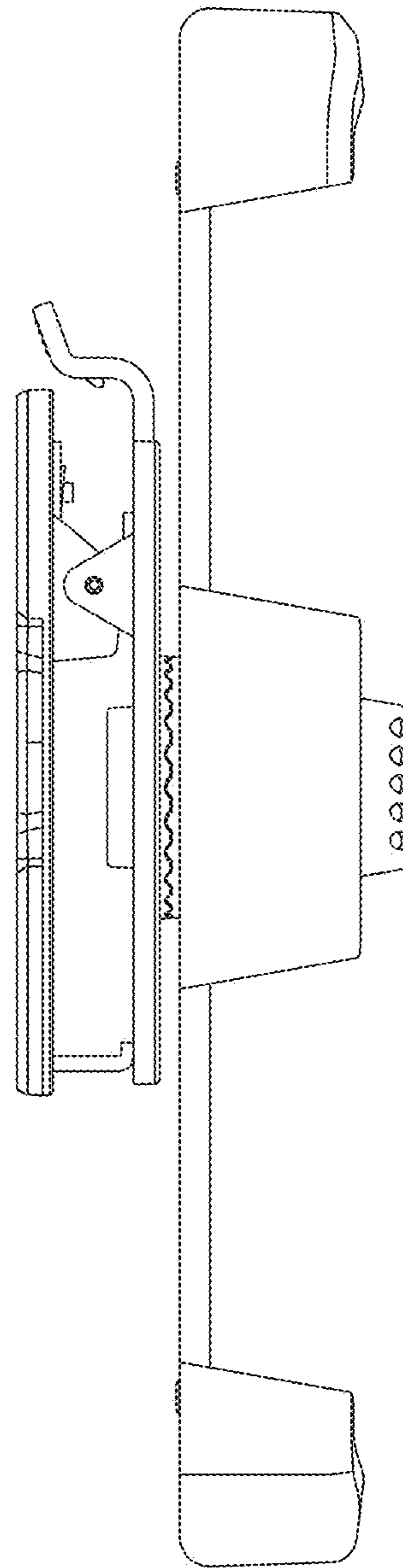
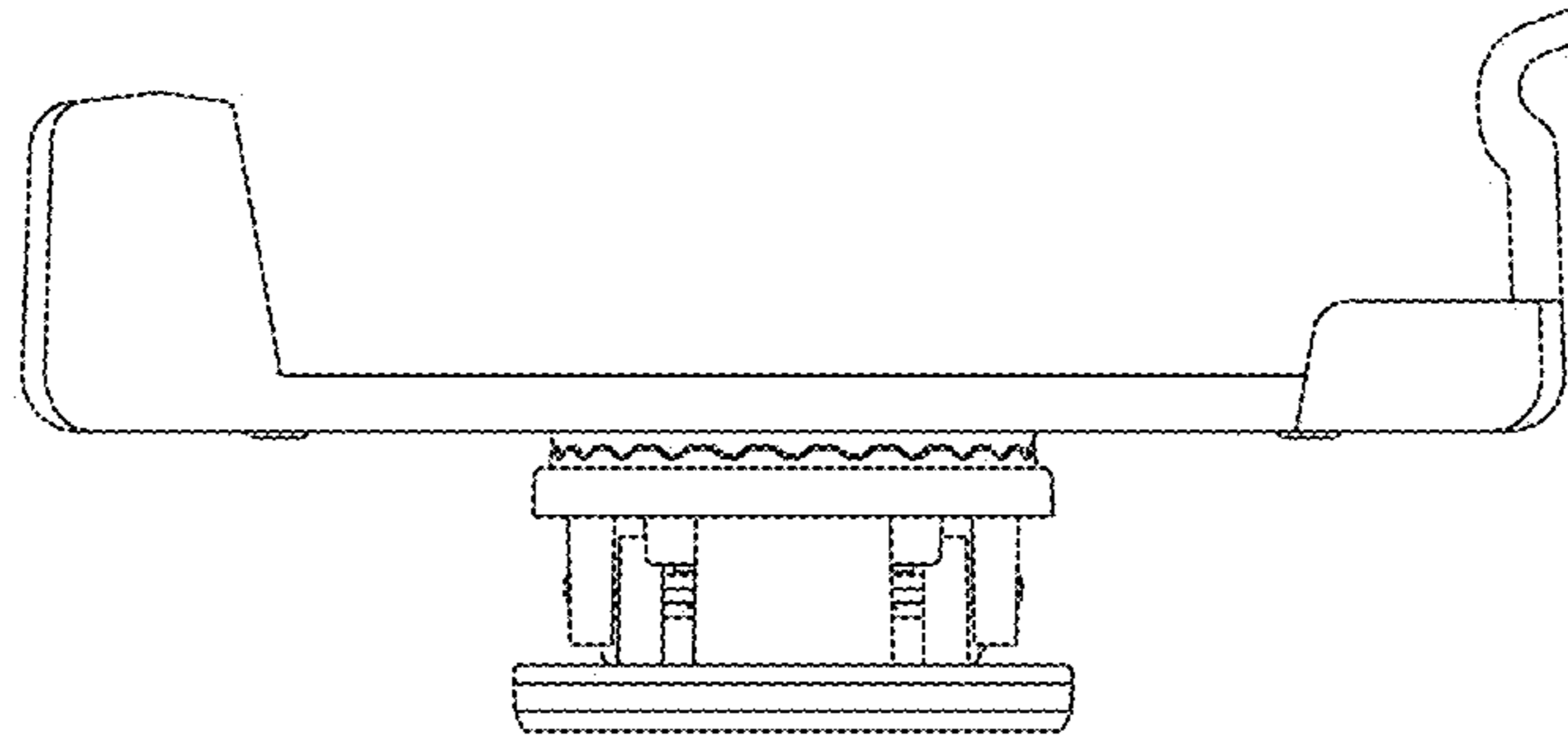
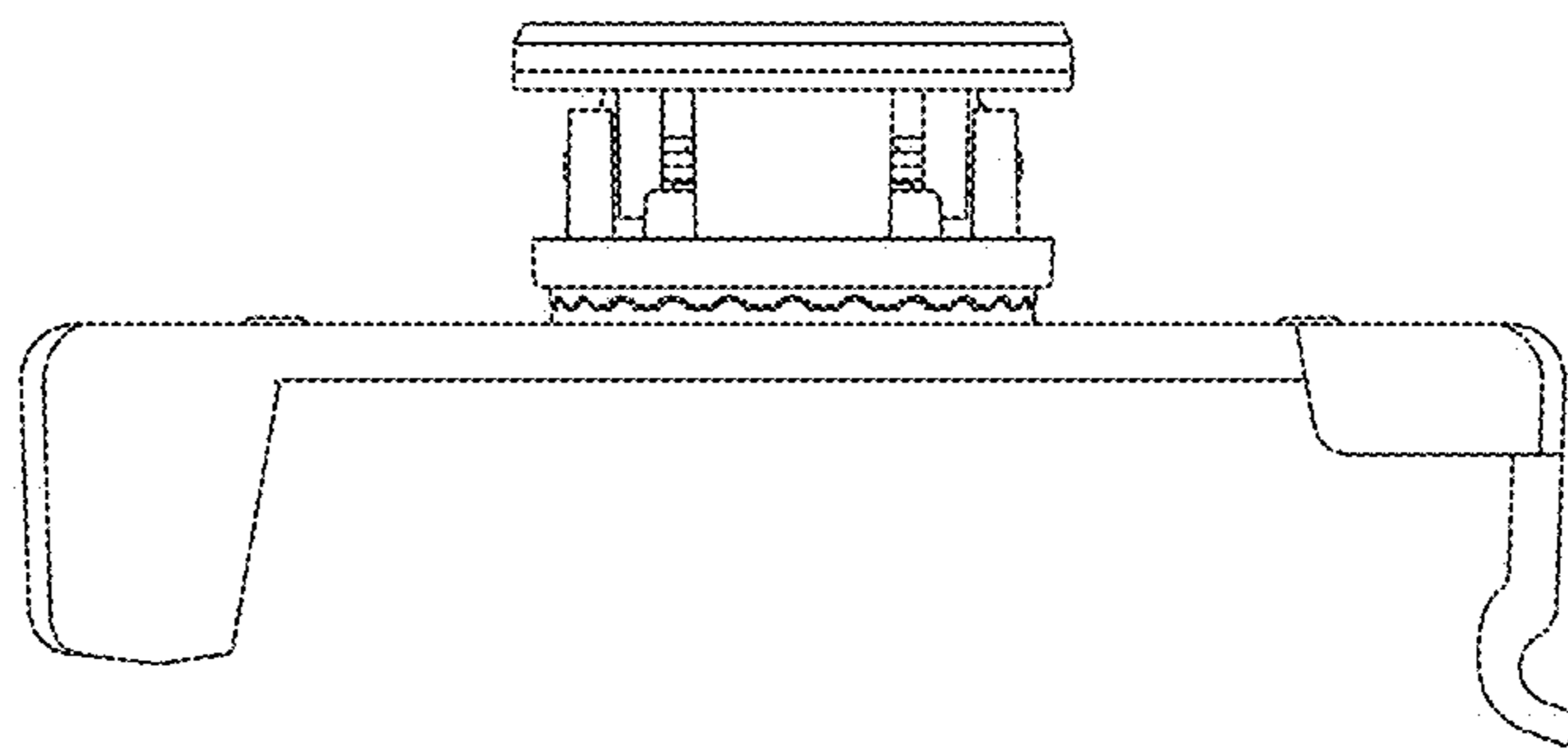


FIG. 20



**FIG. 21**



**FIG. 22**

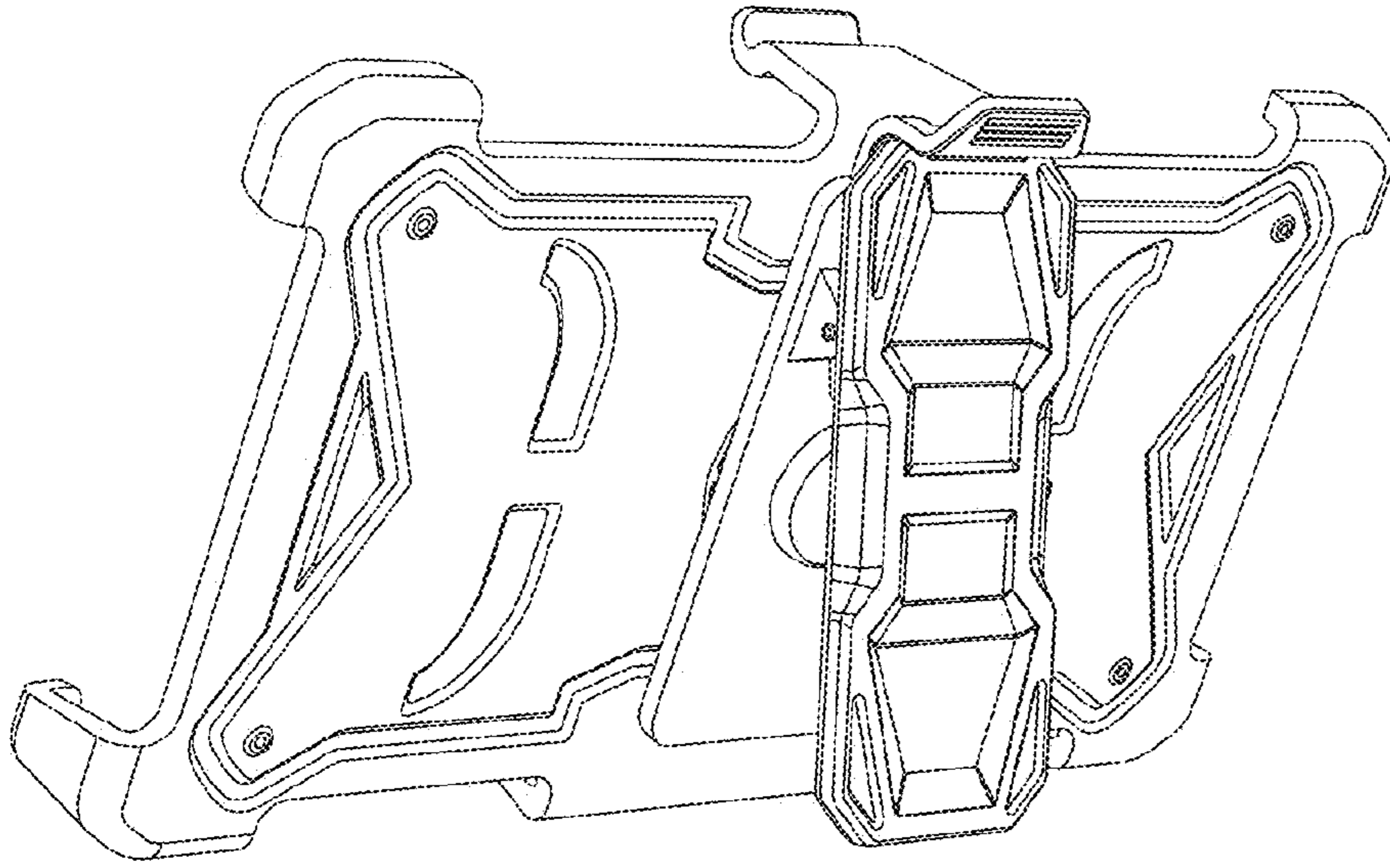


FIG. 23

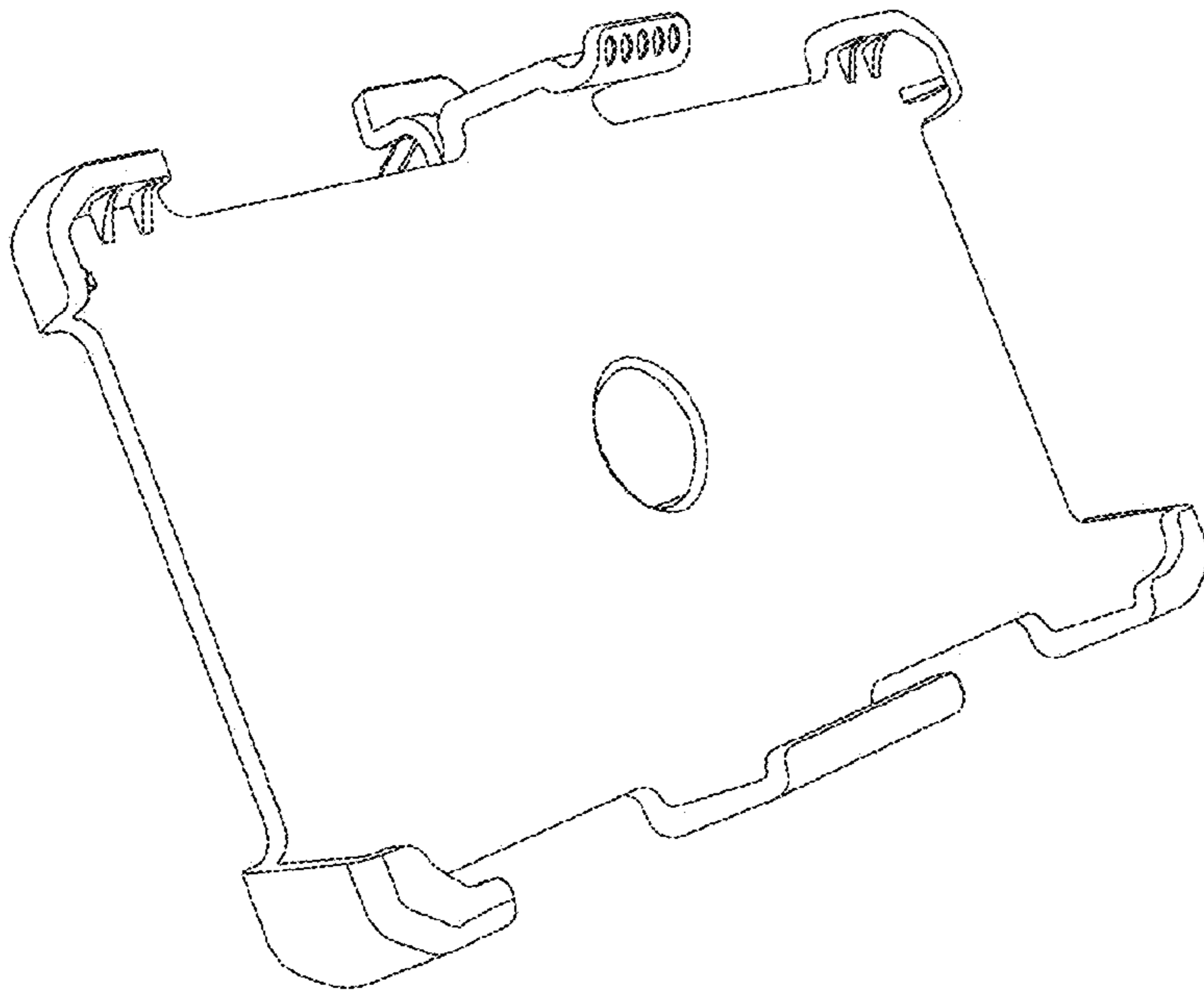


FIG. 24

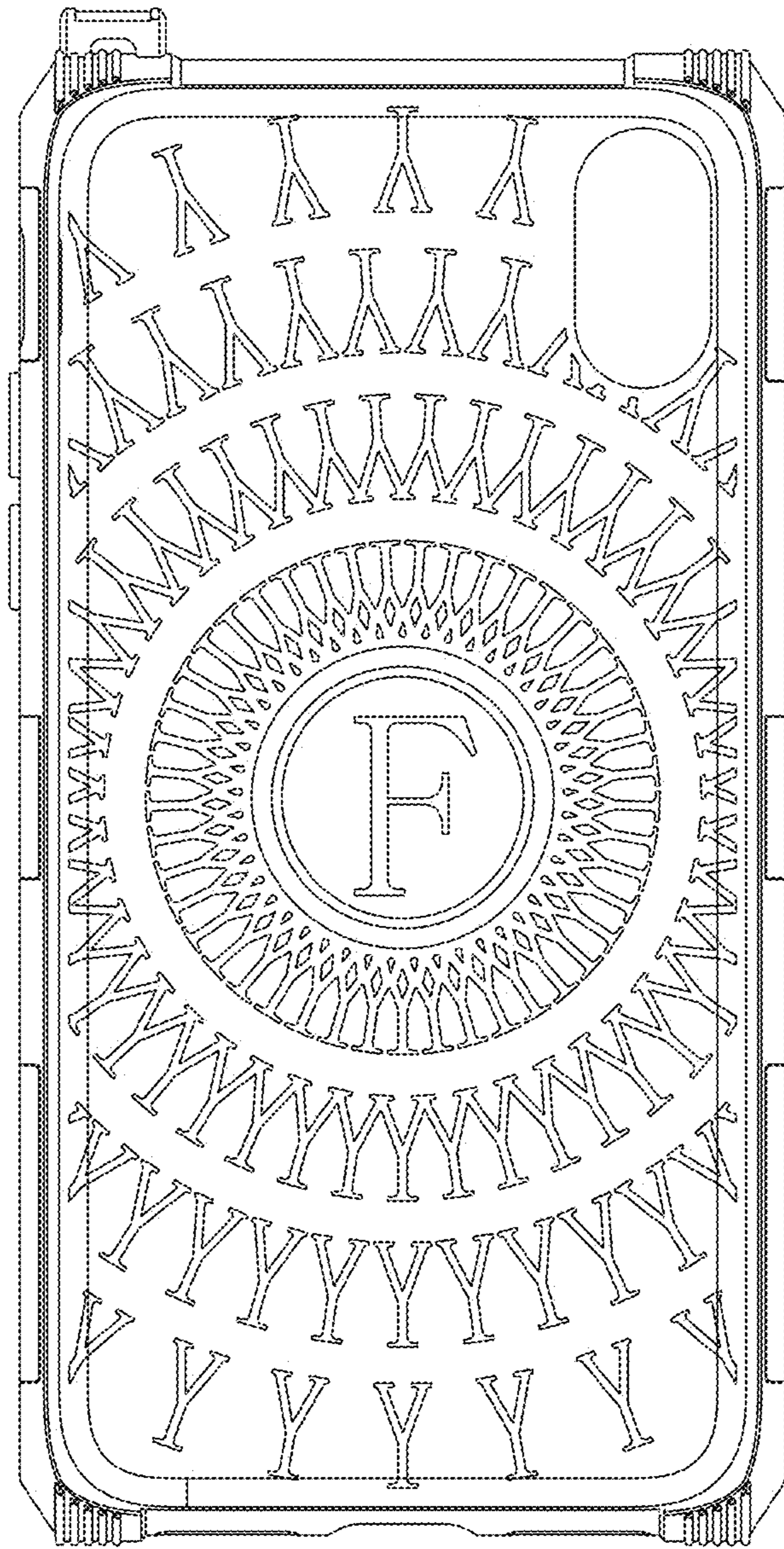


FIG. 25

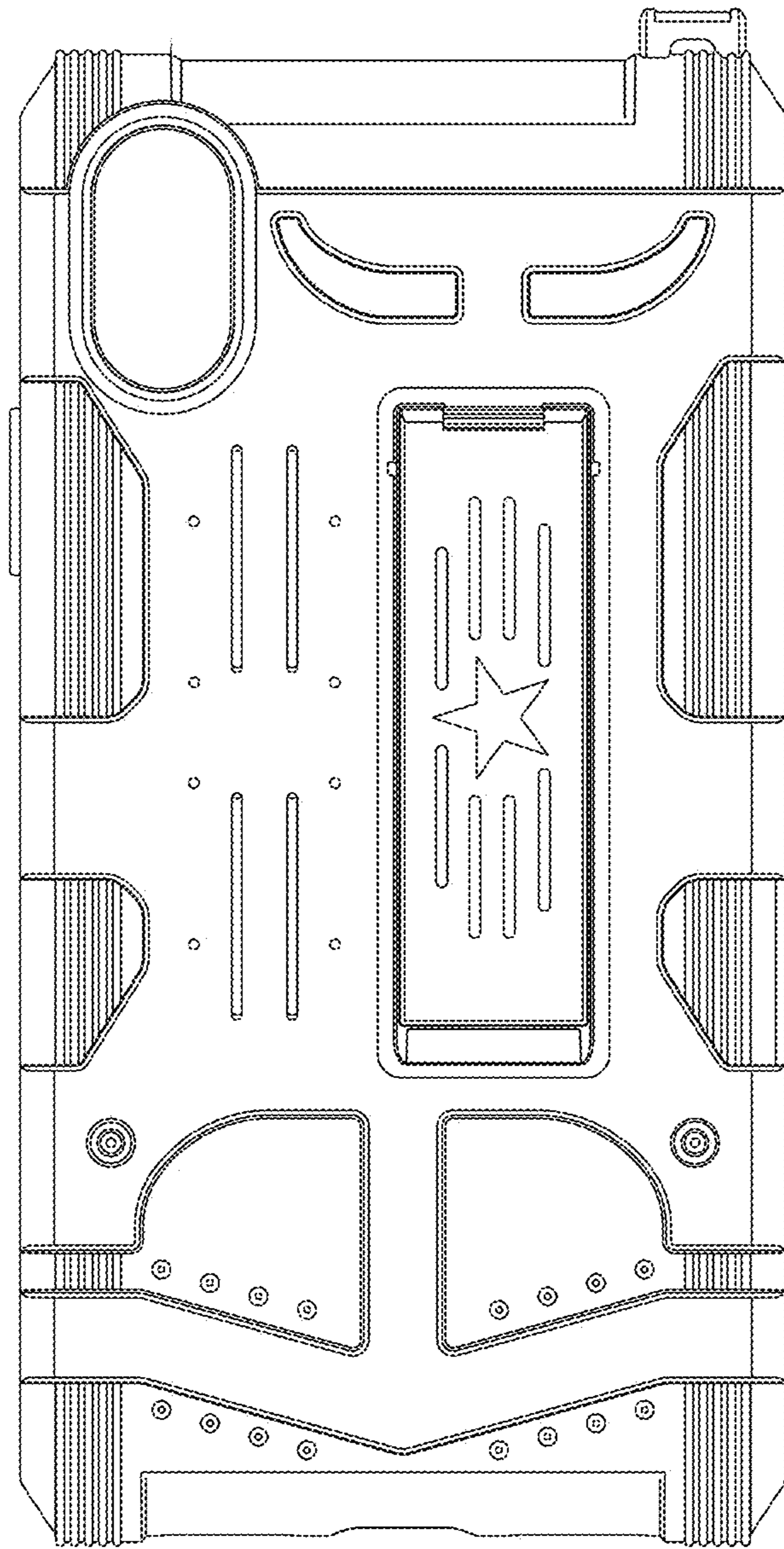


FIG. 26

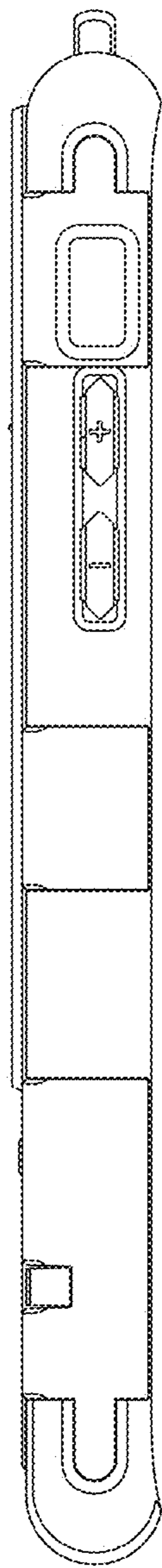


FIG. 27

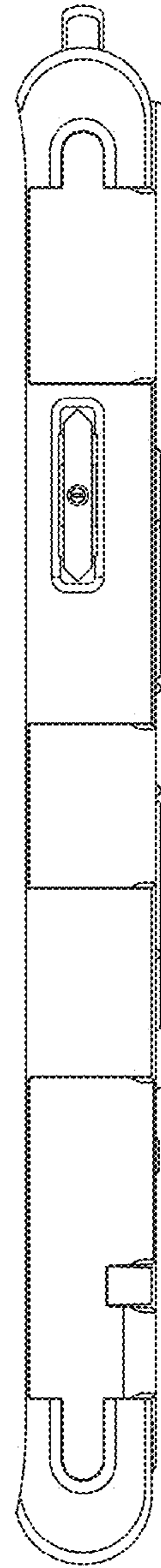


FIG. 28



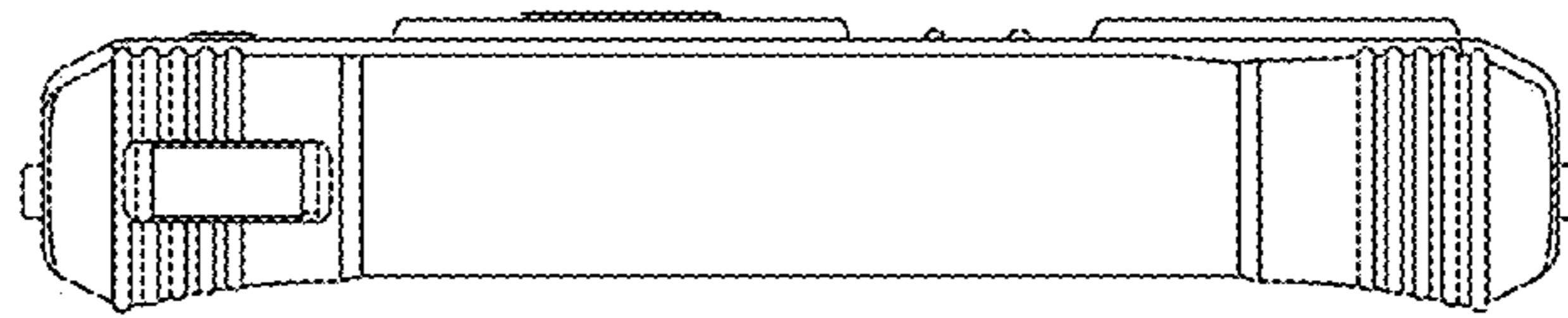


FIG. 29

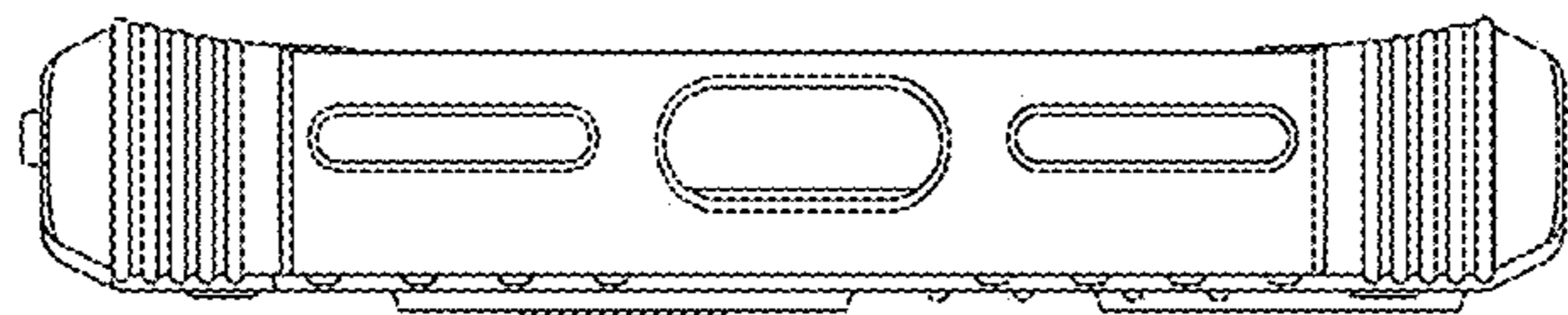


FIG. 30

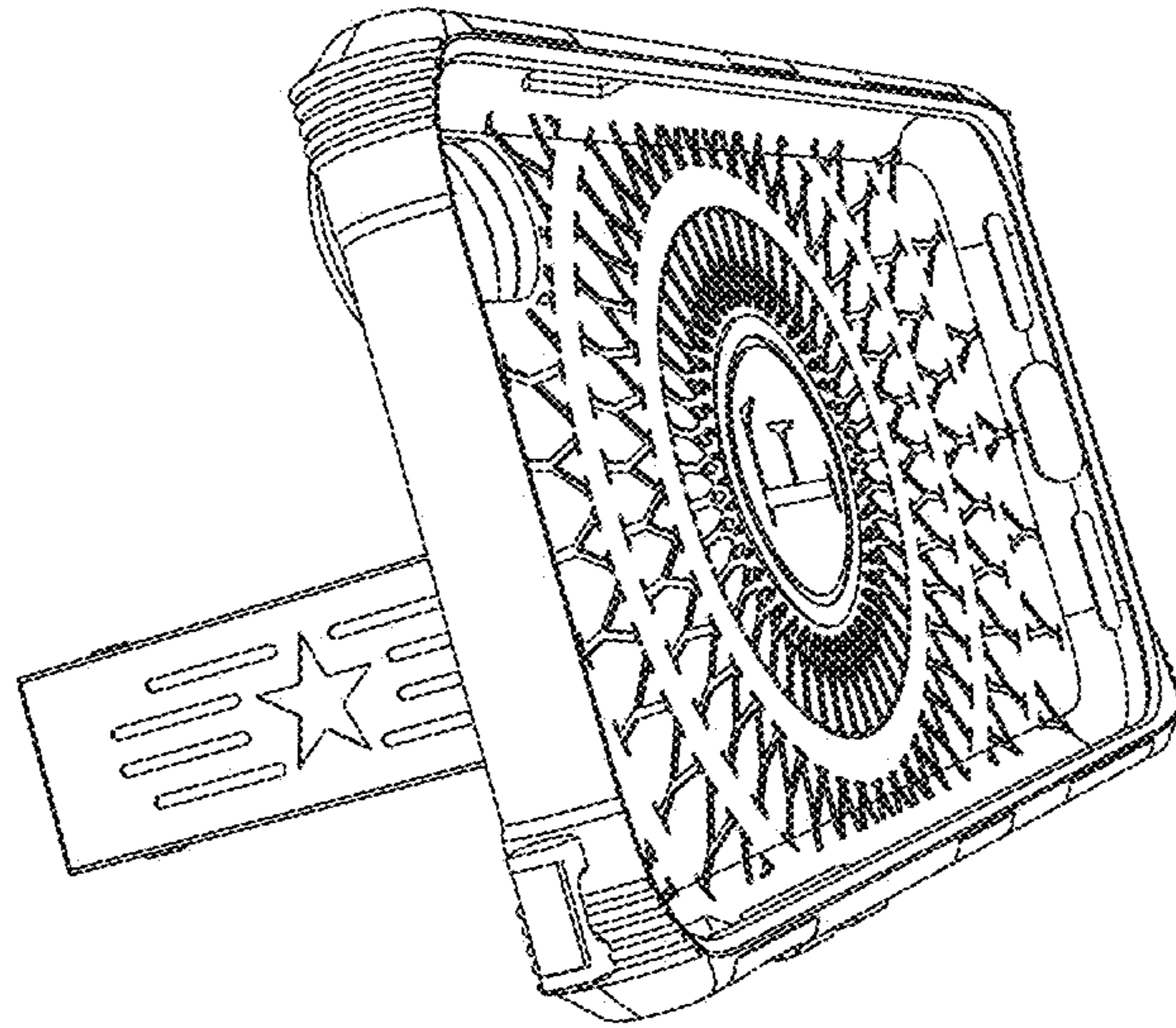


FIG. 31

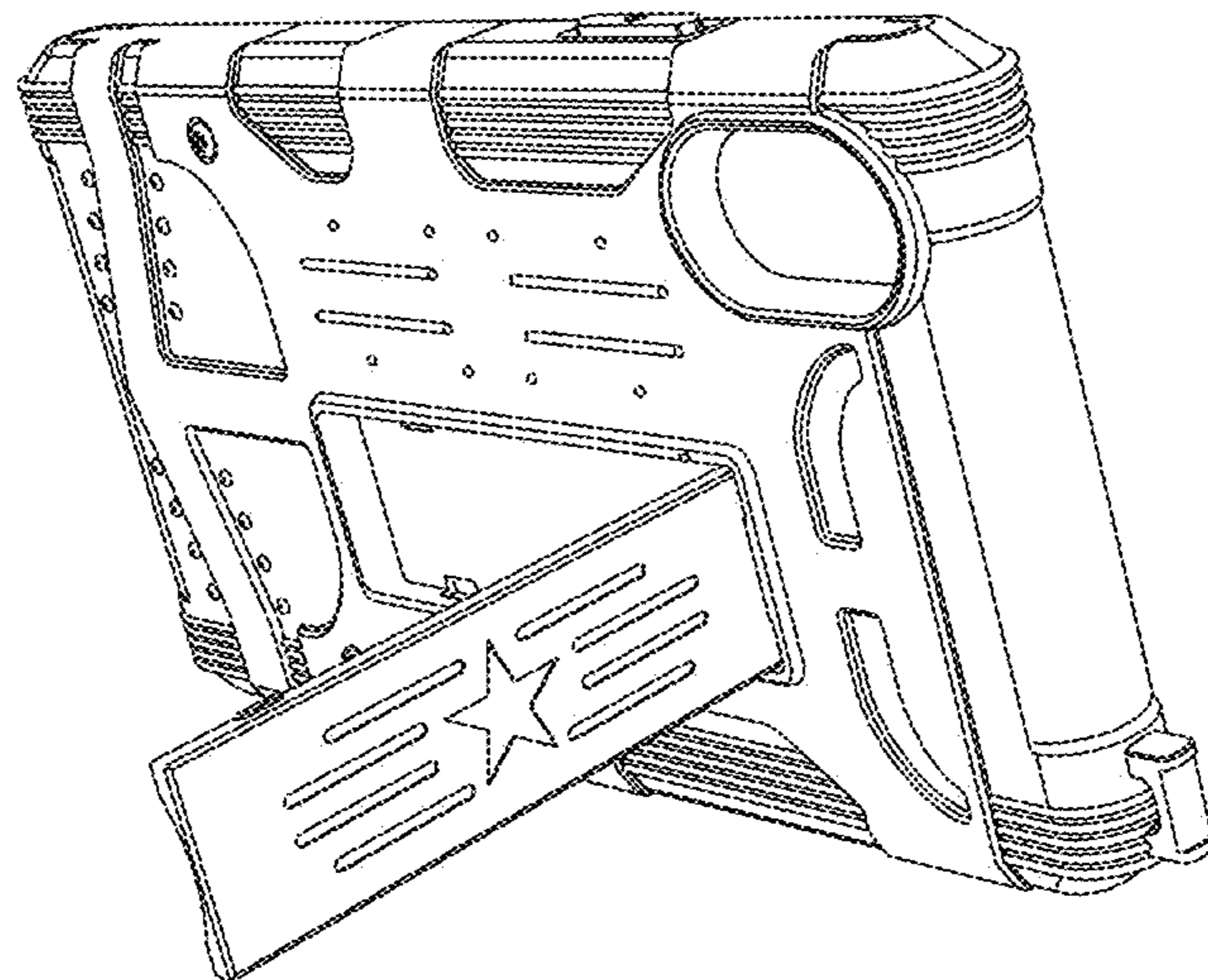


FIG. 32