



US00D879074S

(12) **United States Design Patent**  
**Komiya et al.**

(10) **Patent No.:** **US D879,074 S**  
(45) **Date of Patent:** **\*\* Mar. 24, 2020**

- (54) **EARPHONE**
- (71) Applicant: **SOFTBANK COMMERCE & SERVICE CORP.**, Tokyo (JP)
- (72) Inventors: **Yoshinori Komiya**, Tokyo (JP);  
**Kazuyuki Morita**, Tokyo (JP);  
**Masashi Seki**, Tokyo (JP); **Koshi Odaira**, Tokyo (JP)
- (\*\*) Term: **15 Years**
- (21) Appl. No.: **35/505,695**
- (22) Filed: **Mar. 15, 2018**
- (80) **Hague Agreement Data**  
Int. Filing Date: **Mar. 15, 2018**  
Int. Reg. No.: **DM/100415**  
Int. Reg. Date: **Mar. 15, 2018**  
Int. Reg. Pub. Date: **Sep. 21, 2018**
- (51) **LOC (12) Cl.** ..... **14-01**
- (52) **U.S. Cl.**  
USPC ..... **D14/223**
- (58) **Field of Classification Search**  
USPC ... D14/204, 205, 206, 224, 225, 249, 138 R,  
D14/188, 172, 203.1, 496, 223; D29/112;  
D24/106, 173, 174  
CPC ..... H04R 25/02; H04R 25/02; H04R 25/00;  
H04R 1/10; H04R 1/10016; H04R 1/105;  
H04R 1/1083; H04R 1/02; H04R 1/1041;  
H04R 1/28; H04R 2420/07; H04R  
2430/00; H04R 2430/01; H04R 5/033  
See application file for complete search history.

D800,097 S	10/2017	Chen	
D806,686 S	1/2018	Ott et al.	
D806,879 S *	1/2018	Horbinski	D24/174
D812,042 S *	3/2018	Xiao	D14/223
D813,205 S	3/2018	Palmborg et al.	
D813,848 S	3/2018	Palmborg	
D817,309 S *	5/2018	Czaniecki	D14/223
D832,817 S *	11/2018	Park	D14/205
D841,626 S *	2/2019	Tang	D14/223
D841,627 S *	2/2019	Wen	D14/223
D845,932 S *	4/2019	Lu	D14/223
D846,532 S *	4/2019	Xiao	D14/223
D849,714 S *	5/2019	Shin	D14/205

(Continued)

**FOREIGN PATENT DOCUMENTS**

JP	D1567613 S	1/2017
JP	D1582706 S	7/2017

(Continued)

**OTHER PUBLICATIONS**

GLIDiC Sound Air TW-5000 30秒 Ver, Nov. 16, 2017, [online], [site visited Jun. 14, 2019]. Retrieved from url:https://www.youtube.com/watch?v=n2FCUGrmRNI (Year: 2019).\*

*Primary Examiner* — Jeffrey D Asch  
*Assistant Examiner* — Tracey J Bell

(57) **CLAIM**

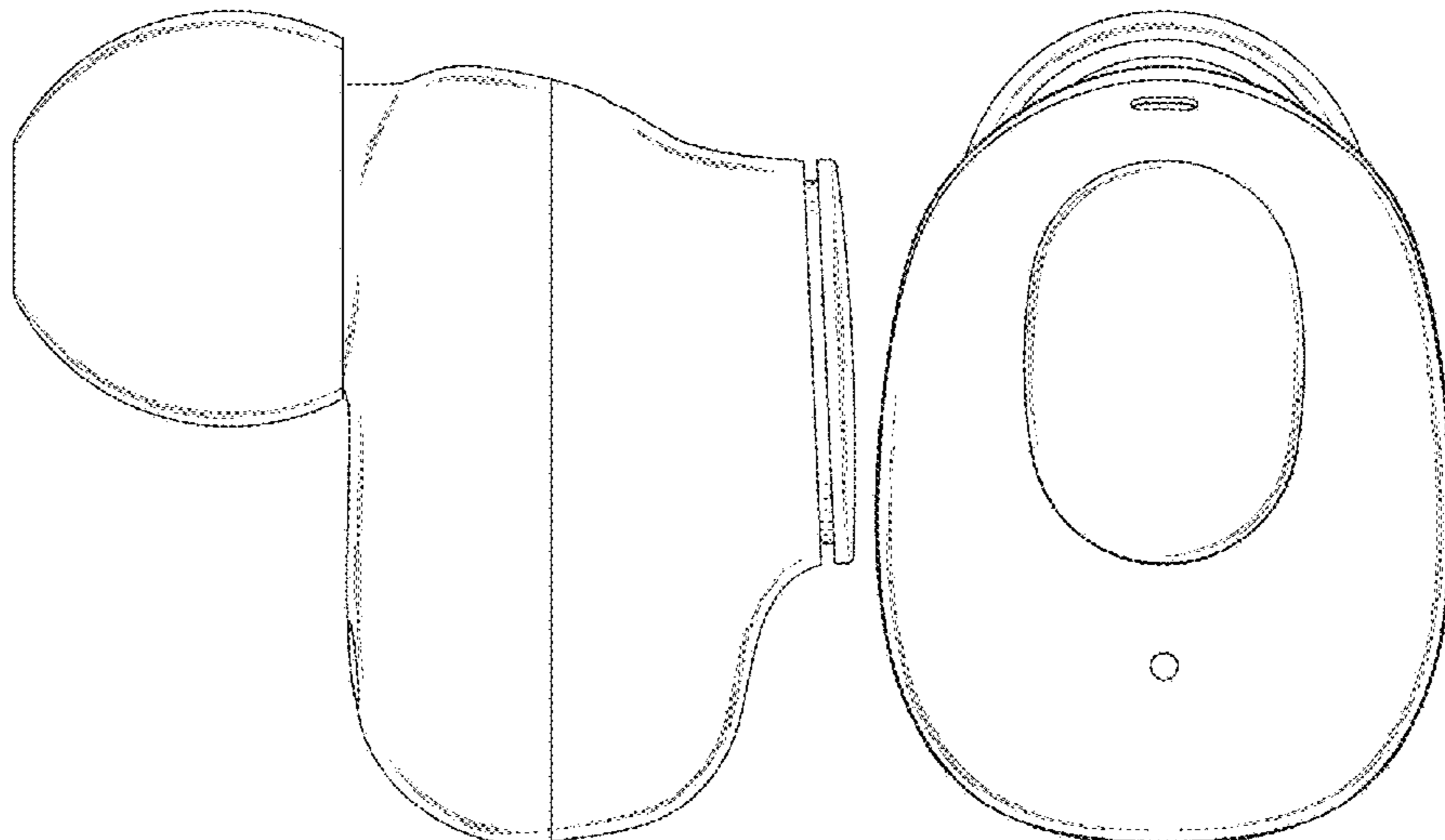
The ornamental design for an earphone, as shown and described.

**DESCRIPTION**

- 1. Earphone
- 1.1 : Perspective
- 1.2 : Front
- 1.3 : Back
- 1.4 : Top
- 1.5 : Bottom
- 1.6 : Right
- 1.7 : Left

**1 Claim, 7 Drawing Sheets**

- (56) **References Cited**  
**U.S. PATENT DOCUMENTS**  
D574,361 S 8/2008 Sasaki  
D603,380 S 11/2009 Hutchieson  
D752,020 S 3/2016 Peterseén  
D777,710 S 1/2017 Palmborg et al.



(56)

**References Cited**

U.S. PATENT DOCUMENTS

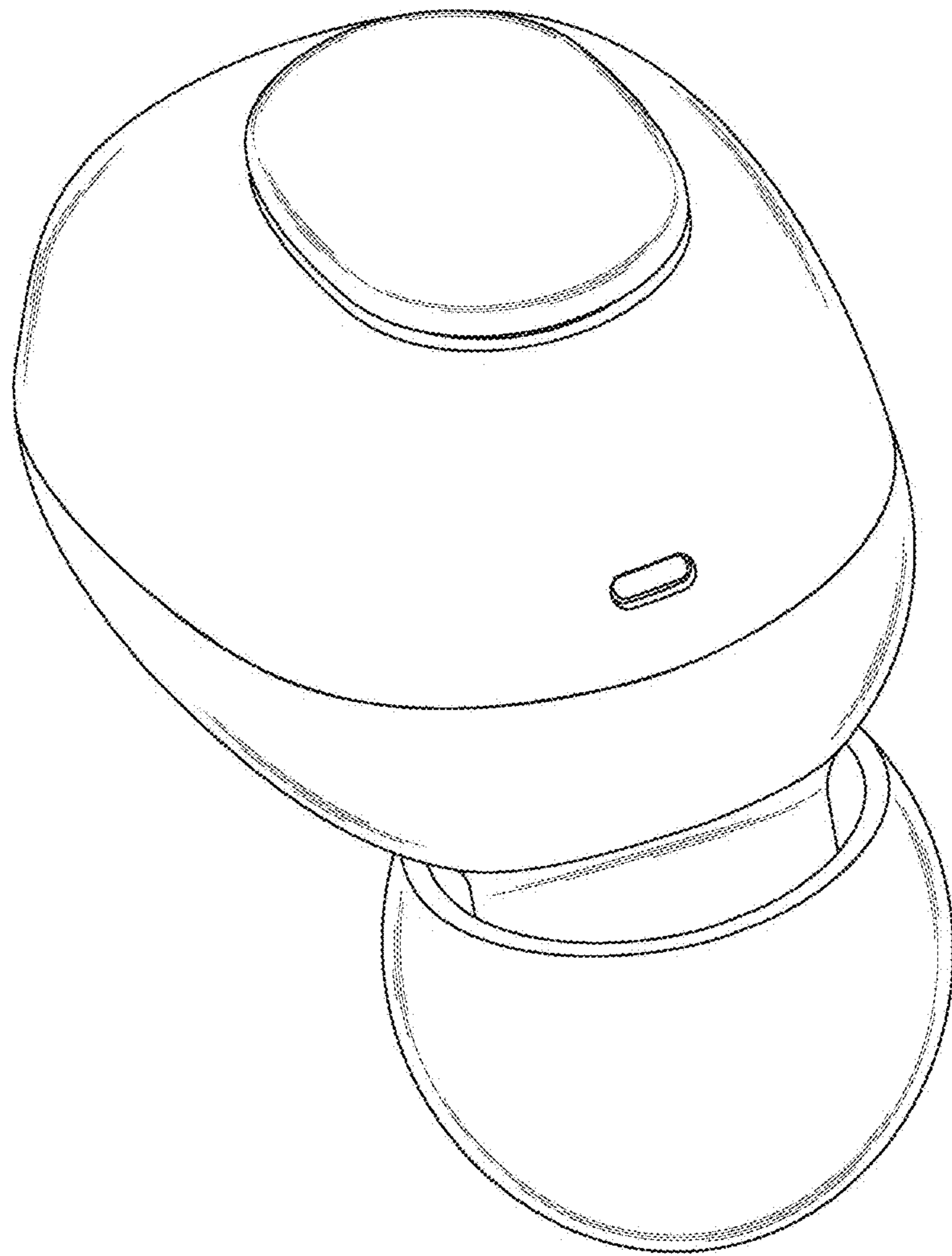
D851,072 S \* 6/2019 McNamara ..... D14/223  
2017/0180844 A1\* 6/2017 Nanni ..... H04W 76/10  
2019/0020942 A1\* 1/2019 Tang ..... H04R 1/1041  
2019/0045291 A1\* 2/2019 Kofman ..... H04R 1/1041

FOREIGN PATENT DOCUMENTS

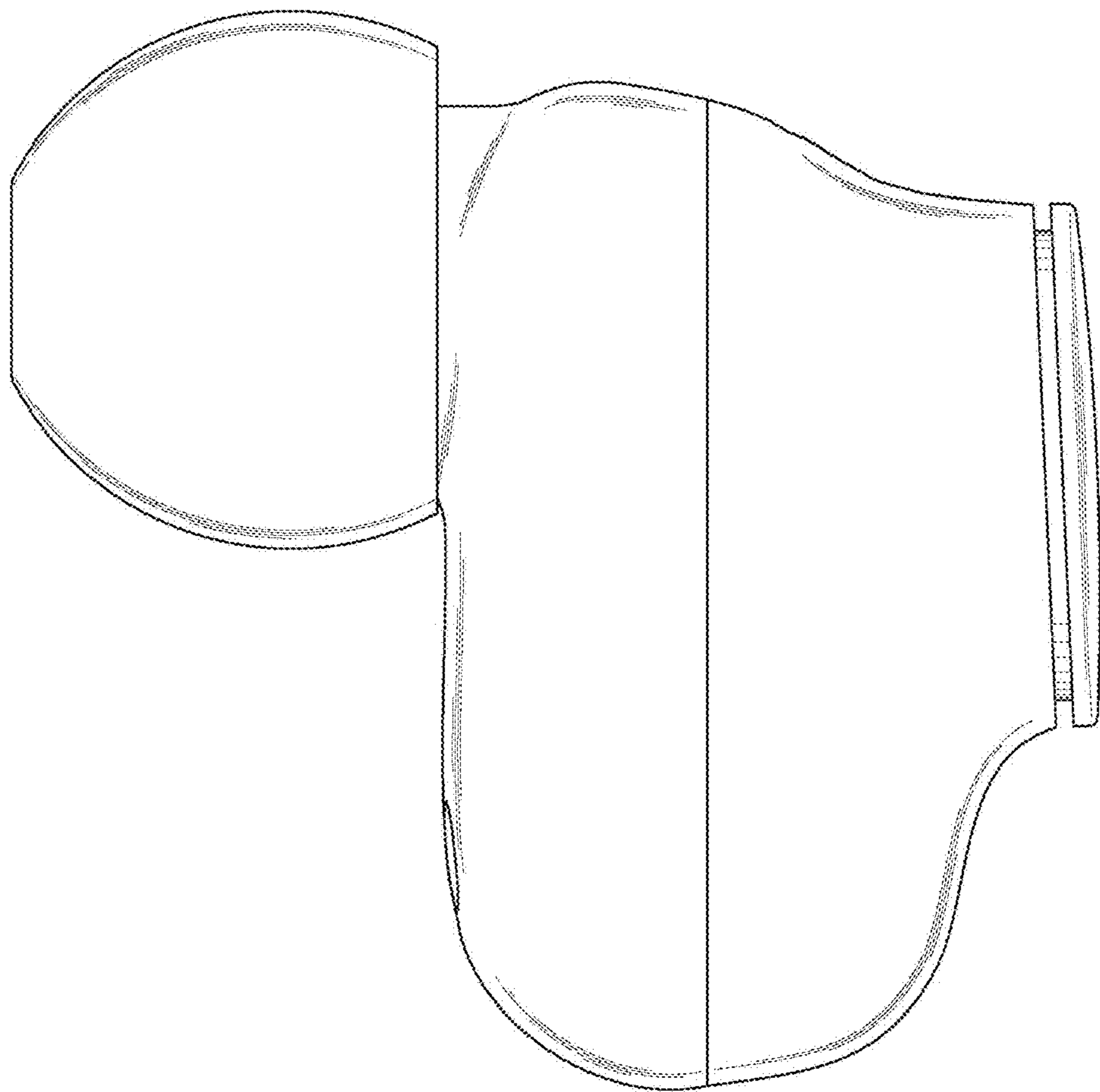
JP D1589968 S 11/2017  
JP D1590945 S 11/2017  
JP D1591252 S 11/2017  
JP D1593746 S 12/2017  
JP D1597290 S 2/2018  
JP D1599187 S 3/2018

\* cited by examiner

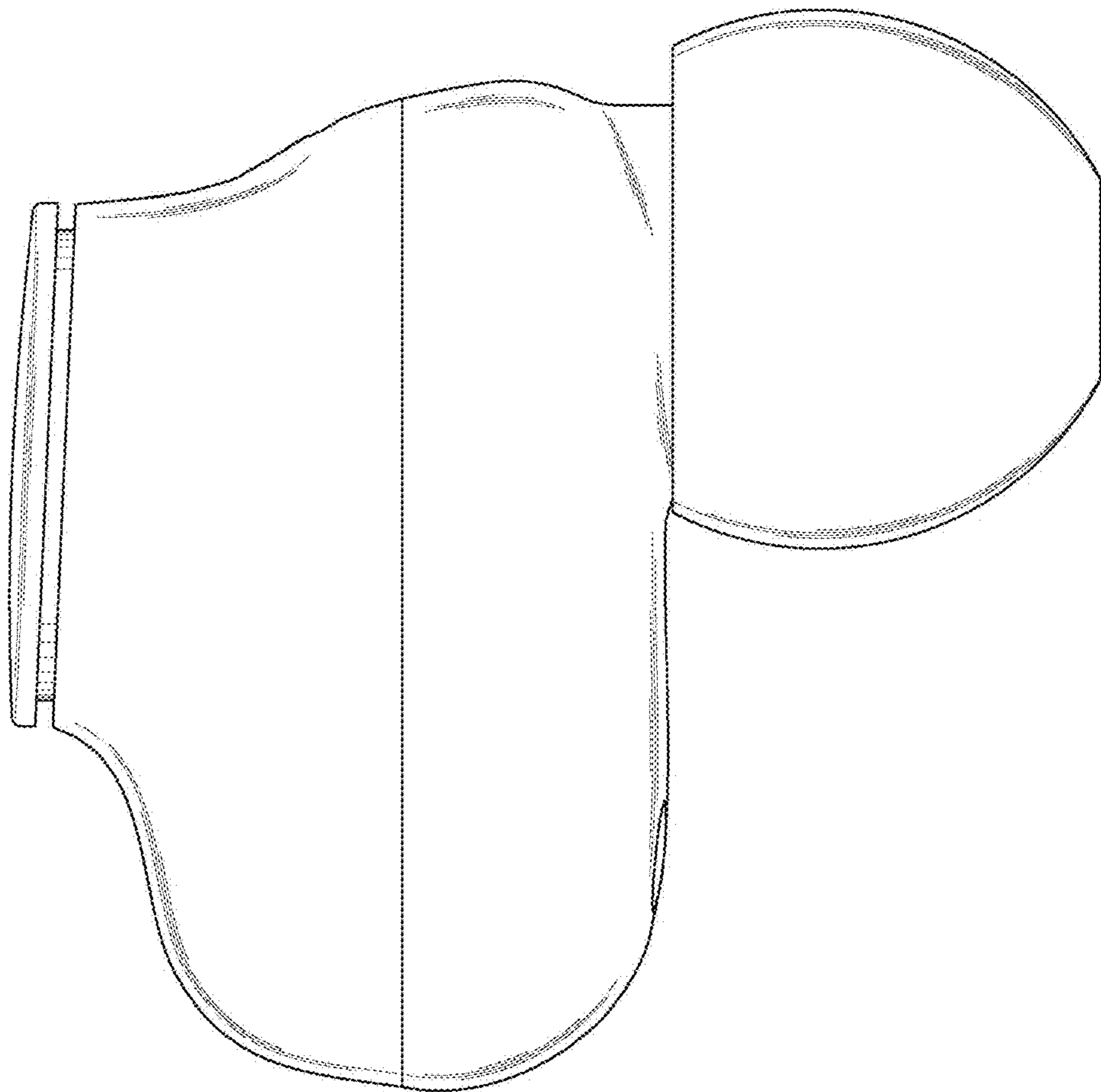
1.1



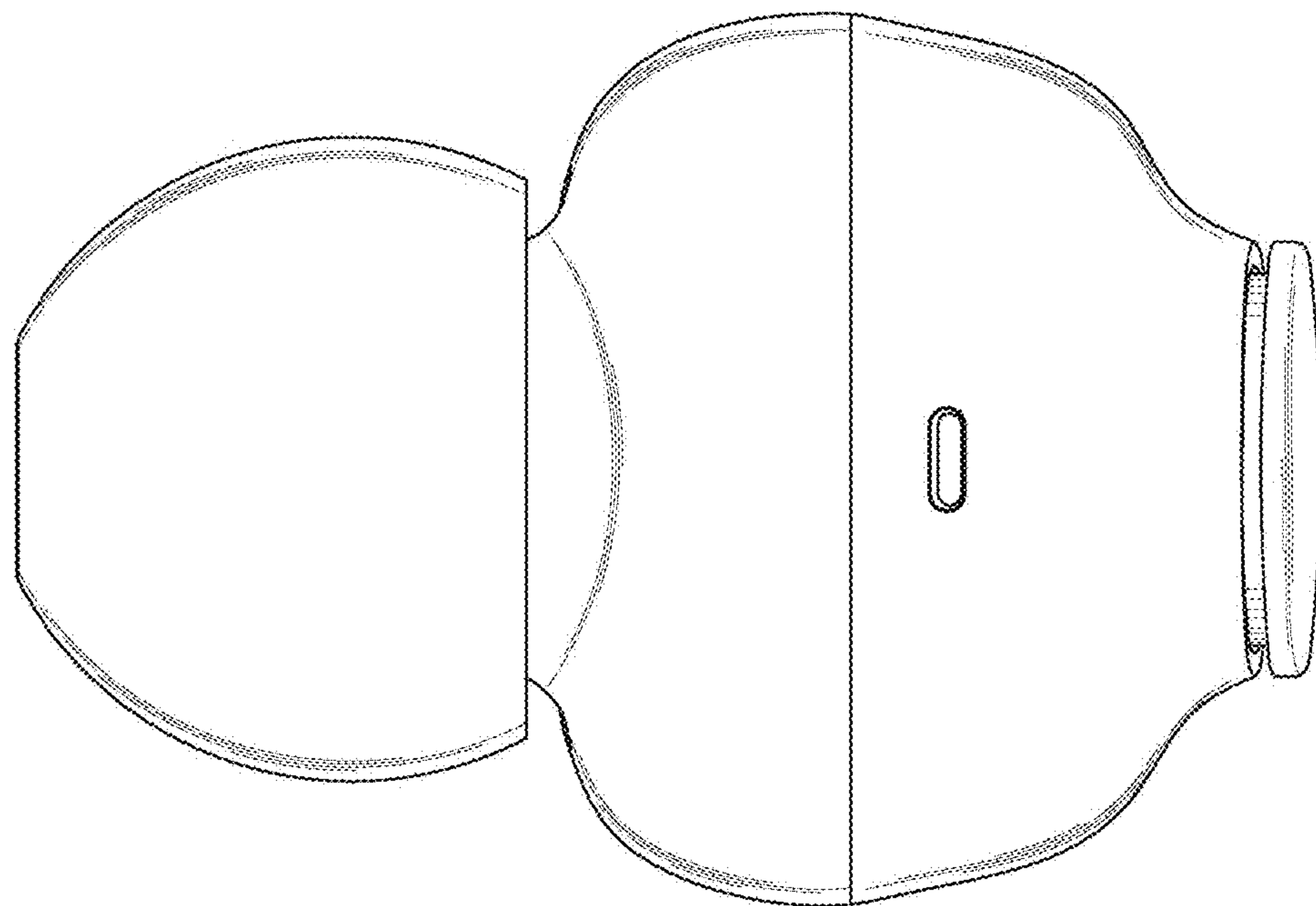
1.2



1.3

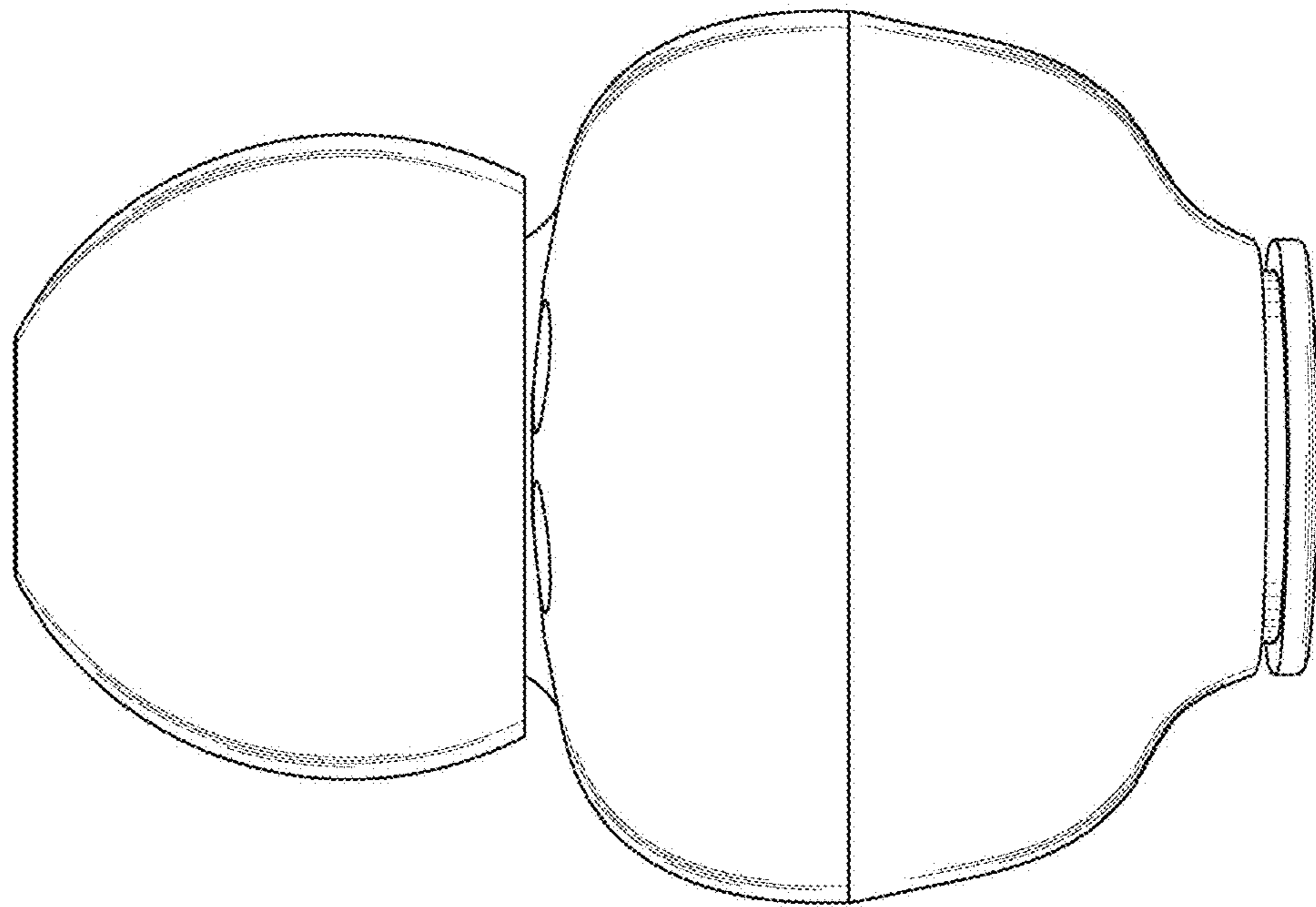


1.4

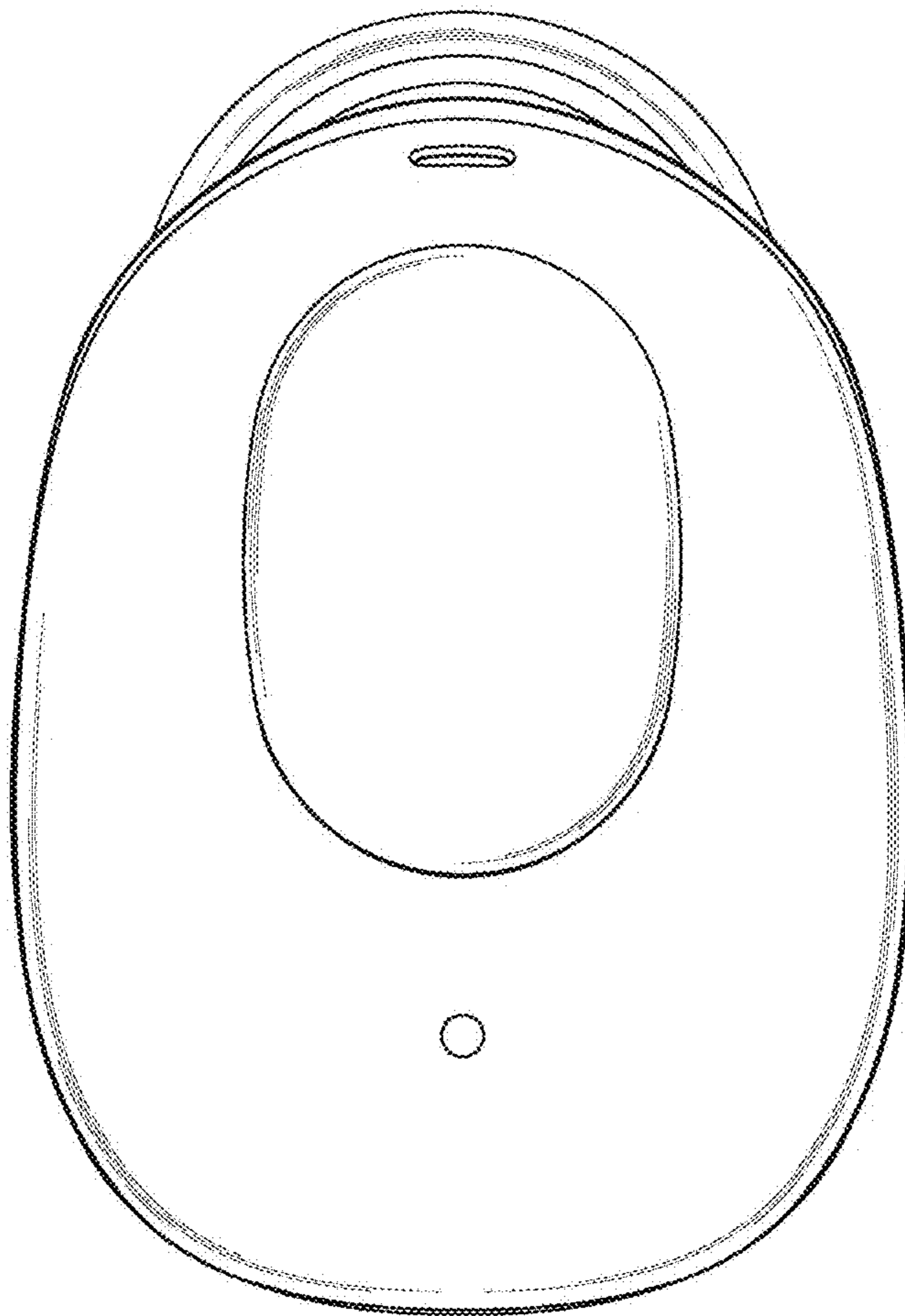




1.5



1.6





1.7

